



ELECTROLUX HOME PRODUCTS PTY LTD
ABN 51 004 762 341

Technical Publication N° DW254

Issue: &
Date: (#/&

WEB SITE ADDRESS: www.partnship.com.au

ELECTROLUX
ELECTRONIC DISHWASHER

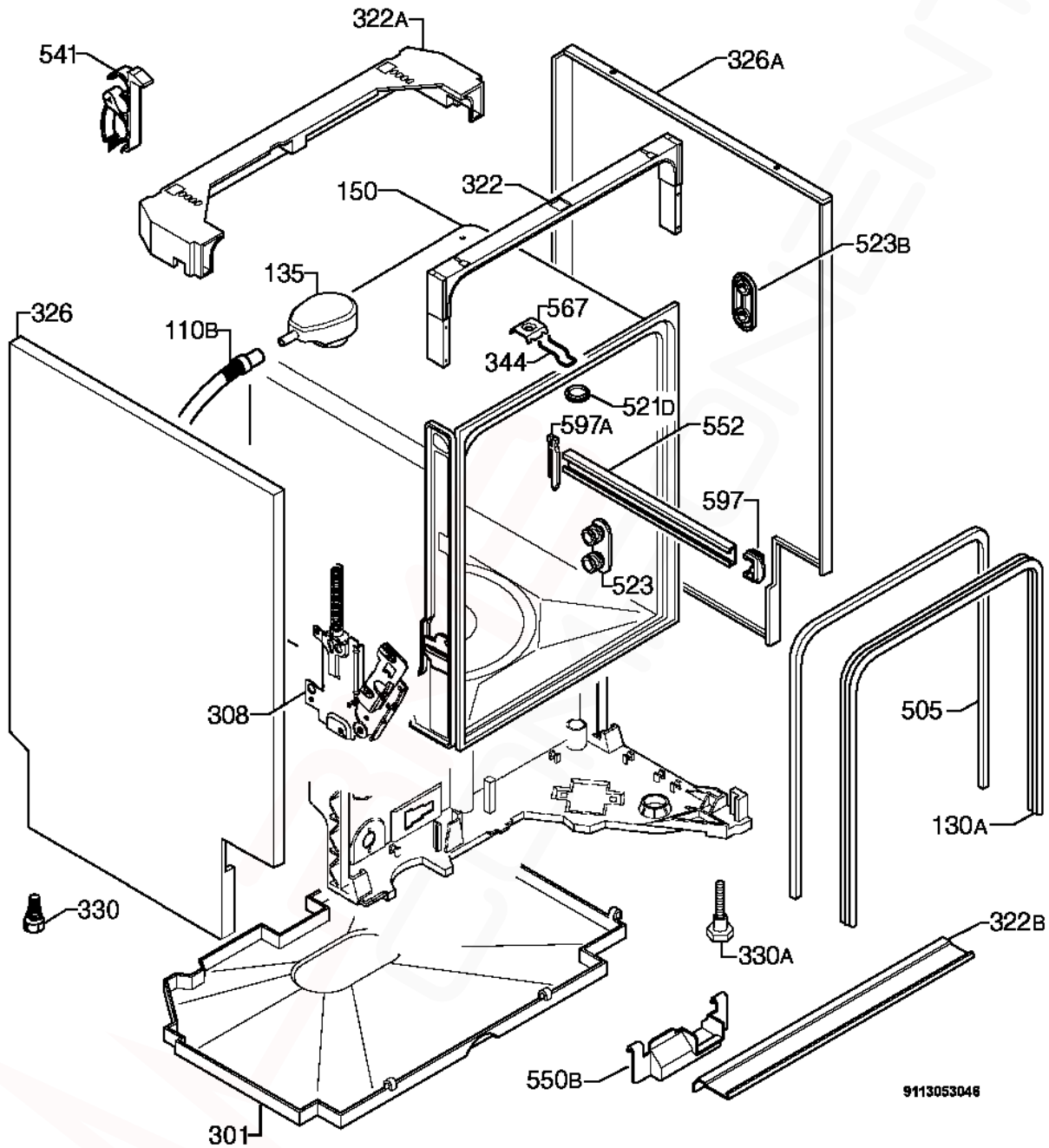
**TO BE USED IN CONJUNCTION WITH
*CIRCUIT and WIRING DIAGRAM PUBLICATION - DW230.***

MODEL:

**ESF65060X
PNC 911915621 01**

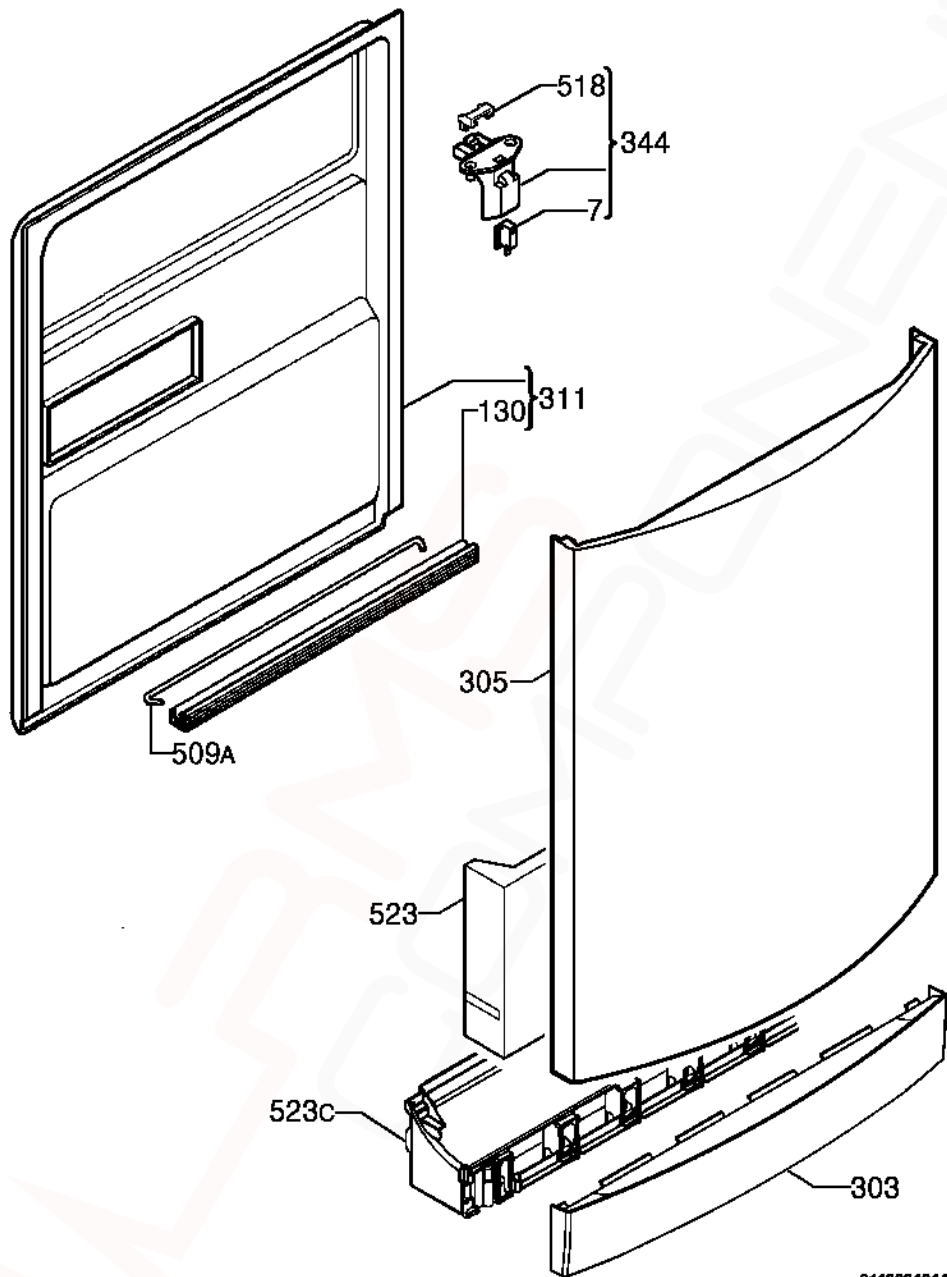
VARIANT CHANGE SUMMARY	
01	Door Seal, Door Hinge Assembly (new), Crossbar Front Upper

First Release Dates:	
ESF65060X / 911915621 01	03/04/2009



9113053046

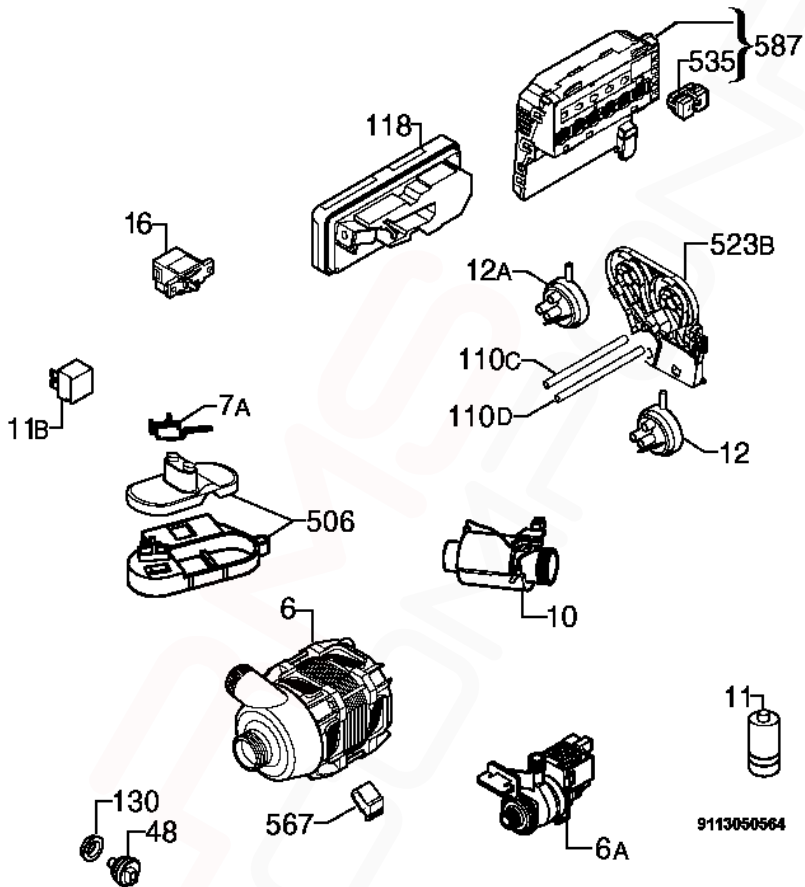
ITEM	PART N°	DESCRIPTION	Ex. 9113053046	QTY
110B	1527937-01/3	Tube Drying x 680mm Long		1
130A	1171265026	Sealing Outer x 1730mm Long		1
135	1171458-10/0	Air Guide ACTIVE DRYING		1
150	N.P.A.	Tub		-
301	1526298-07/8	Bottom Cabinet		1
308	4055031332	Kit Door Hinge Right-Left		1
322	1525280358	Crossbar Front Upper		1
322A	1170350-01/9	Crossbar Back Upper		1
322B	1527256-10/9	Crossbar Front Bottom		1
326	1170380214	Side Panel Left Silver		1
326A	1170380313	Side Panel Right Silver		1
330	1521870-01/2	Adjustable Foot		2
330A	1527992026	Adjustable Foot Front 30mm		2
344	1522344-05/8	Latch		1
505	1526715-01/4	Trimming Tub White x 1710mm Long		1
521D	1526576-00/2	Hole Cover Latch		1
523	50299970009	Wheel Support Kit Dark Grey (Pack of 4)		1
523B	1521220-10/1	Stiffening Holder Roller		4
541	1526417-00/9	Hose Clamp		1
550B	1522345-03/0	Wiring Protection		1
552	1170542-00/3	Rail Basket Upper		2
567	1523236-03/0	Plaque (Speed Clip)		1
597	1520479-30/2	Basket Stop Front Dark Grey		2
597A	8996461234-05/7	Stopper Back Dark Grey		2
N.I.	50282092-00/1	Fixing Clip Stud (4 Pieces)		1



9113031014x

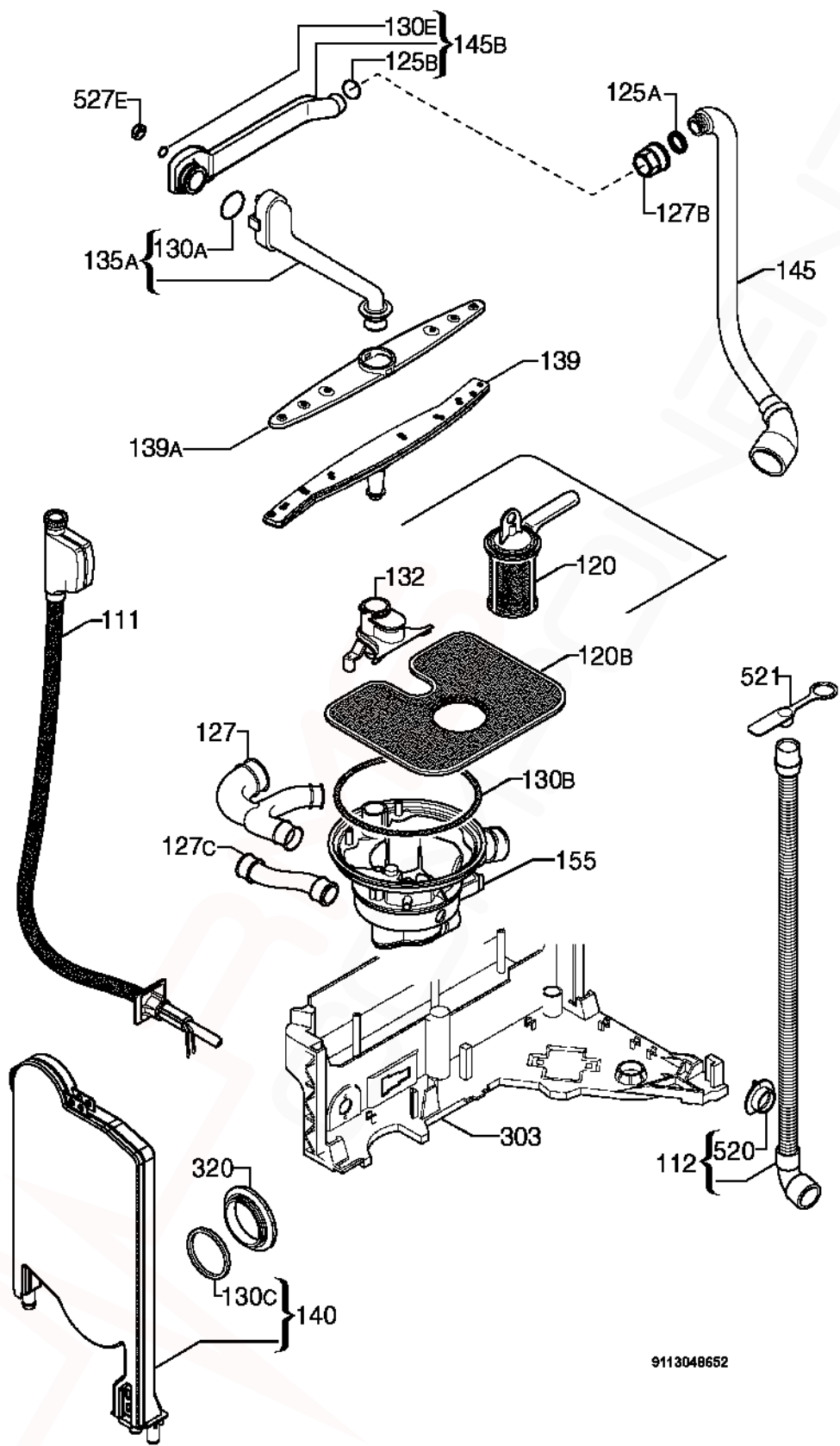
MODEL: ESF65060X**PNC 911915621 01****EX. VIEW 9113031014
DOOR COMPLETE
ASSEMBLY**

ITEM	PART N°	DESCRIPTION Ex. 9113031014	QTY
7	50287927-00/3	Microswitch Door	1
130	1527401-00/2	Door Gasket Bottom Black x 550mm Long	1
303	1172007211	Plinth Inox	1
305	1170377418	Door Inox	1
311	50290200-00/0	Inner Door Complete	1
344	1170364002	Latch Bridging Plug Complete	1
509A	1520419-14/2	Tie Hinge	1
518	1526414-02/2	Bridge Door Lock	1
523	1170376006	Stiffening Door	1
523C	1170374027	Support Plinth	1
N.I.	50279682004	Plaque (Speed Clip)	1



9113050564

ITEM	PART N°	DESCRIPTION Ex. 9113050564	QTY
6	50299965009	Washing Motor Tachometric 2800 RPM	1
6A	1528261-02/5	Drain Pump 50Hz	1
7A	1520393-11/5	Microswitch Anti-overflow	1
10	50297618-00/6	Heating Element 230V/2000W Ø32mm	1
11	50287485-00/2	Running Capacitor Shank	1
11B	0144400042	Interference Suppressor	1
12	1528189-02/8	Pressure Switch Level 65/45	1
12A	1528189-12/7	Pressure Switch Safety 123/98	1
16	1111433-00/7	Main Switch (O/I)	1
48	1113160004	Temperature Sensor Turbidity Sensor	1
110C	1170450-40/5	Tube Pressure Switch Safety x 515mm Long	1
110D	1170450-51/2	Tube Pressure Switch Level x 525mm Long	1
118	50285882-00/2	Kit Dispenser Detergent	1
130	0208400152	Sealing Sleeve Temperature Sensor	1
506	50297120-00/3	Kit Support Float	1
523B	1170351-00/9	Mount Pressure Switch	1
535	1529380-00/6	Display	1
567	1171934019	Motor Bracket Buffer	1
587	973911915621016	Configured Electronic EDW1500	1
N.I.	1170598-00/5	Sponge Drain Pump "L"	1
N.I.	1170862-31/0	Power Cable AUS/NZ	1
N.I.	1526491-01/2	Electric Cable Anti-overflow Gasket	1
N.I.	1527921611	Harness Complete	1

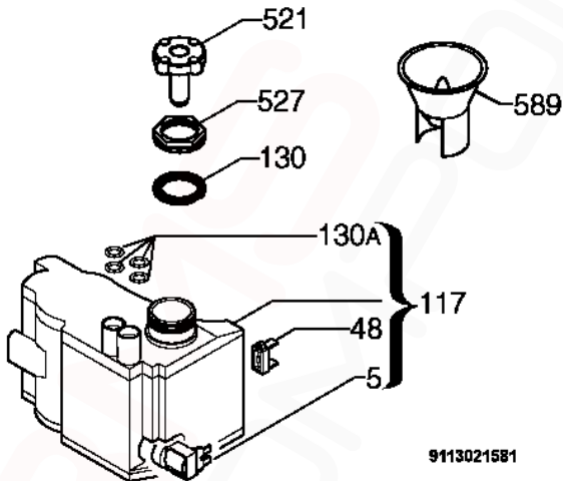


ITEM	PART N°	DESCRIPTION Ex. 9113048652	QTY
111	50295663-00/4	Inlet Hose Water Block x 1800mm Long	1
112	1526492424	Discharge Pipe Complete x 2230mm Long	1
120	50297774-00/7	Drain Filter Complete Light Grey	1
120B	1528918-00/4	Dish Sieve Inox	1
125A	50282650-00/6	O-Ring Manifold Outer	1
125B	50227938-00/3	O-Ring Manifold Inner	1
127	1118796208	Pipe Union Y	1
127B	1523118-20/4	Pipe Union Manifold Dark Grey	1
127C	1526716-01/2	Pipe Union Decalcifier Sump	1
130A	1172041004	Rubber Gasket Channel Drainage	1
130B	0208400147	O-Ring Sump	1
130C	50659231-00/0	Round Seal Container Cup	1
130E	1522802-00/6	Sealing Strip	1
132	0012400051	Column Support Lower Spray Arm	1
135A	1170370025	Channel Drainage Dark Grey Complete (not as illustrated)	1
139	1118136702	Spray Arm Bottom Dark Grey	1
139A	1118949500	Upper Spray Arm Dark Grey	1
140	1170481-00/4	Container Cup Small Electronic	1
145	1528059-00/7	Manifold Outer Ø32mm	1
145B	1172029017	Manifold Horizontal Dark Grey (not as illustrated)	1
155	1527957110	Sump Pipe Union Complete	1
303	1526292-09/7	Basement	1
320	1526272-10/7	Grill Vapour Outlet Dark Grey	1
520	N.P.A.	Flange Discharge Pipe	-
521	N.P.A.	Stopper Drainage Hose	-
527E	50286080-00/2	Nut Water Distributor	1
N.I.	1529175109	Fixing Clamp Sensor	1
N.I.	4055034963	Service Kit Electric Cable Sensor	1
N.I.	1172041004	Seal Channel Drainage	1

If a Customer needs to extend their Drain Hose, order the following components:
0571400142 Hose Drain (2M length), 0182200002 Ferrule Hose Joiner (19mm)
and 2 x 0005001019 Clamp.

For extensions less than 2 metres, use ES5323K Kit Hose Flex Drain (1M)

NOTE: Total Drain Hose length must not exceed 4 metres.

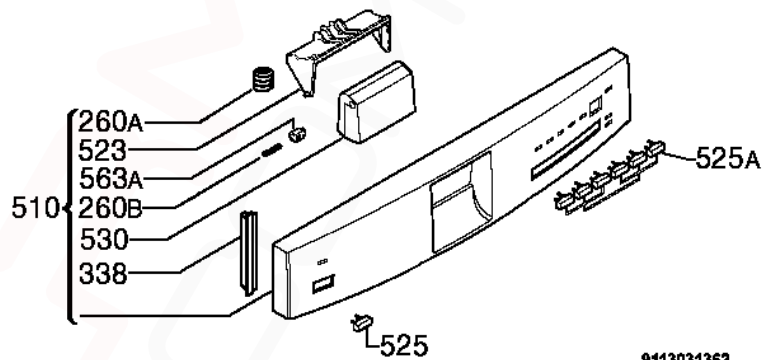
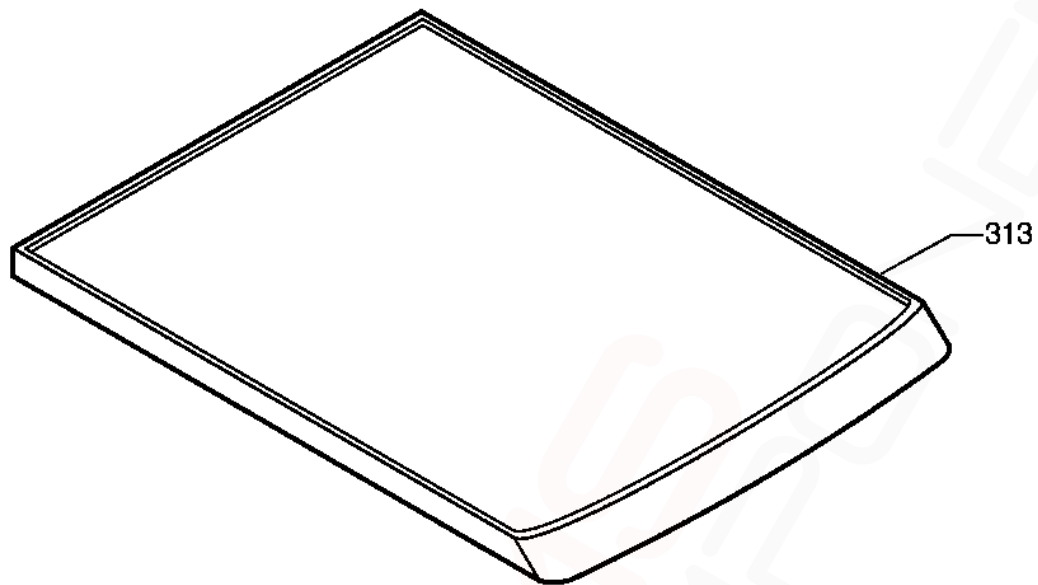


9113021581

9113021581

MODEL: ESF65060X**PNC 911915621 01****EX. VIEW 9113021581
REGENERATION TANK
ASSEMBLY**

ITEM	PART N°	DESCRIPTION	Ex. 9113021581	QTY
5	1528765-01/7	Regeneration Electric Valve Water Softener		1
48	1528882-01/0	Salt Sensor Decalcifier		1
117	50286081-00/0	Decalcifier		1
130	1521128-10/6	Gasket Decalcifier		1
130A	1526505-00/1	Grommet Decalcifier		4
521	1526411-00/2	Stopple Decalcifier		1
527	1526449-10/1	Ring Nut Decalcifier Dark Grey		1
589	1172107300	Filling Funnel Dishwasher Salt Transparent		1



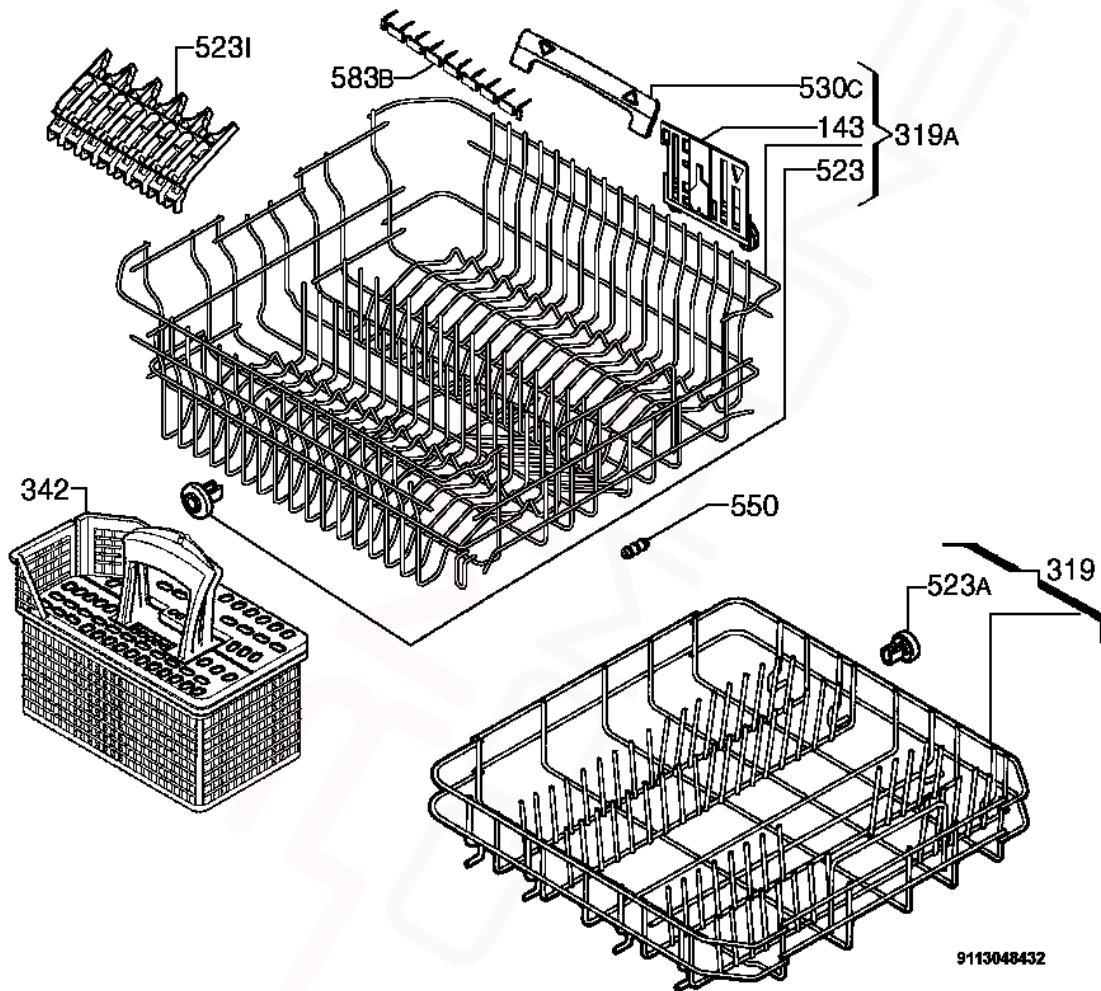
9113031362

9113031362x

MODEL: ESF65060X**PNC 911915621 01****EX. VIEW 9113031362
PANEL TOP and
CONTROL PANEL ASSEMBLY**

ITEM	PART N°	DESCRIPTION	Ex. 9113031362	QTY
260A	1171020009	Spring Handle		1
260B	1527808008	Spring Side Handle		1
313	1171793316	Work Top		1
338	1525578-80/1	Side Plate Grey		2
510	1171819608	Control Panel Silkscreened Complete		1
523	1170464026	Handle Bracket		1
525	1528655-30/9	ON/OFF Button Inox		1
525A	1118779-19/6	Wash Mode Button Inox		1
530	1172470203	Handle Control Panel Inox		1
563A	1527582009	Pin Handle		1

NOTE: In cases where the Work Top has been removed for under counter installation, supply 2 x **1170209-00/9 BRACKET FIXING TOP** and 1 x **ES6060 KIT TAPE FOIL STEAM PROTECTION** (NOT supplied in original pack)



9113048432

9113048432

MODEL: ESF65060X**PNC 911915621 01****EX. VIEW 9113048432
BASKET ASSEMBLY**

ITEM	PART N°	DESCRIPTION	Ex. 9113048432	QTY
143	1172121004	Adjustment Dishwasher Basket Right		1
319	1170652-60/4	Dishwasher Basket Bottom Dark Grey		1
319A	1170456345	Dishwasher Basket Upper Dark Grey		1
342	1118401502	Cutlery Basket Complete Dark Grey		1
523	4071342564	Wheel Upper Basket Complete		2
523A	50286965-00/4	Wheel Kit Dark Grey (8 Pieces)		1
523I	1118886702	Rack Cup Dark Grey		4
530C	4071354775	Handle Side Complete		1
550	8996461804602	Rubber Buffer Dishwasher Basket Upper		2
583B	1118902707	Spacer Dark Grey		4