



**ELECTROLUX HOME PRODUCTS PTY LTD**  
ABN 51 004 762 341

Technical Publication N° RH1016

Issue: 4  
Date: 03/17

# ***ELECTROLUX DOMESTIC 60cm HOUSEHOLD SINGLE BLOWER RETRACTA RANGEHOOD***

CONTENTS	PAGE N°
COMPLETE ASSEMBLY	2 & 3
WIRING DIAGRAM, LEGEND & CIRCUIT DIAGRAM	4

NOTE: In Parts Listings

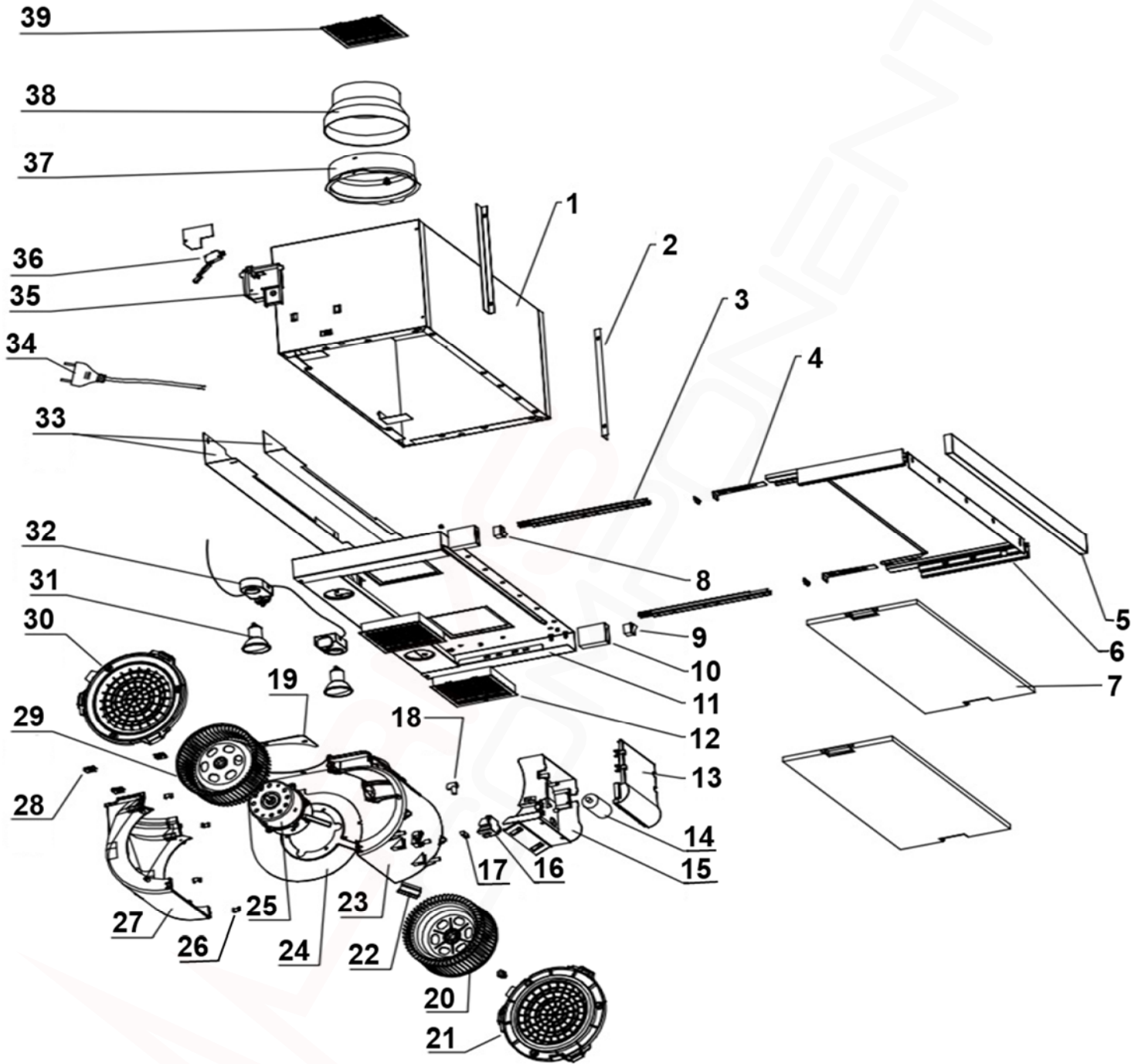
N.I. = Not Illustrated  
N.P.A. = No Part Available  
N.P.N. = Not Used on this Model

**MODEL:**

**ERR627SA**

**PNC:**

**956002167 00**



ITEM	PART N°	DESCRIPTION	Ex. 8299	QTY
1	N.P.A.	CASING METAL - SILVER		-
2	55001635	BRACKET SUPPORT BODY - SILVER		2
3	20110869	RAIL SLIDE		2
4	20110722	BRACKET STOP DRAWER		2
5	20110725	HANDRAIL 40 x 600mm - INOX		1
6	55000055	DRAWER 60cm		1
7	E653085	FILTER METAL 4 LAYER RETRACTA 600		2
8	20110861	SWITCH MOTOR 3 POSITION		1
9	20110859	SWITCH LIGHT 2 POSITION		1
10	20110858	HOUSING SWITCH - TF2003		2
11	N.P.A.	CASING METAL - SILVER		-
12	02825263	FILTER - ACTIVE CARBON		2
13	60704070	COVER BOX CONNECTION		1
14	62100515	CAPACITOR 5.5µf		1
15	60704065	BOX CONNECTION BT2		1
16	60704100	CLAMP MOTOR CABLE		1
17	N.P.A.	CONNECTION PIECE		-
18	N.P.A.	BRACKET BOX CONNECTION		-
19	N.P.A.	REFER ITEM 25		-
20	N.P.A.	REFER ITEM 25		-
21	N.P.A.	REFER ITEM 25		-
22	N.P.A.	REFER ITEM 25		-
23	N.P.A.	REFER ITEM 25		-
24	N.P.A.	REFER ITEM 25		-
25	64900325	MOTOR ASSEMBLY 230V 50HZ		1
26	N.P.A.	REFER ITEM 25		-
27	N.P.A.	REFER ITEM 25		-
28	N.P.A.	REFER ITEM 25		-
29	N.P.A.	REFER ITEM 25		-
30	N.P.A.	REFER ITEM 25		-
31	69400980	LAMP LED (WHITE LIGHT) GU10-4W		2
32	15107000	HOLDER LAMP HALOGEN GU10		1
33	55001680	SUPPORT HOOD 60CM		1
34	E601025	CORD POWER SAA (AUS)		1
35	20110702	HOUSING SWITCH MICRO		1
36	20110701	SWITCH MICRO		1
37	60700935	ADAPTOR FLUE Ø150		1
38	02893001	FLUE TRANSITION ASSY Ø120/Ø150		1
39	20110862	FILTER GRID		2