



ELECTROLUX HOME PRODUCTS PTY LTD
ABN 51 004 762 341

Technical Publication N° RH1003

Issue: 2
Date: 8/17

ELECTROLUX DOMESTIC 500mm HOUSEHOLD INTEGRATED RANGEHOOD

CONTENTS	PAGE N°
RANGE HOOD BODY ASSEMBLY	2 & 3
MOTOR ASSEMBLY	4 & 5
LAMP ASSY	6 & 7
CIRCUIT DIAGRAM	8

NOTE: In Parts Listings

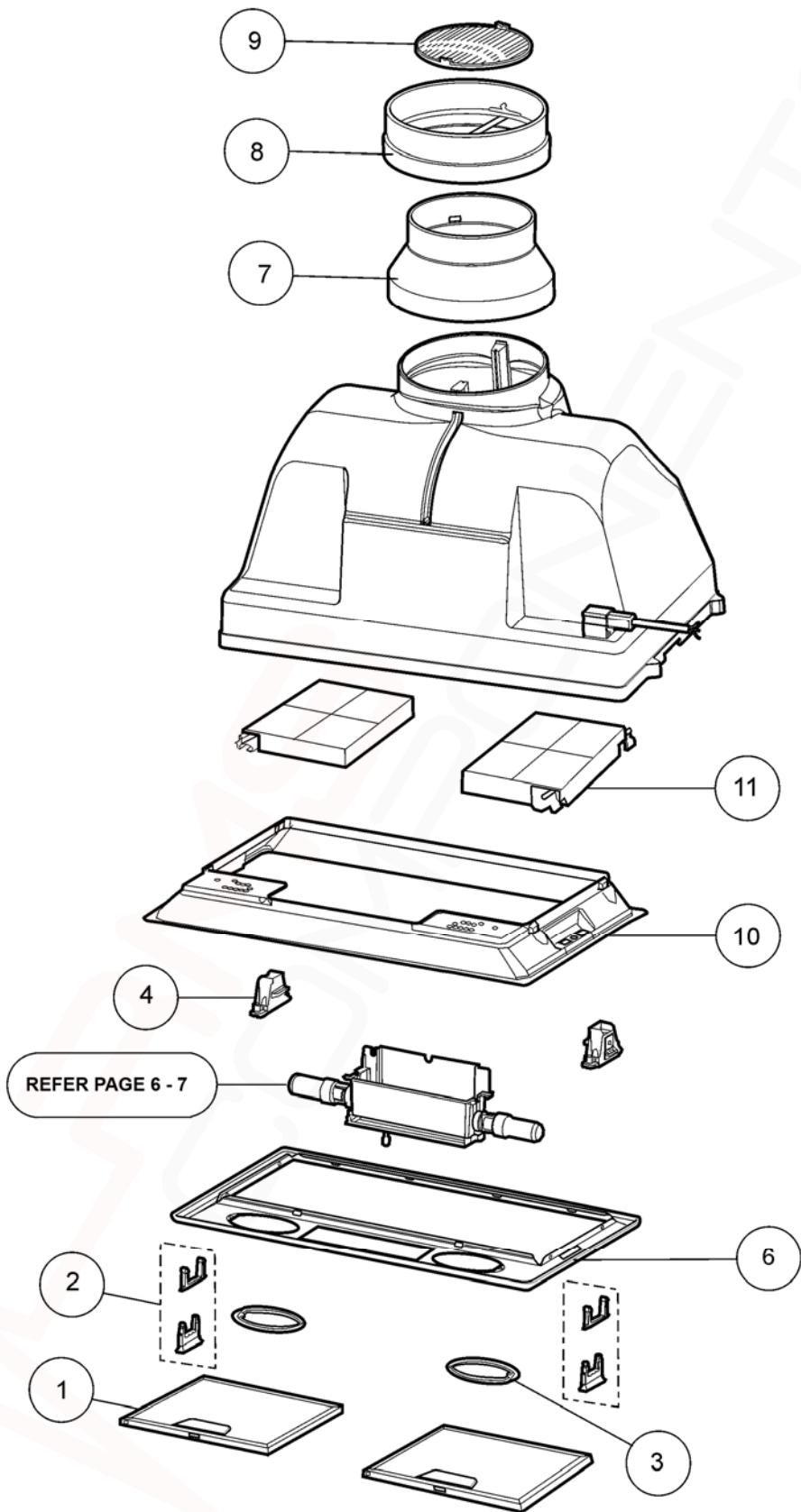
N.I. = Not Illustrated
N.P.A. = No Part Available
N.P.N. = Not Used on this Model

MODEL:

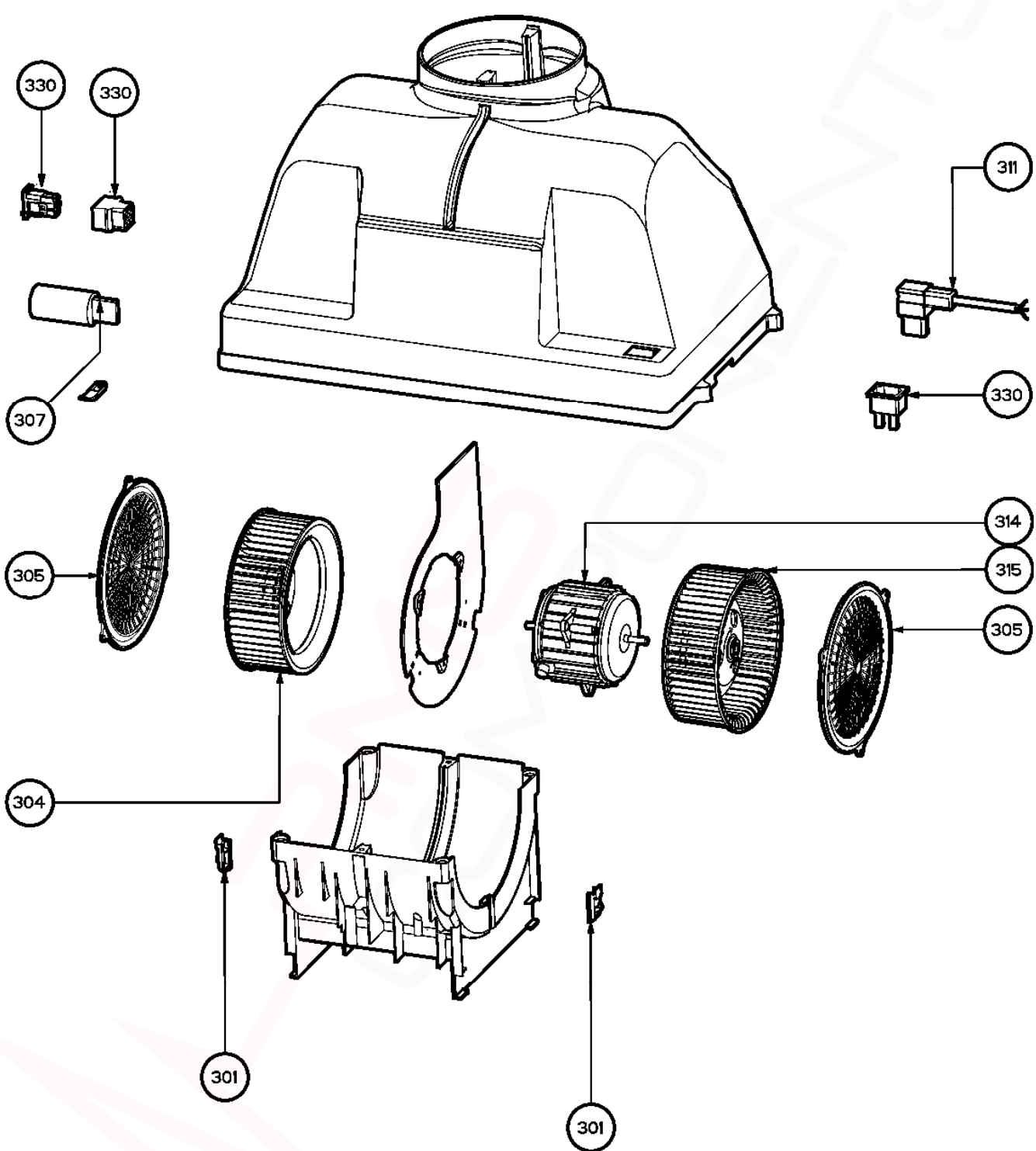
ERI512SA

PNC:

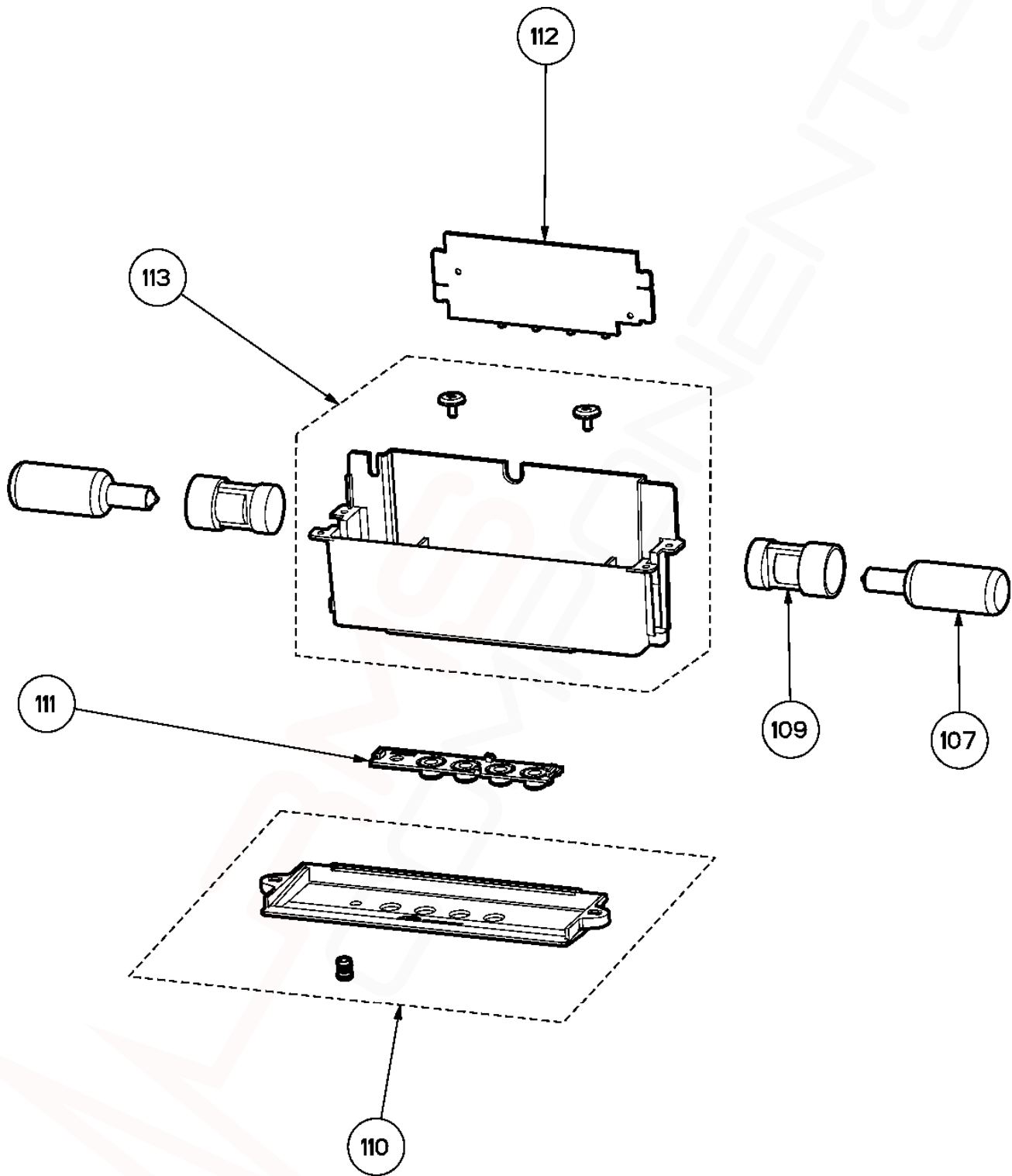
942001296 00



ITEM	PART N°.	DESCRIPTION	Ex VIEW 8325	QTY
1	1330017055	FILTER METAL - 237x189.5		2
2	1330064071	CLIP RETAINING		1
3	1330058595	LENS DIFFUSER OVAL (2 PCS)		1
4	1330017051	CLIP RETAINING HOOD ASSY (2 PCS)		1
6	1330455754	TRIM SUPPORT FILTER ERI512SA		1
7	1330016959	FLANGE REDUCER Ø150-Ø120 BLK		1
8	1330056646	FLANGE DAMPER Ø150mm		1
9	1330017620	FLANGE GRID Ø125mm		1
10	NPA	COWL HOOD		1
11	50290660-00/5	FILTER CARBON EFF70 (2 PER)		1



ITEM	PART N°	DESCRIPTION	Ex. VIEW 8326	QTY
301	1330065577	CLIP FLANGE		2
304	1330016963	FAN BLOWER LH Ø140		1
305	1330065578	ENDCAP MOTOR BLOWER		2
307	1330071067	CAPACITOR 6.3µF 450V		1
311	1330056373	CORD SERVICE 3x0.75x1500 BLK		1
314	1330455725	MOTOR 220-240V		1
315	1330016962	FAN BLOWER ASSEMBLY RH		1
330	1330051414	KIT CONNECTORS MOTOR ASSEMBLY		1



ITEM	PART N°	DESCRIPTION	Ex. VIEW 8327	QTY
107	1330455757	LAMP LED E14 220V 4W 4000K		2
109	1330016877	SOCKET LAMP HOLDER		2
110	1330455755	PANEL CONTROL ERI512-712SA		1
111	1330184465	PAD KEYBOARD		1
112	1330459470	PCB SWITCHING		1
113	1330085426	SUPPORT HOLDER LAMP		1