



**ELECTROLUX HOME PRODUCTS PTY LTD**  
ABN 51 004 762 341

Technical Publication N° RH080

Issue: 4  
Date: 7/12

***ELECTROLUX***  
***GLASS COOKER HOOD***

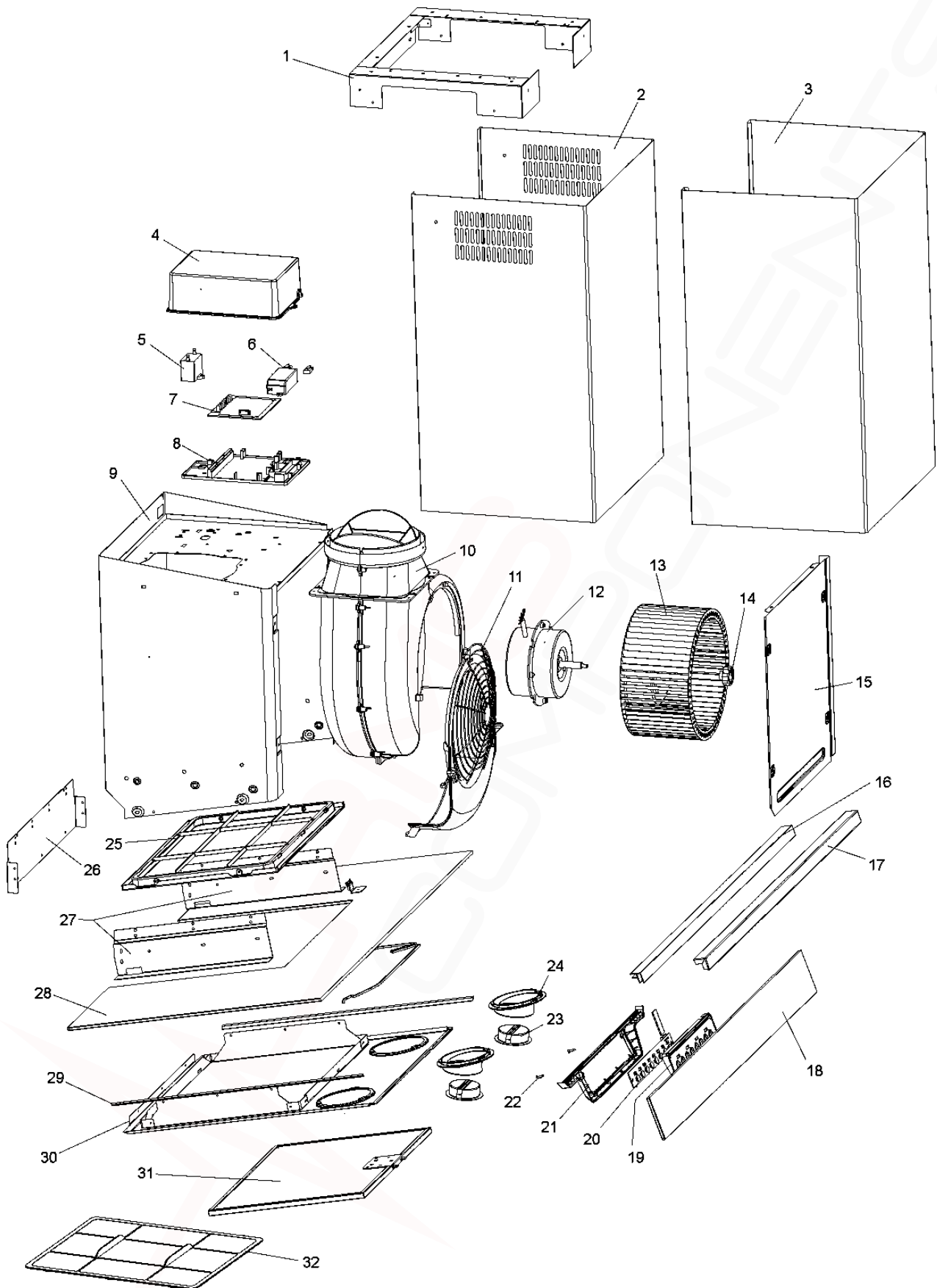
***MODEL:***

**ERCG9030AS**

<b>First Built Dates:</b>	
<b>ERCG9030AS</b>	01/04/2009

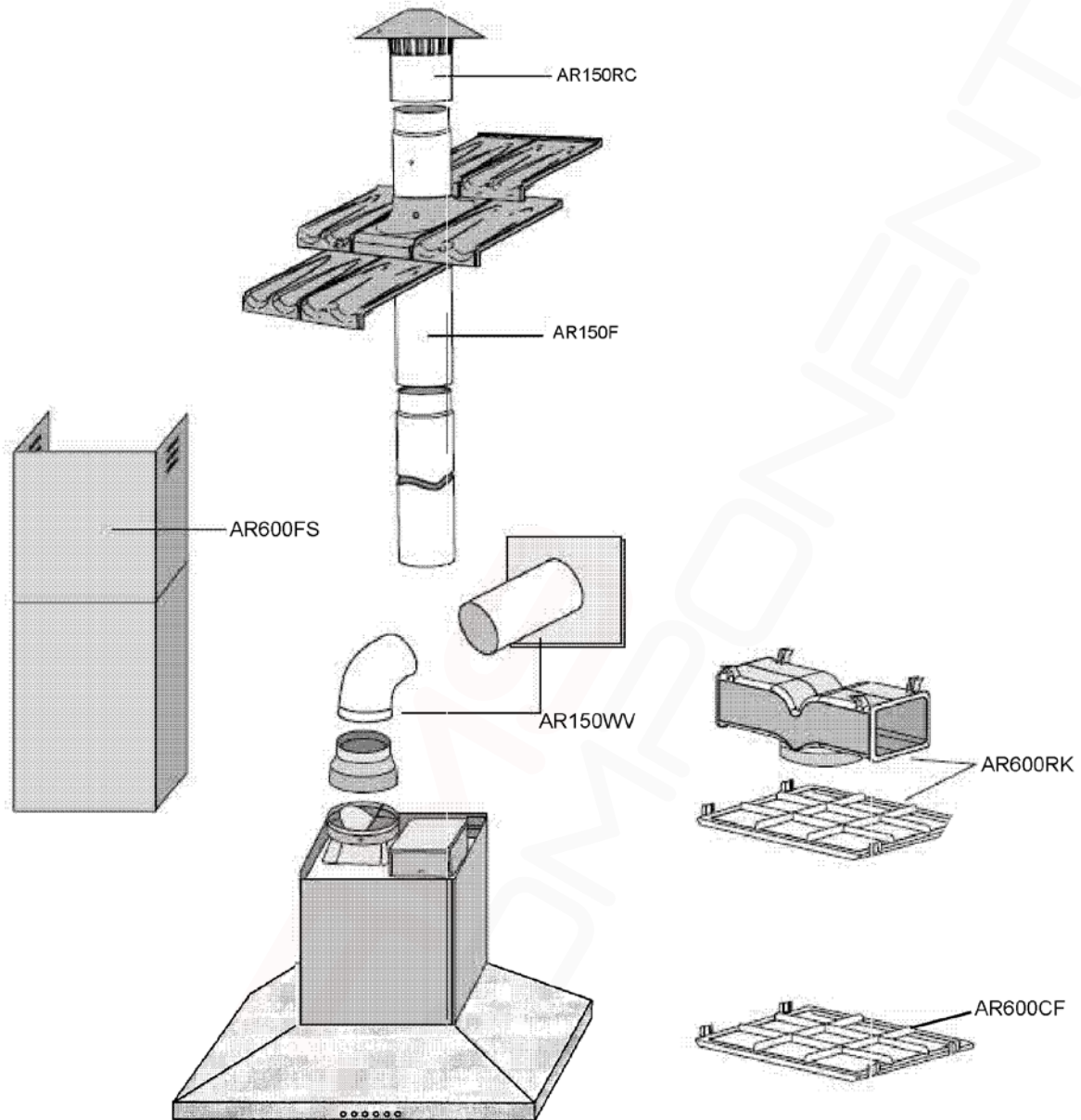
MODEL: ERCG9030AS

EX. VIEW DRAWING 6889  
COMPLETE ASSEMBLY



ITEM	PART N°	DESCRIPTION	Ex. 6889	QTY
1	<b>305415601</b>	Exhaust Cover Bracket Welding Assy		1
2	<b>305455103</b>	Top Exhaust Cover		1
3	<b>305454803</b>	Bottom Exhaust Cover		1
4	<b>305410400</b>	Wiring Box Cover		1
5	<b>305397500</b>	6µf Capacitor		1
6	<b>305356300</b>	Transformer		1
7	<b>305397604</b>	Main P.C.B.		1
8	<b>305410300</b>	Wiring Box Base		1
9	<b>305400502</b>	Fan Box Welding Assy		1
10	<b>305401200</b>	Fan Housing Subassembly		1
10a	<b>305345800</b>	Damper Fan Housing		1
11	<b>305401700</b>	Front Lower Fan Housing		1
11a	<b>305401800</b>	Guard Wire Fan Housing		1
12	<b>305399401</b>	EU88 High Speed Motor		1
13	<b>305350700</b>	Fan Wheel		1
14	<b>305347300</b>	Fan Fasten Nut		1
15	<b>305402002</b>	Fan Box Cover Weld Assy		1
16	<b>305453800</b>	Al Extrusion - Electrolux		1
17	<b>305468900</b>	St/St Trim Printed		1
18	<b>305453202</b>	Front Glass - Electrolux		1
19	<b>305455400</b>	PCB Box - Electrolux		1
20	<b>305467700</b>	Touch PCB For PBG		1
21	<b>305455800</b>	Electronic Housing		1
22	<b>305467600</b>	Screw (St2.913)		2
23	<b>305354506</b>	Halogen Lamp		2
24	<b>305453700</b>	Halogen Housing		2
25	<b>305455300</b>	Carbon Filter Support		1
26	<b>305454602</b>	Fan Box Back Cover		1
27	<b>305453501</b>	Glass Bracket - Right		1
	<b>305453502</b>	Glass Bracket - Left		1
28	<b>305453300</b>	Top Glass - Electrolux		1
29	<b>305411500</b>	Light Panel Seal		2
30	<b>305453400</b>	Light Panel Welding Assy		1
31	<b>305467401</b>	Mesh Filter Sub Assy (Long Slots)		1
<b>32</b>	<b>AR600CFG</b>	<b>Carbon Filter Kit</b>		-
N.I.	<b>305407500</b>	BRACKET MOUNTING		2
N.I.	<b>305357600</b>	Tube Reduction Collar 165mm – 150mm		1
N.I.	<b>AR600RKG</b>	Recirculation Kit		-
N.I.	<b>AR600FSG</b>	Flue Extension Kit (1200mm)		-

Optional ducting accessories



NOTE: Accessories are to be purchased separately

PART N°	DESCRIPTION
AR150RC	Ø150mm G/Bond Roof Cowl
AR150F	Ø150mm G/Bond Flue 1200mm
AR150FD (not illustrated)	Ø150mm Aluminium Flexi Duct x 1 Meter Long
AR150WV	Ø150mm Wall Vent + Flexi Duct
AR600RK	Recirculating Kit (inc. Carbon Filter Mat)
AR600CF	Replacement Carbon Filter Mat
AR600FS	St/Steel Exhaust Cover Extension 1200mm Long