



ELECTROLUX HOME PRODUCTS PTY LTD
ABN 51 004 762 341

Technical Publication N° RH091

Issue: 1
Date: 6/11

WEB SITE ADDRESS: www.partnship.com.au

ELECTROLUX
CANOPY COOKERHOOD

MODEL:

ERCE9200AS
PNC 942116122 00

CONTENTS	PAGE N°
CONTENTS and FIRST BUILD DATES	2
FLUING ACCESSORIES and CLEANING GREASE FILTERS	3
GENERAL ASSEMBLY	4 & 5
INSTRUCTION - FRONT GLASS PANEL REMOVAL LEFT and RIGHT	6

NOTE: In Parts Listings

N.I. = Not Illustrated
N.P.A. = No Part Available
N.P.N. = Not Used on this Model

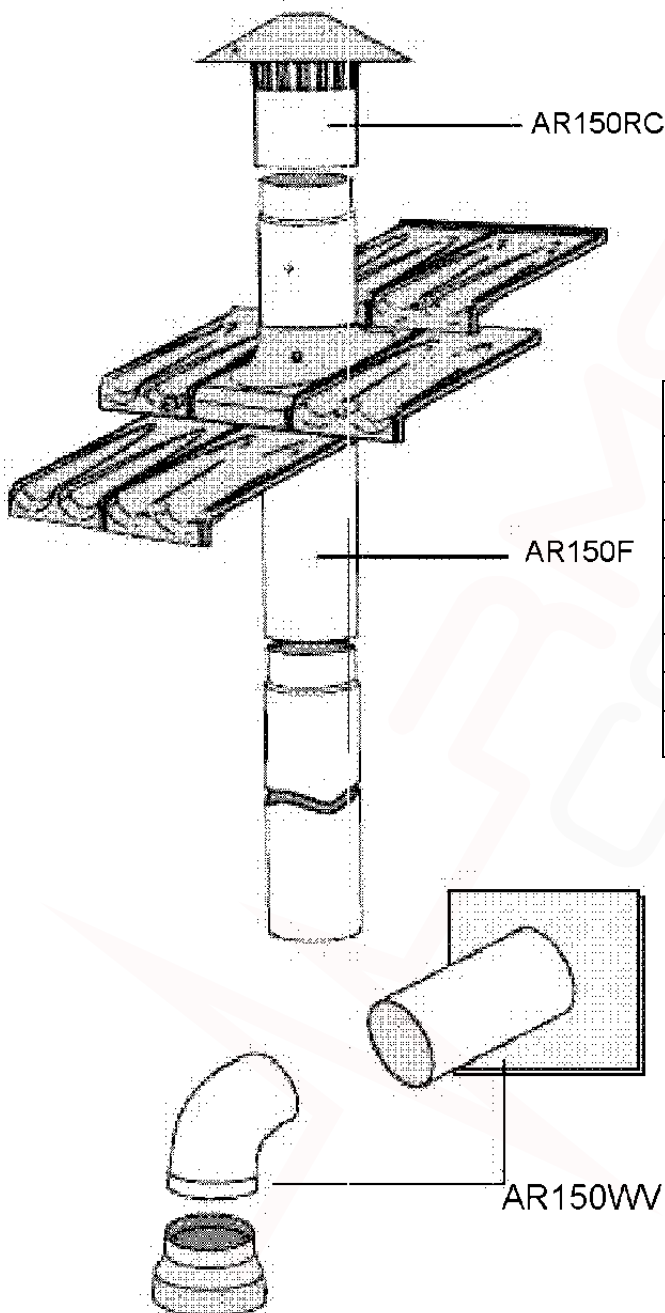
First Built Dates:	
ERCE9200AS - 942116122 00	1 st Aug 2011

CLEANING GREASE FILTERS

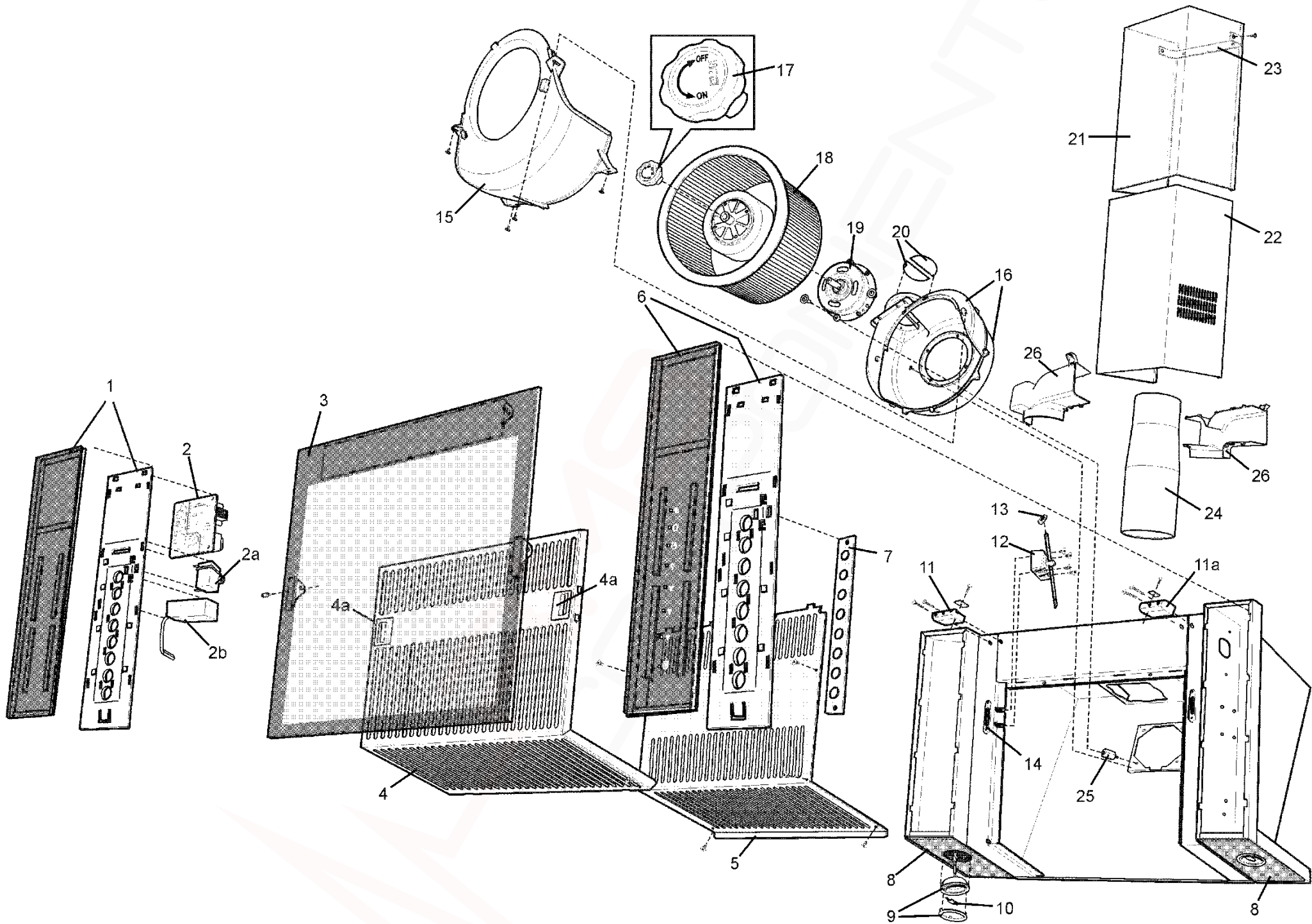
The filters can be cleaned by hand or dishwasher in warm soapy water.

By hand – Soak in warm water and some washing up liquid. For stubborn grease stains use a soft nylon brush to help remove these stains. After cleaning ensure that the filters are completely dry before refitting.

In a dishwasher – Ensure that placement of the filters is made so as to not impede the function of the spray arm. Filters should be washed separately to crockery and other kitchen utensils. After cleaning ensure that the filters are completely dry before refitting.



PART N ^o .	DESCRIPTION
AR150RC	150mm G/Bond Roof Cowl
AR150F	150mm G/Bond Flue 1200mm
AR150WV	150mm G/Bond Wall Vent + Flexi Duct
AR150FD	150mm Flexi Duct
AR150FJ	150mm Flue Joiner
3055290	Cover Flue Extension
AR9200RK	Recirculating Kit ERCE9200AS
AR9200CF	Replacement Carbon Mat Filter



MODEL: ERCE9200AS

PNC 942116122 00

EX. VIEW 7652
GENERAL ASSEMBLY

ITEM	PART N°.	DESCRIPTION	Ex. View N°. 7652	QTY
1	305528701	Glass Front Wing/Elect Mount Assy L/H		1
2	305397604	Main PCB		1
2a	305397500	Capacitor		1
2b	305356300	Transformer Lamp		1
3	305512200	Front Glass Door Assembly		1
4	305512100	Outer Filter Assy (inc. Item 4a)		1
4a	ES6070	Kit Filter Clip Components (1 set per kit)		2
5	305512700	Inner Filter (Painted)		1
6	305528702	Glass Front Wing & Elect Mount Assy R/H		1
7	305467700	Switch PCB		1
8	305528800	Bottom Glass & Light Brkt Assy		2
9	305354515	Halogen Lamp Assy		2
10	64425	Halogen Globe (Inc. Item 9)		2
11	305508300	Hinge Aluminium - L/H		1
11a	305508301	Hinge Aluminium - R/H		1
12	305510700	Stay Assembly		2
13	305510300	Rubber Stop		2
14	305509800	Face Plate - Stay		2
15	305401700	Front Lower Fan Housing		1
16	305401300	Back Fan Housing		1
	305401400	Front Upper Fan Housing		1
17	305347300	Fan Fastening Nut		1
18	305510200	Fan Wheel Modified		1
19	305508100	Motor Assembly		1
20	305345800	Damper		2
21	305510600	Top Flue Cover		1
22	305507001	Bottom Flue Cover		1
23	305511400	Ceiling Bracket		1
24	305412301	Exhaust Duct Subassembly		1
25	305508200	Motor Step-Off		4
26	AR9200RK	Recirculation Kit ERCE9200AS (Flue Accessory)		1
N.I.	305419501	Connecting Wire Lamp 2		1
N.I.	305419400	Connecting Wire Lamp 1		1
N.I.	305511300	Transformer to Lamp Wire		1
N.I.	305467500	Wiring for Switch PCB		1
N.I.	305346400	Motor Anti-Vibration Rubber		4
N.I.	305508700	Service Cord		1
N.I.	305351800	Clip Base (Clamp Service Cord)		1
N.I.	305351900	Clip (Clamp Service Cord)		1
N.I.	305508600	Motor to PCB Wire		1
N.I.	305508500	Hinge Pin		2
N.I.	305357600	Reduction to 150mm		1