



**ELECTROLUX HOME PRODUCTS PTY LTD**  
ABN 51 004 762 341

Technical Publication N° RH076

Issue: 2  
Date: 7/11

**WEB SITE ADDRESS: [www.partnship.com.au](http://www.partnship.com.au)**

***ELECTROLUX***  
***CANOPY***  
***“E-LINE” SERIES***

***MODEL:***  
**ERCE90AS**

<b>VARIANT CHANGE SUMMARY</b>	
-------------------------------	--

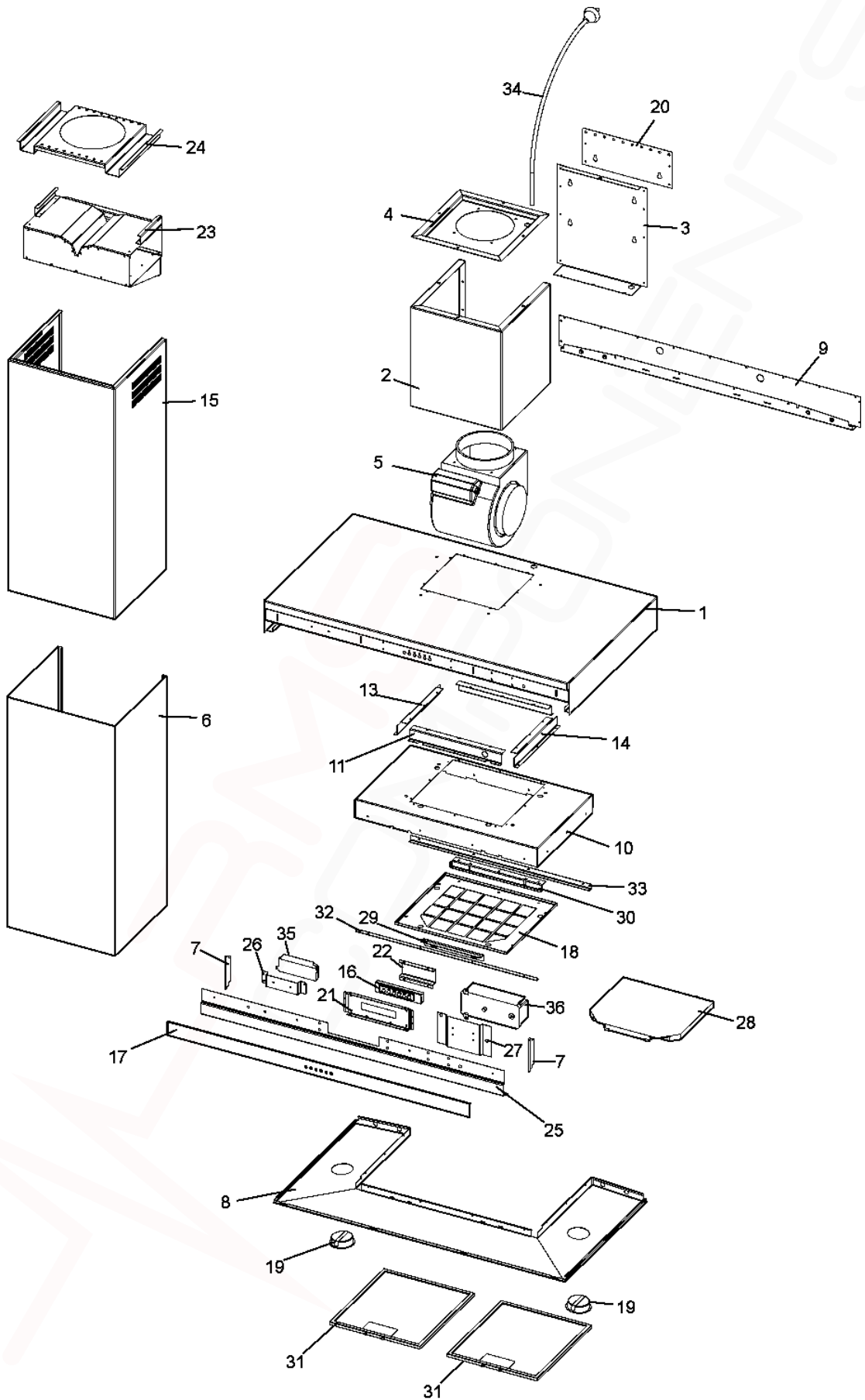
	Introduction
--	--------------

<b>First Built Date:</b>	
--------------------------	--

<b>ERCE90AS</b>	<b>JUNE 2007</b>
-----------------	------------------

MODEL: ERCE90AS

EX. VIEW DRAWING 6080  
E-LINE CANOPY COMPLETE  
ASSEMBLY



ITEM	PART N°	DESCRIPTION	Ex. 6080	QTY
1	N.P.A.	Outer Case		1
2	N.P.A.	Motor Housing		1
3	ELX0001-P007	Rear Flue Cover		1
4	ELX0001-P008	Fan Mounting Panel		1
5	CMEL-0732	EBM Fan D2E 146HT 67-01		1
6	ELX0001-P009	Outer Flue Cover		1
7	SVMA-0108	Corner Piece		2
8	ELX0001-P018	Inner Filter Panel		1
9	N.P.A.	Rear Panel		1
10	N.P.A.	Inner Duct Panel		1
11	N.P.A.	Inner Panel Angle Front		1
12	N.P.A.	Inner Panel Angle Front		1
13	N.P.A.	Inner Panel Angle LH		1
14	N.P.A.	Inner Panel Angle RH		1
15	ELX0001-P023	Inner Flue Cover		1
16	CMEL-0921A	Fan Controller		1
17	GLAS-0103	Glass Inlay		1
18	ELX0001-P025	Fan Guard Panel		1
19	CMEL-0920	ZIK 7 Down Light		2
20	ELX0001-P044	Fixing Bracket		1
21	N.P.A.	Switch Mounting Plate Part 1		1
22	N.P.A.	Switch Mounting Plate Part 2		1
23	ELX0001-A003	Air Deflector Assembly		1
24	N.P.A.	Flue Cover Mounting Panel		1
25	N.P.A.	Lower Front Panel		1
26	N.P.A.	Transformer Holder		1
27	N.P.A.	Controller Fixing Bracket		1
28	ELX0001-P060	Carbon Filter		1
29	N.P.A.	Carbon Filter Retainer - Front		1
30	N.P.A.	Carbon Filter Retainer - Rear		1
31	CMGE-0750	Domestic Exhaust Hood Filter (268 x 305)		2
32	N.P.A.	Front Filter Retaining Angle		1
33	N.P.A.	Rear Filter Stop Angle		1
34	CMEL-0187	10 amp Plug and Lead		1
35	CMEL-0919	WU 60 2C Transformer		1
36	CMEL-0921B	Fan Controller Junction Box		1