

Electrolux

ELECTROLUX HOME PRODUCTS PTY LTD

ABN 51 004 762 341

Technical Publication N° RH124

Issue: 2

Date: 12/14

ELECTROLUX

CANOPY RANGEHOODS

MODELS:

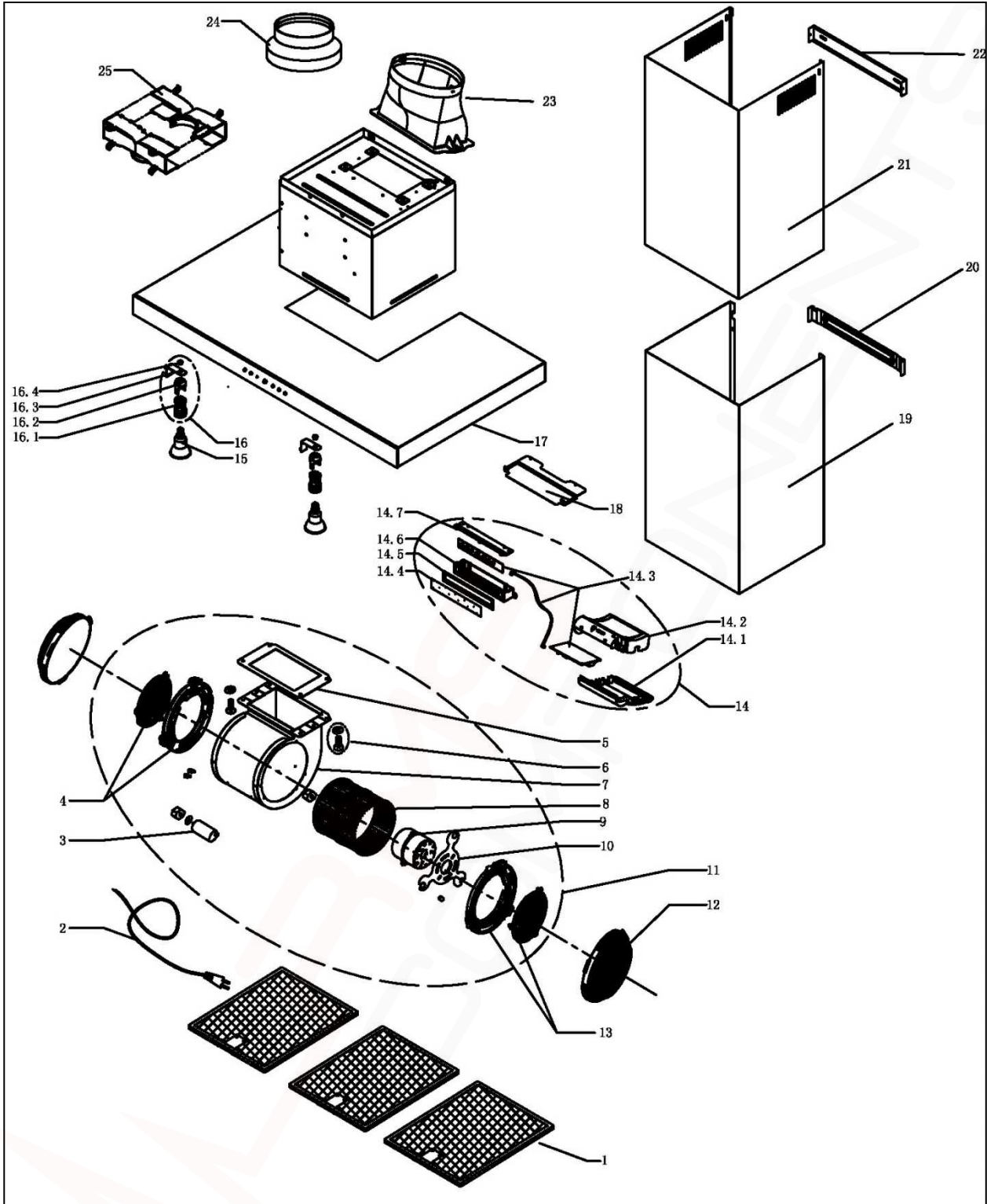
ERCE9025SA

PNC 942001228

ERCE9025BA

PNC 942001229

First Built Dates:	
ERCE9025SA	9/13
ERCE9025BA	9/13



ITEM	PART N°	DESCRIPTION	QTY
1	E653035	K METAL FILTER WITH AL. CLIP	3
2	E601025	POWER CORD SAA (AUS)-HOOD-S FOR EHP	1
3	E621010	CAPACITOR 5.5UF 450V	1
4	E607170	BETA INLET RING WITH GRILLE (LEFT)	1
5	E605005	ANTIVIBRATION JOINT	1
6	E627000	K MOTOR GROUP CASING SCREW	4
7	N.P.A.	MOTOR GROUP CASING-HOOD-K	1
8	E607075	TURBINE-HOOD-K	1
9	E649020	TA MOTOR 220V 50HZ	1
10	E629040	MOTOR MOUNTING BRACKET-TA MOTOR	1
11	E260045	BETA MOTOR GROUP WITH TA 220V CLASS II GRILLE-HOOD-ERCE9025BK	1
12	AR610CF	BETA BL CHARCOAL FILTER	2
13	E607165	BETA INLET RING WITH GRILLE (RIGHT)	1
14	E639030	TC TA 3V /B RED LED SWTICH ASSEMBLY (INC ITEMS 14.1/2/3/4/5/6/7)	1
14.1	N.P.A.	CONNECTION BOX COVER (SPLIT VERSION)-HOOD (PART OF ITEM 14)	1
14.2	N.P.A.	CONNECTION BOX (SPLIT VERSION)-HOOD-GAMMA (PART OF ITEM 14)	1
14.3	N.P.A.	TC TA 3V /B RED LED SWITCH PCBS (PART OF ITEM 14)	1
14.4	N.P.A.	DIFFUSION PAPER FOR TC SWITCH (PART OF ITEM 14)	1
14.5	N.P.A.	ADHESIVE FOAM FOR TC SWITCH (PART OF ITEM 14)	1
14.6	N.P.A.	CONTROL BOX FOR TC SWITCH (PART OF ITEM 14)	1
14.7	N.P.A.	CONTROL BOX COVER FOR TC SWITCH (PART OF ITEM 14)	1
15	E694095	HALOGEN LAMP E14-220V 40W	2
16	E251065	HAL. LAMPHOLDER ASSY E14-HOOD-ERCE9025BK (INC ITEMS 16.1/2/3/4)	2
16.1	N.P.A.	E14 LAMP HOLDER-HOOD-ERCE9025BK (PART OF ITEM 16)	2
16.2	N.P.A.	E14 LAMP HOLDER COVER-HOOD-ERCE9025BK (PART OF ITEM 16)	2
16.3	N.P.A.	E14 LAMP HOLDER BRACKET-HOOD-ERCE9025BK (PART OF ITEM 16)	2
16.4	N.P.A.	E14 LAMP HOLDER NUT-HOOD-ERCE9025BK (PART OF ITEM 16)	2
17	N.P.A.	S.STEEL BASE CASING-HOOD-MIRAGE C	1
18	E629090	TC SWITCH BRACKET-HOOD-MIRAGE C	1
19	E629110	S.STEEL LOWER TUBE-HOOD-ALFA	1
20	E629100	LOWER CONDUIT FIXING PLATE-HOOD-ALFA	1
21	E629160	S.STEEL UPPER TUBE 550MM-HOOD-ERCE9025BK	1
22	E629095	UPPER CONDUIT FIXING PLATE-HOOD-ALFA	1
23	E607130	150 IMPROVED OUTLET BASE	1
24	E607210	150 TO 120 OUTLET ADAPTER	1
25	E607175	C RECIRCULATING KIT	1

DUCTING ACCESSORIES	
AR150F	KIT-150MM GALVABOND FLUE 1200MM
AR150FD	KIT-150MM ALUM FLEXI DUCT 1M
AR150FJ	KIT-150MM FLUE JOINER
AR150RC	KIT-150MM G/BOND ROOF COWL
AR150WV	KIT-150MM WALL VENT + FLEXI DUCT
AR910RK	RECIRCULATING KIT (TEE PIECE & CARBON FILTER)
AR610FS	FLUE COVER STAINLESS STEEL EXTN 1200MM