



**Electrolux**

**ELECTROLUX HOME PRODUCTS PTY LTD**  
ABN 51 004 762 341

Technical Publication N° RH110

Issue: 2  
Date: 09/17

***ELECTROLUX***  
***CANOPY RANGEHOOD***

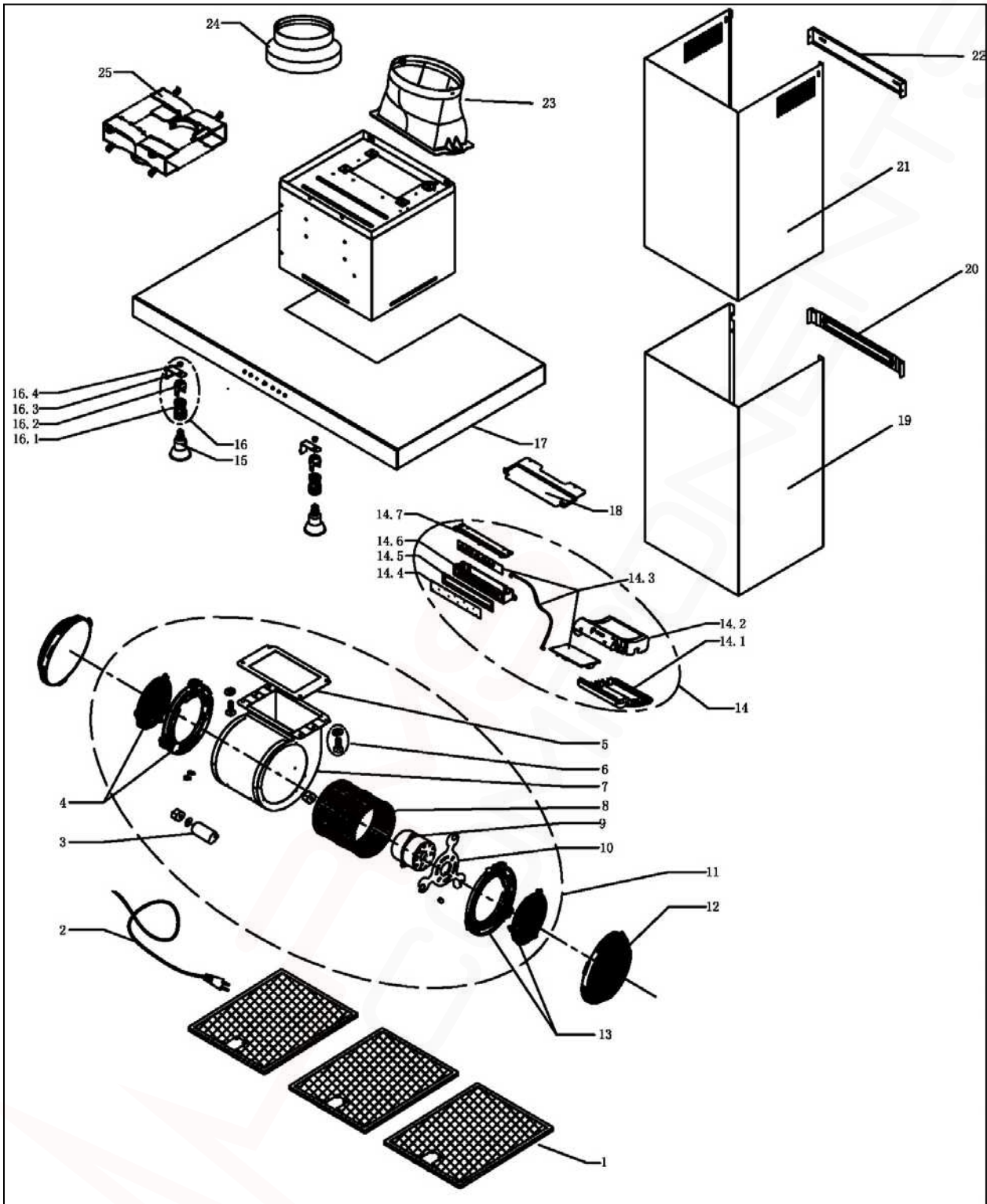
***MODEL:***  
**ERCE9025BK**  
**PNC 94200116602**

<b>MAINTENANCE LEVEL CHANGE SUMMARY</b>
---

<b>02</b> HALOGEN LAMP
------------------------

<b>First Built Dates:</b>	
---------------------------	--

<b>ERCE9025BK -02</b>	<b>5/09</b>
-----------------------	-------------



ITEM	PART N°	DESCRIPTION	QTY
1	<b>E653035</b>	FILTER W/CLIP - 6 LAYERS	3
2	<b>E601025</b>	CORD SERVICE	1
3	<b>E621010</b>	CAPACITOR 5.5UF 450V	1
4	<b>E607170</b>	COVER MOTOR LEFT	1
5	<b>E605005</b>	ANTIVIBRATION JOINT	1
6	<b>E627000</b>	SCREW K MOTOR GROUP CASING	4
7	<b>N.P.A.</b>	MOTOR GROUP CASING-HOOD-K	-
8	<b>E607075</b>	FAN TURBINE BLOWER	1
9	<b>E649020</b>	MOTOR TA 220V 50HZ	1
10	<b>E629040</b>	BRACKET MOTOR MOUNTING	1
11	<b>E260045</b>	MOTOR ASSY TA 220V CLASS II	1
12	<b>AR610CF</b>	FILTER CARBON	2
13	<b>E607165</b>	COVER MOTOR RIGHT	1
14	<b>E639030</b>	SWITCH ASSY 3V TC TA CONT+PWR	1
14.1	<b>N.P.A.</b>	CONNECTION BOX COVER (SPLIT VERSION)-HOOD (PART OF ITEM 14)	-
14.2	<b>N.P.A.</b>	CONNECTION BOX (SPLIT VERSION)-HOOD-GAMMA (PART OF ITEM 14)	-
14.3	<b>N.P.A.</b>	TC TA 3V /B RED LED SWITCH PCBS (PART OF ITEM 14)	-
14.4	<b>N.P.A.</b>	DIFFUSION PAPER FOR TC SWITCH (PART OF ITEM 14)	-
14.5	<b>N.P.A.</b>	ADHESIVE FOAM FOR TC SWITCH (PART OF ITEM 14)	-
14.6	<b>N.P.A.</b>	CONTROL BOX FOR TC SWITCH (PART OF ITEM 14)	-
14.7	<b>N.P.A.</b>	CONTROL BOX COVER FOR TC SWITCH (PART OF ITEM 14)	-
15	<b>E694095</b>	LAMP HALOGEN 40W E14 220V	2
16	<b>E251065</b>	HOLDER LAMP ASSY HALOGEN	2
16.1	<b>N.P.A.</b>	LAMP HOLDER-HOOD-ERCE9025BK (PART OF ITEM 16)	-
16.2	<b>N.P.A.</b>	LAMP HOLDER COVER-HOOD-ERCE9025BK (PART OF ITEM 16)	-
16.3	<b>N.P.A.</b>	LAMP HOLDER BRACKET-HOOD-ERCE9025BK (PART OF ITEM 16)	-
16.4	<b>N.P.A.</b>	LAMP HOLDER NUT-HOOD-ERCE9025BK (PART OF ITEM 16)	-
17	<b>N.P.A.</b>	S.STEEL BASE CASING-HOOD-MIRAGE C	-
18	<b>E629090</b>	BRACKET SWITCH	1
19	<b>E629110</b>	COVER LOWER ST/ST	1
20	<b>E629100</b>	BRACKET FIXING COVER LOWER	1
21	<b>E629160</b>	COVER FLUE ST/ST UPPER VENT x550MM	1
22	<b>E629095</b>	BRACKET FIXING COVER UPPER	1
23	<b>E607130</b>	ADAPTOR FLUE Ø150MM	1
24	<b>E607210</b>	ADAPTOR Ø150MM - Ø120MM REDUCER	1
25	<b>E607175</b>	KIT RECIRCULATING TEE - PIECE	1

DUCTING ACCESSORIES	
<b>AR150F</b>	KIT-150MM GALVABOND FLUE 1200MM
<b>AR150FD</b>	KIT-150MM ALUM FLEXI DUCT 1M
<b>AR150FJ</b>	KIT-150MM FLUE JOINER
<b>AR150RC</b>	KIT-150MM G/BOND ROOF COWL
<b>AR150WV</b>	KIT-150MM WALL VENT + FLEXI DUCT
<b>AR910RK</b>	RECIRCULATING KIT (TEE PIECE & CARBON FILTER)
<b>AR610FS</b>	FLUE COVER STAINLESS STEEL EXTN x1200MM