



ELECTROLUX HOME PRODUCTS PTY LTD
ABN 51 004 762 341

Technical Publication N° RH078

Issue: 4
Date: 05/15

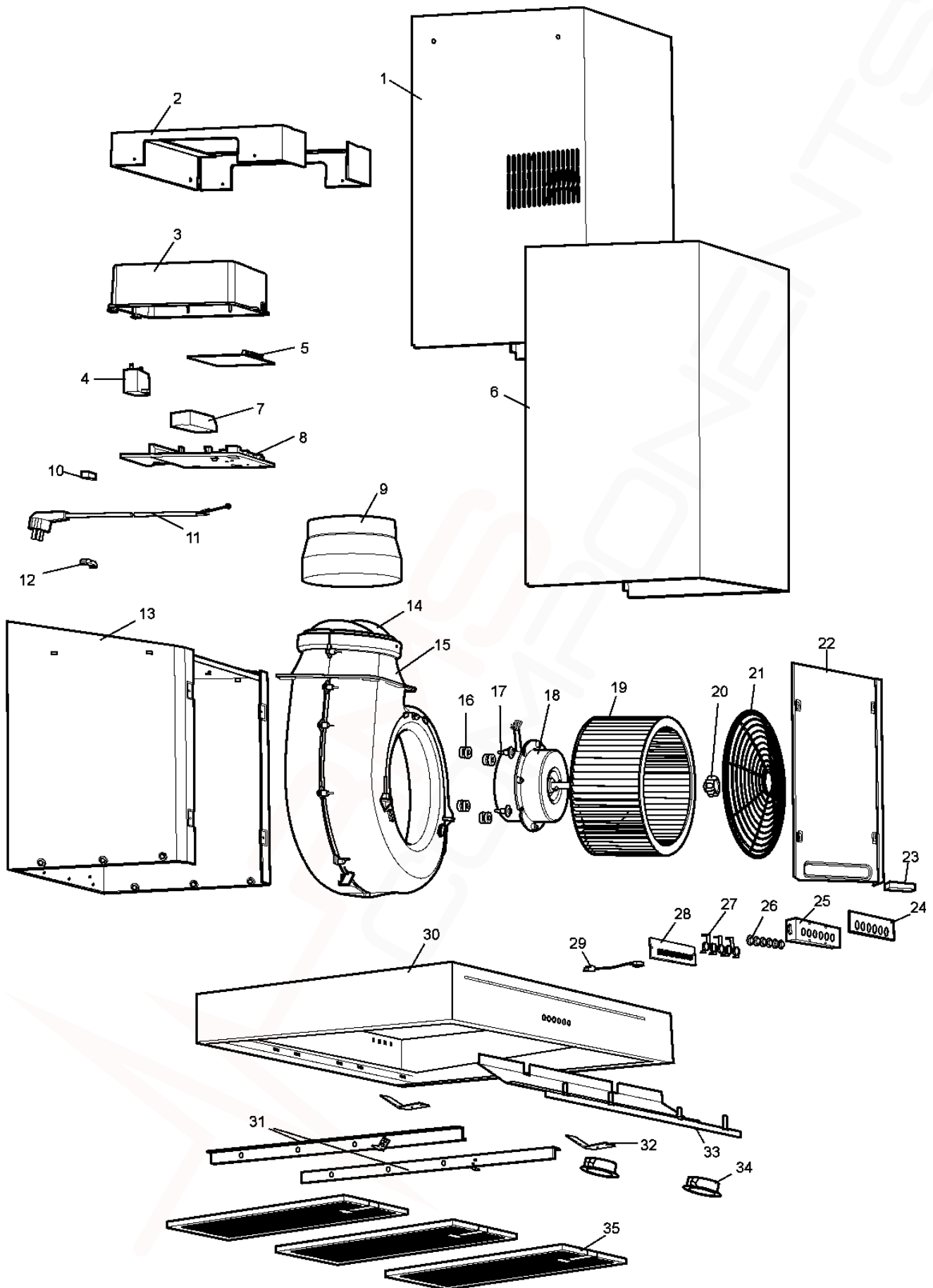
WEB SITE ADDRESS: www.partnship.com.au

ELECTROLUX
COOKER HOOD

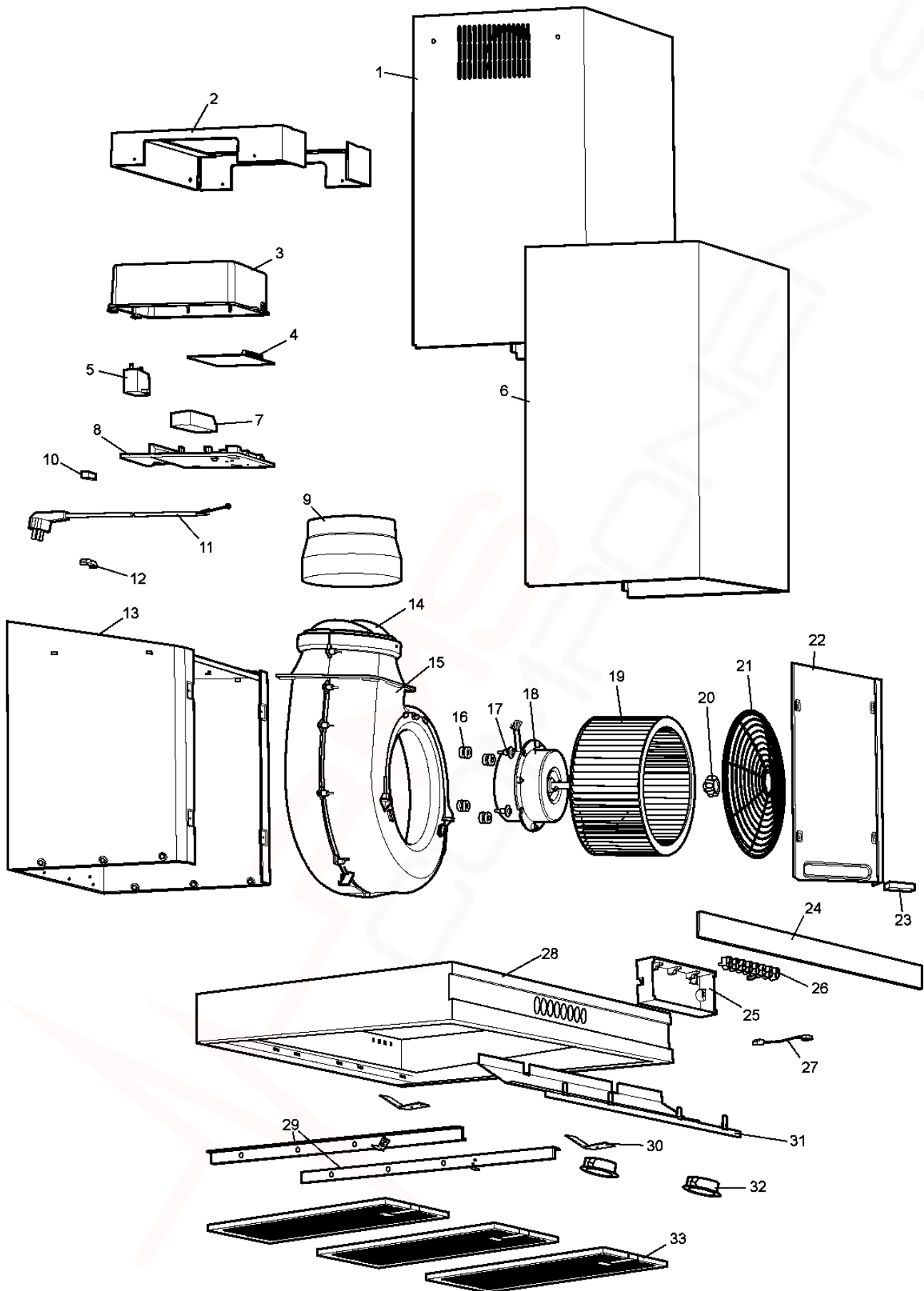
MODELS:

ERCM9010AS
ERCE9020AS

First Built Dates:	
ERCM9010AS	Mar '08
ERCE9020AS	Mar '08



ITEM	PART N°	DESCRIPTION	EX. 6451	QTY
1	305414001	TOP EXHAUST COVER		1
2	305415600	EXHAUST COVER BRACKET WELDING ASSY		1
3	305410400	WIRING BOX COVER – TOP		1
4	305356200	CAPACITOR		1
5	305397601	P.C.B.		1
6	305413700	BOTTOM EXHAUST COVER		1
7	305356300	TRANSFORMER		1
8	305410300	WIRING BOX COVER - BASE		1
9	305357600	REDUCTION COLLAR 165MM TO 150MM		1
10	305351900	CLIP SERVICE CORD - TOP		1
11	305418300	MAIN CABLE		1
12	305351800	CLIP SERVICE CORD - BASE		1
13	N.P.A.	FAN BOX SUBASSEMBLY		1
14	305345800	DAMPER		2
15	N.P.A.	FAN HOUSING SUBASSEMBLY		1
16	305346400	MOTOR ANTI-VIBRATION RUBBER		4
17	305351100	MOTOR FASTEN SCREW ASSY		4
18	305359600	MOTOR - 3 SPEED		1
19	305350700	FAN WHEEL		1
20	305347300	NUT FAN FASTEN		1
21	305401800	SAFETY NET		1
22	305399300	FAN BOX COVER ASSY		1
23	305420900	PE FOAM		1
24	305416800	SWITCH BRACKET ADHESIVE		1
25	305416400	SWITCH PCB ASSEMBLY		1
26	305416400	BUTTONS		1
27	305416400	BUTTON SUPPORT		1
28	305416400	CONTROL UNIT		1
29	305398100	CONNECTING CABLE		1
30	N.P.A.	OUTER CANOPY		1
31	N.P.A.	OUTER CANOPY SUPPORTS		1
32	N.P.A.	LAMP PANEL CLIP		2
33	305412400	LAMP PANEL WELDING ASSEMBLY		1
34	305354512	HALOGEN LAMP		2
35	305414100	FILTER SUBASSEMBLY		3
N.I.	305407500	BRACKET MOUNTING		2
N.I.	AR150FD	EXHAUST DUCT		1
N.I.	AR600RK	RECIRCULATING KIT INC. FILTER MAT		X
N.I.	AR600CF	REPLACEMENT CARBON MAT FILTER		X
N.I.	AR600FS	STAINLESS STEEL COVER EXT. 1200MM		X

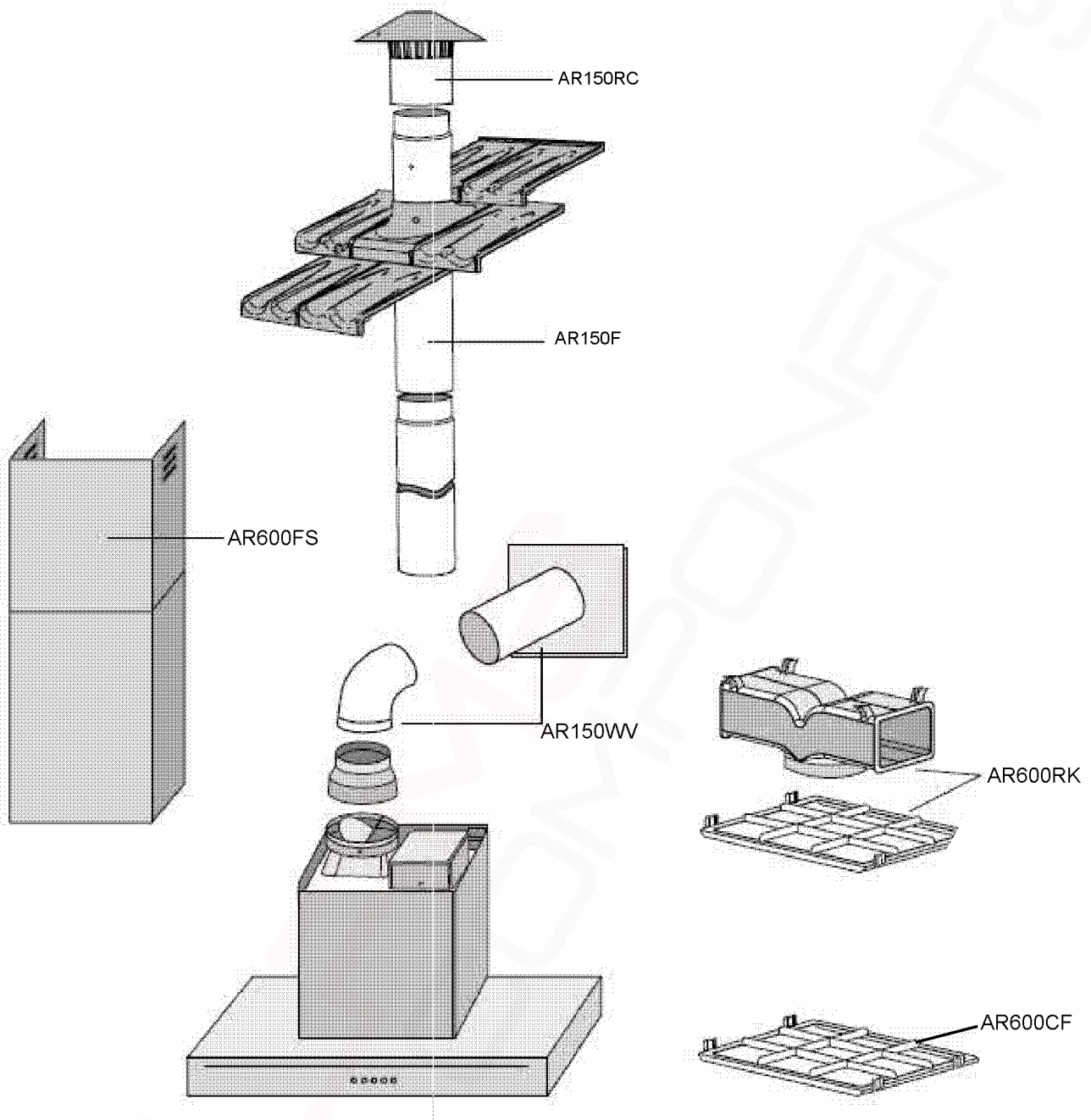


ITEM	PART N°	DESCRIPTION	EX. 6452	QTY
1	305414001	TOP EXHAUST COVER		1
2	305415600	EXHAUST COVER BRACKET WELDING ASSY		1
3	305410400	WIRING BOX COVER		1
4	305397602	P.C.B.		1
5	305397500	CAPACITOR		1
6	305413700	BOTTOM EXHAUST COVER		1
7	REFER NOTE*	TRANSFORMER		1
8	305410300	WIRING BOX BASE		1
9	305357600	REDUCTION COLLAR 165MM - 150MM		1
10	305351900	CLIP		1
11	305418300	MAIN CABLE		1
12	305351800	CLIP BASE		1
13	N.P.A.	FAN BOX SUBASSEMBLY - PAINTED		1
14	305345800	DAMPER		2
15	N.P.A.	FAN HOUSING SUBASSEMBLY		1
16	305346400	MOTOR ANTI-VIBRATION RUBBER		4
17	305351100	MOTOR FASTEN SCREW ASSY		4
18	305399400	PW BOOST MOTOR		1
19	305350700	FAN WHEEL		1
20	305347300	FAN FASTEN NUT		1
21	305401800	SAFETY NET		1
22	305399300	FAN BOX COVER		1
23	305420900	PE FOAM		1
24	305413900	DECORATIVE PAD		1
25	305411200	TOUCH SENSOR ASSY (INCL ITEMS 26 & 27)		1
26	Refer Item 25	TOUCH CNTL BOARD (INCL WITH ITEM 25)		1
27	Refer Item 25	CONTROL BOARD QUICK CLIP (INCL. WITH ITEM 25)		1
28	N.P.A.	OUTER CANOPY SUBASSEMBLY		1
29	N.P.A.	OUTER CANOPY SUPPORTS		1
30	N.P.A.	LAMP PANEL CLIP		2
31	305412400	LAMP PANEL WELDING ASSEMBLY		1
32	305354512	HALOGEN LAMP		2
33	305414100	FILTER ASSEMBLY		3
N.I.	305407500	BRACKET MOUNTING		2
N.I.	AR150FD	EXHAUST DUCT		1
N.I.	AR600RK	RECIRCULATING KIT		X
N.I.	AR600CF	REPLACEMENT CARBON MAT FILTER		X
N.I.	AR600FS	STAINLESS STEEL COVER EXT. 1200MM		X

*NOTE: TRANSFORMER, NOW USE 305356300 + 305419400 + 305419500

**MODEL: ERCM9010AS
ERCE9020AS**

**EX. VIEW DRAWING 6691
OPTIONAL DUCTING
ACCESSORIES**



NOTE: Accessories are to be purchased separately

Part Numbers	Description
AR150RC	150mm G/Bond Roof Cowl
AR150F	150mm G/Bond Flue 1200mm
AR150WW	150mm Wall Vent + Flexi Duct
AR600RK	Recirculating Kit
AR600CF	Replacement carbon mat filter
AR600FS	Stainless steel exhaust cover extension 1200mm