



ELECTROLUX HOME PRODUCTS PTY LTD
ABN 51 004 762 341

Technical Publication N° RH1018

Issue: 2
Date: 2/19

ELECTROLUX

DOMESTIC HOUSEHOLD RANGEHOOD

90cm WALL CANOPY

CONTENTS	PAGE N°
CANOPY WALL MOUNTED HOOD ASSEMBLY	2
MOTOR & ELECTRICAL COMPONENTS	3
COVER FLUE and DUCT COMPONENTS	3
WIRING DIAGRAM	5

NOTE: In Parts Listings

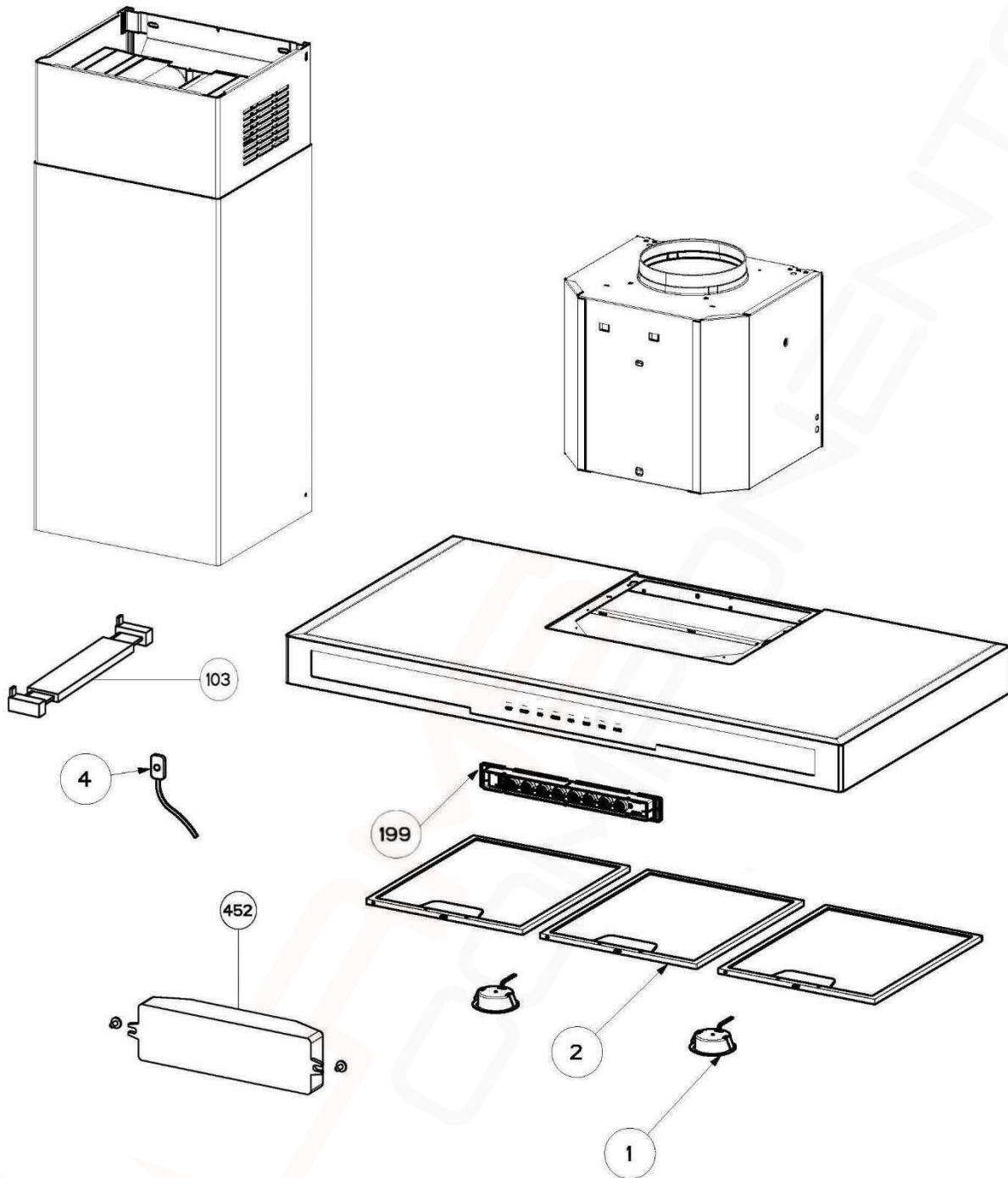
N.I. = Not Illustrated
N.P.A. = No Part Available
N.P.N. = Not Used on this Model

MODEL:

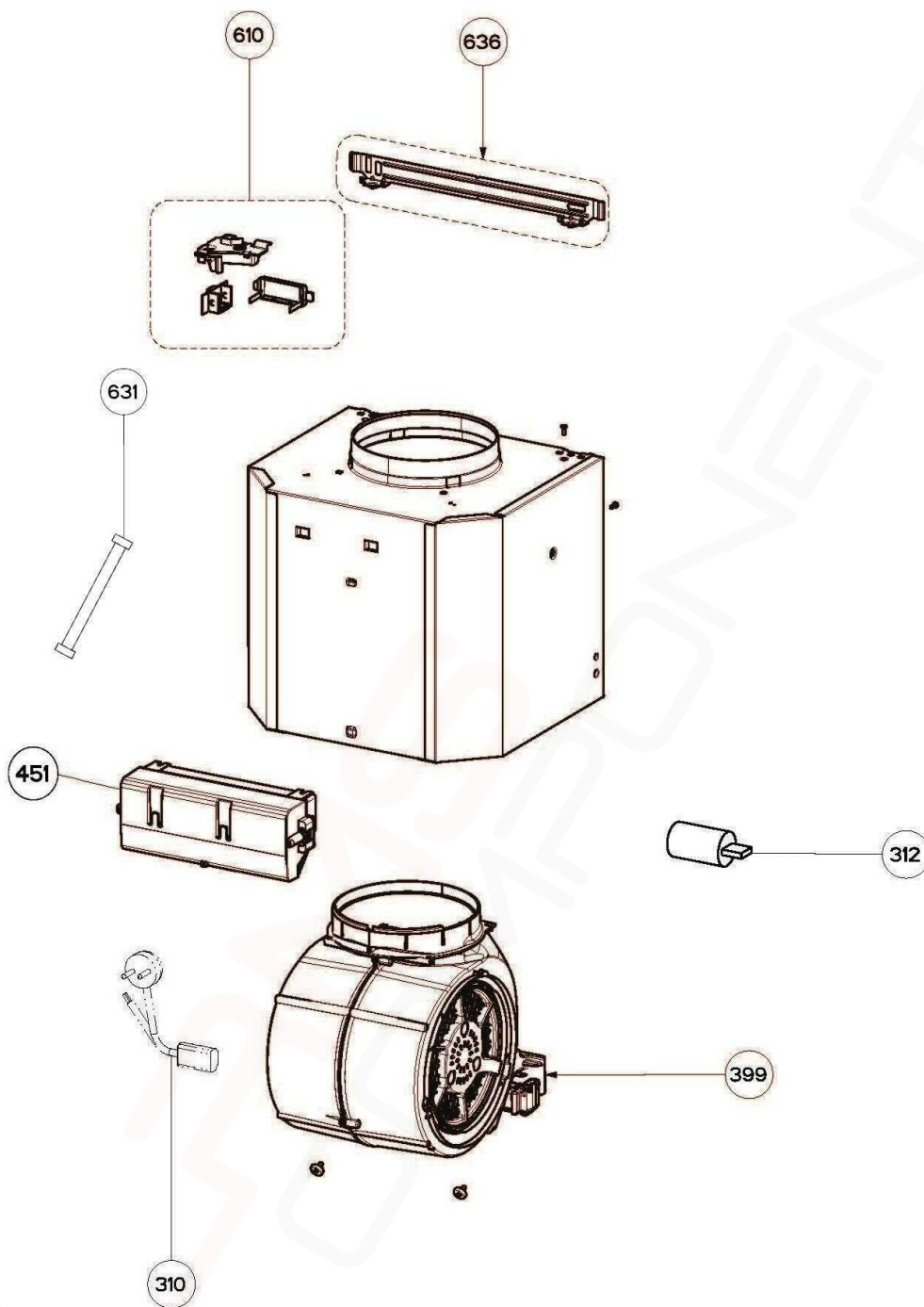
ERC930SA

PNC:

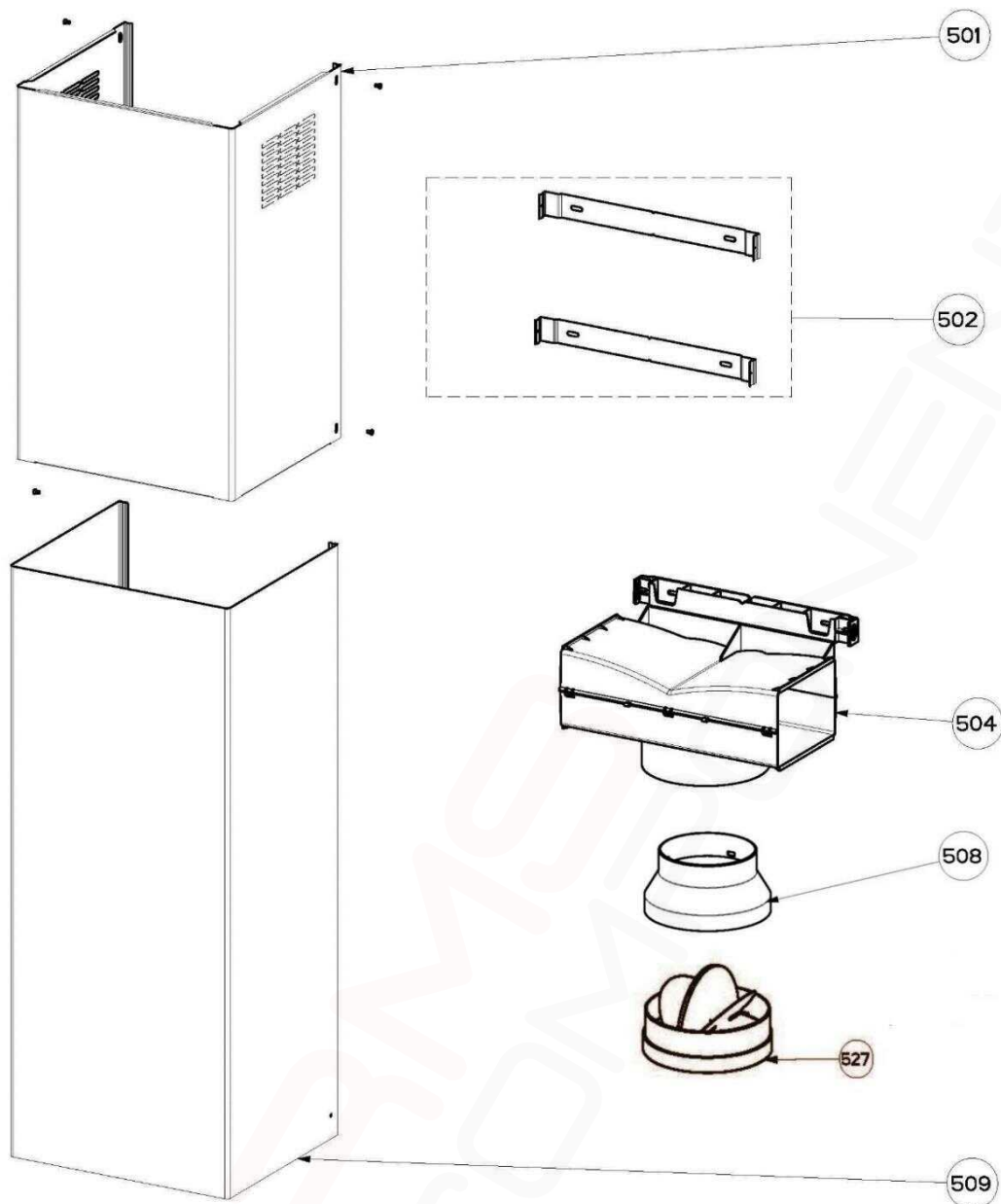
942001291 00



ITEM	PART N°	DESCRIPTION	Ex. 07A_720_01	QTY
1	1330299379	LAMP LED S1000 4000K		2
2	1330067471	FILTER ALUM MESH 253x300		3
4	1330308667	SENSOR RECEIVER CARD + BOX		1
103	1330428410	HARNESS FLAT 9WAY CON. x 750mm		1
199	1330383373	SWITCH ELECTRONIC ASSEMBLY		1
452	1330299377	TRANSFORMER DC8W 12V R 110-240		1



ITEM	PART N°	DESCRIPTION	Ex. D15_701_02	QTY
310	1330056373	CORD SERVICE 3x0.75x1500 AU		1
312	1330071067	CAPACITOR 6.3µf 450V		1
399	1330181083	BLOWER FAN COMP ASSY 220-50/60		1
451	1330395089	BOARD PCB CARD+BOX H2H COMPL		1
610	1330198246	KIT ACCESSORIES EASY CUBE		1
631	N.P.N.	NOT REQUIRED FOR THIS MODEL		-
636	1330200466	BRACKET WALL FIXING EASY CUBE ZN		1



ITEM	PART N°	DESCRIPTION	Ex. CWA_705_01	QTY
501	1330017078	COVER FLUE UPPER		1
502	1330046952	BRACKET FIXING FLUE UPPER 2PER		1
504	1330378602	KIT RECIRCULATING PIECE		1
508	E607210	ADAPTOR Ø150MM - Ø120MM REDUCER (optional accessory)		1
509	1330386821	COVER FLUE LOWER 300-260		1
527	1330056646	ADAPTOR JOINER W/DAMPER Ø150		1
N.I.	AR150F	FLUE PIPE Ø150mm x 1200mm		-
N.I.	AR150RC	COWL ROOF Ø150mm FLUE		-
N.I.	AR150FD	FLUE PIPE FLEXI Ø150mm x 1000mm		-
N.I.	9029793636	CARBONFILTER KIT (EFF72)		