



Electrolux

ELECTROLUX HOME PRODUCTS PTY LTD

ABN 51 004 762 341

Technical Publication N° RH126.docx

Issue: 2

Date: 5/16

ELECTROLUX

RANGEHOOD CANOPY

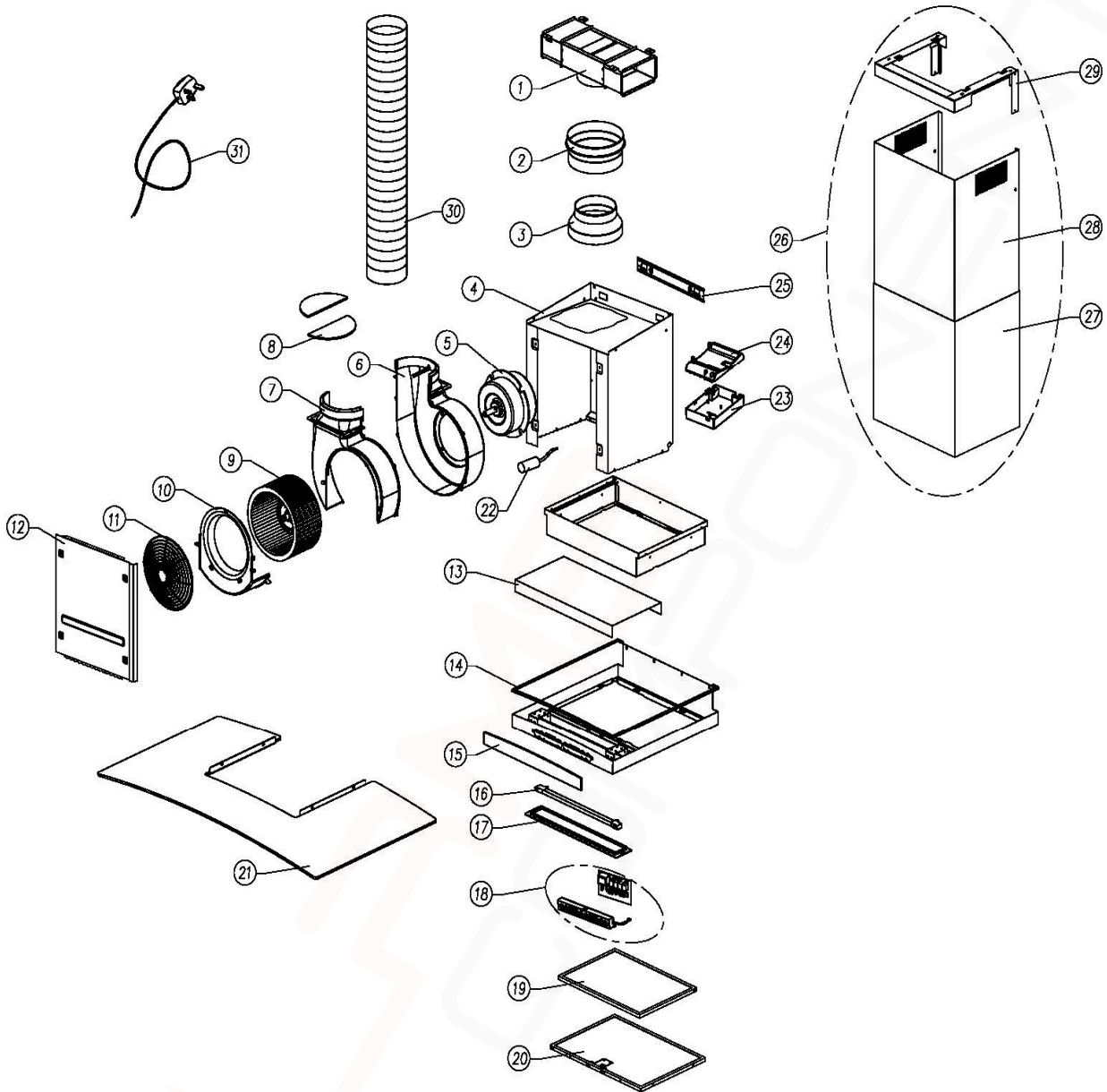
MODEL:

ERC928GA

PNC 942001205

First Built Dates:	
ERC928GA	3/14

EX. VIEW DRAWING
COMPLETE ASSEMBLY



ITEM	PART N°	DESCRIPTION	QTY
1	25110170	T-PIECE_HOOD-RUBY	1
2	60704515	180 TO 200 TRANSITION DUCT-HOOD-RUBY	1
3	60704520	180 TO 150 TRANSITION DUCT-HOOD-RUBY	1
4	25110150	WIND COAMING GROUP-HOOD-PYRAMID_BT_C	1
5	64900285	MOTOR 220-240V/50HZ-HOOD-RUBY	1
6	60704480	LOWER WIND CHAMBER-HOOD-C5	1
7	60704485	UPPER WIND CHAMBER-HOOD-C5	1
8	60704490	BACKFLOW PREVENTER-HOOD-C5	2
9	69400990	TURBINE-HOOD-C5	1
10	60704495	WIND CHAMBER COVER-HOOD-C5	1
11	65300155	AIR INLET NETWORK-HOOD-C5	1
12	55000995	WIND COAMING COVER-HOOD-PYRAMID_BT_C	1
13	55001520	LED LAMP COVER-HOOD-ERC928GA	1
14	69412130	BLACK RUBBER STRIP-HOOD-ERC928GA	1
15	69412110	BLACK CONTROL GLASS-HOOD-ERC928GA	1
16	E639065	STRIP LED x335mm 4W-HOOD-RUBY	1
	E629290	BRACKET MOUNT STRIP LED	
17	E607400	LIGHT PANEL-HOOD-ERC928GA	1
18	63900775	RUBY BETTER_A_AUST SWITCH GROUP-HOOD	1
19	25110185	CARBON FILTER-HOOD-ERC928GA	1
20	65300175	METAL FILTER WITH METALLIC HANDLE-HOOD-ERC928GA	1
21	25110190	GLASS WITH BRACKET-HOOD-ERC928GA	1
22	62100545	BLAST-PROOF CAPACITOR 8MF-HOOD-RUBY	1
23	60704240	CONNECTION BOX-HOOD-TN	1
24	60704235	CONNECTION BOX COVER-HOOD-TN	1
25	62904185	HOOD HOLDER-HOOD-C5	1
26	25110180	S/STEEL TUBES -HOOD-ERC925SA	1
27	E629305	LOWER TUBE HOOD SILKSCREEN	1
28	62904210	UPPER TUBE 645MM-HOOD-RUBY	1
29	55001515	TUBES HANGING SUPPORT-HOOD-RUBY	1
30	69412105	Φ150MM*15M ALUMINUM FLEXIBLE EXHAUST FLUE-HOOD	1
31	60100570	POWER CORD SAA 3 PINS-HOOD-RUBY	1