



Electrolux

ELECTROLUX HOME PRODUCTS PTY LTD

ABN 51 004 762 341

Technical Publication N° RH125.docx

Issue: 2

Date: 5/16

ELECTROLUX

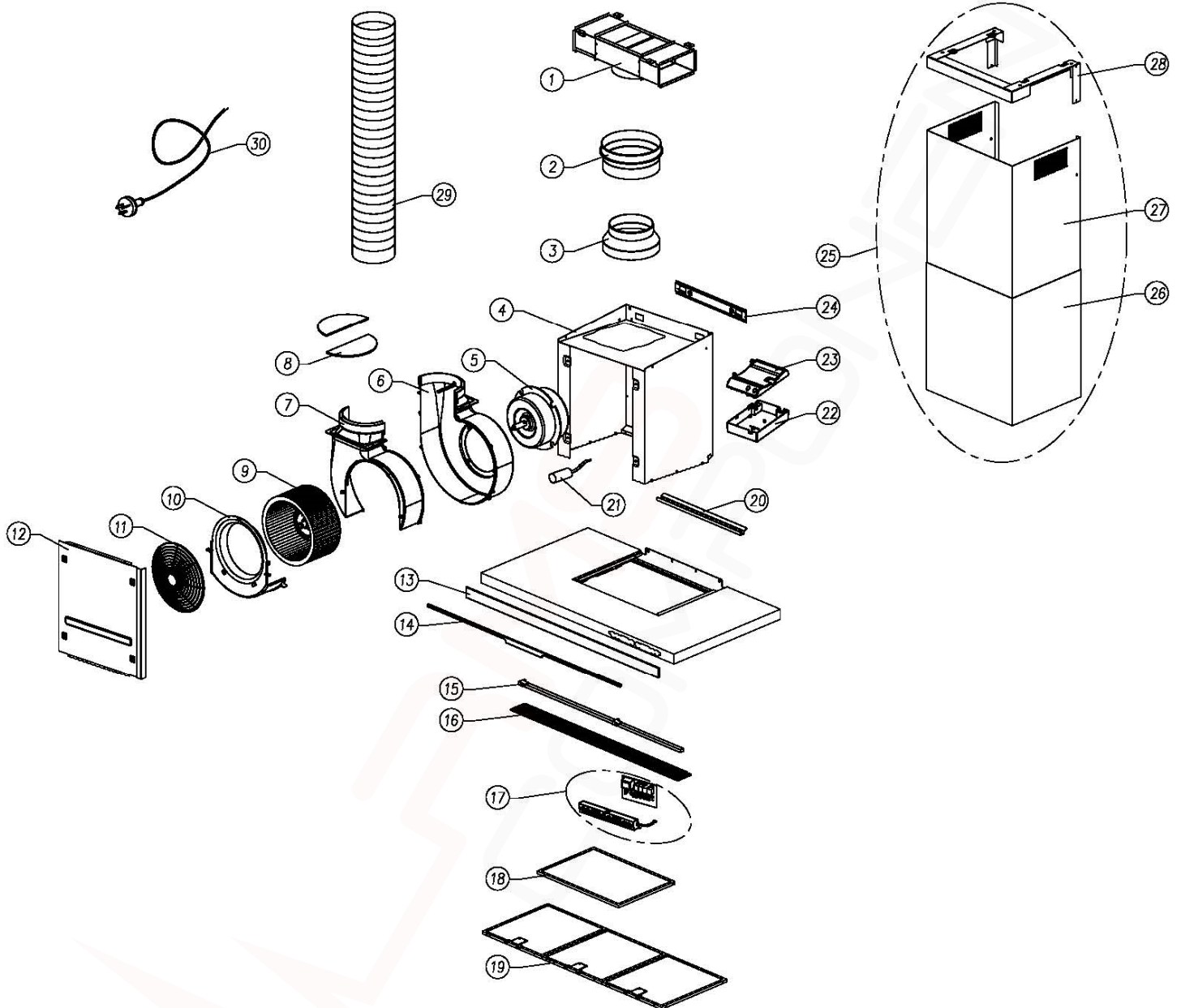
RANGEHOOD CANOPY

MODEL:

ERC925SA

PNC 942001204

First Built Dates:	
ERC925SA	10/13



ITEM	PART N°	DESCRIPTION	QTY
1	25110170	T-PIECE_HOOD-RUBY	1
2	60704515	180 TO 200 TRANSITION DUCT-HOOD-RUBY	1
3	60704520	180 TO 150 TRANSITION DUCT-HOOD-RUBY	1
4	25110150	WIND COAMING GROUP-HOOD-PYRAMID_BT_C	1
5	64900285	MOTOR 220-240V/50HZ-HOOD-RUBY	1
6	60704480	LOWER WIND CHAMBER-HOOD-C5	1
7	60704485	UPPER WIND CHAMBER-HOOD-C5	1
8	60704490	BACKFLOW PREVENTER-HOOD-C5	2
9	69400990	TURBINE-HOOD-C5	1
10	60704495	WIND CHAMBER COVER-HOOD-C5	1
11	65300155	AIR INLET NETWORK-HOOD-C5	1
12	55000995	WIND COAMING COVER-HOOD-PYRAMID_BT_C	1
13	69412090	90CM SILVER GLASS-HOOD-ERC925SA	1
14	62904205	S/STEEL DECORATIVE TRIM-HOOD-RUBY	1
15	E639060	STRIP LED x 750mm 8.5W-HOOD-RUBY	1
	E629290	BRACKET STRIP LED	2
16	E607395	LENS LIGHT STRIP CANOPY	1
17	63900775	RUBY BETTER_A_AUST SWITCH GROUP-HOOD	1
18	25110175	CARBON FILTER-HOOD-ERC925SA	1
19	65300170	METAL FILTER WITH METALLIC HANDLE-HOOD-ERC925SA	3
20	55001510	CARBON FILTER REAR SUPPORT-HOOD-ERC925SA	1
21	62100545	BLAST-PROOF CAPACITOR 8MF-HOOD-RUBY	1
22	60704240	CONNECTION BOX-HOOD-TN	1
23	60704235	CONNECTION BOX COVER-HOOD-TN	1
24	62904185	HOOD HOLDER-HOOD-C5	1
25	N.P.A.	S/STEEL TUBES -HOOD-ERC925SA	1
26	E629300	LOWER TUBE HOOD PYRAMID SILKSCREEN	1
27	62904210	UPPER TUBE 645MM-HOOD-RUBY	1
28	55001515	TUBES HANGING SUPPORT-HOOD-RUBY	1
29	69412105	Φ150MM*15M ALUMINUM FLEXIBLE EXHAUST FLUE-HOOD	1
30	60100570	POWER CORD SAA 3 PINS-HOOD-RUBY	1