

# Electrolux

ELECTROLUX HOME PRODUCTS PTY LTD

ABN 51 004 762 341

Technical Publication N° RH1041.docx

Issue: 1

Date: 1/19

*Electrolux*

## **90cm WALL MOUNTED CANOPY RANGEHOOD**



**MODEL / PNC**

**ERC925DSD 956004015 00**

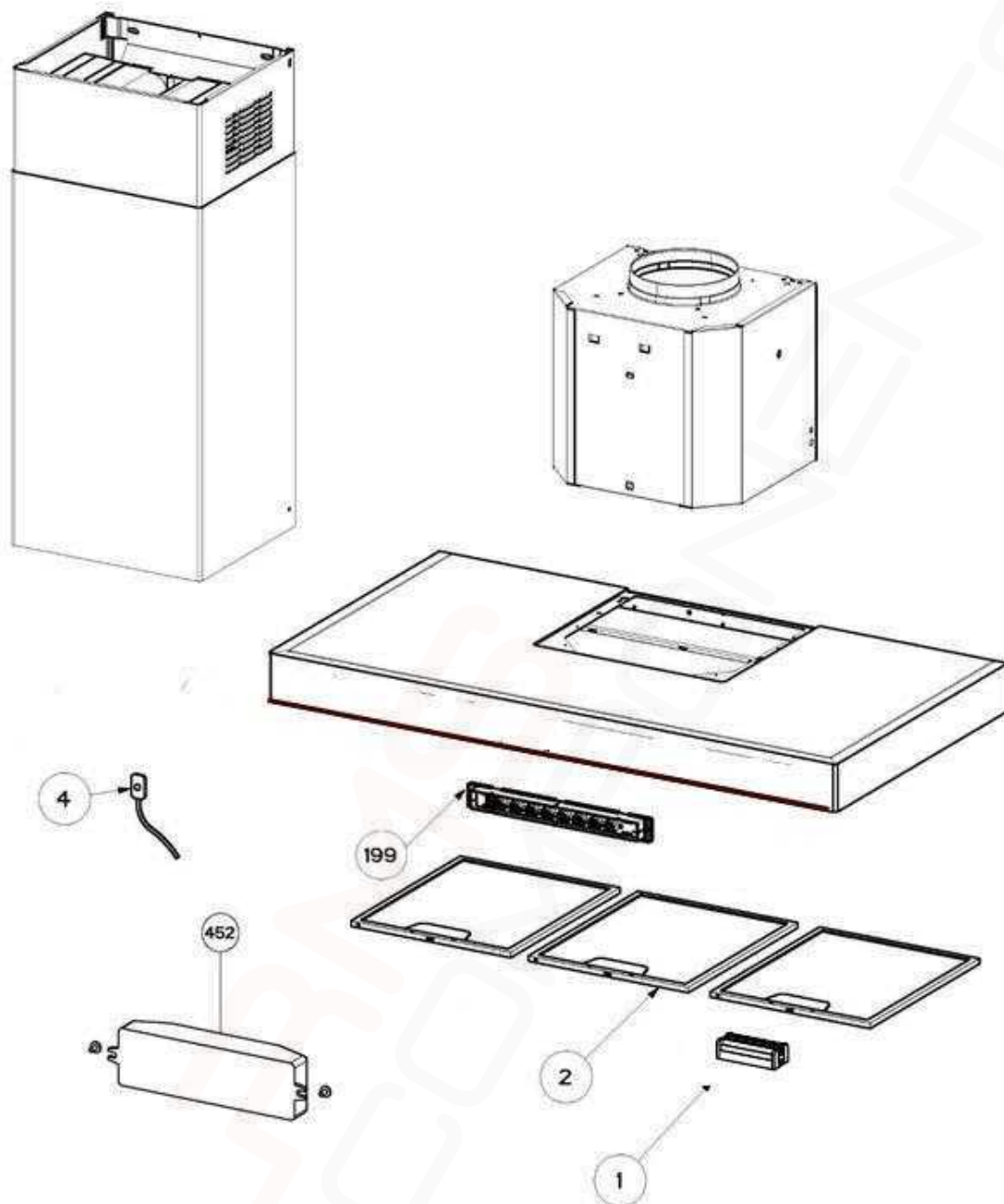
# MAINTENANCE LEVEL CHANGE SUMMARY

ML	Description	Release Date
0	Initial Issue	02/2019

## MODEL NUMBER IDENTIFICATION

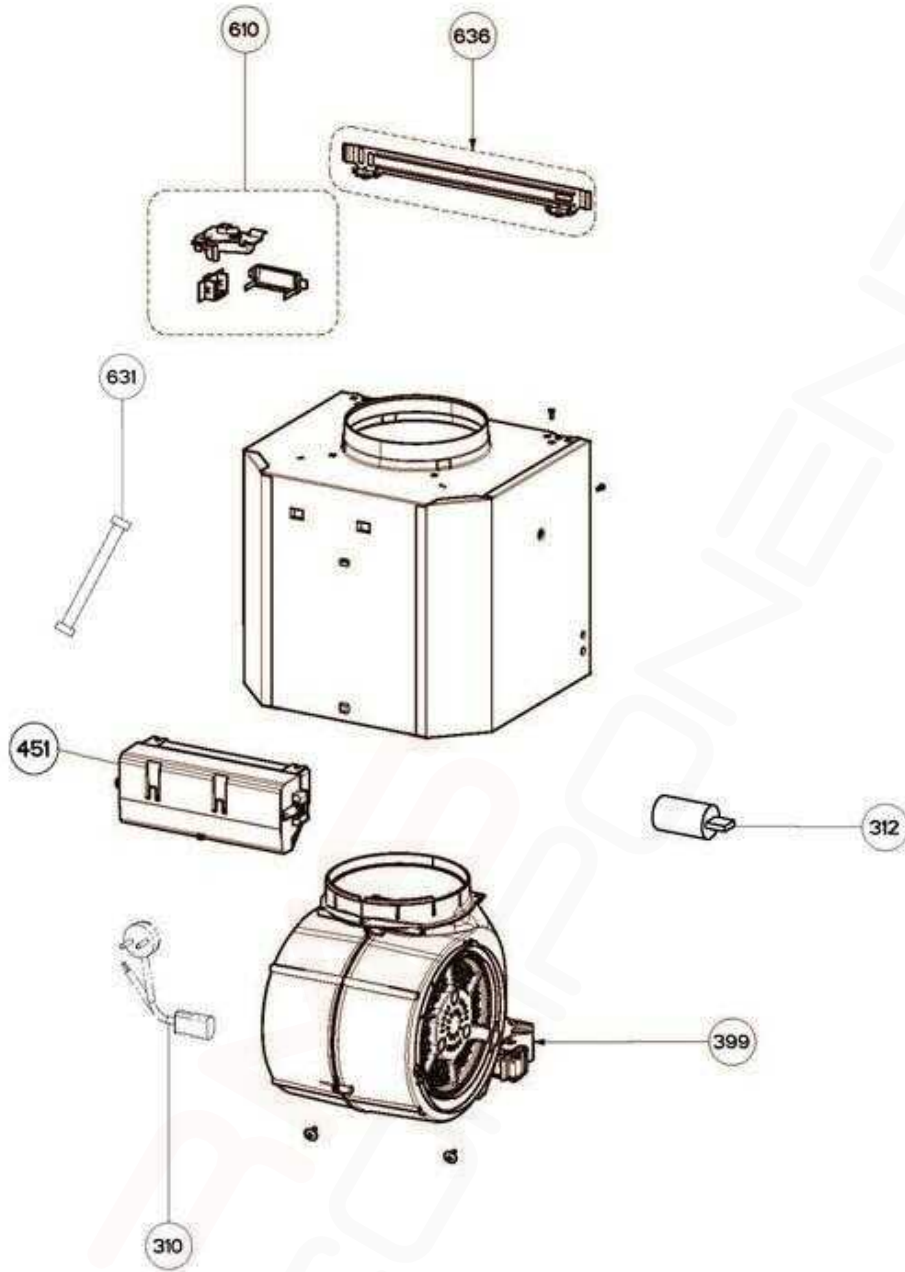
FREE STANDING COOKERS										
W Brand	B Construction	E Oven Fuel Type	S Added Features	W Width	H Hob Type	S Specification Level	W Colour	A Series	R Side Opening Door Type	G Gas Type
W = Westinghouse C = Chef E = Electrolux Z = Zanussi S = Simpson	E = Elevated Cooker F = Front Control Freestanding Cooker L = Rear Control Freestanding Cooker	E = Electric G = Gas	Leave blank for all except the below: S = Side Opening Door P = Pyro	0 = 60 - 64cm 6 = 60 - 66cm 7 = 70 - 78cm 8 = 80 - 86cm 9 = 90 - 96cm 1 = 100cm and above	IF FUEL TYPE = G 0 = No wok 1 = Wok  IF FUEL TYPE = E 2 = Radiant Coil 3 = Solid 4 = Ceramic 5 = Induction 6 = Dual fuel	Even = 0/0, Odd = Sep Grill 0 = Lowest Spec 1 2 3 4 5 6 7 8 9 = Highest Spec	W = White S = Stainless Steel B = Black	A = SAFR B = 1st series change C = 2nd series change etc	L = Left Hand Opening R = Right Hand Opening	LP = Liquefied Petroleum NG = Natural Gas
BUILT-IN OVENS										
W Brand	B Construction	E Oven Fuel Type	S Added Features	W Width	C Cavity Type	S Specification Level	W Colour	A Series	G Gas Type	R Side Opening Door Type
W = Westinghouse C = Chef E = Electrolux Z = Zanussi S = Simpson	V = Built-in oven	E = Electric G = Gas	Leave blank for all except the below: S = Side Opening Door M = Microwave P = Pyro	3 = 30cm - 36cm 4 = 40cm - 46cm 5 = 50cm - 56cm 6 = 60cm - 66cm 7 = 70cm - 76cm 8 = 80cm - 86cm 9 = 90cm - 96cm 1 = 100cm - 110cm 2 = 120 cm +	1 = Single 2 = Duo 3 = Double 4 = Combo Oven 5 = Sep grill und/bench 6 = Sep grill wall oven 7 = Compact	0 = Lowest Spec 1 2 3 4 5 6 7 8 9 = Highest Spec	W = White S = Stainless Steel B = Black	A = SAFR B = 1st series change C = 2nd series change etc	LP = Liquefied Petroleum NG = Natural Gas	L = Left Hand Opening R = Right Hand Opening
BUILT-IN HOBS										
W Brand	B Construction	H Hob Type	W Width	N No. Burners/Zones	S Specification Level	W Colour	A Series			
W = Westinghouse C = Chef E = Electrolux Z = Zanussi S = Simpson	H = Hob	IF ELECTRIC HOB: S = Solid C = Ceramic I = Induction R = Radiant Coil M = Mix  IF GAS HOB: G = Gas D = Dual Fuel	3 = 36cm or below 4 = 40cm - 46cm 5 = 50cm - 56cm 6 = 60cm - 66cm 7 = 70cm - 76cm 8 = 80cm - 86cm 9 = 90cm - 96cm 1 = 100cm - 110cm 2 = 120 cm and above	1 2 3 4 5 6 7 8 9	0 = Lowest Spec 1 2 3 4 5 6 7 8 9 = Highest Spec	W = White S = Stainless Steel B = Black	A = SAFR B = 1st series change C = 2nd series change etc			

**MODEL: ERC925DSD**



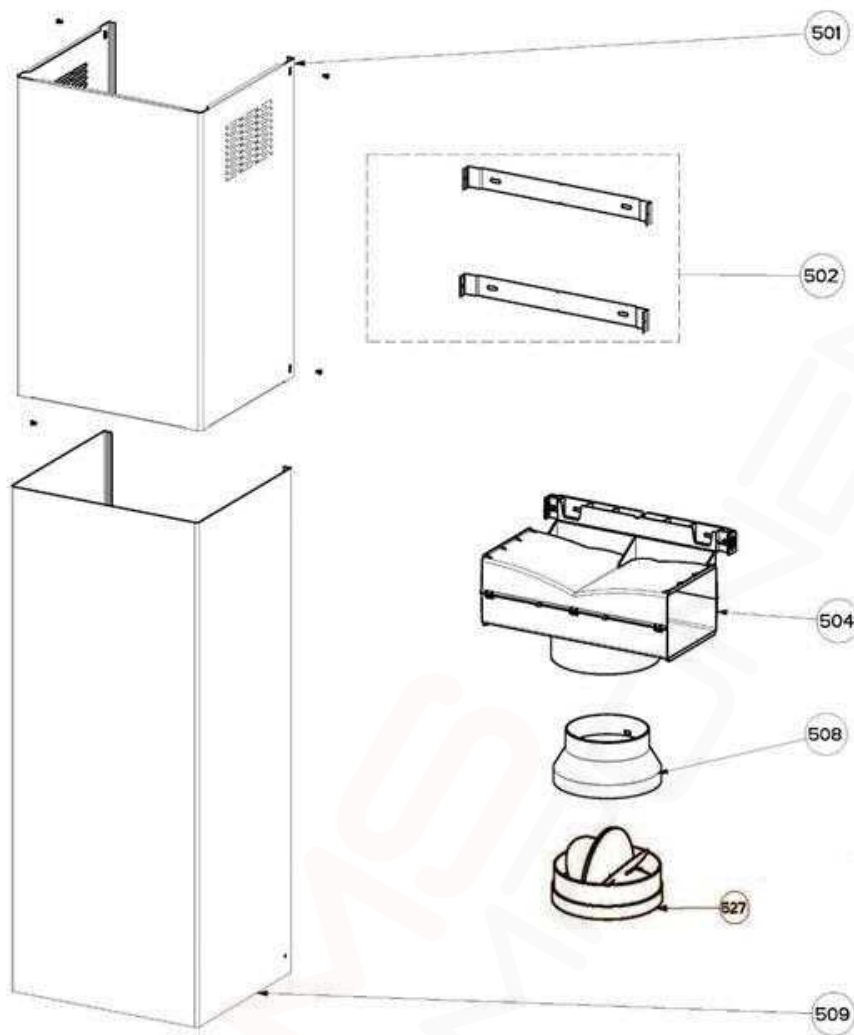
ITEM	PART N°	DESCRIPTION	QTY
1	1330478994	LAMP LED S1000 4000K	2
2	1330307174	FILTER ALUM MESH 253x300	3
4	1330308667	SENSOR RECEIVER CARD + BOX	1
199	1330518360	SWITCH ELECTRONIC ASSEMBLY	1
452	1330299377	TRANSFORMER DC8W 12V R 110-240	1
N.I.	9029793636	CARBON FILTERS (EFF72)	

MODEL: ERC925DSD



ITEM	PART N°	DESCRIPTION	QTY
310	1330056373	CORD SERVICE 3x0.75x1500 AU	1
312	1330060896	CAPACITOR 4µf 450V	1
399	1330181083	BLOWER FAN COMP ASSY 220-50/60	1
451	1330571101	BOARD PCB CARD+BOX H2H COMPL	1
610	1330198246	KIT ACCESSORIES EASY CUBE	1
631	1330311538	FLAT 10 WAYS CONNECT.	1
636	1330052537	BRACKET WALL FIXING EASY CUBE ZN	1
NI	1330312535	ELECTRIC FILTER	1

MODEL: ERC925DSD



ITEM	PART N°	DESCRIPTION	QTY
501	1330017078	COVER FLUE UPPER	1
502	1330046952	BRACKET FIXING FLUE UPPER 2PER	1
504	1330378602	KIT RECIRCULATING PIECE	1
508	E607210	ADAPTOR Ø150MM - Ø120MM REDUCER (optional accessory)	1
509	1330571103	COVER FLUE LOWER 300-260	1
527	1330056646	ADAPTOR JOINER W/DAMPER Ø150	1
N.I.	AR150F	FLUE PIPE Ø150mm x 1200mm	-
N.I.	AR150RC	COWL ROOF Ø150mm FLUE	-
N.I.	AR150FD	FLUE PIPE FLEXI Ø150mm x 1000mm	-

<b>Publication Version Control Chart</b>		
<b>Issue Number</b>	<b>Reason</b>	<b>Date</b>
1	Original Document	22 01-2019