



Electrolux

ELECTROLUX HOME PRODUCTS PTY LTD

ABN 51 004 762 341

Technical Publication N° DW1114

Issue: 2

Date: 01/19

Dishlex

DOMESTIC HOUSEHOLD FREE STANDING DISHWASHER

CONTENTS	PAGE
CABINET and BASE ASSEMBLY	2
DOOR ASSEMBLY	4
ELECTRICAL COMPONENTS	6
HYRAULIC SYSTEM	8
CONTROL PANEL	10
BASKET ASSEMBLY	12
WIRING DIAGRAM	14
CIRCUIT DIAGRAM	15

NOTE: In Parts Listings

N.I.	=	Not Illustrated
N.P.A.	=	No Part Available
N.P.N.	=	Not Used on this Model

MODEL:

DSF6206W

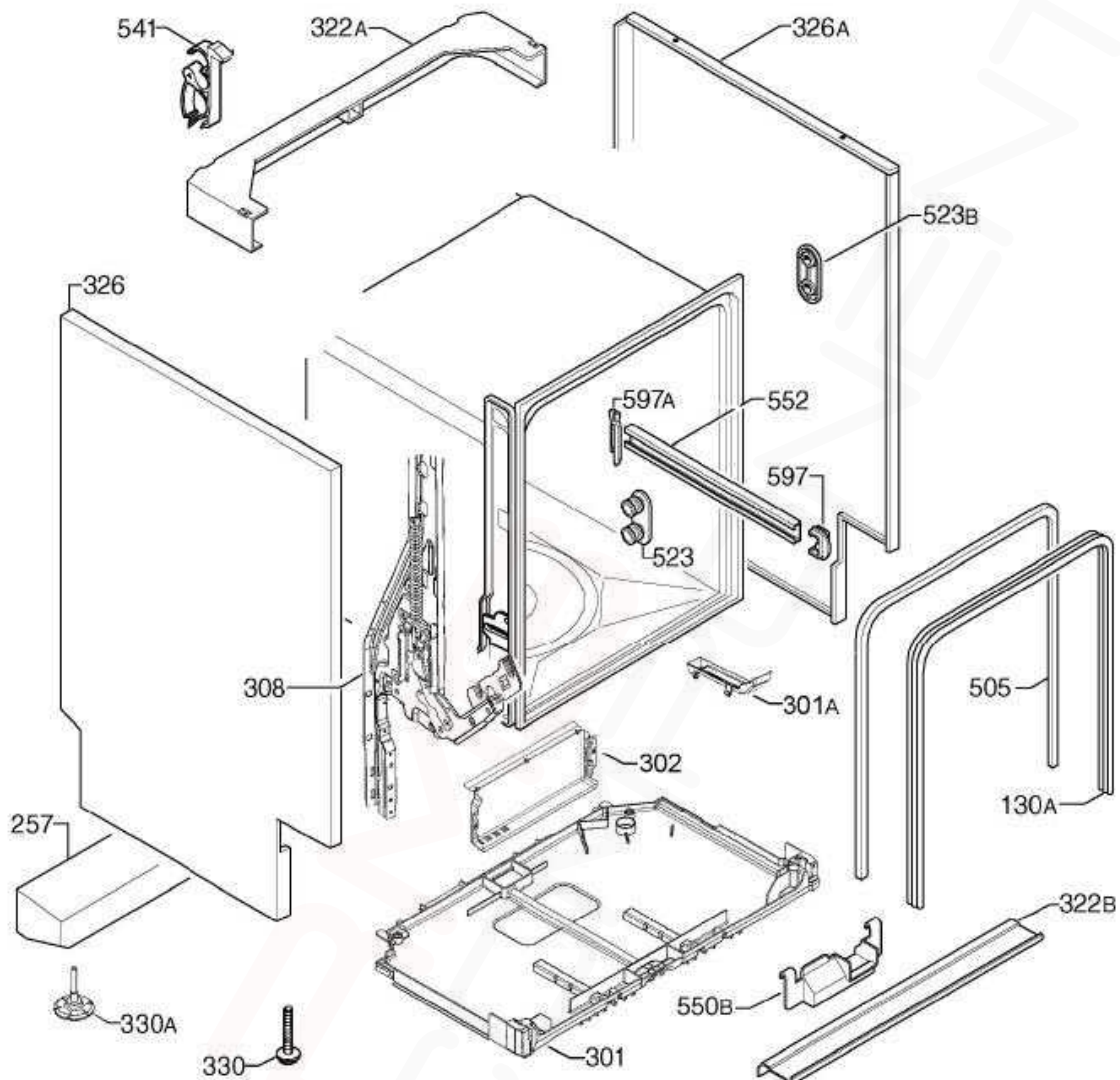
PNC: 911516340 00

DSF6206X

PNC: 911519341 00

MODEL: DSF6206W and DSF6206X

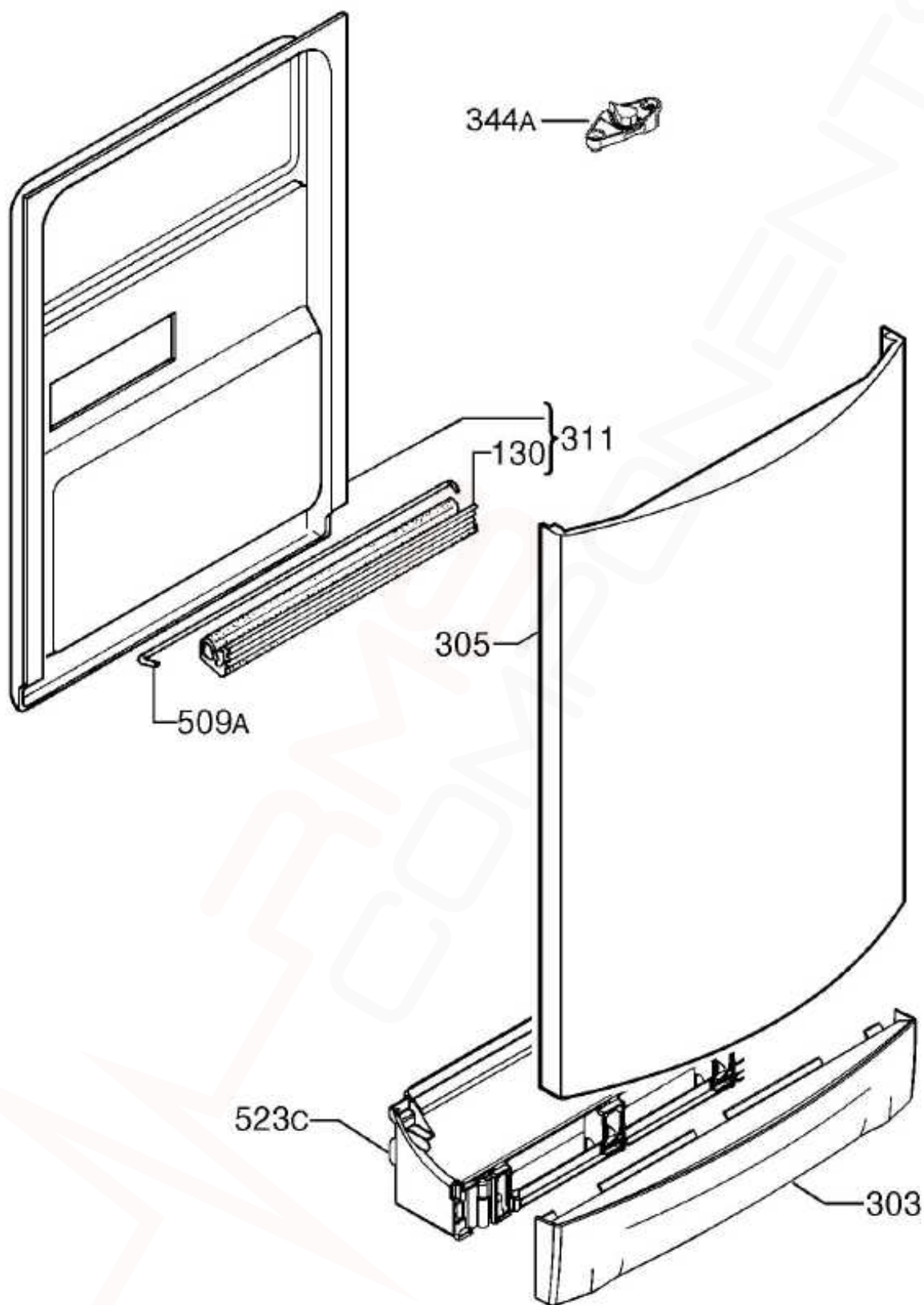
CABINET and BASE ASSEMBLY



ITEM	PART No.	DESCRIPTION	QTY 6206W	QTY 6206X
130A	1171265448	Sealing, outer, L=1730mm	1	1
257	NPA	Counterweight, 2,2kg	1	1
301	140000527113	Bottom tray	1	1
301A	4055250858	Kit, overflow hose, conveyor	1	1
302	140000750012	Cover, electronic, metal	1	1
308	4055425187	Hinge, assembly, left-right	1	1
322A	1170350050	Crossbar, rear, upper	1	1
322B	140000212039	Cross piece, front, bottom	1	1
326	140058001011	Side panel, left, white, 519x808mm	1	
326	140058001052	Side panel, left, inox, 519x808mm		1
326A	140058001029	Side panel, right, white, 519x808mm	1	
326A	140058001060	Side panel, right, inox, 519x808mm		1
330	1520664101	Adjustable foot,36x18mm	1	1
330A	8075188014	Adjustable foot,M8x48mm	1	1
505	1526715410	Trimming, tub, black	1	1
523	4055260790	Wheel support kit, dark grey, 4 pcs.	1	1
523B	1118814-00/1	Stiffening, Support	1	1
541	1526417009	Hose holder	1	1
550B	1522345071	Wiring protection	1	1
552	140101683021	Basket rail, upper	1	1
597	1520479419	Basket stop, front, dark grey	1	1
597A	6461234061	Stopper, back, dark grey	1	1
NI	4055046587	Clip, Rivet, stud, 24.5x5.8mm, 4 pcs.	1	1
NI	4055401972	Screw,hinge,Kit,10x, T20, 10mm	1	1

MODEL: DSF6206W and DSF6206X

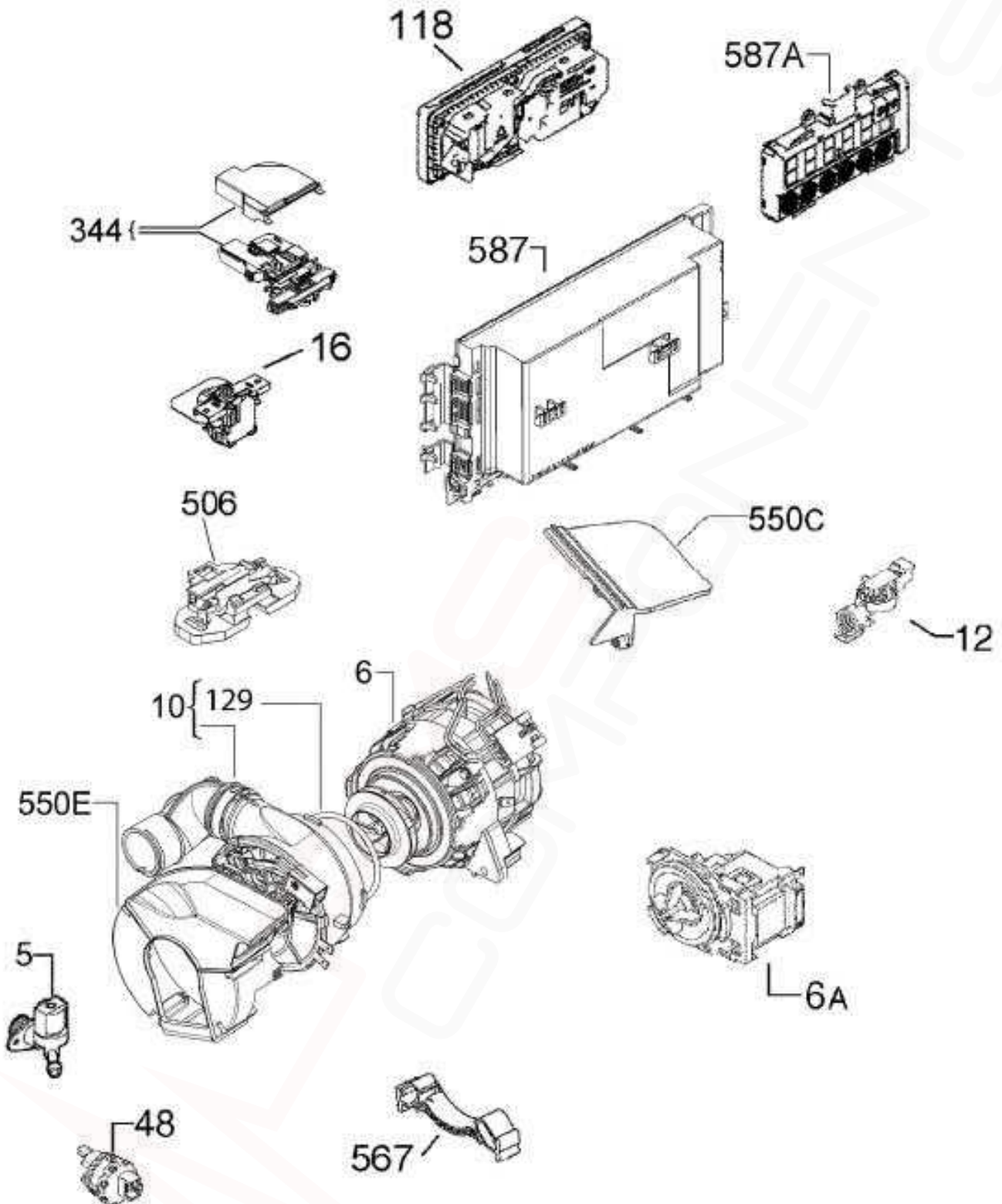
DOOR ASSEMBLY



ITEM	PART No.	DESCRIPTION	QTY 6206W	QTY 6206X
130	1527401002	Door gasket, bottom, black, L=550	1	1
303	8070407039	Plinth, white	1	
303	8070407013	Plinth, inox		1
305	1561221464	Outer door,white,60	1	
305	1561221456	Outer door,inox,60		1
311	140025959051	Inner door,577x617mm	1	1
344A	140035300064	Latch	1	1
509A	1520419142	Tie, hinge	1	1
523C	1170156036	Holder, plinth, dark grey	1	1

MODEL: DSF6206W and DSF6206X

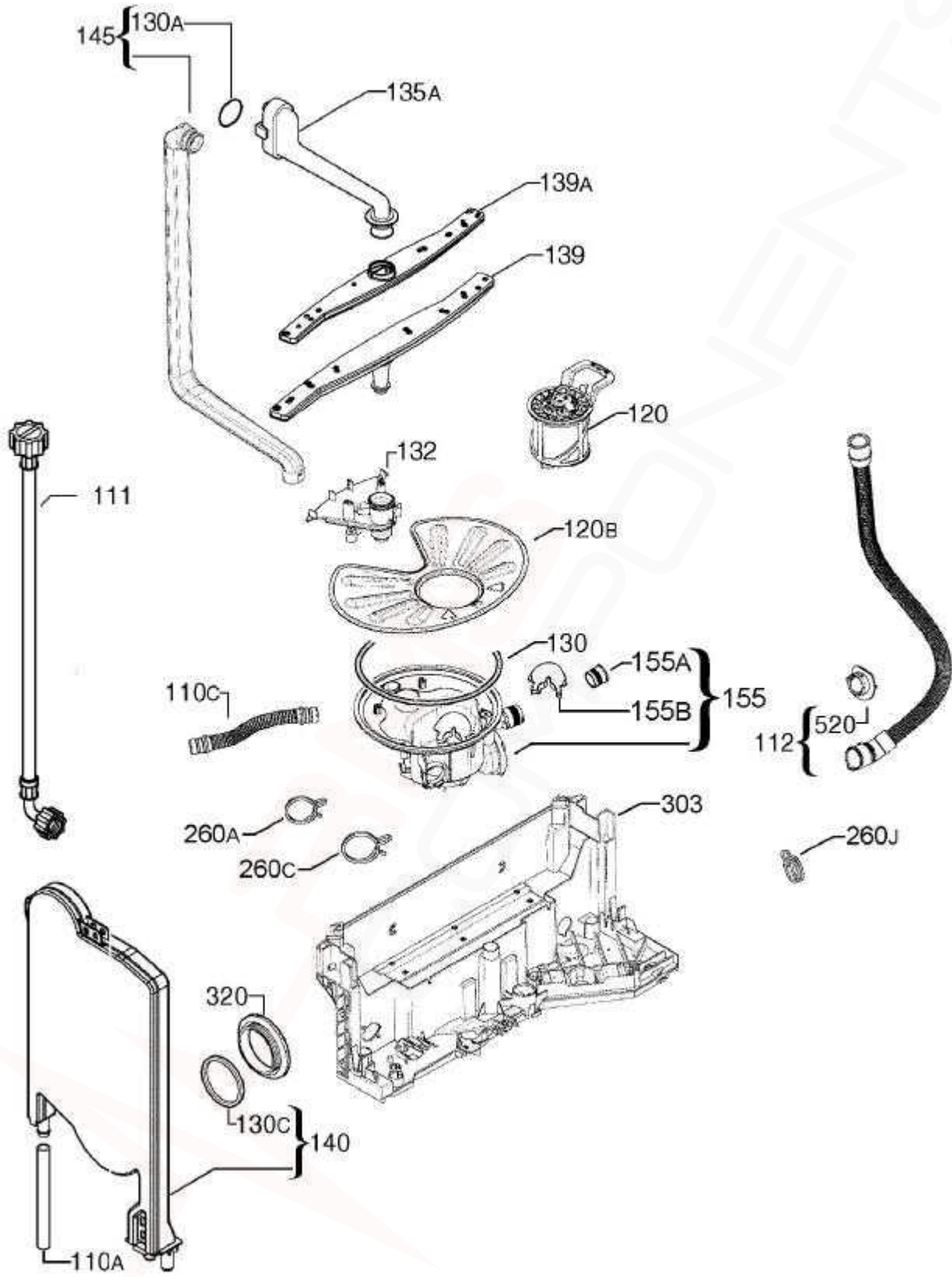
ELECTRICAL COMPONENTS



ITEM	PART No.	DESCRIPTION	QTY 6206W	QTY 6206X
005	140001158025	Fill valve, 2, 5l/min, 180' outlet	1	1
006	140002240020	Circulation pump, BLAC/90W	1	1
006A	140000443030	Drain pump, without, Hose, 50Hz	1	1
10	140002162190	Heater, with o-ring, 230V/1800W	1	1
12	140000554083	Pressure switch	1	1
16	140005730027	Main switch, low voltage	1	1
48	140000401012	Turbidity sensor, with, gasket	1	1
118	140000775019	Dispenser, detergent, reed, DIVA2	1	1
129	140039688019	O-ring, heater, circulation pump	1	1
344	4055425179	Door lock, without, door opener, 50N	1	1
506	140000565048	Float switch, assembly	1	1
550C	8080890018	Drip protection, motor	1	1
550E	140002173031	Cover, heater	1	1
567	1171934019	Motor bracket, buffer	1	1
587	140059122121B	Board PCB programmed PB150	1	1
587A	140020148056	User interface board, amber, EDW1500	1	1
NI	140001945033	Power cable, Australia 2,15m	1	1
NI	140061562033	Harness, door, (B)	1	1
NI	140061641043	Harness, base, (A)	1	1
NI	8076453037	Harness, heater, (C)	1	1

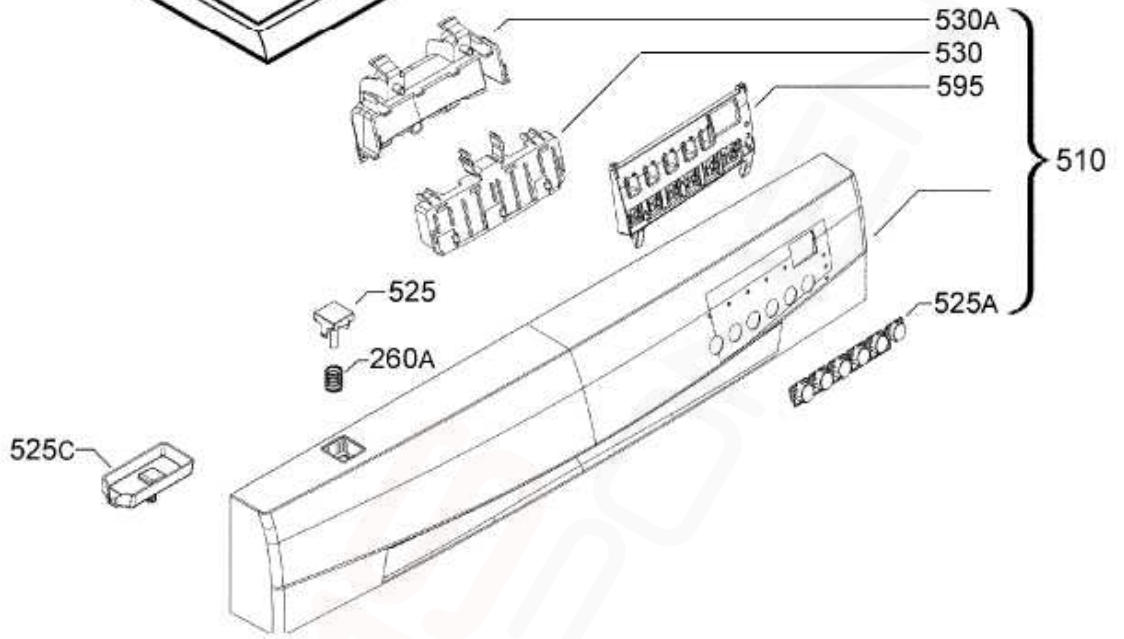
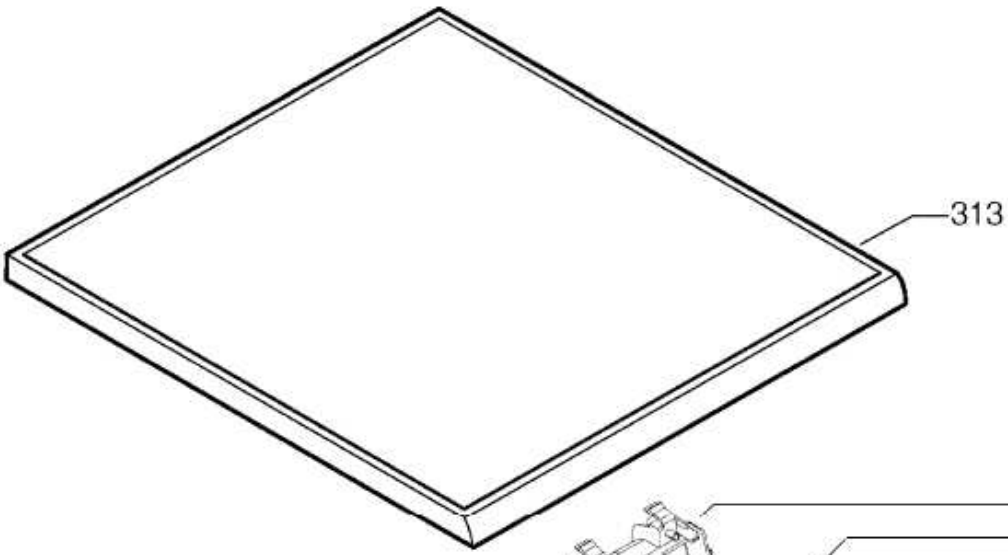
MODEL: DSF6206W and DSF6206X

HYDRAULIC SYSTEM



ITEM	PART No.	DESCRIPTION	QTY 6206W	QTY 6206X
110A	1526815103	Tube, Container cup, fill valve, L=280	1	1
110C	140000059034	Hose, sump, tank, L=370mm	1	1
111	1400000234030	Feeder hose,L-1500	1	1
112	140010997017	Drain hose, L=2230mm	1	1
120	8075472269	Drain filter, grey, assembly	1	1
120B	8084297046	Filter, flat, Indicator	1	1
130	1119186003	O-ring, sump	1	1
130A	1523119012	Seal, Channel drainage	1	1
130C	50659231000	Round seal, Container cup	1	1
132	1119158176	Lower spray arm, Support, dark grey	1	1
135A	1561425370	Duct, grey, L = 229,6mm	1	1
139	140000584072	Spray arm, lower, dark grey,459mm	1	1
139A	1118949526	Upper spray arm, dark grey	1	1
140	1170481731	Container cup, small	1	1
145	140000740021	Manifold, inner, dark grey	1	1
155	140000494413	Water sump, assembly, air trap	1	1
155A	140000536015	Flap, valve, water sump, D=23,2mm	1	1
155B	1119177010	Screen, sump	1	1
260A	8078689026	Clamp, circulation pump, flow control regulator	1	1
260C	8078689034	Clamp, circulation pump, sump,44.4mm/3.2mm	1	1
260J	8078689018	Clamp, drain hose, 30mm/2.8mm	1	1
303	NPA	Basement	1	1
320	1526272214	Grill, vapour outlet, dark grey	1	1
520	8072019014	Flange, discharge hose, D20mm	1	1

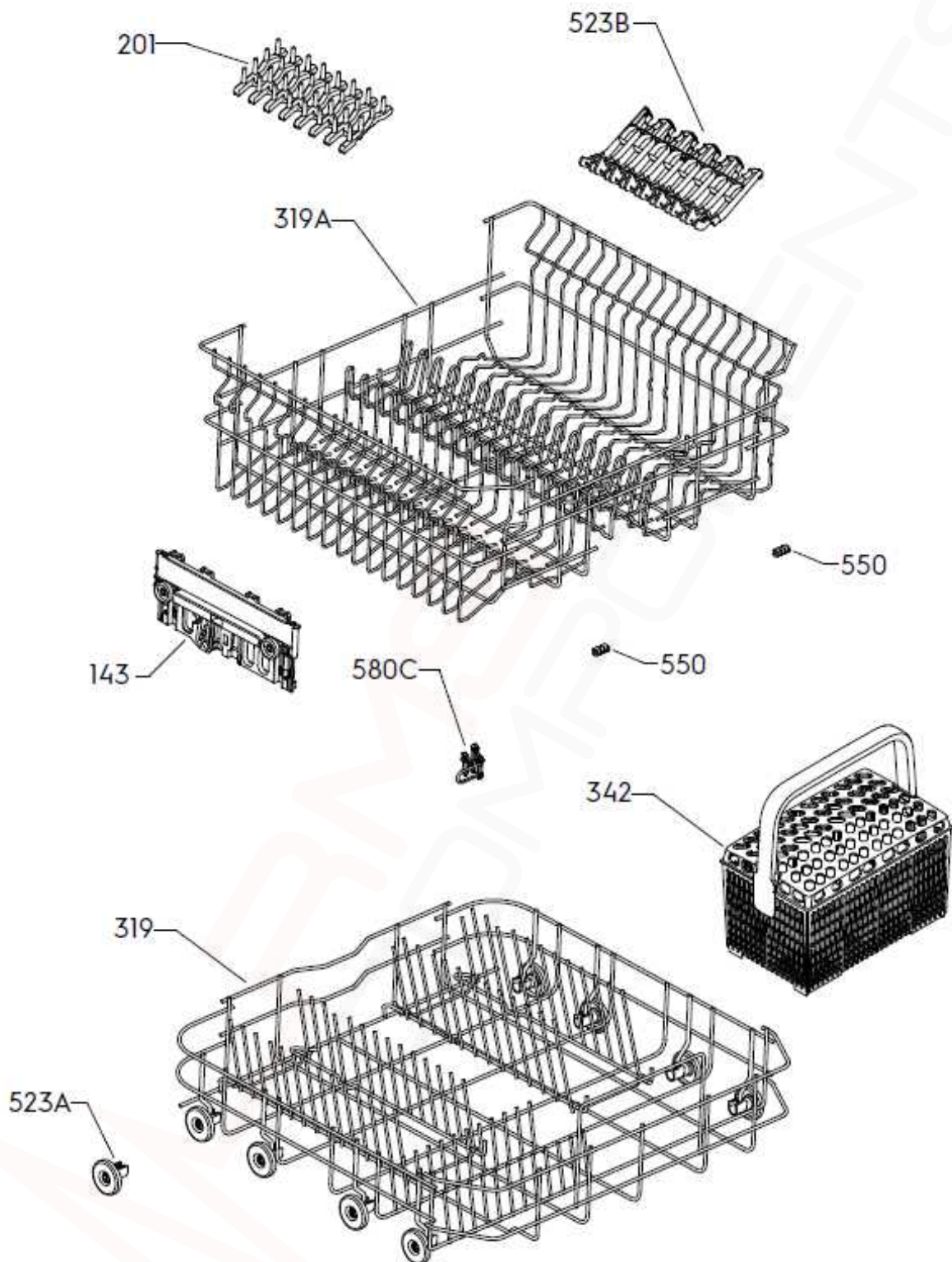
M
C



ITEM	PART No.	DESCRIPTION	QTY 6206W	QTY 6206X
260A	1173192004	Spring, on/off, button	1	1
313	1561348010	Work top, white, 60	1	
313	1561348218	Work top, assembly inox,		1
510	8086202226	Control panel, white, Dishlex, DSF6206W	1	
510	8086202234	Control panel, inox, Dishlex, DSF6206X		1
525	1173190008	Push button, on/off, white	1	
525	1173190206	Push button, on/off, inox		1
525A	140002473019	Push button set, white, 6 buttons	1	
525A	140002473027	Push button set, inox, 6 buttons		1
525C	140110424011	Push button, on/off, protection	1	1
530	140002463010	Handle, white	1	
530	140002463069	Handle, grey		1
530A	140002464018	Handle, Cover, white	1	
530A	140002464067	Handle, Cover, grey		1
595	140002474017	Support, push button set	1	1

MODEL: DSF6206W and DSF6206X

BASKET ASSEMBLY



ITEM	PART No.	DESCRIPTION	QTY 6206W	QTY 6206X
143	1527359945	Adjustment, Right , grey, QUICK LIFT	1	1
143	1527359952	Adjustment, Left , grey, QUICK LIFT	1	1
201	1380184109	Spikes, rubber, grey, 8x4/175x75, 3mm	1	1
319	8090030076	Dishwasher basket, bottom, grey, 524x515mm	1	1
319A	140000152037	Dishwasher basket, upper, silver, 517x467mm	1	1
342	1525593222	Cutlery basket, dark grey	1	1
523A	50286965004	Wheel kit, 8 pcs., dark grey, DIVA45/60 D=40mm	1	1
523B	140001199052	Support, cup, dark grey	1	1
550	4055362000	Rubber buffer, dishwasher basket, 10 pcs.	1	1
580C	140018976013	Hook, upper basket, dispenser	1	1

ABBREVIATION	MEANING
BASE BOARD	Main electronic board
BOF/BH	Indication of operation
CAPACITOR	Capacitor
DISPENSER	Detergent dispenser
DOOR LOCK	Door lock
DRAIN PUMP	Drain pump
FLOW CONTROL	Flow meter
HEATER	Heating element
INLET VALVE	Inlet Valve
INPUT BOARD	User interface (display)
LEAKAGE SWITCH	Anti-flooding device
MAIN SWITCH	Main switch
NTC/TURB. SENSOR	Turbidity sensor
POWER CORD	Power supply
PRESSURE SENSOR	Pressure Sensor
REG. VALVE	Regeneration valve
RINSE AID	Resin conditioning water switch
SALT AID	Salt
WASH PUMP	Washing pump
GN/YE	Green/yellow
RD	Red
BU	Blue
BR	Brown
BK	Black
TACHO	Tachometric generator