

***DISHLEX***

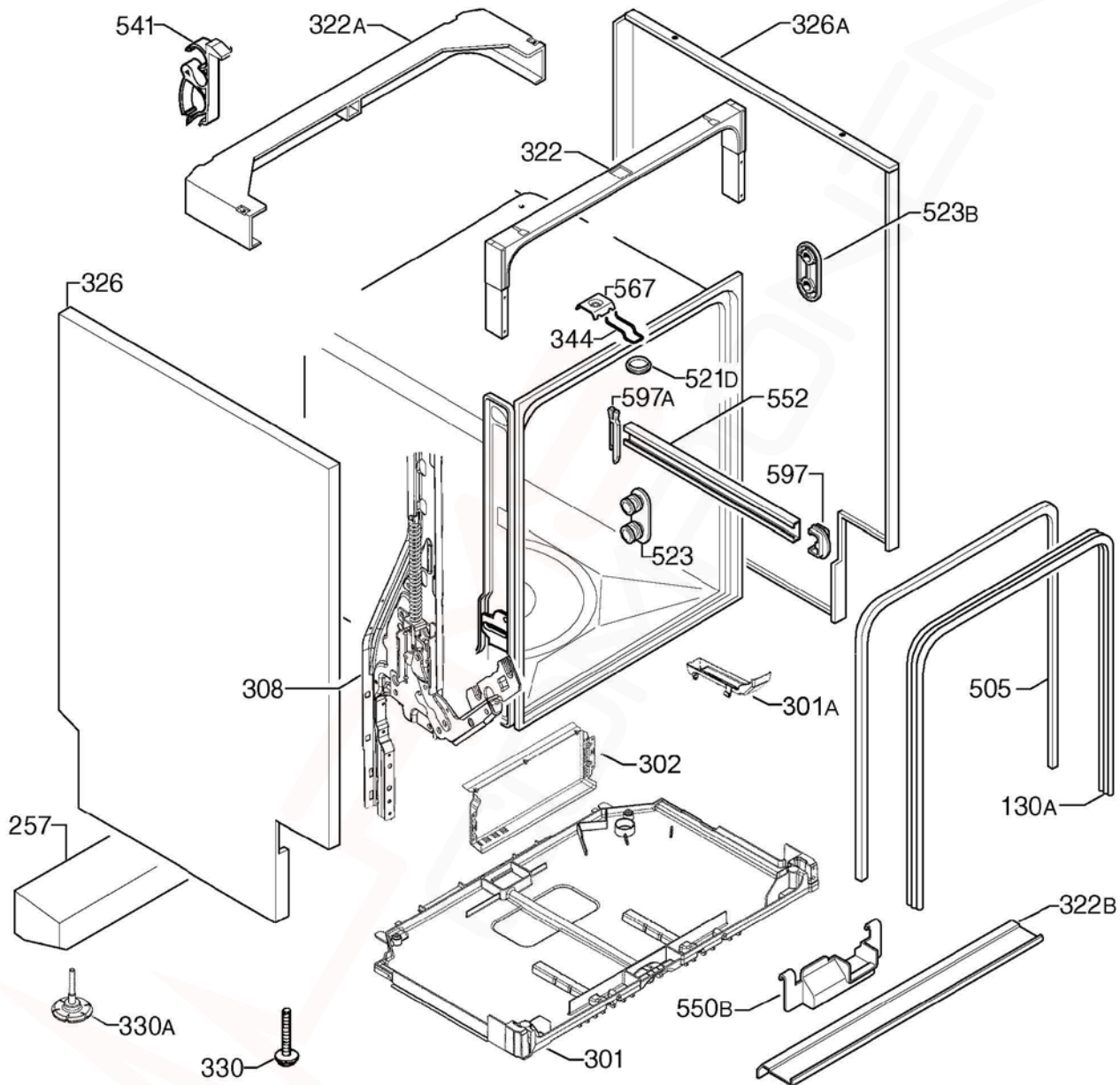
***DOMESTIC HOUSEHOLD  
FREESTANDING DISHWASHER***

CONTENTS	PAGE Nº
<b>CABINET and BASE ASSEMBLY</b>	<b>2 &amp; 3</b>
<b>DOOR ASSEMBLY</b>	<b>4 &amp; 5</b>
<b>ELECTRICAL COMPONENTS</b>	<b>6 &amp; 7</b>
<b>PUMP, SUMP and HYDRAULIC SYSTEM</b>	<b>8 &amp; 9</b>
<b>CONTROL PANEL and WORKTOP ASSEMBLY</b>	<b>10 &amp; 11</b>
<b>BASKET ASSEMBLY</b>	<b>12 &amp; 13</b>
<b>AFTER MARKET ACCESSORIES</b>	<b>14</b>
<b>WIRING DIAGRAM, LEGEND and CIRCUIT DIAGRAM</b>	<b>15 - 17</b>

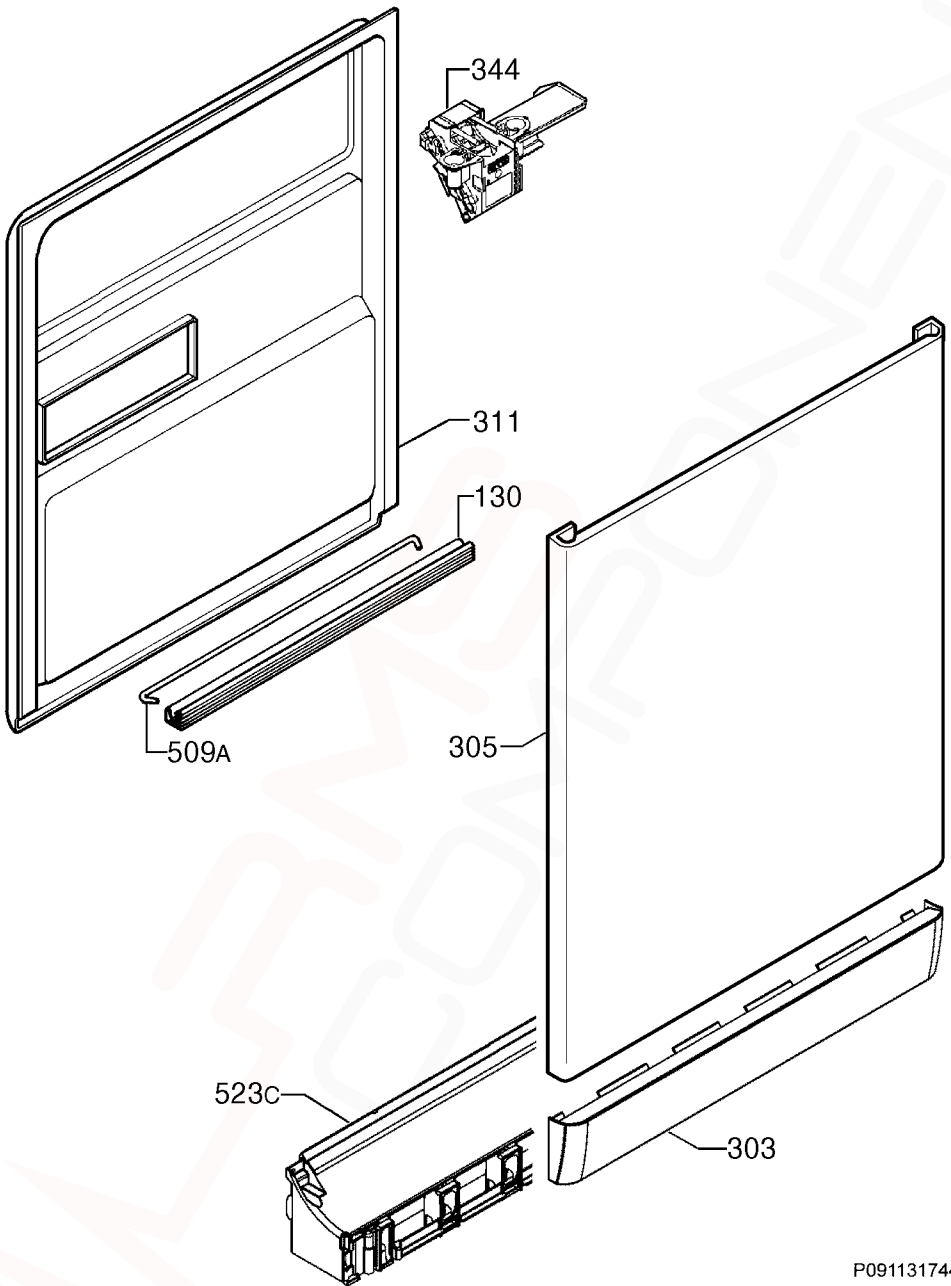
**NOTE: In Parts Listings**

**N.I. = Not Illustrated**  
**N.P.A. = No Part Available**  
**N.P.N. = Not Used on this Model**

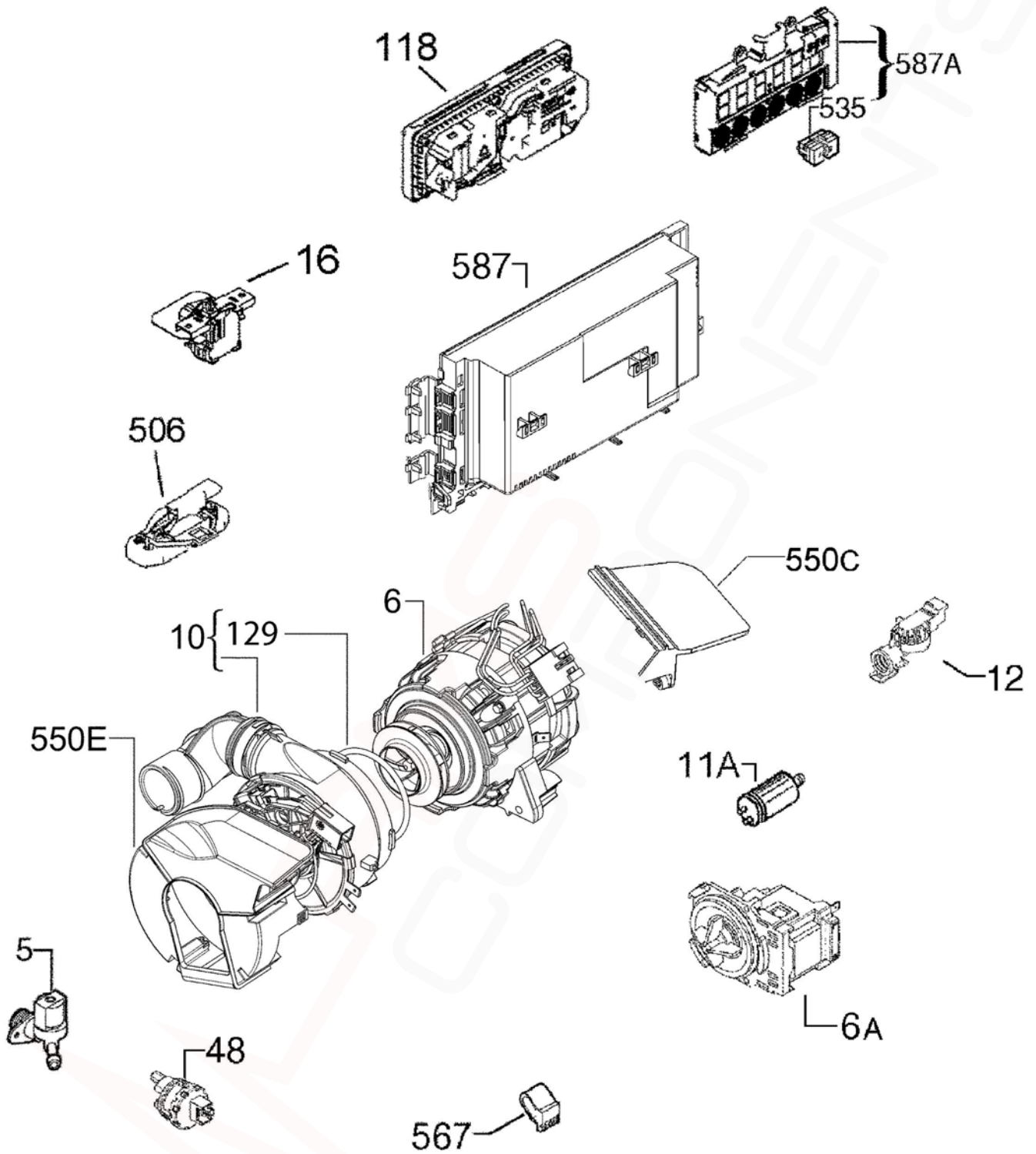
**MODEL:****DSF6206W****PNC:****911516240 01**



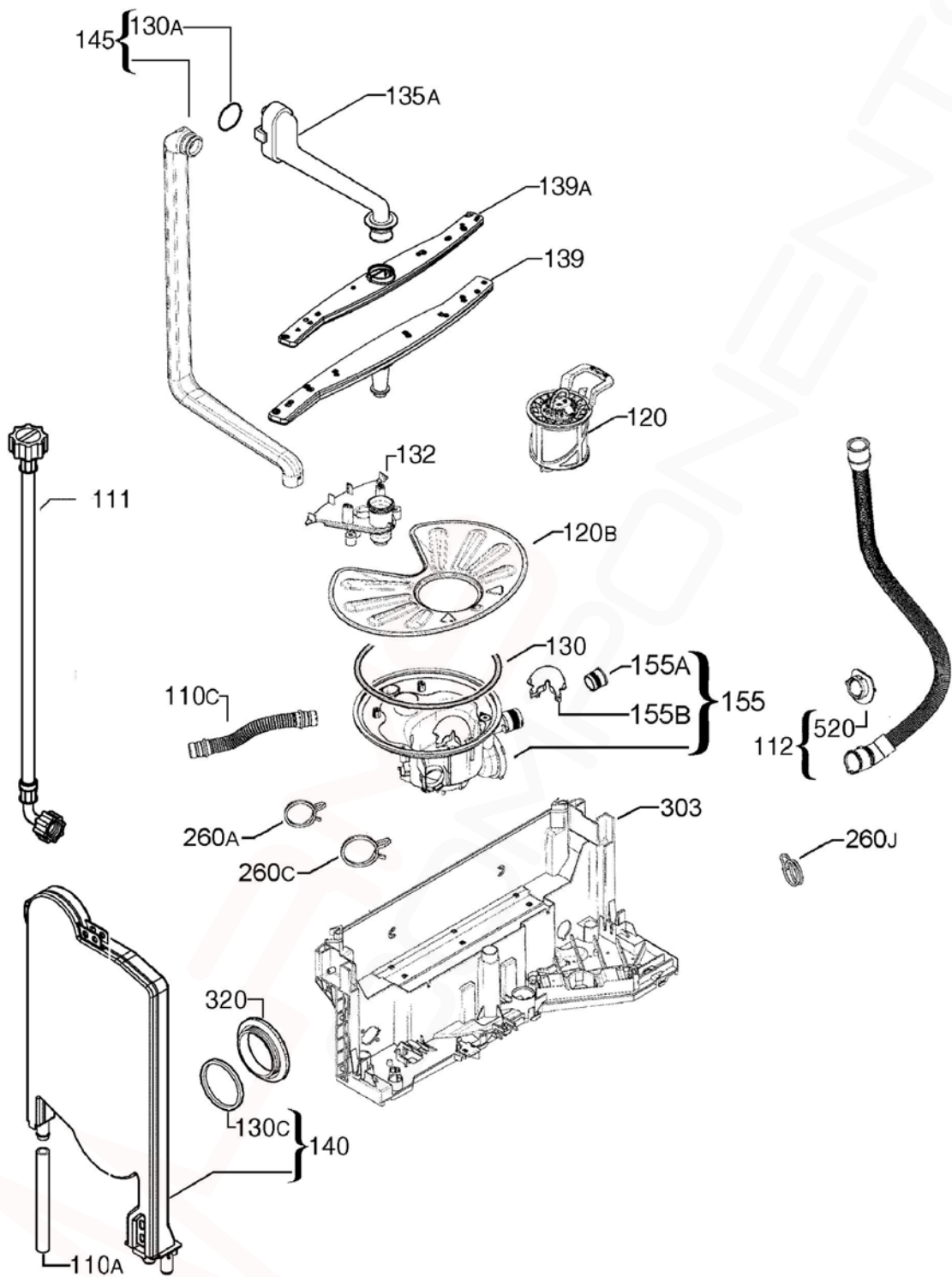
ITEM	PART N°	DESCRIPTION	EX. P09113205015	QTY
130A	1524445-01/0	GASKET DOOR x 17300mm		1
257	N.P.A.	COUNTERWEIGHT 2.2kg		-
301	140000527014	TRAY BOTTOM SPILLAGE		1
301A	4055250858	KIT OVERFLOW HOSE		1
302	140000750012	COVER ELEC CONTROL BOX		1
308	4055325056	KIT HINGE DOOR LH/RH		1
322	1560799114	BRACE FRONT UPPER		1
322A	1170350043	BRACE CROSSBAR UPPER REAR		1
322B	140000212039	BRACE CROSSBAR FRONT LOWER		1
326	140043274012	PANEL SIDE LEFT - WHITE		1
326A	140043274020	PANEL SIDE RIGHT - WHITE		1
330	1520664-10/1	FOOT ADJUSTABLE x 36mm LONG		2
330A	8075188014	FOOT ADJUSTABLE M8 x 48mm LONG		2
344	1522344-05/8	LATCH DOOR LOCK		1
505	1526715410	TRIM TUB BLACK		1
521D	1526576-00/2	COVER LATCH HOLE		1
523	4055260790	SUPPORT ROLLER KIT (PKT 4)		1
523B	1118814-00/1	BRACKET STIFFENING		4
541	N.P.A.	CLAMP HOSE		-
550B	1522345071	COVER WIRING PROTECTION		4
552	140003656026	RAIL BASKET UPPER		2
567	1523236-03/0	NUT SPEED CLIP		1
597	1520479419	STOP BASKET UPPER FRONT D/GREY		2
597A	6461234061	STOP BASKET UPPER REAR D/GREY		2



<b>ITEM</b>	<b>PART N°</b>	<b>DESCRIPTION</b>	<b>EX. P09113174465</b>	<b>QTY</b>
130	<b>1527401-00/2</b>	GASKET DOOR LOWER BLK x 550mm LONG		1
303	<b>8070407039</b>	PLINTH WHITE		1
305	<b>1561221464</b>	PANEL OUTER DOOR WHITE		1
311	<b>140025959028</b>	DOOR INNER INOX 577mm x 617mm		1
344	<b>1113150120</b>	LATCH DOOR LOCK		1
509A	<b>1520419-14/2</b>	TIE HINGE		1
523C	<b>1170156-03/6</b>	HOLDER PLINTH		1

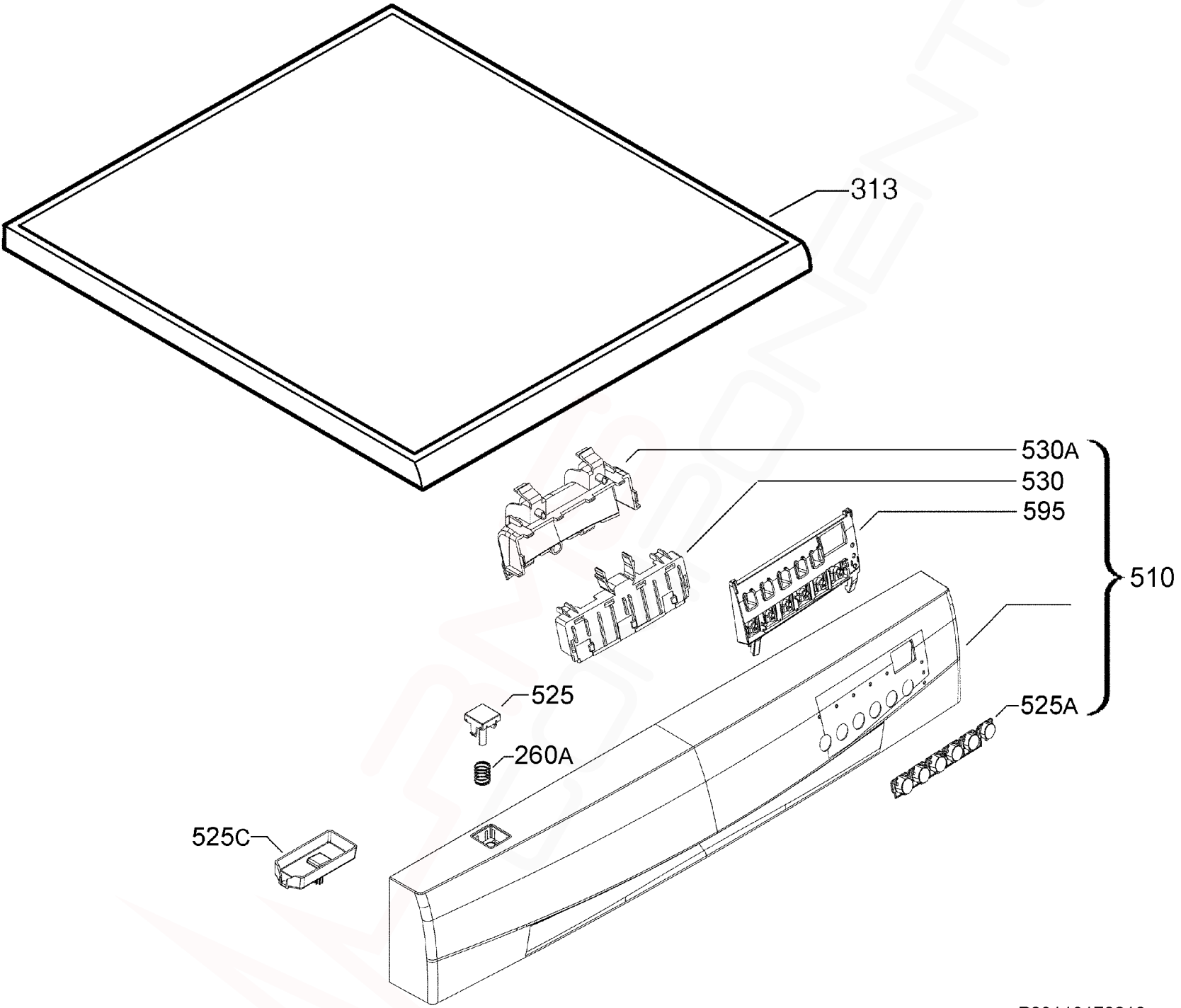


ITEM	PART N°	DESCRIPTION Ex. P09113214169	QTY
5	140001158017	VALVE FILL 2.5L/MIN	1
6	140002105025	PUMP RECIRCULATION ASYNC 90W	1
6A	140000443030	PUMP DRAIN 50HZ	1
10	140002162190	HEATER WITH O-RING 230V/1800W	1
11A	1115927012	CAPAC 3µF MOTOR DISHWASHER	1
12	140000554067	SWITCH PRESSURE	1
16	1113337024	SWITCH MAIN AUTO OFF	1
48	140000401012	SENSOR TEMPERATURE TURBIDITY	1
118	1113330128	DISPENSER DETERGENT	1
129	140039688019	SEAL O-RING HEATER-PUMP CIRC	1
506	140000565048	SWITCH & FLOAT ASSY	1
535	1119387007	DISPLAY LED 7mm	1
550C	8080890018	COVER MOTOR DRIP PREVENTION	1
550E	140002173031	COVER HEATER	1
567	1171934019	SUPPORT BRACKET MOTOR RUBBER	1
587	973911516240018	PCB MAIN CONFIGURED DSF6206_01	1
587A	1113367617	BOARD INTERFACE AMBER EDW1500	1
N.I.	140001945033	CORD SERVICE AU 2.15M	1
N.I.	140008919015	HARNESS PCB DOOR	1
N.I.	8074849012	HARNESS PCB HEATER	1
N.I.	8091583081	HARNESS PCB PUMP	1

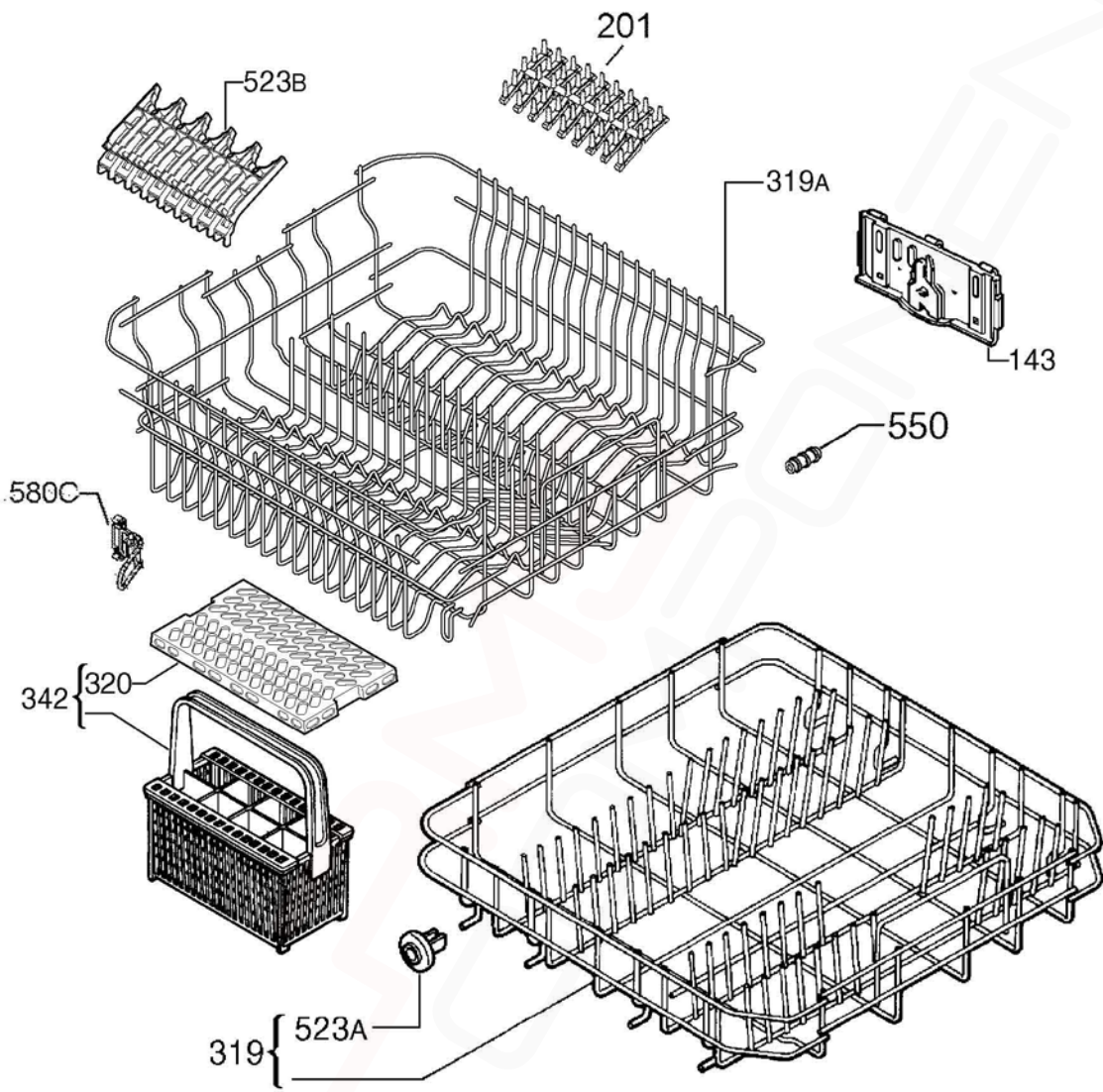




<b>ITEM</b>	<b>PART N°</b>	<b>DESCRIPTION</b>	<b>Ex. P09113211262</b>	<b>QTY</b>
110A	<b>1526815-10/3</b>	TUBE AIR CHAMBER		1
110C	<b>140000059034</b>	HOSE SUMP TO WATER SOFT x 370mm		1
111	<b>1400000234030</b>	HOSE FEEDER x 1500mm LONG		1
112	<b>140010997017</b>	HOSE DRAIN x 2230mm		1
120	<b>8075472178</b>	FILTER DRAIN ASSEMBLY - FINE		1
120B	<b>8084297046</b>	FILTER FLAT + INDICATOR		1
130	<b>1119186003</b>	O-RING SUMP		1
130A	<b>1523119-01/2</b>	SEAL CHANNEL DRAINAGE		1
130C	<b>50659231-00/0</b>	SEAL AIR CHAMBER		1
132	<b>1119158176</b>	SUPPORT SPRAY ARM LOWER DRK GR		1
135A	<b>1561425370</b>	CHANNEL FEED UPPER SPRAYARM		1
139	<b>140000584072</b>	SPRAY ARM LOWER DARK GREY		1
139A	<b>1118949526</b>	SPRAY ARM UPPER DARK GREY		1
140	<b>1170481764</b>	CONTAINER CUP SMALL		1
145	<b>140000740021</b>	TUBE MANIFOLD INNER DARK GREY		1
155	<b>140000494413</b>	SUMP WATER ASSEMBLY / AIR TRAP		1
155A	<b>140000536015</b>	VALVE NON-RETURN FLAP SUMP		1
155B	<b>1119177010</b>	TRAP SUMP PUMP DRAIN		1
260A	<b>8078689026</b>	CLAMP CIRC PUMP FLOW REGULATOR		1
260C	<b>8078689034</b>	CLAMP CIRCULATION PUMP-SUMP		1
260J	<b>8078689018</b>	CLAMP DRAIN HOSE Ø30mm		1
303	<b>140000531065</b>	BASEMENT REAR		1
320	<b>1526272214</b>	VENT VAPOUR OUTLET		1
520	<b>8072019014</b>	CLAMP COLLAR DRAIN HOSE		1



<b>ITEM</b>	<b>PART N°</b>	<b>DESCRIPTION</b>	<b>EX. P09113176216</b>	<b>QTY</b>
260A	<b>1173192004</b>	SPRING ON/OFF BUTTON		1
313	<b>1561348010</b>	TOP WORKING ASSEMBLY WHITE		1
510	<b>8086202226</b>	PANEL CONTROL WHITE DSF6206W		1
525	<b>1173190008</b>	ON/OFF BUTTON WHITE		1
525A	<b>140002473019</b>	BUTTON PUSH - WHITE (SET 6)		1
525C	<b>1173189000</b>	ON/OFF BUTTON PROTECTION		1
530	<b>140002463010</b>	HANDLE WHITE		1
530A	<b>140002464018</b>	MOUNTING HANDLE GREY		1
595	<b>140002474017</b>	SUPPORT BUTTON PUSH (SET 6)		1



ITEM	PART N°	DESCRIPTION	EX. P09113197470	QTY
143	<b>1527359945</b>	ROLLER BASKET RH QUIK LIFT		1
	<b>1527359952</b>	ROLLER BASKET LH QUIK LIFT		1
201	<b>ACC088</b>	SUPPORT SPIKES RUBBER - GREY		1
319	<b>8090030076</b>	BASKET LOWER COMPLETE ASSY		1
319A	<b>140000152037</b>	BASKET UPPER DISHWASH ASSY		1
320	<b>REFER ITEM 342</b>	GRATE CUTLERY BASKET DK GREY		-
342	<b>ACC107</b>	BASKET CUTLERY UNIVERSAL		1
523A	<b>50286965-00/4</b>	ROLLER KIT LOWER PKT 8		1
523B	<b>140001199052</b>	SUPPORT CUP GREY		1
550	<b>8070264018</b>	BUFFER BASKET UPPER		1
580C	<b>140018976013</b>	HOOK BASKET UPPER DISPENSER		1

## DISHWASHER ACCESSORY COMPONENTS - DISHLEX



ITEM	PART N°	DESCRIPTION
1	ACC017	Scalex Plus Descaler Sachet 75gm
2	ACC100	Detergent Dishwasher 1kg
3	ACC102	Rinse Aid Additive 500mls
4	ACC103	Descaler Powder 350g <b>(Dangerous Goods rules apply, min order Qty of 12)</b>
5	ACC002	Dishwasher Salt 1kg Pack
6	ACC088	Support Spikes Rubber – Grey
N.I.	ES5323K	Hose Drain Extension Kit (1M Length)
N.I.	0571400142	Hose Drain Extension Straight Cuffs (2M Length)

LEGEND for WIRING DIAGRAM A00185904a - b

<b>P0000300001690</b>	
BASE BOARD	Main Electronic Board
BOF/BH	Indication Of Operation
CAPACITOR	Capacitor
DISPENSER	Detergent Dispenser
DOOR LOCK	Door Lock
DRAIN PUMP	Drain Pump
FLOW CONTROL	Flow Meter (n/a)
HEATER	Heating Element
INLET VALVE	Inlet Valve
INPUT BOARD	User Interface (Display)
LEAKAGE SWITCH	Anti-Flooding Device
MAIN SWITCH	Main Switch
NTC/TURB. SENSOR	Turbidity Sensor
POWER CORD	Power Supply
PRESSURE SENSOR	Pressure Sensor
REG. VALVE	Regeneration Valve (n/a)
RINSE AID	Resin Conditioning Water Switch (n/a)
SALT AID	Salt (n/a)
WASH PUMP	Washing Pump
GN/YE	Green/Yellow
RD	Red
BU	Blue
BR	Brown
BK	Black