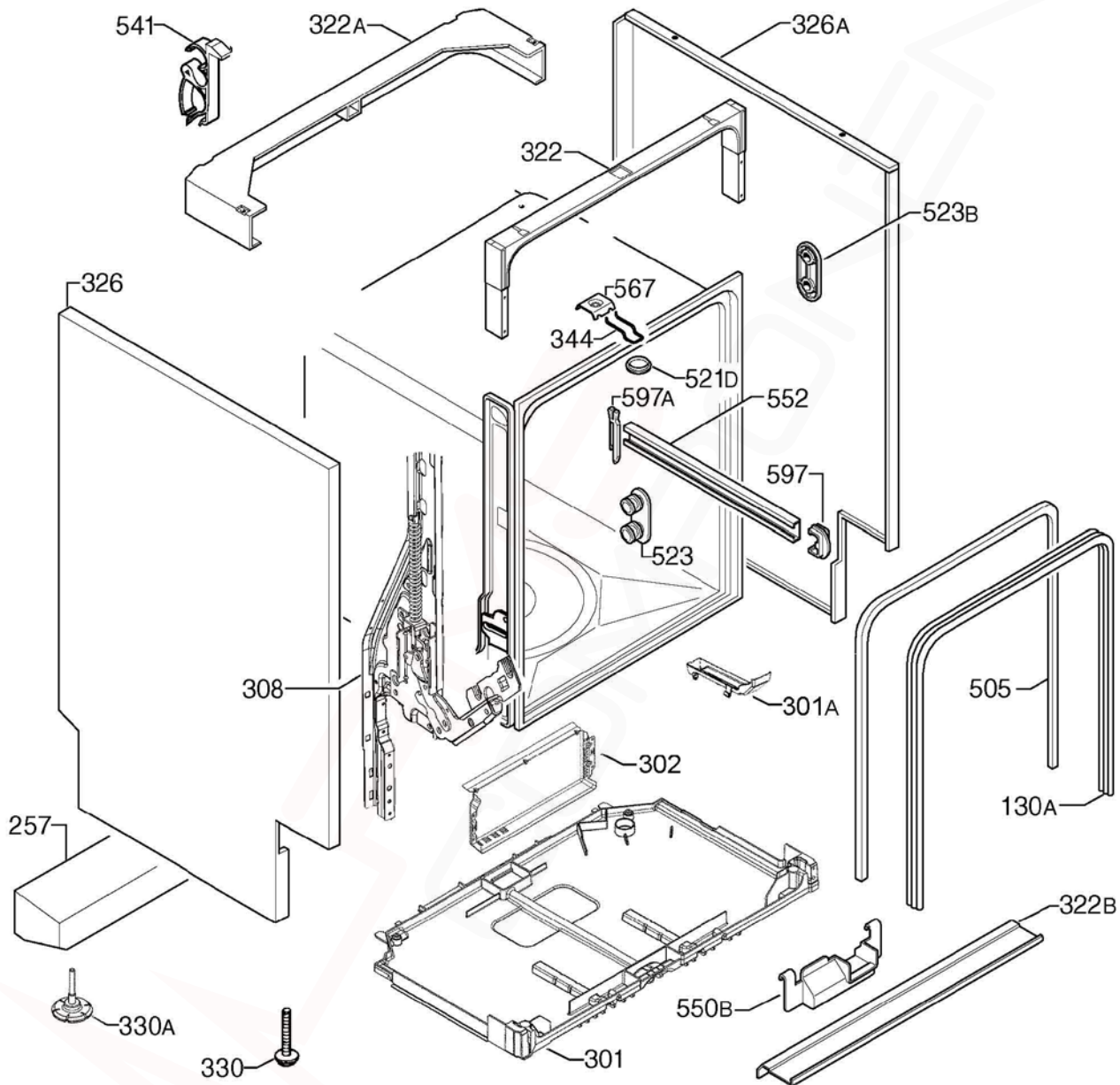


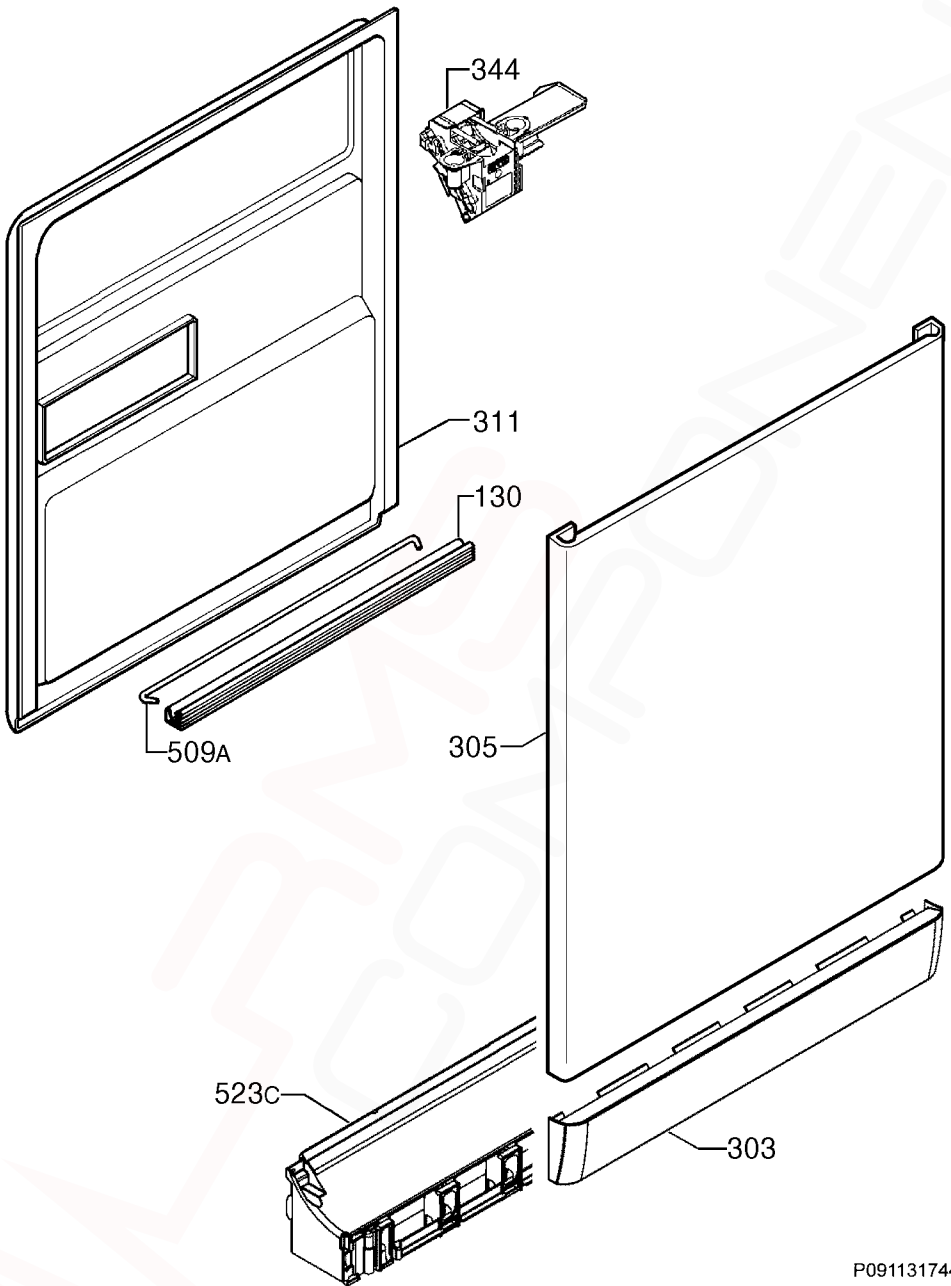
DISHLEX***DOMESTIC HOUSEHOLD
FREESTANDING DISHWASHER***

CONTENTS	PAGE N°
CABINET and BASE ASSEMBLY	2 & 3
DOOR ASSEMBLY	4 & 5
ELECTRICAL COMPONENTS	6 & 7
PUMP, SUMP and HYDRAULIC SYSTEM	8 & 9
WORKTOP & CONTROL PANEL	10 & 11
BASKET ASSEMBLY	12 & 13
AFTER MARKET ACCESSORIES	14
WIRING DIAGRAM, LEGEND and CIRCUIT DIAGRAM	15 - 17

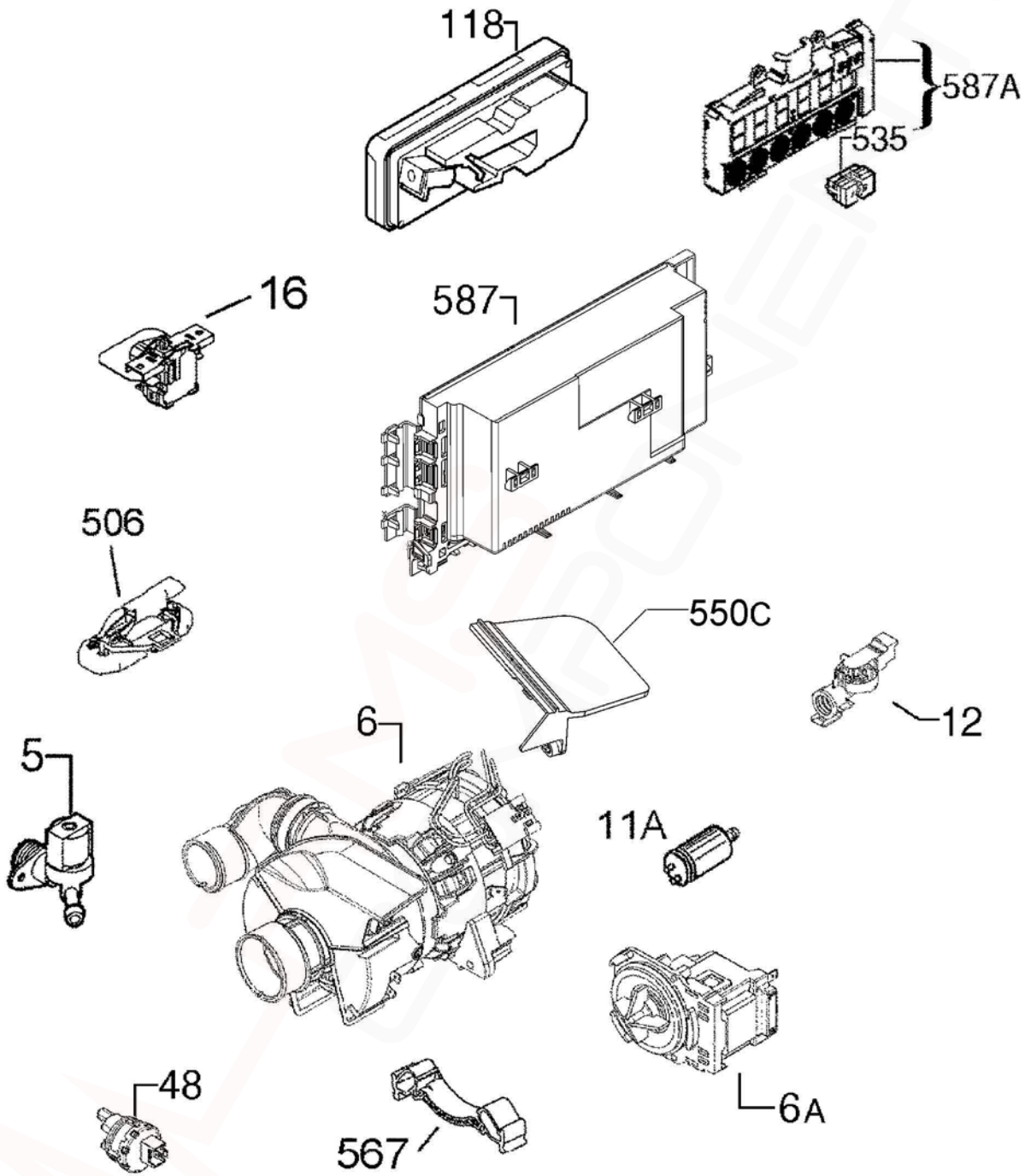
NOTE: In Parts Listings**N.I. = Not Illustrated****N.P.A. = No Part Available****N.P.N. = Not Used on this Model*****MODEL:******DSF6206W******PNC:******911516240 00***



ITEM	PART N°	DESCRIPTION	EX. P09113205015	QTY
130A	1171265026	GASKET DOOR 1730mm		1
257	N.P.A.	COUNTER WEIGHT		-
301	140000527014	TRAY BOTTOM SPILLAGE		1
301A	4055250858	KIT OVERFLOW HOSE		2
302	140000750012	COVER ELEC CONTROL BOX		1
308	4055325056	KIT HINGE DOOR LH/RH		1
322	1560799114	BRACE FRONT UPPER		1
322A	1170350043	BRACE CROSSBAR UPPER REAR		1
322B	140000212039	BRACE CROSSBAR FRONT LOWER		1
326	1170153421	PANEL SIDE LEFT - WHITE		1
326A	1170153520	PANEL SIDE RH		1
330	1520664-10/1	FOOT ADJUSTABLE x 36mm LONG		2
330A	8075188014	FOOT ADJUSTABLE x 48mm		2
344	1522344-05/8	LATCH DOOR LOCK		1
505	1526715410	TRIM TUB BLACK		1
521D	1526576101	COVER LATCH HOLE		1
523	4055260790	SUPPORT ROLLER KIT (PKT 4)		1
523B	1118814-00/1	BRACKET STIFFENING		4
541	N.P.A.	CLAMP HOSE		-
550B	1522345071	COVER WIRING PROTECTION		1
552	140003656026	RAIL BASKET UPPER		2
567	1523236-03/0	NUT SPEED CLIP		1
597	1520479419	STOP BASKET UPPER FRONT D/GREY		2
597A	6461234061	STOP BASKET UPPER REAR D/GREY		2

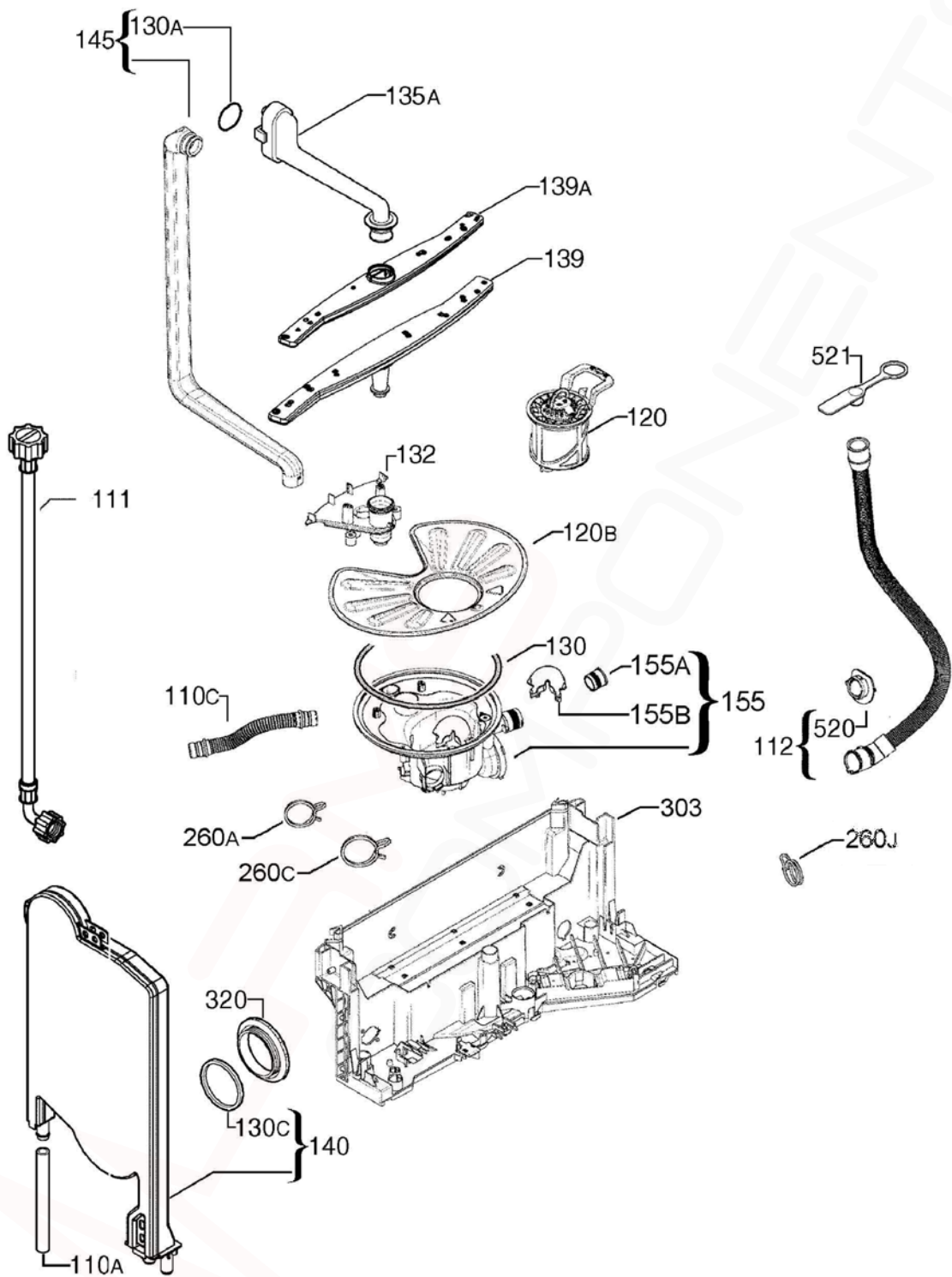


ITEM	PART N°	DESCRIPTION	EX. P09113174465	QTY
130	1527401-00/2	GASKET DOOR LOWER BLK x 550mm		1
303	8070407039	PLINTH WHITE		1
305	1561221464	PANEL DOOR OUTER - WHITE		1
311	140025959028	DOOR INNER INOX 577 x 617		1
344	1113150120	LATCH DOOR LOCK		1
509A	1520419-14/2	TIE HINGE		1
523C	1170156-03/6	HOLDER PLINTH		1

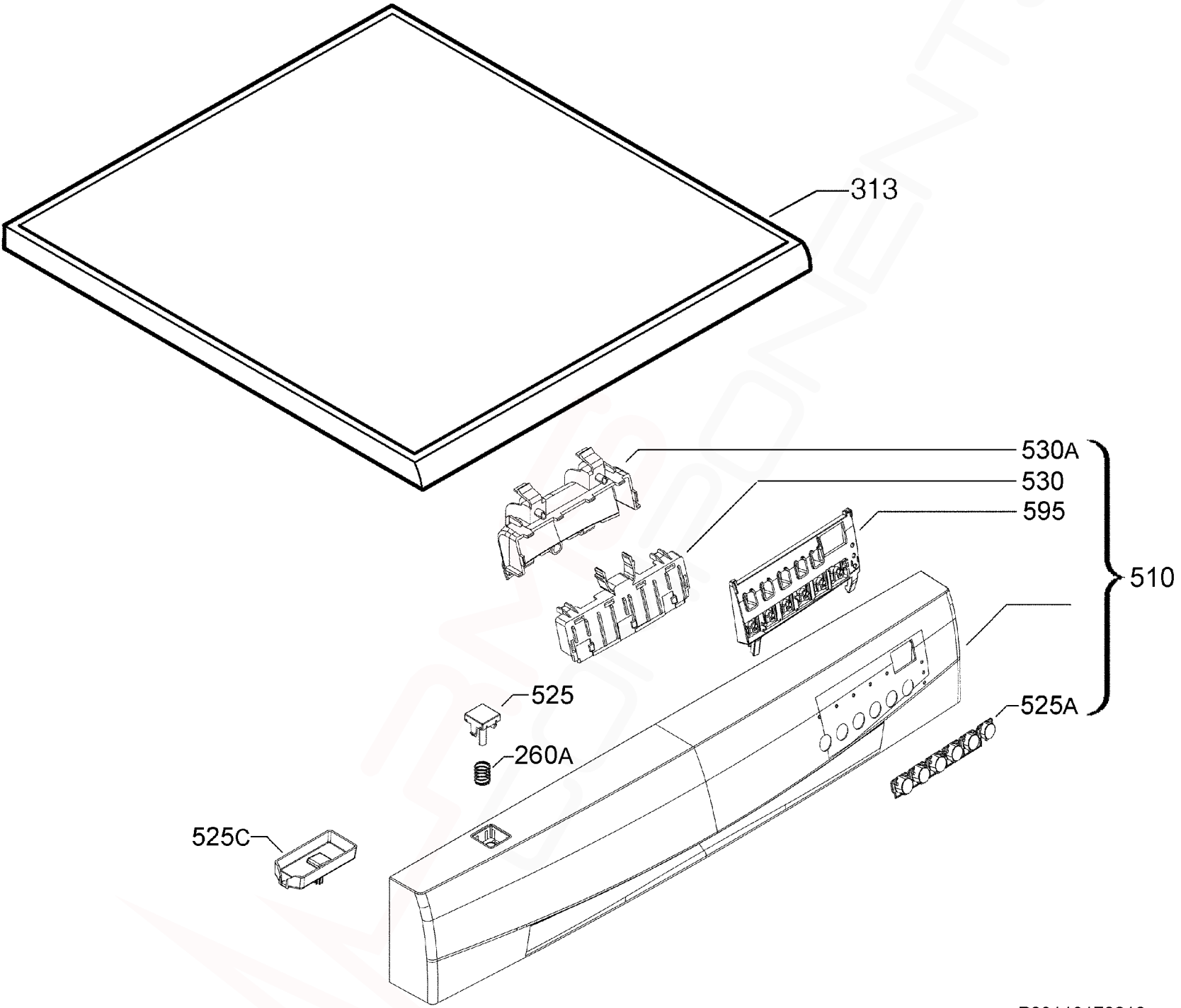


ELECTRICAL
COMPONENTS

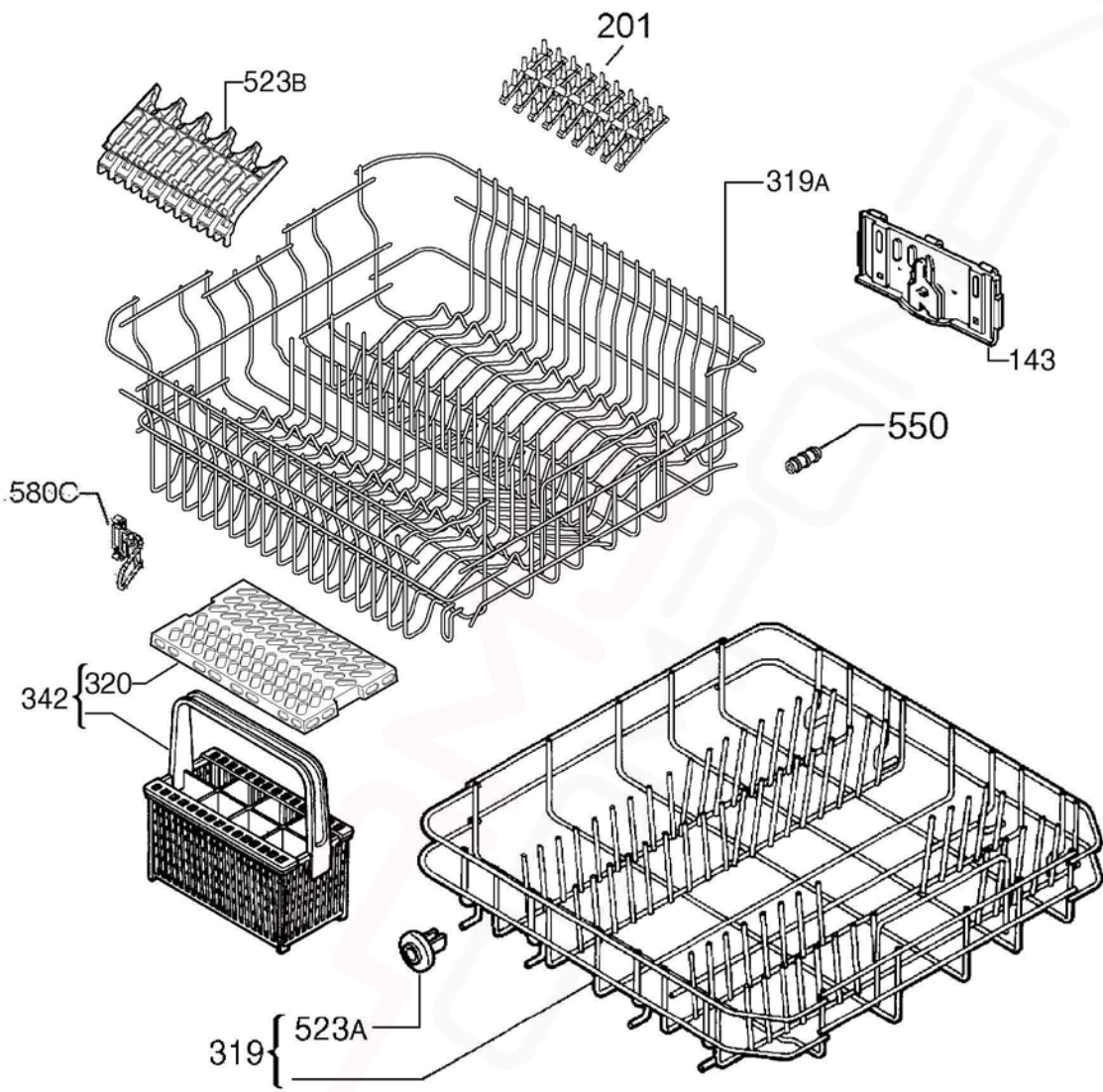
ITEM	PART N°	DESCRIPTION	EX. P09113183466	QTY
5	140001158017	VALVE FILL 2.5L/MIN		1
6	140002106056	PUMP RE-CIRC/HEATER COMP 1800W		1
6A	140000443030	PUMP DRAIN 50HZ.		1
11A	1115927012	CAPAC 3UF MOTOR DISHWASHER		1
12	140000554067	SWITCH PRESSURE		1
16	1113337024	SWITCH MAIN AUTO OFF		1
48	140000401012	SENSOR TEMPERATURE TURBIDITY		1
118	1113330128	DISPENSER DETERGENT		1
506	140000565048	SWITCH & FLOAT ASSY		1
535	1119387007	DISPLAY LED 7MM		1
550C	8080890018	COVER MOTOR DRIP PREVENTION		1
567	1171934019	SUPPORT BRACKET MOTOR RUBBER		1
587	973911516240000	PCB MAIN CONFIGURED DSF6206_		1
587A	1113367617	BOARD INTERFACE AMBER EDW1500		1
N.I.	140001945033	CORD SERVICE AU 2.15M		1
N.I.	140008919015	HARNESS PCB DOOR		1
N.I.	8074849012	HARNESS PCB HEATER		1
N.I.	8091583081	HARNESS PCB PUMP		1



ITEM	PART N°	DESCRIPTION	EX. P09113200077	QTY
110A	1526815-10/3	TUBE AIR CHAMBER		1
110C	140000059034	HOSE SUMP TO WATER SOFT x 370mm		1
111	1400000234030	HOSE FEEDER x 1500mm LONG		1
112	140010997017	HOSE DRAIN x 2230mm		1
120	8075472178	FILTER DRAIN ASSEMBLY - FINE		1
120B	1119209045	FILTER FLAT		1
130	1119186003	O-RING SUMP		1
130A	1523119-01/2	SEAL CHANNEL DRAINAGE		1
130C	50659231-00/0	SEAL AIR CHAMBER		1
132	1119158176	SUPPORT SPRAY ARM LOWER DRK GR		1
135A	1561425370	CHANNEL FEED UPPER SPRAYARM		1
139	140000584072	SPRAY ARM LOWER DARK GREY		1
139A	1118949526	SPRAY ARM UPPER DARK GREY		1
140	1170481731	CONTAINER CUP SMALL		1
145	140000740021	TUBE MANIFOLD INNER DARK GREY		1
155	140000494298	SUMP WATER ASSEMBLY / AIR TRAP		1
155A	140000536015	VALVE NON-RETURN FLAP SUMP		1
155B	1119177010	TRAP SUMP PUMP DRAIN		1
260A	8078689026	CLAMP CIRC PUMP FLOW REGULATOR		1
260C	8078689034	CLAMP CIRCULATION PUMP-SUMP		1
260J	8078689018	CLAMP DRAIN HOSE Ø30mm		1
303	140000531065	BASEMENT REAR		1
320	1526272214	VENT VAPOUR OUTLET		1
520	8072019014	CLAMP COLLAR DRAIN HOSE		1
521	N.P.A.	PLUG DRAIN HOSE		-



ITEM	PART N°	DESCRIPTION EX. P09113176216	QTY
260A	1173192004	SPRING ON/OFF BUTTON	1
313	1561348010	WORKTOP - WHITE	1
510	8086202226	PANEL CONTROL WHITE DSF6206W	1
525	1173190008	ON/OFF BUTTON WHITE	1
525A	140002473019	BUTTON PUSH – WHITE (SET of 6)	1
525C	1173189000	ON/OFF BUTTON PROTECTION	1
530	140002463010	HANDLE WHITE	1
530A	140002464018	COVER HANDLE – WHITE	1
595	140002474017	SUPPORT BUTTON PUSH	1



ITEM	PART N°	DESCRIPTION	EX. P09113197470	QTY
143	1527359945	ROLLER BASKET RH QUIK LIFT		1
	1527359952	ROLLER BASKET LH QUIK LIFT		1
201	ACC088	SUPPORT SPIKES RUBBER - GREY		4
319	8090030076	BASKET LOWER COMPLETE ASSY		1
319A	140000152037	BASKET UPPER DISHWASH ASSY		1
320	REFER ITEM 342	GRATE CUTLERY BASKET DK GREY		-
342	1525593-00/8	BASKET ASSY CUTLERY GREY		1
523A	50286965004	ROLLER KIT LOWER (PKT 8)		1
523B	140001199029	SUPPORT CUP GREY		4
550	8070264018	BUFFER BASKET UPPER		2
580C	140018976013	HOOK BASKET UPPER DISPENSER		1

**DISHWASHER
ACCESSORY COMPONENTS**



ITEM	PART N°	DESCRIPTION
1	ACC017	Scalex Plus Descaler Sachet 75gm
2	ACC100	Detergent Dishwasher 1kg
3	ACC102	Rinse Aid Additive 500mls
4	ACC103	Descaler Powder 350g (Dangerous Goods rules apply, min order Qty of 12)
5	ACC002	Dishwasher Salt 1kg Pack
6	ACC088	Support Spikes Rubber – Grey
N.I.	ACC107	Basket Cutlery Universal
N.I.	0571400142	Hose Drain Extension Straight Cuffs 2m
N.I.	ES5323K	Hose Drain Extension Kit (1M Length)

LEGEND for WIRING DIAGRAM A00185904a - b

P0000300001690	
BASE BOARD	Main Electronic Board
BOF/BH	Indication Of Operation
CAPACITOR	Capacitor
DISPENSER	Detergent Dispenser
DOOR LOCK	Door Lock
DRAIN PUMP	Drain Pump
FLOW CONTROL	Flow Meter (n/a)
HEATER	Heating Element
INLET VALVE	Inlet Valve
INPUT BOARD	User Interface (Display)
LEAKAGE SWITCH	Anti-Flooding Device
MAIN SWITCH	Main Switch
NTC/TURB. SENSOR	Turbidity Sensor
POWER CORD	Power Supply
PRESSURE SENSOR	Pressure Sensor
REG. VALVE	Regeneration Valve (n/a)
RINSE AID	Resin Conditioning Water Switch (n/a)
SALT AID	Salt (n/a)
WASH PUMP	Washing Pump
GN/YE	Green/Yellow
RD	Red
BU	Blue
BR	Brown
BK	Black