

DISHLEX

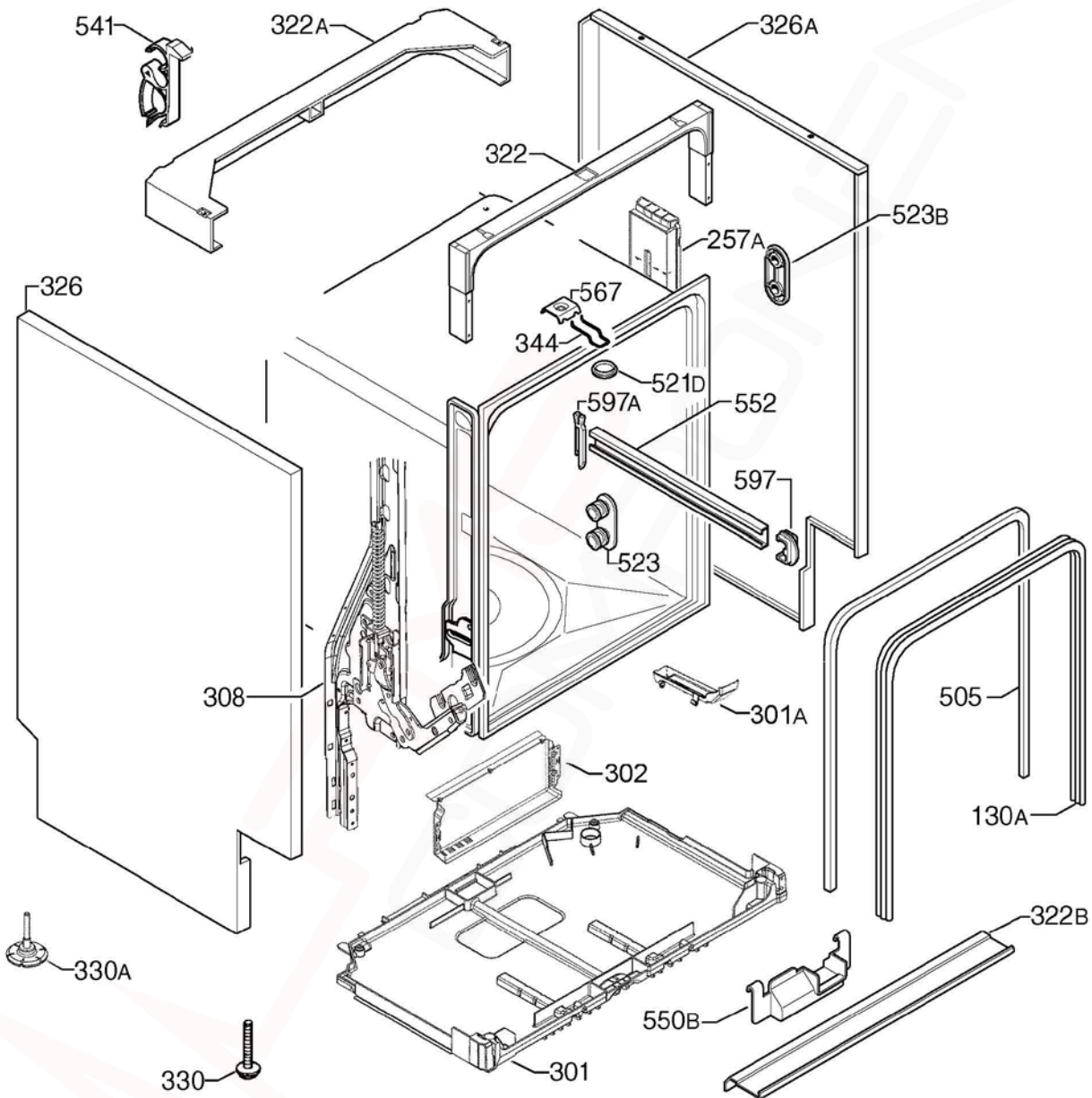
***DOMESTIC HOUSEHOLD
DISHWASHERS***

| CONTENTS | PAGE N° |
|--|---------|
| CABINET and BASE ASSEMBLY | 2 & 3 |
| DOOR ASSEMBLY | 4 & 5 |
| ELECTRICAL COMPONENTS | 6 & 7 |
| PUMP, SUMP and HYDRAULIC SYSTEM | 8 & 9 |
| CONTROL PANEL and WORK TOP ASSEMBLY | 10 & 11 |
| BASKET ASSEMBLY | 12 & 13 |
| AFTER MARKET ACCESSORIES | 14 |
| WIRING DIAGRAM, LEGEND and CIRCUIT DIAGRAM | 15 - 17 |

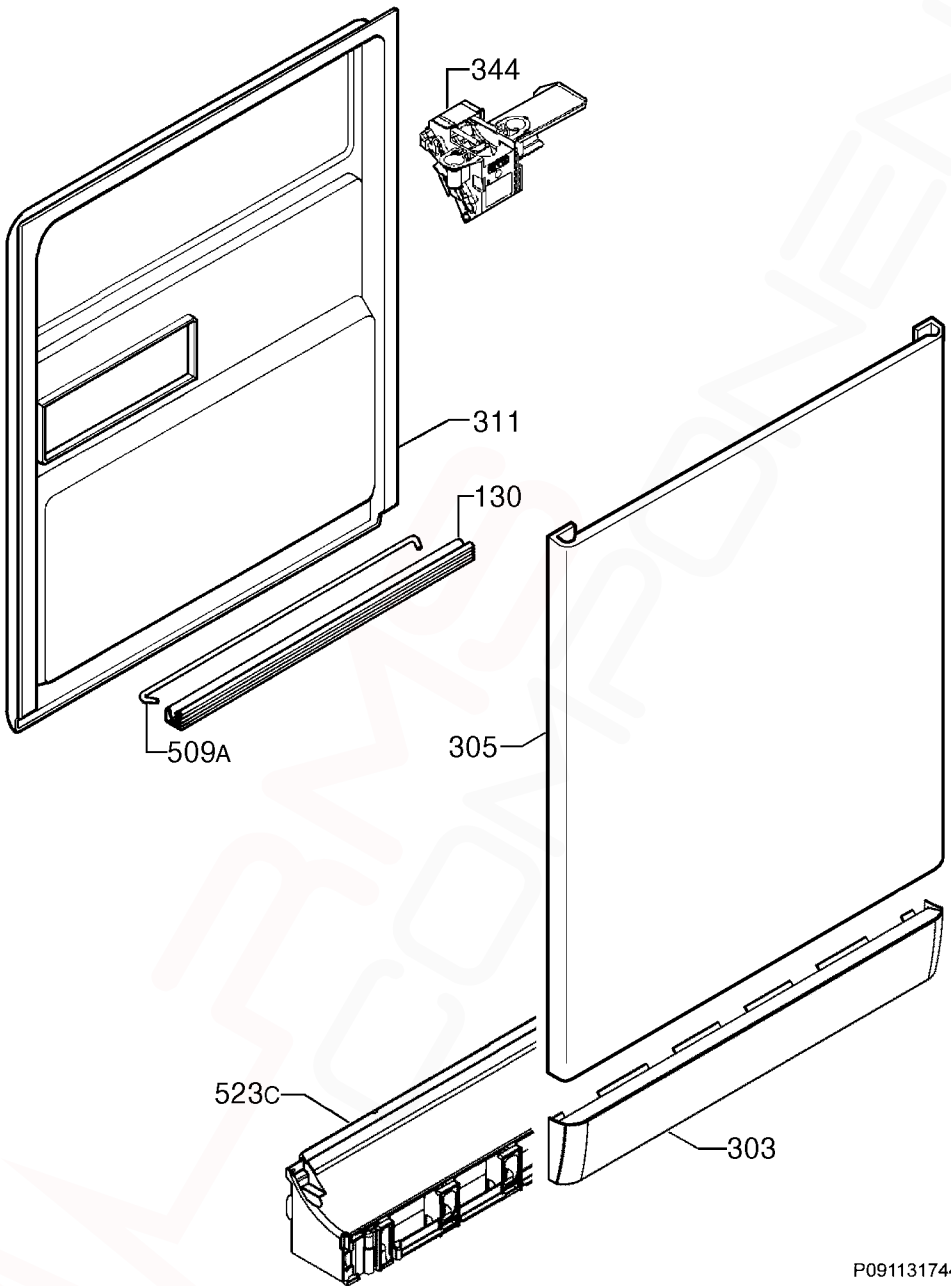
NOTE: In Parts Listings

| | | |
|--------|---|------------------------|
| N.I. | = | Not Illustrated |
| N.P.A. | = | No Part Available |
| N.P.N. | = | Not Used on this Model |

MODEL:**DSF6205X****PNC:****911513133 02**



| ITEM | PART N°. | DESCRIPTION EX. P09113178362 | QTY |
|------|---------------|--|-----|
| 130A | 1171265026 | Gasket Door Outer Ø1730 | 1 |
| 257A | <i>N.P.A.</i> | Counterweight Side Dishwasher | - |
| 301 | 140000527014 | Tray Bottom Spillage | 1 |
| 301A | 4055250858 | Kit Overflow Hose | 1 |
| 302 | 140000750012 | Cover Electronic PCB - Metal | 1 |
| 308 | 4055325056 | Kit Hinge Door LH/RH | 1 |
| 322 | 1560799114 | Brace Front Upper Zinc-Plated | 1 |
| 322A | 1170350043 | Brace Crossbar Upper Rear | 1 |
| 322B | 140000212039 | Brace Crossbar Front Lower | 1 |
| 326 | 1170380610 | Panel Side Left - Silver | 1 |
| 326A | 1170380719 | Panel Side Right - Silver | 1 |
| 330 | 1520664-10/1 | Foot Adjustable 36mm Long | 2 |
| 330A | 8075188014 | Foot Adjustable 48mm Long | 2 |
| 344 | 1522344-05/8 | Latch Door Lock | 1 |
| 505 | 1526715410 | Trimming Tub Black | 1 |
| 521D | 1526576-00/2 | Hole Cover Latch | 1 |
| 523 | 50299970009 | Wheel Support Kit Dark Grey (4 Pieces) | 1 |
| 523B | 1118814-00/1 | Stiffening Support | 4 |
| 541 | <i>N.P.A.</i> | Hose Clamp | - |
| 550B | 1522345071 | Cover Wiring Protection | 1 |
| 552 | 140003656026 | Rail Basket Upper Complete | 2 |
| 567 | 1523236-03/0 | Clip Speed (Plaque) | 1 |
| 597 | 1520479419 | Stop Basket Front Dark Grey | 2 |
| 597A | 6461234061 | Stop Basket Back Dark Grey | 2 |



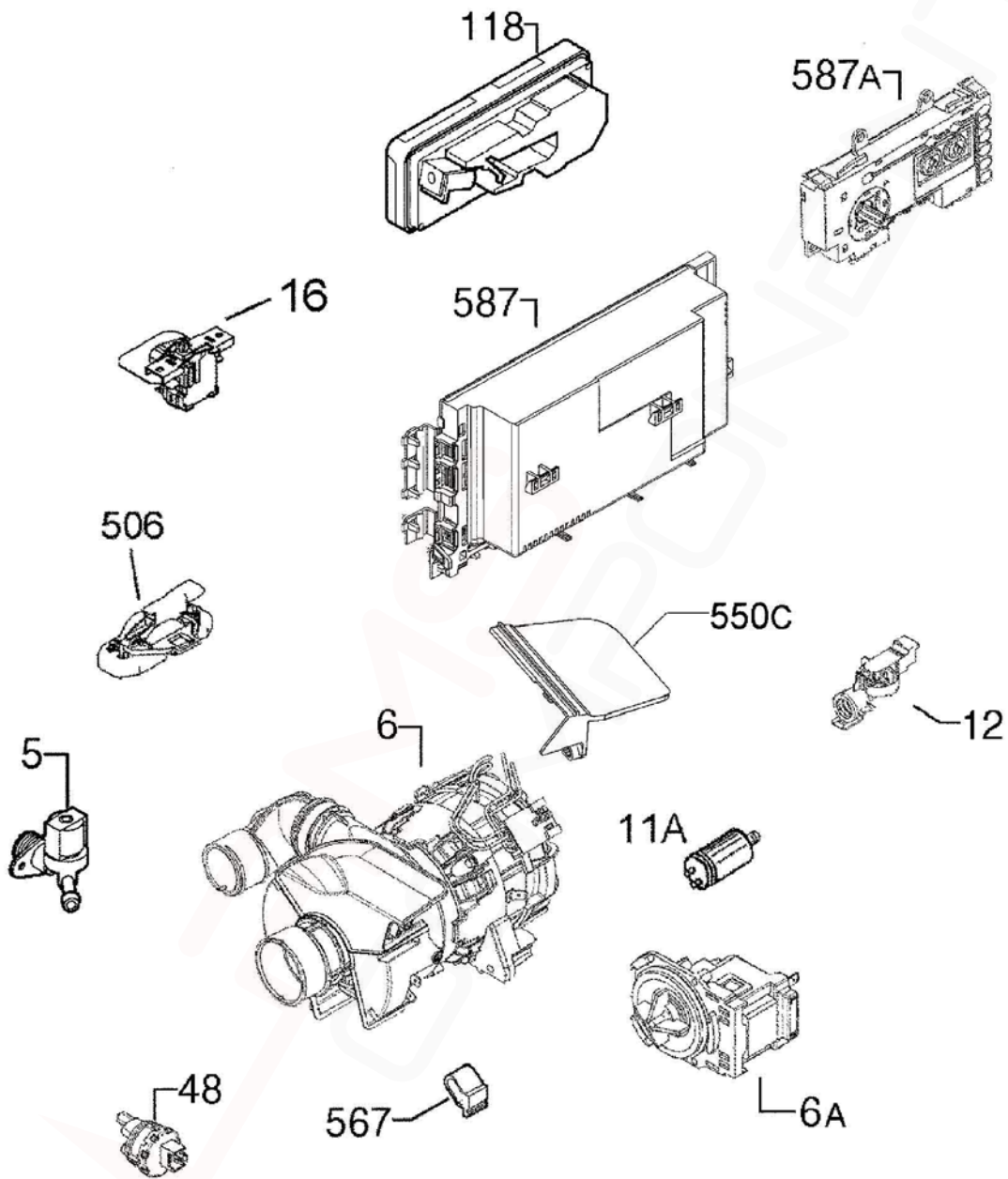
P09113200171

MODELS: DSF6205X

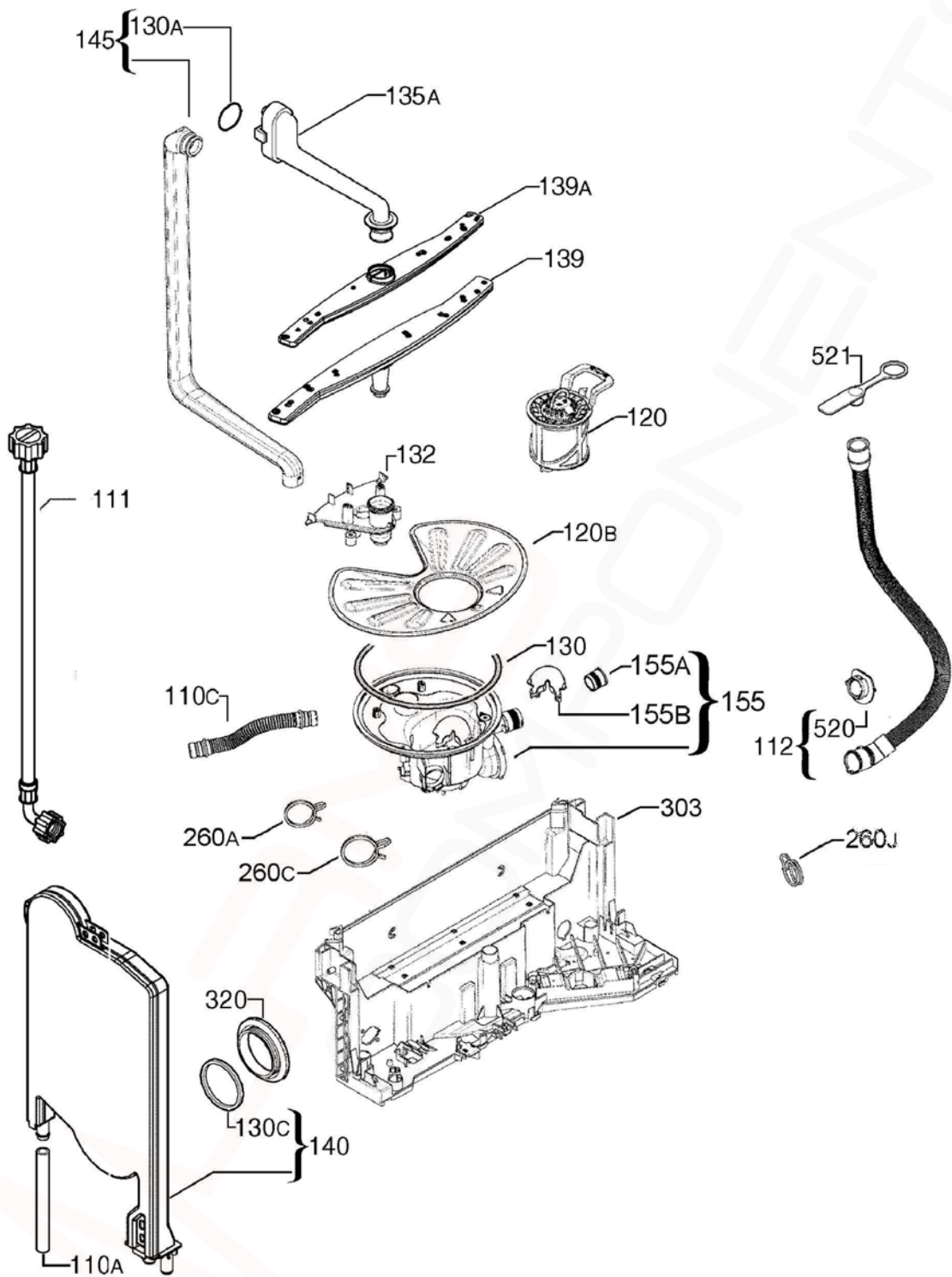
PNC 911513133 02

**EX. VIEW P09113174465
DOOR ASSEMBLY**

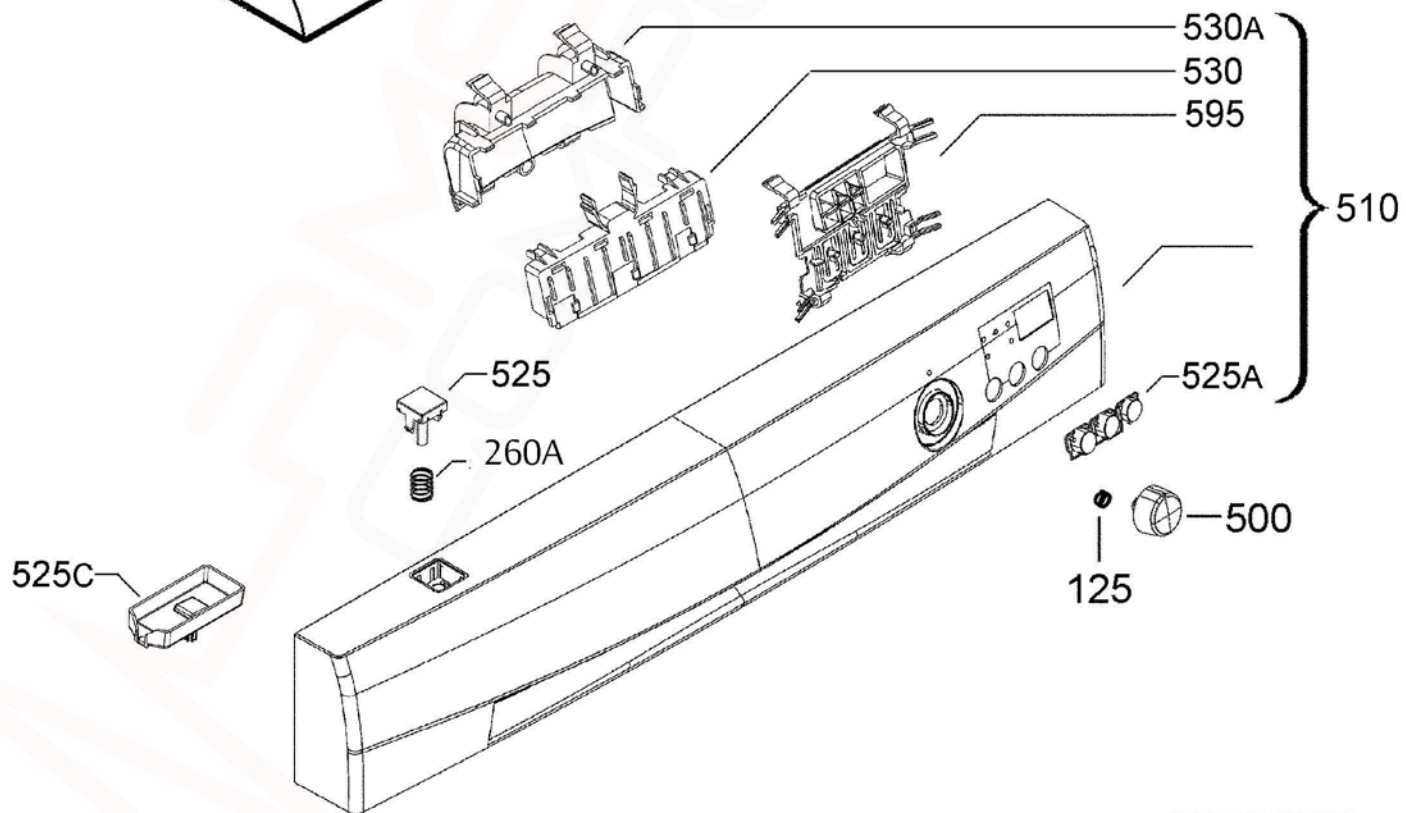
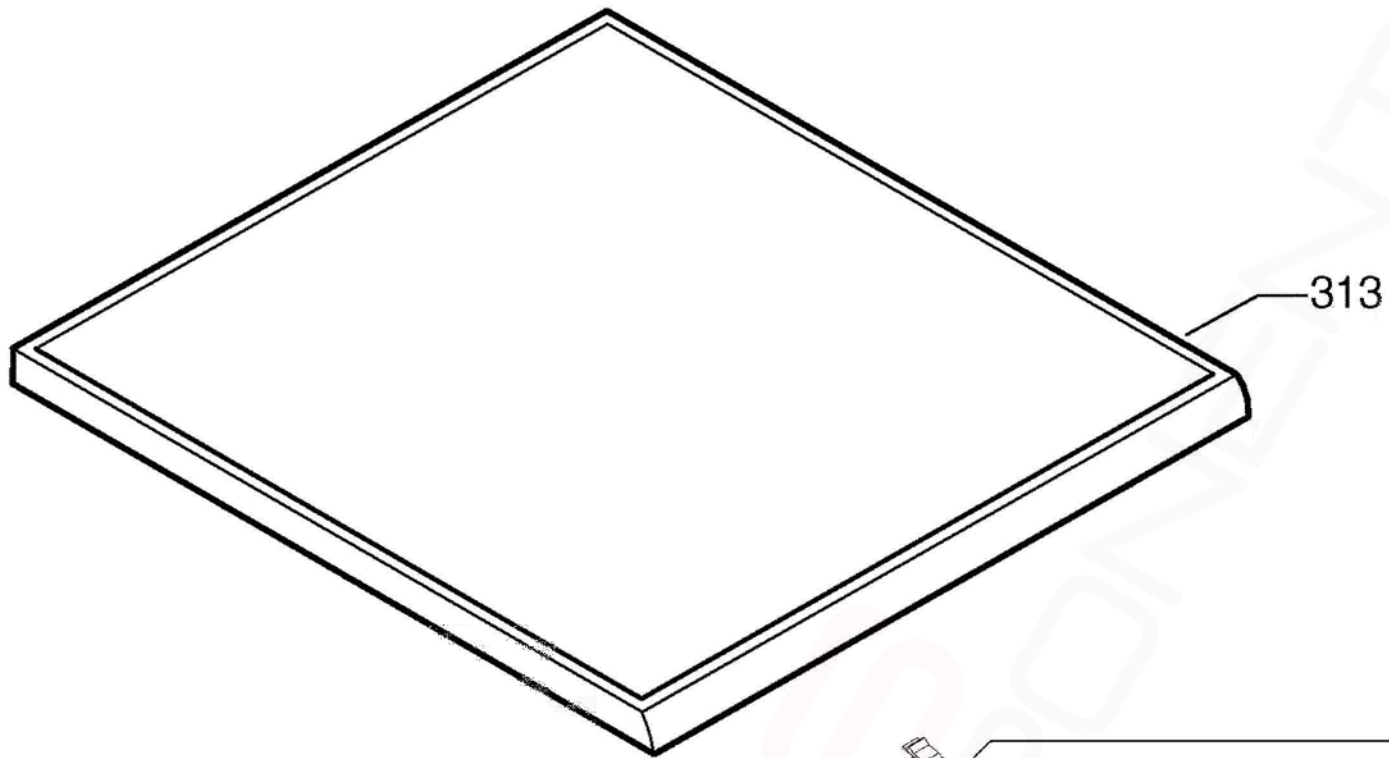
| ITEM | PART N°. | DESCRIPTION | EX. P09113174465 | QTY |
|-------------|---------------------|---------------------------------|-------------------------|------------|
| 130 | 1527401-00/2 | Gasket Door Lower Black x 550mm | | 1 |
| 303 | 8070407013 | Plinth Inox | | 1 |
| 305 | 1561221456 | Panel Door Outer - Inox | | 1 |
| 311 | 1170189078 | Panel Door Inner | | 1 |
| 344 | 1113150120 | Latch Door Complete | | 1 |
| 509A | 1520419-14/2 | Tie Hinge | | 1 |
| 523C | 1170156-03/6 | Holder Plinth - Dark Grey | | 1 |



| ITEM | PART N°. | DESCRIPTION | EX. P09113192424 | QTY |
|-------------|------------------------|------------------------------------|-------------------------|------------|
| 5 | 140001158017 | Valve Fill 2 5Lt/min | | 1 |
| 6 | 140002106015 | Pump Circulation Heater Comp ASYNC | | 1 |
| 6A | 140000443030 | Pump Drain 50Hz | | 1 |
| 11A | 1115927012 | Capacitor Motor 3µf | | 1 |
| 12 | 140000554067 | Switch Pressure | | 1 |
| 16 | 1113337024 | Switch Main Auto OFF | | 1 |
| 48 | 140000401012 | Sensor Temperature Turbidity | | 1 |
| 110C | 1174356111 | Hose Sump Pressure Sensor x 212mm | | 1 |
| 118 | 1113330128 | Dispenser Detergent C/R | | 1 |
| 506 | 140000565048 | Switch Float Assembly | | 1 |
| 523G | 140026130017 | Adaptor Switch Pressure Sensor | | 1 |
| 550C | 8080890018 | Cover Motor Drip Prevention | | 1 |
| 567 | 1171934019 | Bracket Motor Buffer | | 2 |
| 587 | 973911513133026 | Board Configured Electronic,PB200 | | 1 |
| 587A | 1113381329 | PCB User Interface Amber EDW750 | | 1 |
| | | | | |
| N.I. | 140001945033 | Cord Service AU 2 15m | | 1 |
| N.I. | 8074849012 | Harness PCB Heater | | 1 |
| N.I. | 8091580053 | Harness PCB Door | | 1 |
| N.I. | 8091583081 | Harness PCB Pump | | 1 |



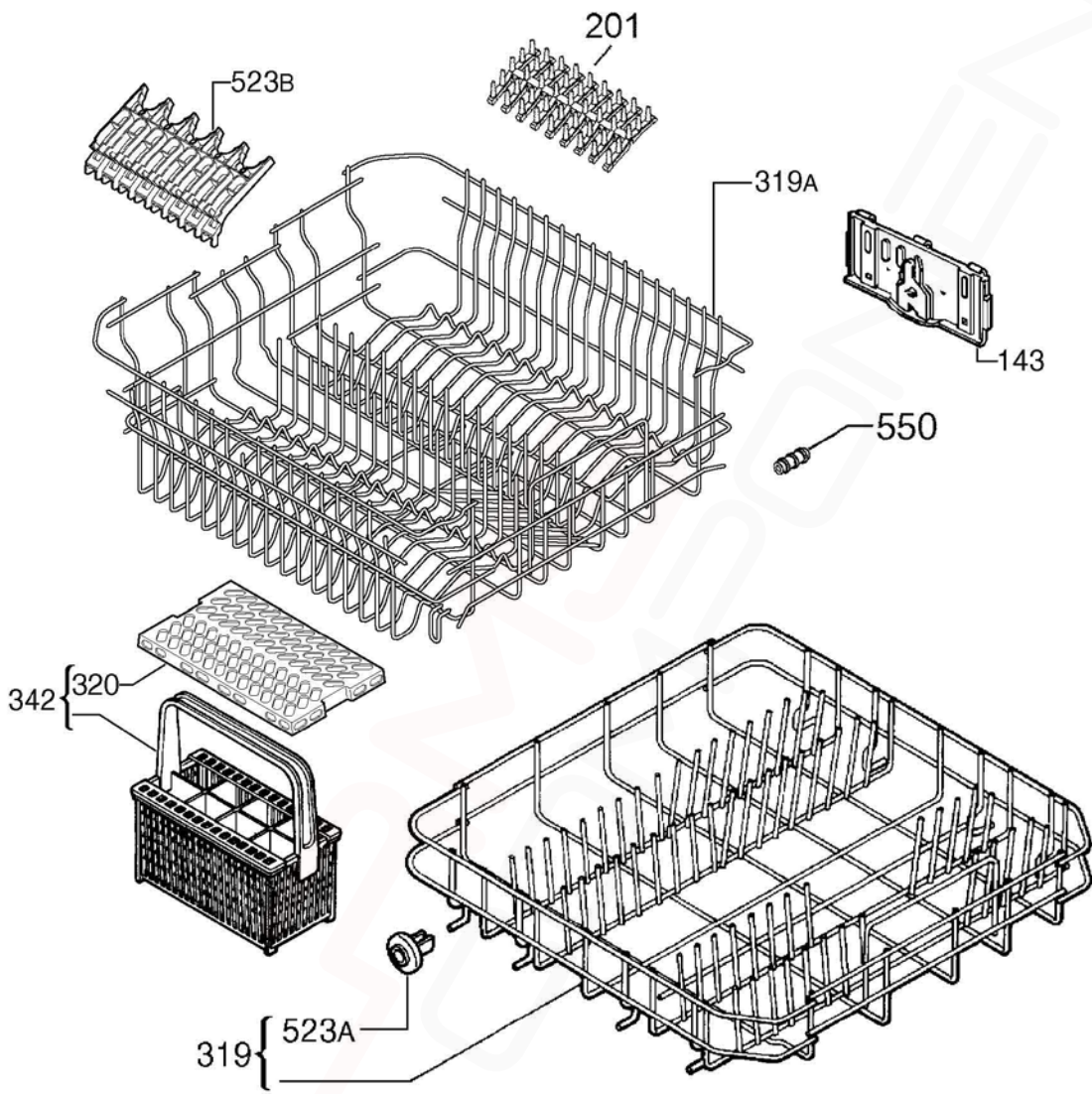
| ITEM | PART N°. | DESCRIPTION | EX. P091138\$\$\$++ | QTY |
|-------------|---------------------|---------------------------------------|----------------------------|------------|
| 110A | 1526815-10/3 | Tube Container Cup Fill Valve x 280mm | | 1 |
| 110C | 14000059034 | Hose Sump Water Softener x 370mm | | 1 |
| 111 | 140000234030 | Hose Feeder x 1500mm | | 1 |
| 112 | 140005633056 | Hose Drain x2230mm | | 1 |
| 120 | 8075472178 | Filter Drain Assembly - Fine | | 1 |
| 120B | 1119209045 | Filter Flat | | 1 |
| 130 | 1119186003 | Sump O-Ring | | 1 |
| 130A | 1523119-01/2 | Seal Channel Drainage | | 1 |
| 130C | N.P.A. | Seal Round Container Cup | | - |
| 132 | 1119158176 | Support Spray Arm Lower Dark Grey | | 1 |
| 135A | 1561425370 | Channel Feed Upper Spray Arm | | 1 |
| 139 | 140000584072 | Spray Arm Lower Dark Grey | | 1 |
| 139A | 1118949526 | Spray Arm Upper Dark Grey | | 1 |
| 140 | 1170481731 | Container Cup Small | | 1 |
| 145 | 140000740021 | Tube Manifold Inner Dark Grey | | 1 |
| 155 | 140000494298 | Sump Assembly | | 1 |
| 155A | 140000536015 | Valve Non-Return Flap Sump | | 1 |
| 155B | 1119177010 | Trap Sump Pump Drain | | 1 |
| 260A | 8078689026 | Clamp Circ Pump Flow Regulator Ø36mm | | 1 |
| 260C | 8078689034 | Clamp Circulation Pump Sump Ø45mm | | 1 |
| 260J | 8078689018 | Clamp Drain Hose Ø30mm | | 1 |
| 260K | 8078689042 | Clamp Ø16mm | | 1 |
| 303 | 140000531032 | Basement Rear | | 1 |
| 320 | 1526272214 | Vent Vapour Outlet | | 1 |
| 520 | N.P.A. | Flange Discharge Hose Ø20mm | | - |
| 521 | N.P.A. | Stopper Drainage Hose | | - |



P09113187040

MODELS:**DSF6205X****PNC 911513133 0&****EX. VIEW P09113176272
WORKTOP and CONTROL
PANEL ASSEMBLY**

| ITEM | PART N°. | DESCRIPTION | EX. P09113176272 | QTY |
|-------------|---------------------|---------------------------------|-------------------------|------------|
| 125 | 1520227016 | Knob Spring | | 1 |
| 260A | 1173192004 | Spring On/Off Button | | 1 |
| 313 | 1561348218 | Work Top Inox | | 1 |
| 500 | 140002456022 | Knob Inox | | 1 |
| 510 | 8086323030 | Control Panel Inox DSF6205X | | 1 |
| 525 | 1173190206 | Push Button ON/OFF Inox | | 1 |
| 525A | 140002466039 | Push Button Set 3 Button Silver | | 1 |
| 525C | 1173189000 | Push Button ON/OFF Protection | | 1 |
| 530 | 140002463069 | Handle Grey | | 1 |
| 530A | 140002464067 | Handle Cover Grey | | 1 |
| 595 | 140002468019 | Support Button Push | | 1 |
| | | | | |
| N.I. | 5190530112 | Screw Switch Housing 3.5x13 TTL | | - |



| ITEM | PART N°. | DESCRIPTION | EX. P09113187041 | QTY |
|-------------|----------------------|--|-------------------------|------------|
| 143 | 1527359-32/5 | Plate Adjustment Right Hand | | 1 |
| | 1527359-40/8 | Plate Adjustment Left Hand | | 1 |
| 201 | 1380184109 | Support Spikes Rubber Grey | | 2 |
| 319 | 1561294057 | Basket Dishwasher Bottom Assembly | | 1 |
| 319A | 1561219005 | Basket Dishwasher Upper Light Grey | | 1 |
| 320 | N.P.A. | Grate Cutlery Basket Dark Grey | | - |
| 342 | ACC107 | Basket Cutlery Universal (Inc. Item 320) | | 1 |
| 523A | 50286965-00/4 | Wheel Kit Basket Lower (8 Pieces) | | 1 |
| 523B | 140001199029 | Support Cup Grey | | 2 |
| 550 | 8996461804602 | Buffer Rubber Dishwasher Upper | | 4 |
| | | | | |
| N.I. | 1561218007 | Hook Dispenser Upper Basket | | 1 |

**DISHWASHER
ACCESSORY COMPONENTS**



| ITEM | PART N° | DESCRIPTION |
|------|---------|---|
| 1 | ACC017 | Scalex Plus Descaler Sachet 75gm |
| 2 | ACC100 | Detergent Dishwasher 1kg |
| 3 | ACC102 | Rinse Aid Additive 500mls |
| 4 | ACC103 | Descaler Powder 350g (Dangerous Goods rules apply, min order Qty of 12) |
| 5 | ACC002 | Dishwasher Salt 1kg Pack |
| 6 | ACC088 | Support Spikes Rubber – Grey |

| P0000300001692 | Legend |
|-----------------------|---------------------------------|
| BASE BOARD | Main Electronic Board |
| BOF/BH | Indication Of Operation |
| CAPACITOR | Capacitor |
| DISPENSER | Detergent Dispenser |
| DOOR LOCK | Door Lock |
| DRAIN PUMP | Drain Pump |
| FLOW CONTROL | Flow Meter |
| HEATER | Heating Element |
| INLET VALVE | Inlet Valve |
| INPUT BOARD | User Interface (Display) |
| LEAKAGE SWITCH | Anti-Flooding Device |
| MAIN SWITCH | Main Switch |
| NTC/TURB. SENSOR | Turbidity Sensor |
| POWER CORD | Power Supply |
| PREASSURE SENSOR | Pressure Sensor |
| REG. VALVE | Regeneration Valve |
| RINSE AID | Resin Conditioning Water Switch |
| SALT AID | Salt |
| WASH PUMP | Washing Pump |
| | |
| GN/YE | Green/Yellow |
| RD | Red |
| BU | Blue |
| BR | Brown |
| BK | Black |