

***DISHLEX***

***DOMESTIC HOUSEHOLD  
DISHWASHERS***

CONTENTS	PAGE N°
CABINET and BASE ASSEMBLY	2 & 3
DOOR ASSEMBLY	4 & 5
ELECTRICAL COMPONENTS	6 & 7
PUMP, SUMP and HYDRAULIC SYSTEM	8 & 9
CONTROL PANEL and WORK TOP ASSEMBLY	10 & 11
BASKET ASSEMBLY	12 & 13
AFTER MARKET ACCESSORIES	14
WIRING DIAGRAM, LEGEND and CIRCUIT DIAGRAM	15 - 17

**NOTE: In Parts Listings**

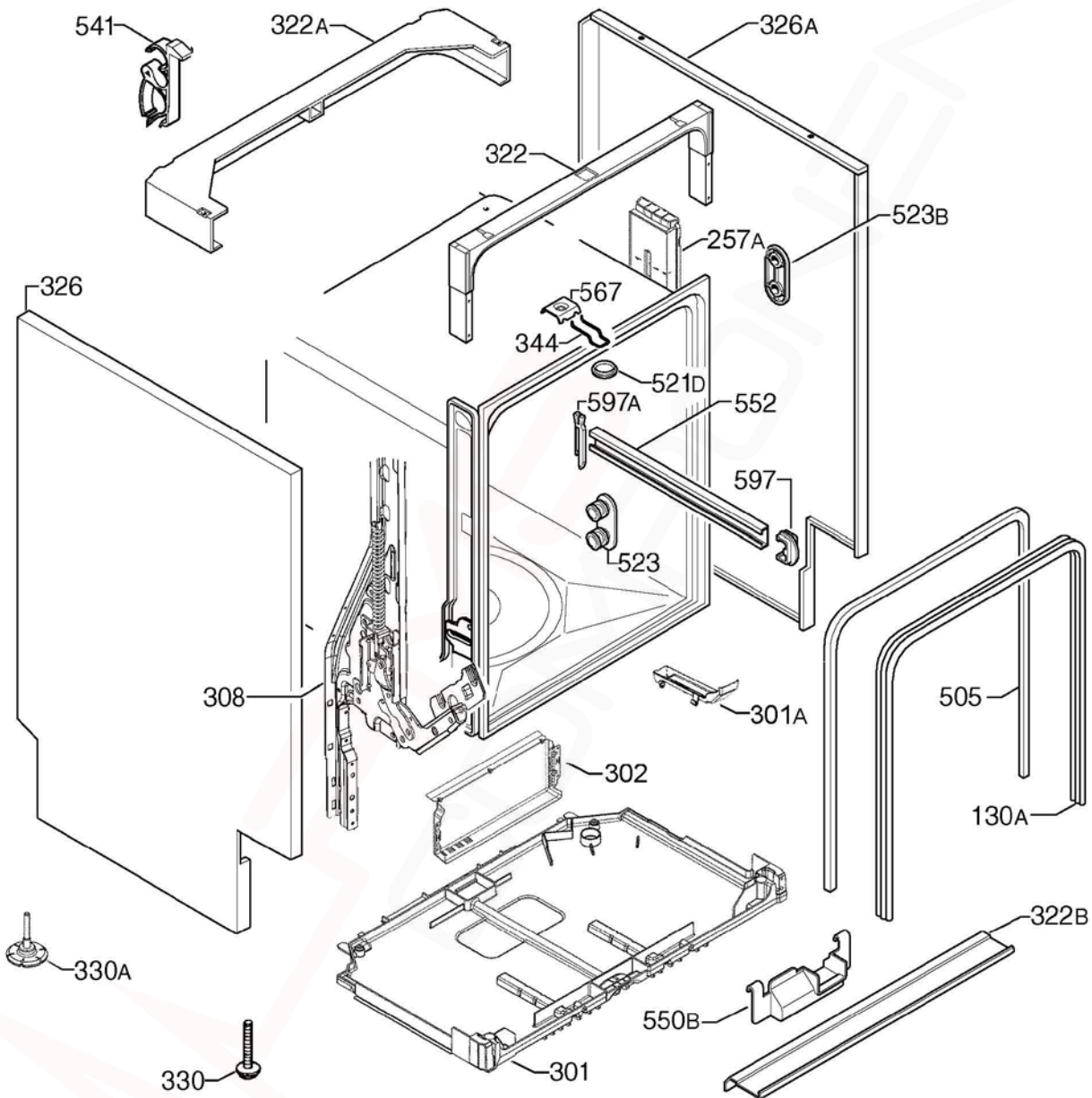
N.I.	=	Not Illustrated
N.P.A.	=	No Part Available
N.P.N.	=	Not Used on this Model

***MODEL:***

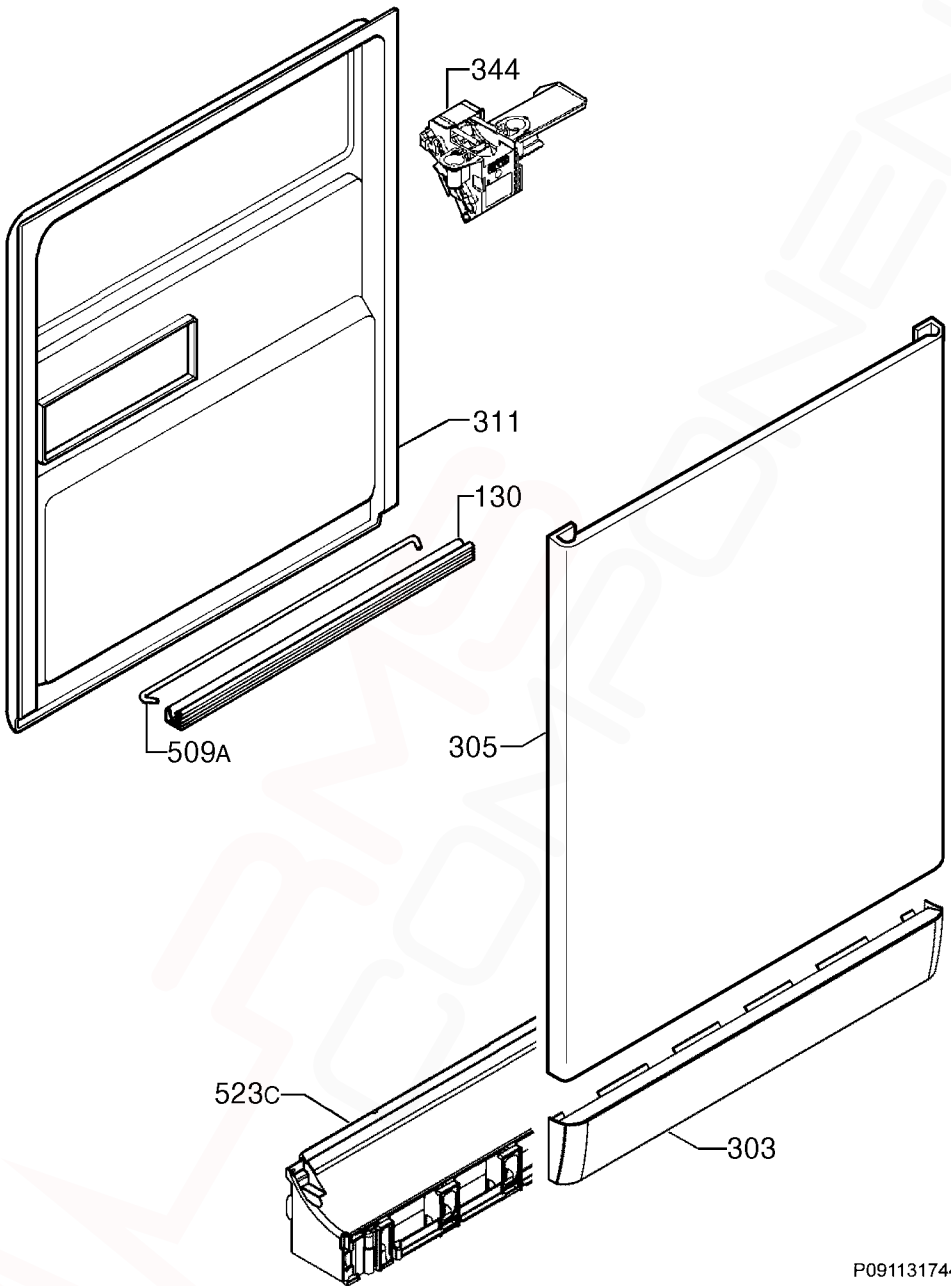
***DSF6205X***

***PNC:***

***911513133 01***



ITEM	PART N°.	DESCRIPTION	EX. P09113178362	QTY
130A	1171265026	Gasket Door Outer Ø1730		1
257A	140000115018	Counterweight Side Dishwasher		1
301	140000527014	Tray Bottom Spillage		1
301A	4055250858	Kit Overflow Hose		1
302	140000750012	Cover Electronic PCB - Metal		1
308	4055161352	Kit Hinge Left-Right		1
322	1560799114	Brace Front Upper Zinc-Plated		1
322A	1170350043	Brace Crossbar Upper Rear		1
322B	140000212039	Brace Crossbar Front Lower		1
326	1170380610	Panel Side Left - Silver		1
326A	1170380719	Panel Side Right - Silver		1
330	1520664-10/1	Foot Adjustable 36mm Long		2
330A	8075188014	Foot Adjustable 48mm Long		2
344	1522344-05/8	Latch Door Lock		1
505	1526715410	Trimming Tub Black		1
521D	1526576-00/2	Hole Cover Latch		1
523	50299970009	Wheel Support Kit Dark Grey (4 Pieces)		1
523B	1118814-00/1	Stiffening Support		4
541	<i>N.P.A.</i>	Hose Clamp		-
550B	1522345071	Cover Wiring Protection		1
552	140003656026	Rail Basket Upper Complete		2
567	1523236-03/0	Clip Speed (Plaque)		1
597	1520479419	Stop Basket Front Dark Grey		2
597A	6461234061	Stop Basket Back Dark Grey		2



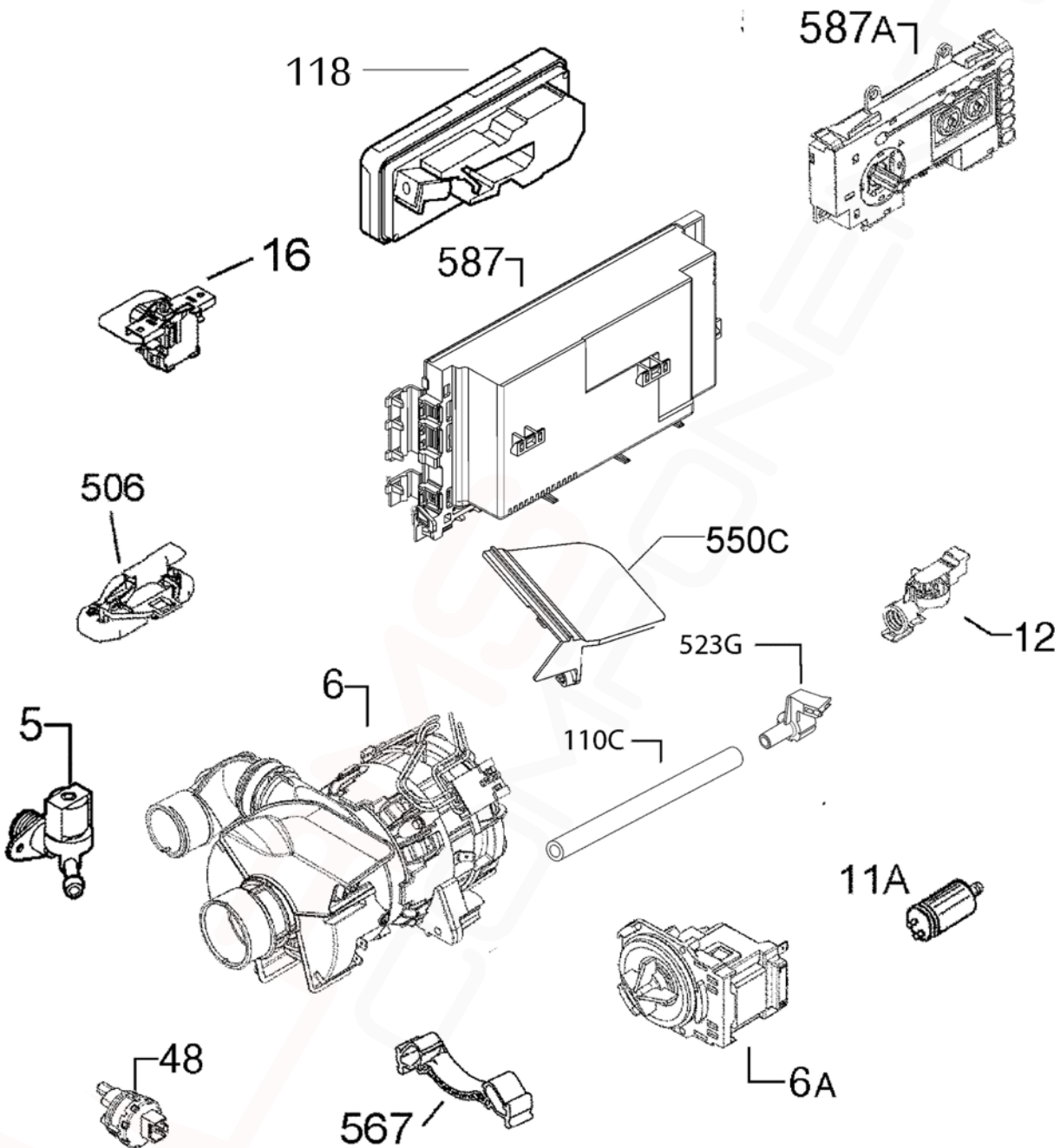
P09113200171

**MODELS: DSF6205X**

**PNC 911513133 01**

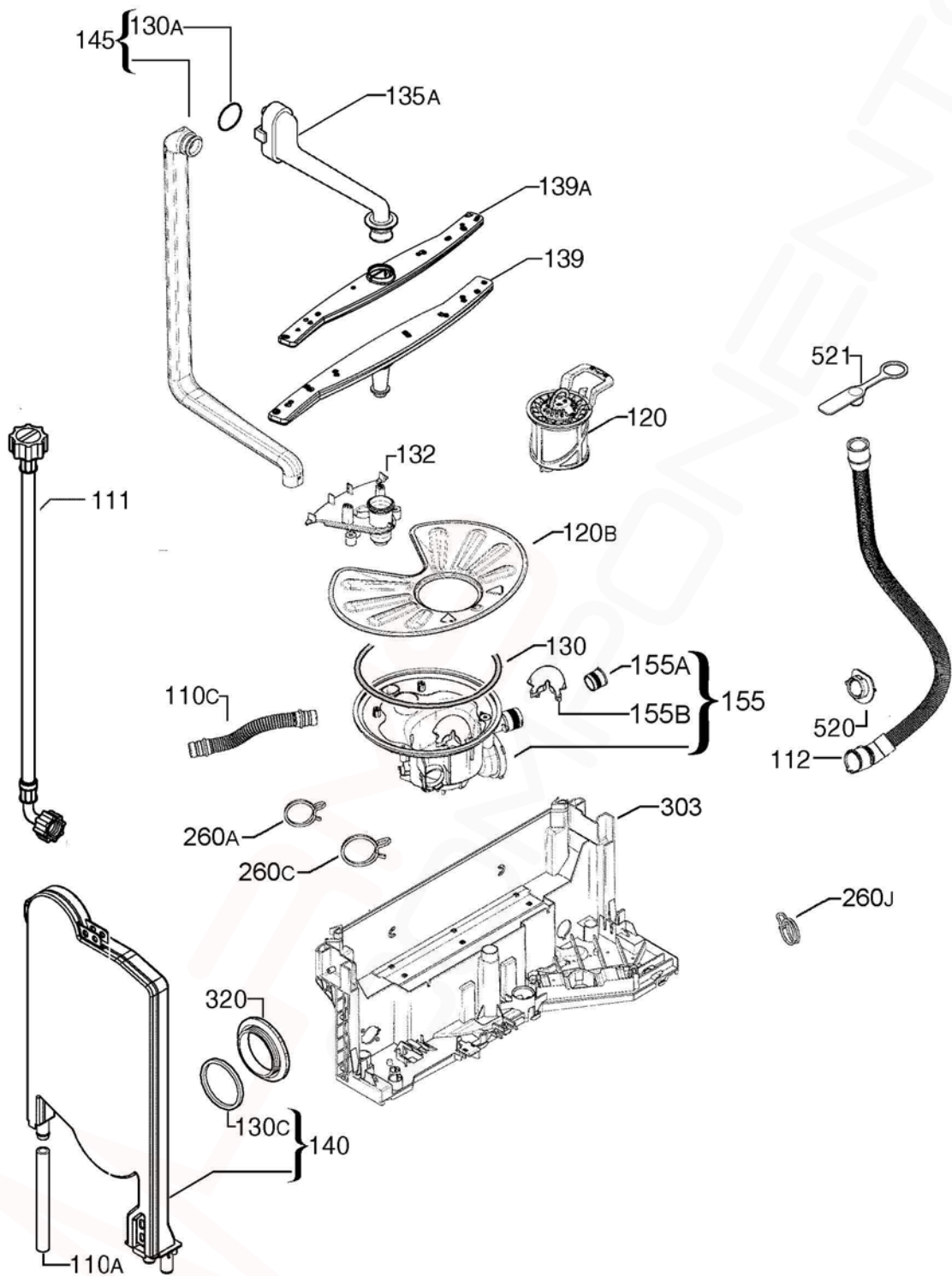
**EX. VIEW P09113174465  
DOOR ASSEMBLY**

<b>ITEM</b>	<b>PART N°.</b>	<b>DESCRIPTION</b>	<b>EX. P09113174465</b>	<b>QTY</b>
130	<b>1527401-00/2</b>	Gasket Door Lower Black x 550mm		1
303	<b>8070407013</b>	Plinth Inox		1
305	<b>1561221456</b>	Panel Door Outer - Inox		1
311	<b>1170189078</b>	Panel Door Inner		1
344	<b>1113150120</b>	Latch Door Complete		1
509A	<b>1520419-14/2</b>	Tie Hinge		1
523C	<b>1170156-03/6</b>	Holder Plinth - Dark Grey		1



P09113192424

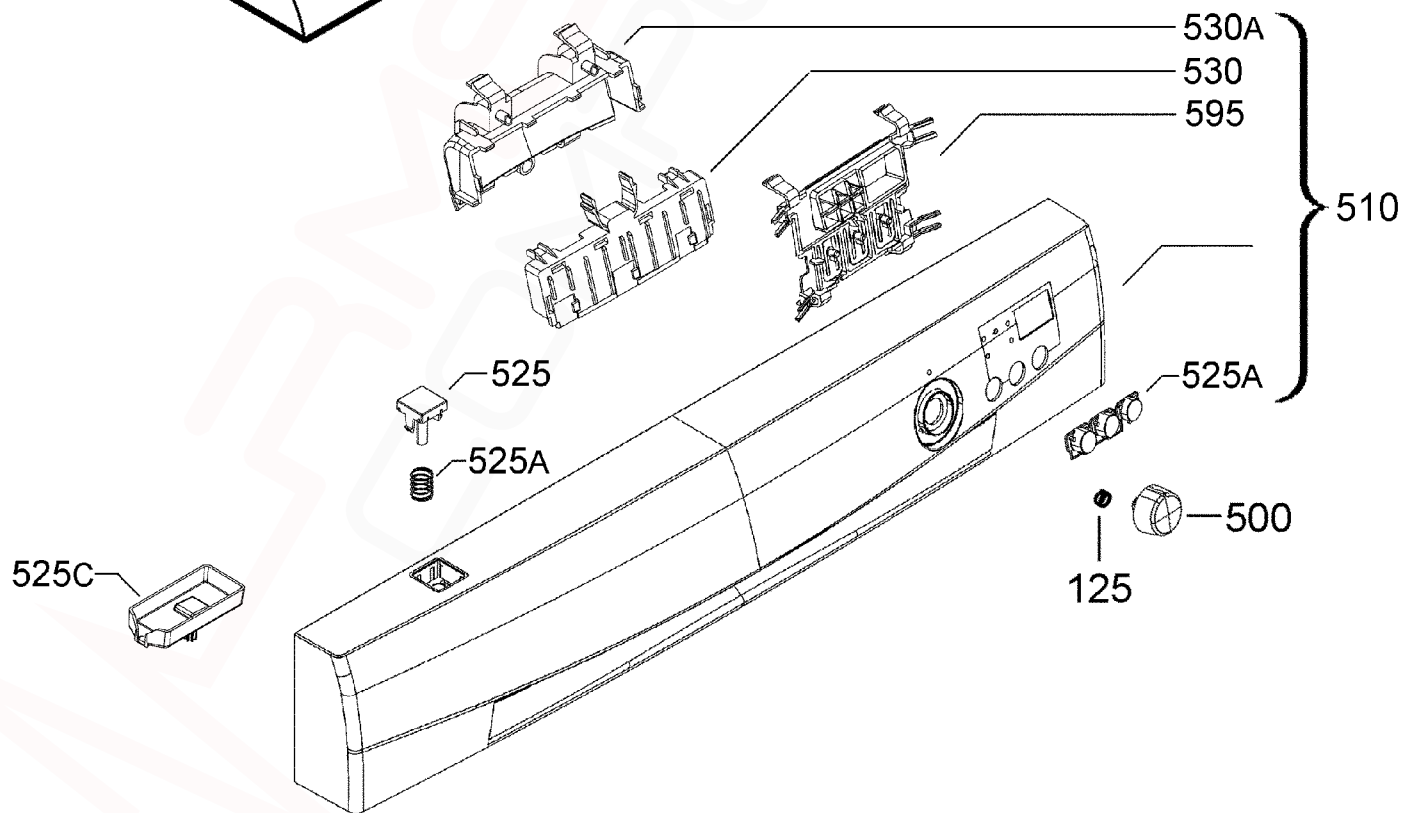
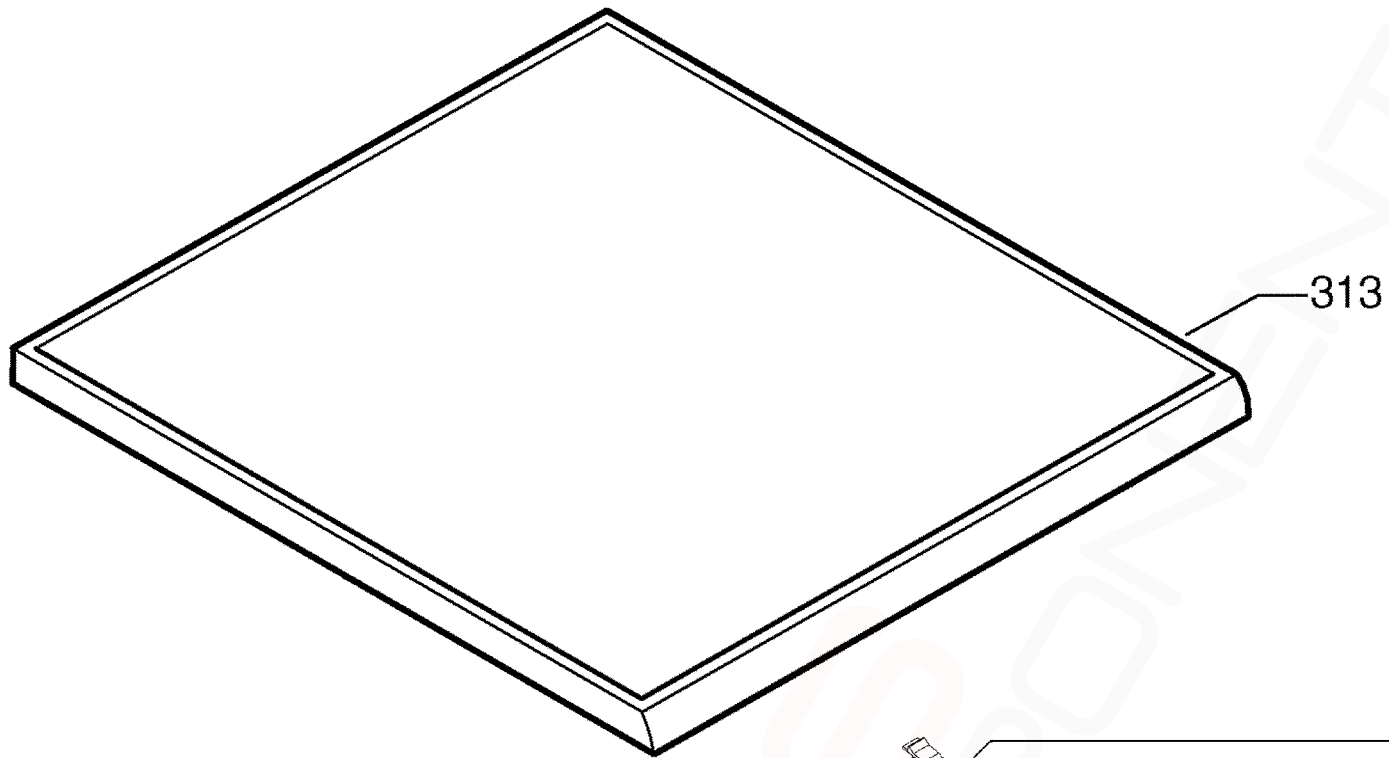
<b>ITEM</b>	<b>PART N°.</b>	<b>DESCRIPTION</b>	<b>EX. P09113192424</b>	<b>QTY</b>
5	<b>140001158017</b>	Valve Fill 2 5Lt/min		1
6	<b>140002106015</b>	Pump Circulation Heater Comp ASYNC		1
6A	<b>140000443030</b>	Pump Drain 50Hz		1
11A	<b>1115927012</b>	Capacitor Motor 3µf		1
12	<b>140000554067</b>	Switch Pressure		1
16	<b>1113337024</b>	Switch Main Auto Off		1
48	<b>140000401012</b>	Sensor Temperature Turbidity		1
110C	<b>1174356111</b>	Hose Sump Pressure Sensor x 212mm		1
118	<b>1113330128</b>	Dispenser Detergent C/R		1
506	<b>140000565048</b>	Switch Float Assembly		1
523G	<b>140026130017</b>	Adaptor Switch Pressure Sensor		1
550C	<b>8080890018</b>	Cover Motor Drip Prevention		1
567	<b>1171934019</b>	Bracket Motor Buffer		2
587	<b>973911513133018</b>	Board Configured Electronic,PB200		1
587A	<b>1113381329</b>	PCB User Interface Amber EDW750		1
N.I.	<b>140001945033</b>	Cord Service AU 2 15m		1
N.I.	<b>8074849012</b>	Harness PCB Heater		1
N.I.	<b>8091580053</b>	Harness PCB Door		1
N.I.	<b>8091583081</b>	Harness PCB Pump		1



P09113192419



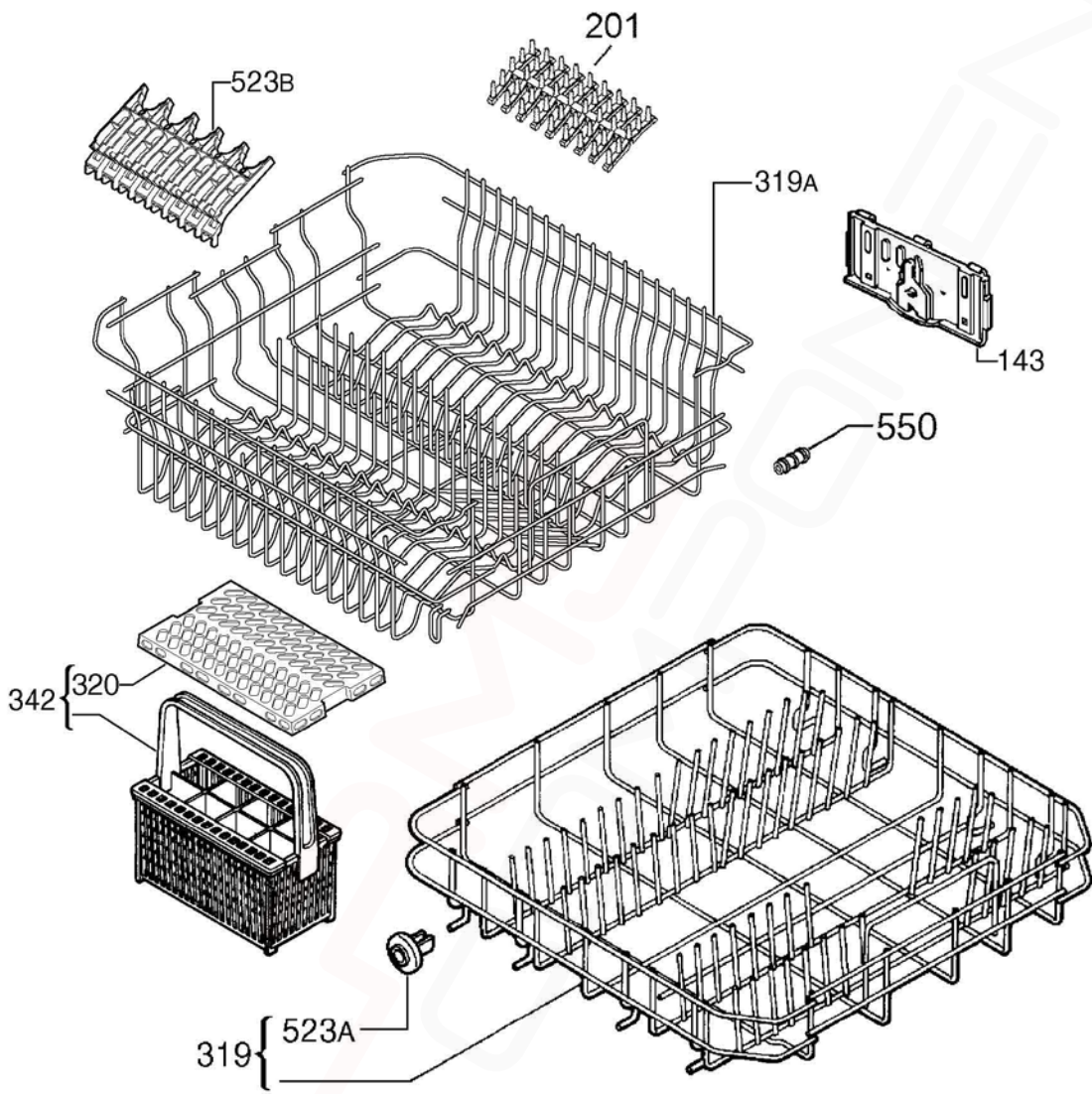
<b>ITEM</b>	<b>PART N°.</b>	<b>DESCRIPTION</b>	<b>EX. P09113192419</b>	<b>QTY</b>
110A	<b>1526815-10/3</b>	Tube Container Cup Fill Valve x 280mm		1
110C	<b>140000059034</b>	Hose Sump Water Softener x 370mm		1
111	<b>1400000234030</b>	Hose Feeder x 1500mm		1
112	<b>140005633056</b>	Hose Drain x2230mm		1
120	<b>8075472178</b>	Filter Drain Assembly - Fine		1
120B	<b>1119209045</b>	Filter Flat		1
130	<b>1119186003</b>	Sump O-Ring		1
130A	<b>1523119-01/2</b>	Seal Channel Drainage		1
130C	<b>N.P.A.</b>	Seal Round Container Cup		-
132	<b>1119158176</b>	Support Spray Arm Lower Dark Grey		1
135A	<b>1561425370</b>	Channel Feed Upper Spray Arm		1
139	<b>140000584072</b>	Spray Arm Lower Dark Grey		1
139A	<b>1118949526</b>	Spray Arm Upper Dark Grey		1
140	<b>1170481731</b>	Container Cup Small		1
145	<b>140000740021</b>	Tube Manifold Inner Dark Grey		1
155	<b>140000494215</b>	Sump Assembly		1
155A	<b>140000536015</b>	Valve Non-Return Flap Sump		1
155B	<b>1119177010</b>	Trap Sump Pump Drain		1
260A	<b>8078689026</b>	Clamp Circ Pump Flow Regulator Ø36mm		1
260C	<b>8078689034</b>	Clamp Circulation Pump Sump Ø45mm		1
260J	<b>8078689018</b>	Clamp Drain Hose Ø30mm		1
260K	<b>8078689042</b>	Clamp Ø16mm		1
303	<b>140000531032</b>	Basement Rear		1
320	<b>1526272214</b>	Vent Vapour Outlet		1
520	<b>N.P.A.</b>	Flange Discharge Hose Ø20mm		-
521	<b>N.P.A.</b>	Stopper Drainage Hose		-



P09113187040

**MODELS:****DSF6205X****PNC 911513133 01****EX. VIEW P09113176272  
WORKTOP and CONTROL  
PANEL ASSEMBLY**

<b>ITEM</b>	<b>PART Nº.</b>	<b>DESCRIPTION</b>	<b>EX. P09113176272</b>	<b>QTY</b>
125	<b>1520227016</b>	Knob Spring		1
260A	<b>1173192004</b>	Spring On/Off Button		1
313	<b>1561348218</b>	Work Top Inox		1
500	<b>140002456022</b>	Knob Inox		1
510	<b>8086323030</b>	Control Panel Inox DSF6205X		1
525	<b>1173190206</b>	Push Button ON/OFF Inox		1
525A	<b>140002466039</b>	Push Button Set 3 Button Silver		1
525C	<b>1173189000</b>	Push Button ON/OFF Protection		1
530	<b>140002463069</b>	Handle Grey		1
530A	<b>140002464067</b>	Handle Cover Grey		1
595	<b>140002468019</b>	Support Button Push		1
N.I.	<b>5190530112</b>	Screw Switch Housing 3.5x13 TTL		-



<b>ITEM</b>	<b>PART Nº.</b>	<b>DESCRIPTION</b>	<b>EX. P09113187041</b>	<b>QTY</b>
143	<b>1527359-32/5</b>	Plate Adjustment Right Hand		1
	<b>1527359-40/8</b>	Plate Adjustment Left Hand		1
201	<b>1380184109</b>	Support Spikes Rubber Grey		2
319	<b>1561294057</b>	Basket Dishwasher Bottom Assembly		1
319A	<b>1561219005</b>	Basket Dishwasher Upper Light Grey		1
320	<b>N.P.A.</b>	Grate Cutlery Basket Dk Grey		-
342	<b>ACC107</b>	Basket Cutlery Universal (Inc. Item 320)		1
523A	<b>50286965-00/4</b>	Wheel Kit Basket Lower (8 Pieces)		1
523B	<b>140001199029</b>	Support Cup Grey		2
550	<b>8996461804602</b>	Buffer Rubber Dishwasher Upper		4
N.I.	<b>1561218007</b>	Hook Dispenser Upper Basket		1

**DISHWASHER  
ACCESSORY COMPONENTS**



ITEM	PART N°	DESCRIPTION
1	ACC017	Scalex Plus Descaler Sachet 75gm
2	ACC100	Detergent Dishwasher 1kg
3	ACC102	Rinse Aid Additive 500mls
4	ACC103	Descaler Powder 350g <b>(Dangerous Goods rules apply, min order Qty of 12)</b>
5	ACC002	Dishwasher Salt 1kg Pack
6	ACC088	Support Spikes Rubber – Grey

<b>P0000300001692</b>	<b>Legend</b>
BASE BOARD	Main Electronic Board
BOF/BH	Indication Of Operation
CAPACITOR	Capacitor
DISPENSER	Detergent Dispenser
DOOR LOCK	Door Lock
DRAIN PUMP	Drain Pump
FLOW CONTROL	Flow Meter
HEATER	Heating Element
INLET VALVE	Inlet Valve
INPUT BOARD	User Interface (Display)
LEAKAGE SWITCH	Anti-Flooding Device
MAIN SWITCH	Main Switch
NTC/TURB. SENSOR	Turbidity Sensor
POWER CORD	Power Supply
PREASSURE SENSOR	Pressure Sensor
REG. VALVE	Regeneration Valve
RINSE AID	Resin Conditioning Water Switch
SALT AID	Salt
WASH PUMP	Washing Pump
GN/YE	Green/Yellow
RD	Red
BU	Blue
BR	Brown
BK	Black