

## ***DISHLEX***

# ***DOMESTIC HOUSEHOLD FREESTANDING DISHWASHER***

CONTENTS	PAGE N°
<b>CABINET and BASE ASSEMBLY</b>	<b>2 &amp; 3</b>
<b>DOOR ASSEMBLY</b>	<b>4 &amp; 5</b>
<b>ELECTRICAL COMPONENTS</b>	<b>6 &amp; 7</b>
<b>PUMP, SUMP and HYDRAULIC SYSTEM</b>	<b>8 &amp; 9</b>
<b>WORKTOP &amp; CONTROL PANEL</b>	<b>10 &amp; 11</b>
<b>BASKET ASSEMBLY</b>	<b>12 &amp; 13</b>
<b>AFTER MARKET ACCESSORIES</b>	<b>14</b>
<b>WIRING DIAGRAM, LEGEND and CIRCUIT DIAGRAM</b>	<b>15 - 17</b>

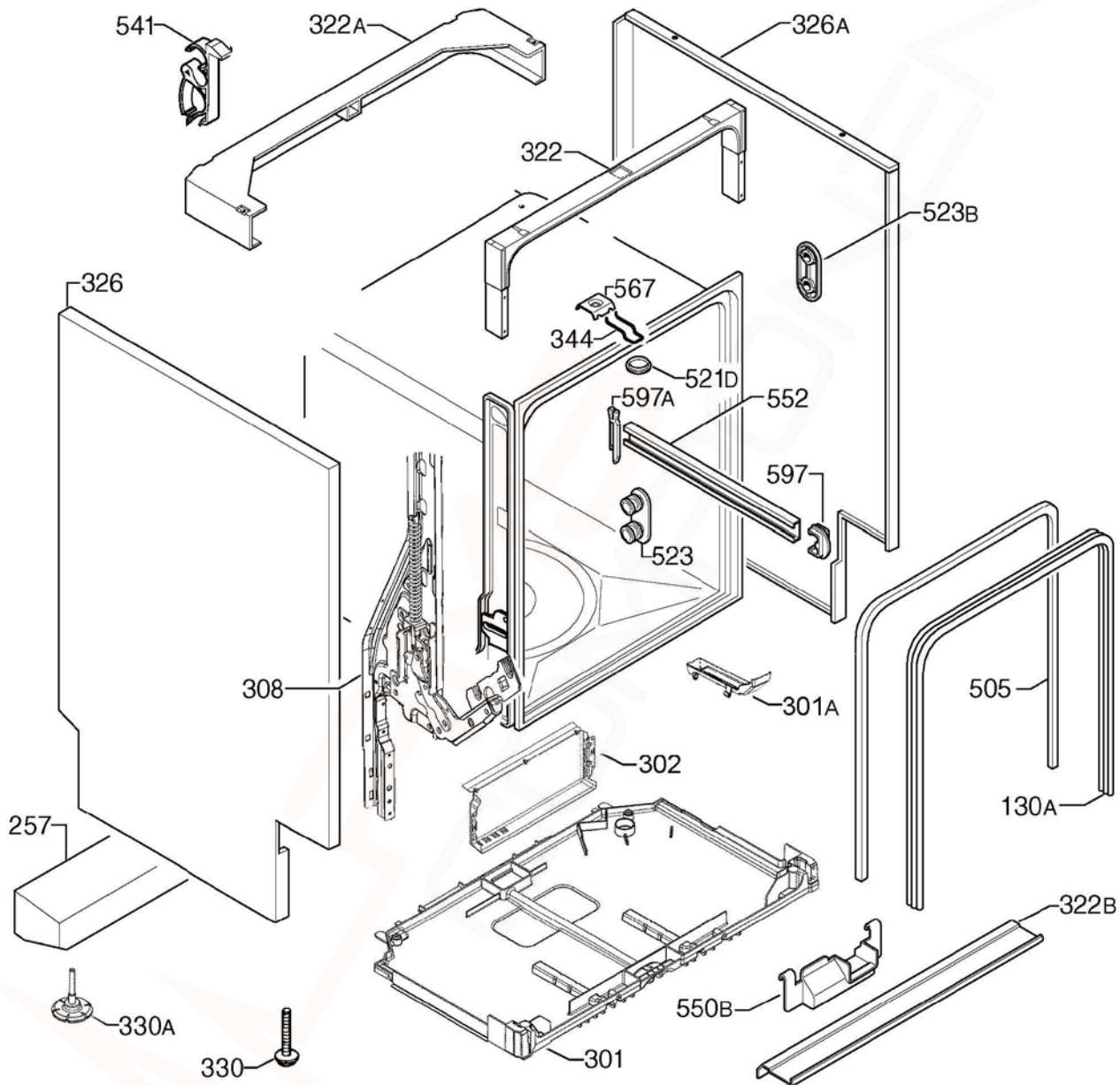
**NOTE: In Parts Listings**

<b>N.I.</b>	<b>=</b>	<b>Not Illustrated</b>
<b>N.P.A.</b>	<b>=</b>	<b>No Part Available</b>
<b>N.P.N.</b>	<b>=</b>	<b>Not Used on this Model</b>

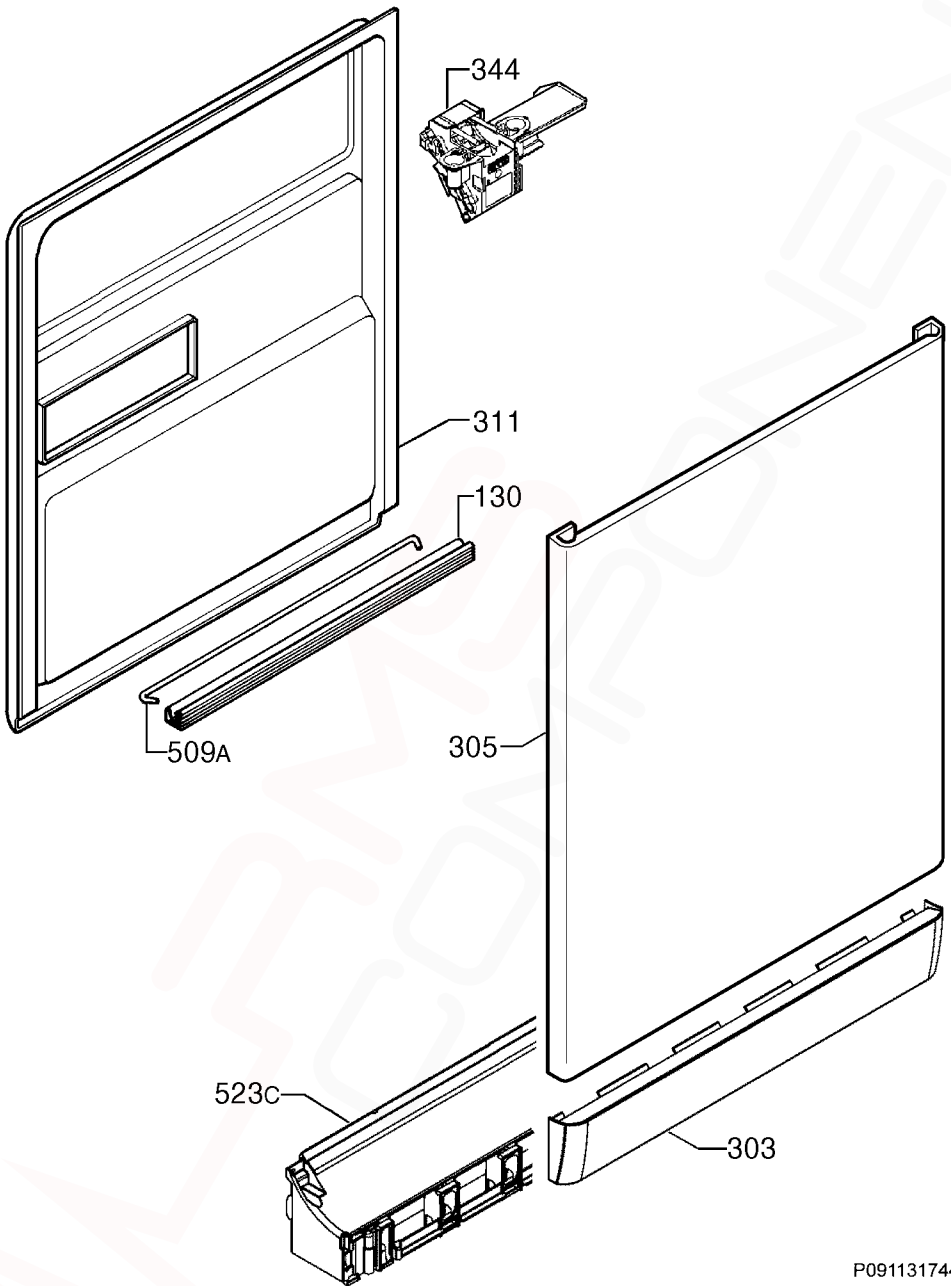
**MODEL:                   DSF6106X**

**PNC:                       911519210 00**  
**911519210 01**  
**911519210 02**

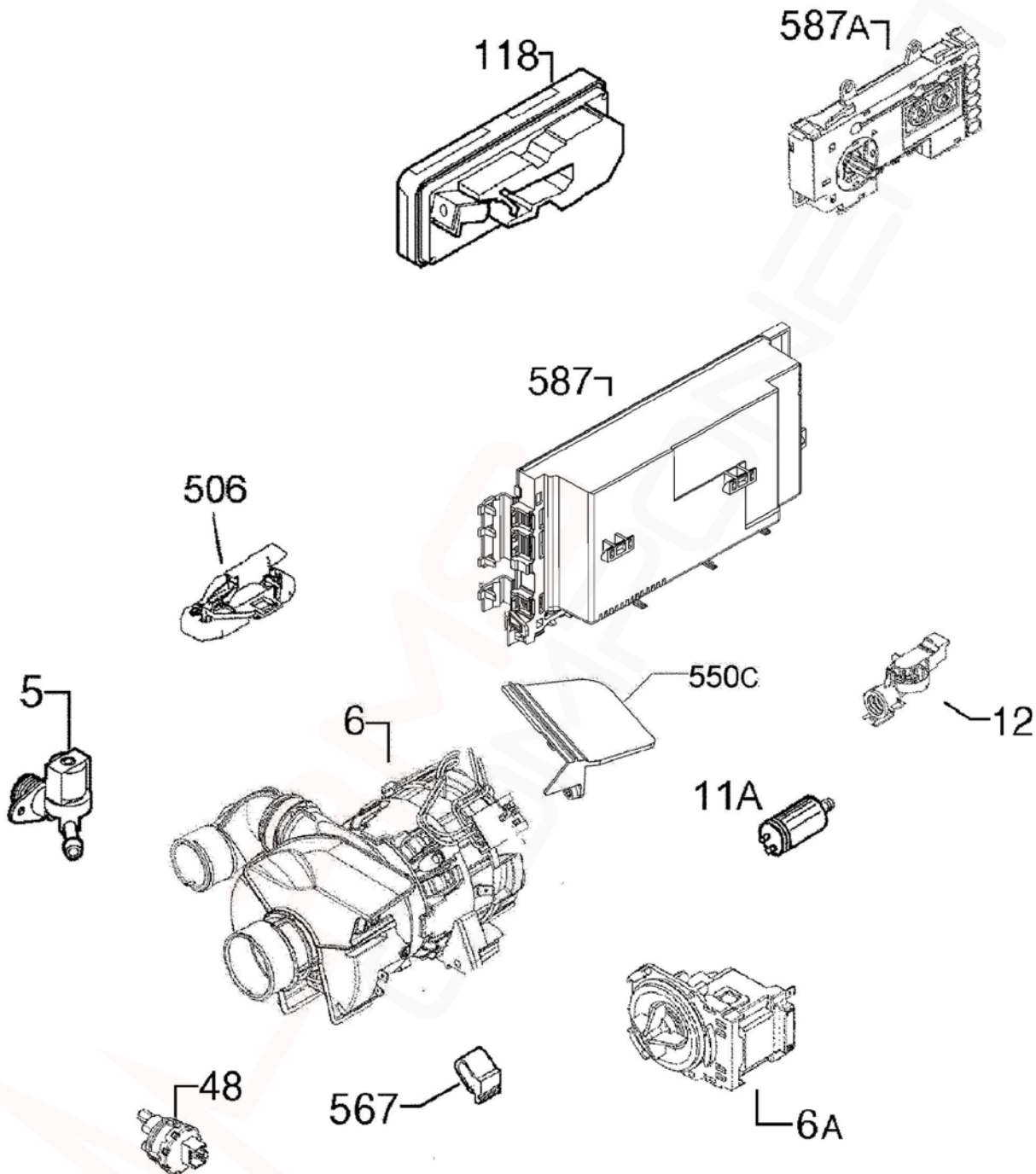
Maintenance levels 01 and 02 have been added in this issue (2) of this document. No changes in part numbers.



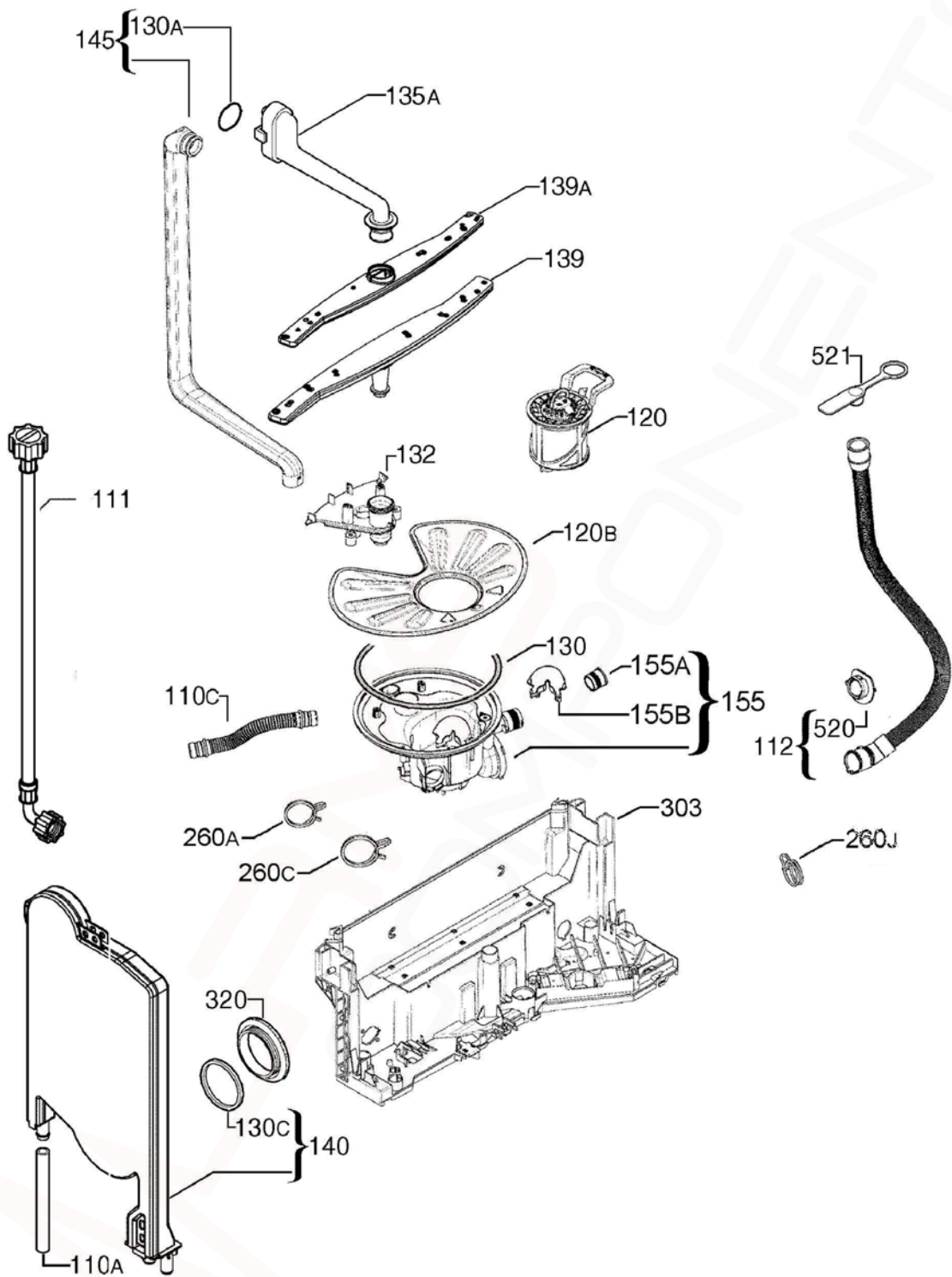
ITEM	PART N°	DESCRIPTION	EX. P09113205015	QTY
130A	<b>1171265026</b>	GASKET DOOR 17300mm		1
257	<b>N.P.A.</b>	COUNTER WEIGHT		-
301	<b>140000527014</b>	TRAY BOTTOM SPILLAGE		1
301A	<b>4055250858</b>	KIT OVERFLOW HOSE		2
302	<b>140000750012</b>	COVER ELEC CONTROL BOX		1
308	<b>4055325056</b>	KIT HINGE DOOR LH/RH		1
322	<b>1560799114</b>	BRACE FRONT UPPER		1
322A	<b>1170350043</b>	BRACE CROSSBAR UPPER REAR		1
322B	<b>140000212039</b>	BRACE CROSSBAR FRONT LOWER		1
326	<b>1170380610</b>	PANEL SIDE LEFT - SILVER		1
326A	<b>1170380719</b>	PANEL SIDE RH - SILVER		1
330	<b>1520664-10/1</b>	FOOT ADJUSTABLE x 36mm LONG		2
330A	<b>8075188014</b>	FOOT ADJUSTABLE x 48mm		2
344	<b>1522344-05/8</b>	LATCH DOOR LOCK		1
505	<b>1526715410</b>	TRIM TUB BLACK		1
521D	<b>1526576101</b>	COVER LATCH HOLE		1
523	<b>4055260790</b>	SUPPORT ROLLER KIT (PKT 4)		1
523B	<b>1118814-00/1</b>	BRACKET STIFFENING		4
541	<b>N.P.A.</b>	CLAMP HOSE		-
550B	<b>1522345071</b>	COVER WIRING PROTECTION		1
552	<b>140003656026</b>	RAIL BASKET UPPER		2
567	<b>1523236-03/0</b>	NUT SPEED CLIP		1
597	<b>1520479419</b>	STOP BASKET UPPER FRONT D/GREY		2
597A	<b>6461234061</b>	STOP BASKET UPPER REAR D/GREY		2



<b>ITEM</b>	<b>PART N°</b>	<b>DESCRIPTION</b>	<b>EX. P09113174465</b>	<b>QTY</b>
130	<b>1527401-00/2</b>	GASKET DOOR LOWER BLK x 550mm		1
303	<b>8070407013</b>	PLINTH INOX		1
305	<b>1561221456</b>	PANEL DOOR OUTER – INOX		1
311	<b>140025959028</b>	DOOR INNER INOX 577 x 617		1
344	<b>1113150120</b>	LATCH DOOR LOCK		1
509A	<b>1520419-14/2</b>	TIE HINGE		1
523C	<b>1170156-03/6</b>	HOLDER PLINTH		1

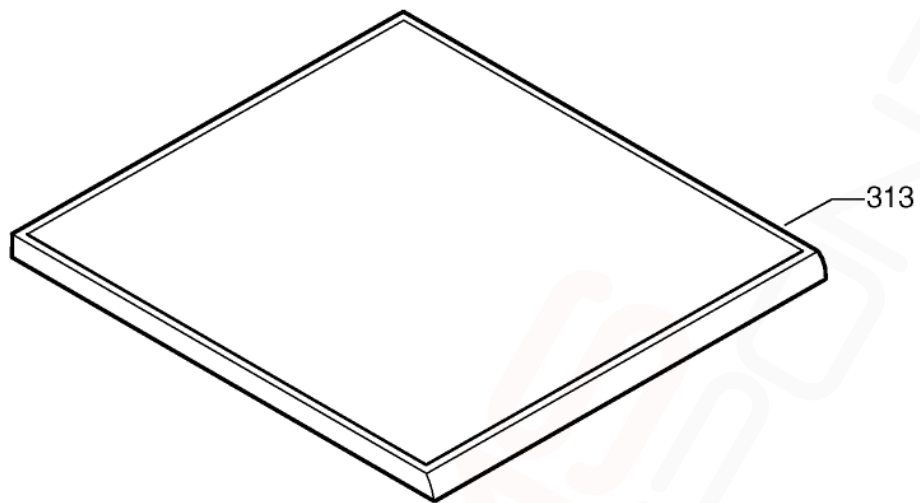


ITEM	PART N°	DESCRIPTION	EX. P09113200076	QTY
5	140001158017	VALVE FILL 2.5L/MIN		1
6	140002106056	PUMP RE-CIRC/HEATER COMP 1800W		1
6A	140000443030	PUMP DRAIN 50HZ.		1
11A	1115927012	CAPAC 3µF MOTOR DISHWASHER		1
12	140000554067	SWITCH PRESSURE		1
48	140000401012	SENSOR TEMPERATURE TURBIDITY		1
118	1113330128	DISPENSER DETERGENT		1
506	140000565048	SWITCH & FLOAT ASSY		1
550C	8080890018	COVER MOTOR DRIP PREVENTION		1
567	1171934019	SUPPORT BRACKET MOTOR RUBBER		2
587	973911519209002	PCB MAIN CONFIGURED DSF6106_		1
587A	140000423487	PCB USER INTERFACE		1
N.I.	140001945033	CORD SERVICE AU 2.15M		1
N.I.	8074849012	HARNESS PCB HEATER		1
N.I.	8088212090	HARNESS PCB PUMP		1
N.I.	8088471050	HARNESS PCB DOOR		1



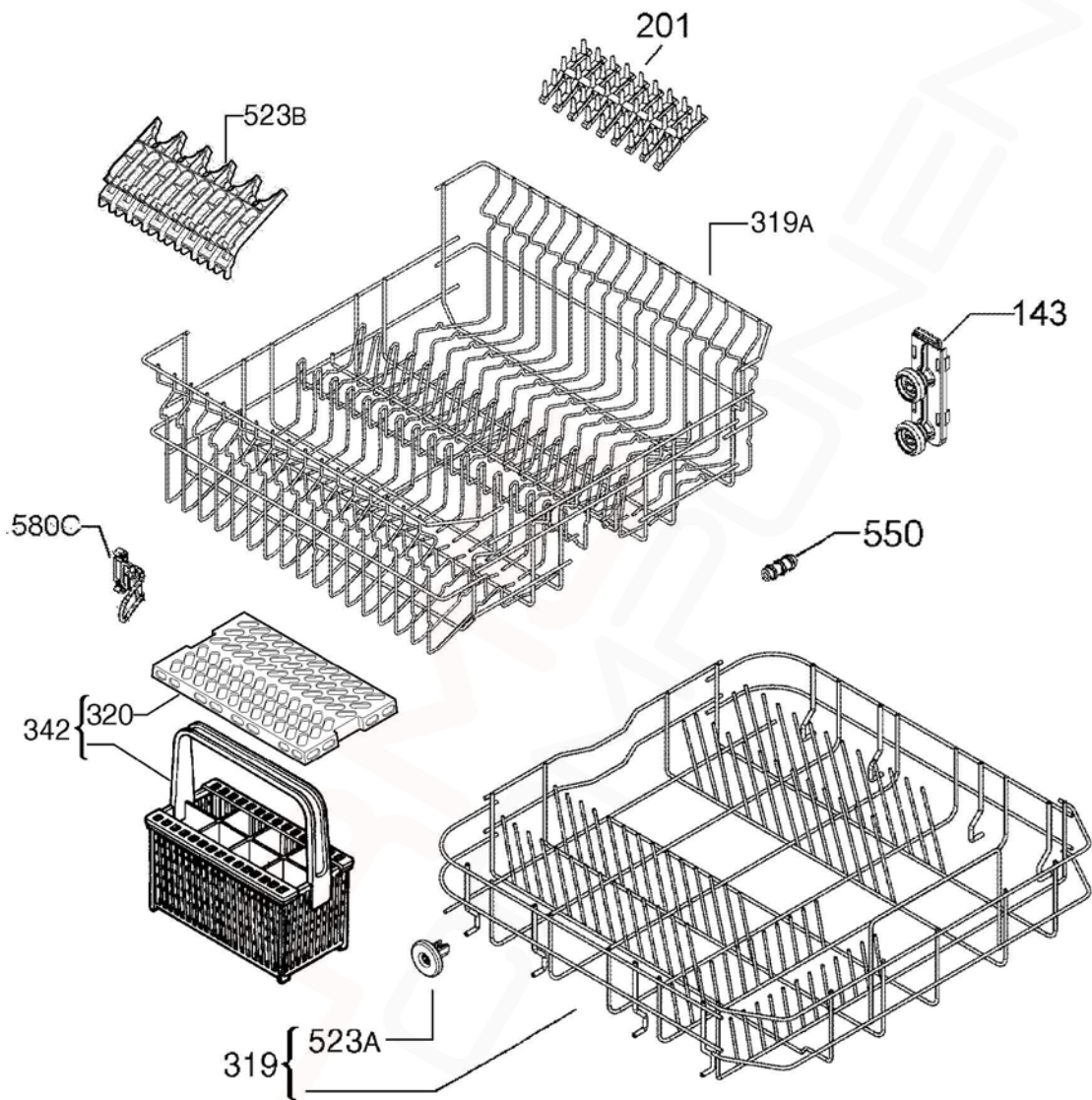


ITEM	PART N°	DESCRIPTION	EX. P09113200077	QTY
110A	1526815-10/3	TUBE AIR CHAMBER		1
110C	140000059034	HOSE SUMP TO WATER SOFT x 370mm		1
111	1400000234030	HOSE FEEDER x 1500mm LONG		1
112	140010997017	HOSE DRAIN x 2230mm		1
120	8075472178	FILTER DRAIN ASSEMBLY - FINE		1
120B	1119209045	FILTER FLAT		1
130	1119186003	O-RING SUMP		1
130A	1523119-01/2	SEAL CHANNEL DRAINAGE		1
130C	50659231-00/0	SEAL AIR CHAMBER		1
132	1119158176	SUPPORT SPRAY ARM LOWER DRK GR		1
135A	1561425370	CHANNEL FEED UPPER SPRAYARM		1
139	140000584072	SPRAY ARM LOWER DARK GREY		1
139A	1118949526	SPRAY ARM UPPER DARK GREY		1
140	1170481731	CONTAINER CUP SMALL		1
145	140000740021	TUBE MANIFOLD INNER DARK GREY		1
155	140000494298	SUMP WATER ASSEMBLY / AIR TRAP		1
155A	140000536015	VALVE NON-RETURN FLAP SUMP		1
155B	1119177010	TRAP SUMP PUMP DRAIN		1
260A	8078689026	CLAMP CIRC PUMP FLOW REGULATOR		1
260C	8078689034	CLAMP CIRCULATION PUMP-SUMP		1
260J	8078689018	CLAMP DRAIN HOSE Ø30mm		1
303	140000531065	BASEMENT REAR		1
320	1526272214	VENT VAPOUR OUTLET		1
520	8072019014	CLAMP COLLAR DRAIN HOSE		1
521	N.P.A.	PLUG DRAIN HOSE		-



P09113176040

<b>ITEM</b>	<b>PART N°</b>	<b>DESCRIPTION</b>	<b>EX. P09113176040</b>	<b>QTY</b>
125	<b>1520227016</b>	SPRING KNOB		1
313	<b>1561348218</b>	WORKTOP - SILVER		1
500	<b>140002446023</b>	KNOB SILVER		1
510	<b>8086161281</b>	PANEL CONTROL INOX DSF6106X		1
525A	<b>140002461022</b>	BUTTON PUSH LEFT - SILVER		1
525B	<b>140002462020</b>	BUTTON PUSH RIGHT - SILVER		1
530	<b>140002463069</b>	HANDLE - GREY		1
530A	<b>140002464067</b>	COVER HANDLE - GREY		1



ITEM	PART N°	DESCRIPTION	EX. P09113206618	QTY
143	<b>1561285113</b>	ROLLER BASKET ADJUSTMENT FRONT		2
	<b>1561285121</b>	ROLLER BASKET ADJUSTMENT REAR		2
201	<b>ACC088</b>	SUPPORT SPIKES RUBBER - GREY		4
319	<b>8090030076</b>	BASKET LOWER COMPLETE ASSY		1
319A	<b>140000152037</b>	BASKET UPPER DISHWASH ASSY		1
320	<b>REFER ITEM 342</b>	RACK CUTLERY		-
342	<b>ACC107</b>	BASKET CUTLERY		1
523A	<b>50286965-00/4</b>	ROLLER KIT LOWER (PKT 8)		1
523B	<b>140001199029</b>	SUPPORT CUP GREY		4
550	<b>8070264018</b>	BUFFER BASKET UPPER		2
580C	<b>140018976013</b>	HOOK BASKET UPPER DISPENSER		1

**DISHWASHER  
ACCESSORY COMPONENTS**



ITEM	PART N°	DESCRIPTION
1	ACC017	Scalex Plus Descaler Sachet 75gm
2	ACC100	Detergent Dishwasher 1kg
3	ACC102	Rinse Aid Additive 500mls
4	ACC103	Descaler Powder 350g <b>(Dangerous Goods rules apply, min order Qty of 12)</b>
5	ACC002	Dishwasher Salt 1kg Pack
6	ACC088	Support Spikes Rubber – Grey
N.I.	ACC107	Basket Cutlery Universal
N.I.	0571400142	Hose Drain Extension Straight Cuffs 2m
N.I.	ES5323K	Hose Drain Extension Kit (1M Length)

LEGEND for WIRING DIAGRAM A00330201a-b

<b>P0000300001847</b>	
BASE BOARD	Main electronic board
CAPACITOR	Capacitor
DISPENSER	Detergent dispenser
DOOR LOCK	Door lock DRAIN
PUMP	Drain pump
HEATER	Heating element
INLET VALVE	Inlet valve
INPUT BOARD	User interface (display)
LEAKAGE SWITCH	Anti-flooding device
MAIN SWITCH	Main switch
NTC/TURB. SENSOR	Turbidity sensor
POWER CORD	Power supply
PRESSURE SENSOR	Pressure Sensor
REG. VALVE	Regeneration valve (n/a)
RINSE AID	Resin conditioning water switch (n/a)
SALT AID	Salt (n/a)
WASH PUMP	Washing pump
GN/YE	Green/yellow
RD	Red
BU	Blue
BR	Brown
BK	Black