

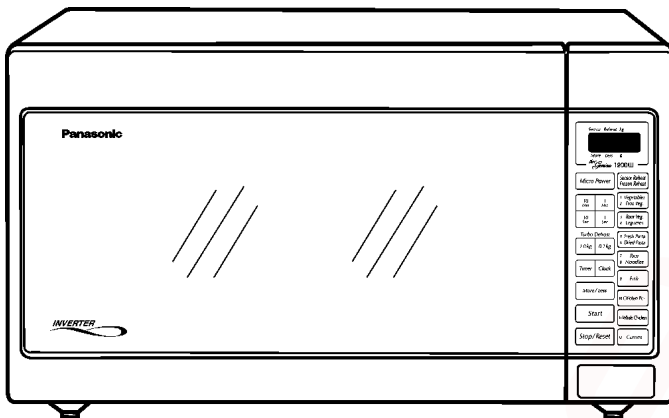
Service Manual

Microwave Oven

Simplified

NN-T793AF
NN-T783SF
NN-T703QF

QPQ(Australia & New Zealand)



Please file and use this manual together with the service manual for Model NN-S560WF (ORDER NO. SIMMC0006012C3)

Specifications:

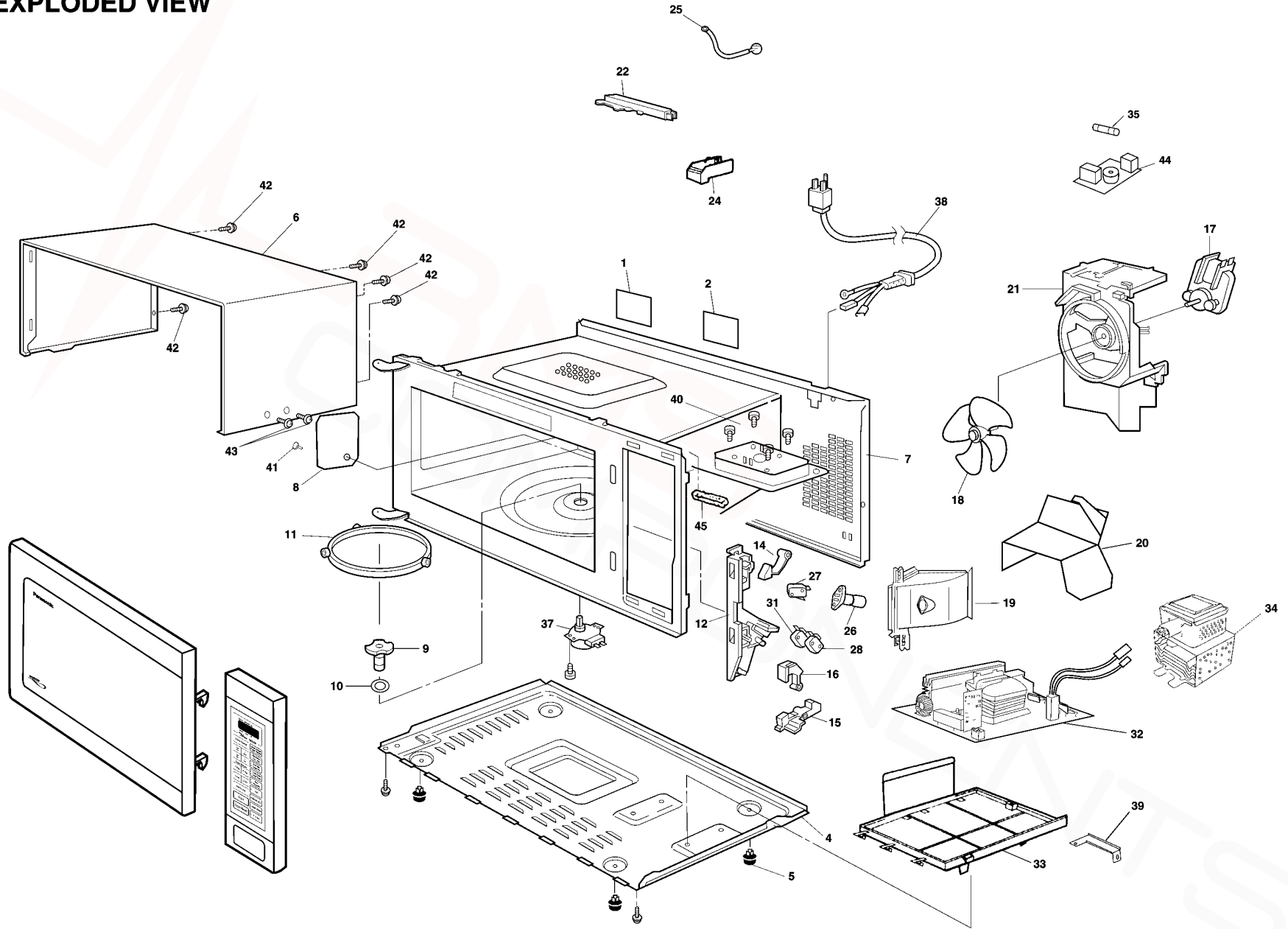
Specifications:	Models:	NN-T793AF	NN-T783SF	NN-T703QF
Power Source:	230V-240V AC Single Phase, 50Hz			
Power Requirement:	1040W	1040W	1040W	1040W
Output(IEC705-88):	1200W	1200W	1200W	1200W
Microwave Frequency:	2450MHz			
Timer:	30 min. /Stage (HIGH Power) - 5 Stage Maximum 99 min. 99 sec. /Stage (Other Power Levels) - 5 Stage Maximum			
Outside Dimensions:	555mm(W) X 493mm(D) X304mm(H)			
Oven Cavity Dimensions:	418mm(W) X 470mm(D) X 228mm(H)			
Weight:	14.5 kg			
PbF	This product with PbF			
Output power: IEC705-88 Test Procedure				
Specifications subject to change without notice.				

Panasonic®

© 2003 Shanghai Matsushita Microwave Oven Co., Ltd. All rights reserved. Unauthorized copying and distribution is a violation of law.

4 EXPLODED VIEW AND PARTS LIST

EXPLODED VIEW



5 PARTS LIST

NOTE:

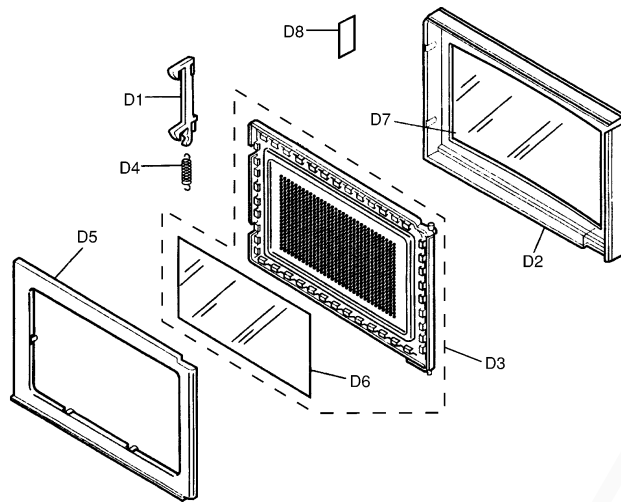
1. When ordering replacement part(s), please use part number(s) shown in this part list.
Do not use description of the part.
2. Important safety notice:
Components identified by mark have special characteristics important for safety.
When replacing any of these components, use only manufacture's specified parts.

NOTE:

"A" parts are supplied by MOD (Japan)
"F" parts are supplied by SIMMC (China)

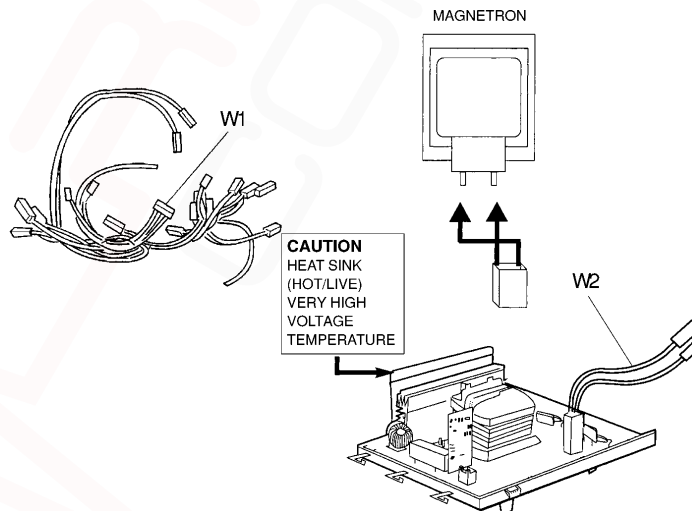
Ref. No.		Part No.	Part Name & Description	Pcs/Set	Remarks
1		F00068100HN	CAUTION LABEL	1	
2		F00075X10AQP	NAME PLATE	1	T793AF QPQ
2		F00075X10SQP	NAME PLATE	1	T783SF QPQ
2		F00075X10QQP	NAME PLATE	1	T703QF QPQ
4		F10014W00AP	BASE	1	
5		F10084T00AP	RUBBER FOOT	4	
6		F110D4W00BQP	CABINET BODY (U)	1	
7	△	F200A5X20AP	OVEN (U)	1	
8		F20555K00AP	COVER	1	
9		F21315Y00AP	PULLY SHAFT	1	
10		F2177-F80	WASHER	1	
11		F290D9330AP	ROLLER RING (U)	1	
12	△	F3020-1200	DOOR HOOK	1	
14		F3136-1200	HOOK LEVER A	1	
15		F31374650AP	HOOK LEVER B	1	
16		F31384650AP	HOOK LEVER C	1	
17		F400A4T10QP	FAN MOTOR	1	AC240V, SINGLE PHASE, 50Hz
18		F40084T00AP	FAN BLADE	1	
19		F40254W00AP	AIR GUIDE A	1	
20		F40264W00AP	AIR GUIDE B	1	
21		F41444W00AP	ORIFICE	1	
22		F64508660AP	SENSOR COVER B	1	
24		F65434W00AP	SENSOR COVER C	1	
25		A607S4M00AP	STEAM SENSOR	1	
26		F612E4J50XN	INCANDESCENT LAMP (U)	1	24V, 50Hz, 20W
27	△	J61424T00AP	MICRO SWITCH	1	(PRIMARY LATCH SWITCH) (V-16G-3C25)
28	△	F61415U30XN	MICRO SWITCH	1	(SECONDARY LATCH SWITCH) (KW3-0D-A (471))
31	△	F61785U30XN	MICRO SWITCH	1	(SHORT SWITCH) (KW3-0T-A (375))
32	△	F606Y4V00XN	H.V.INVERTER (U)	1	
33		F65854W00AP	INVERTER BRACKET A	1	
34	△	2M261-M32G	MAGNETRON	1	
35	△	A62304210BP	FUSE	1	10A/240V, 50Hz
37		F63265U30XN	TURNTABLE MOTOR	1	
38	△	F900C4W00QP	AC CORD W/PLUG	1	
39		F66624W00AP	GROUNDING PLATE	1	
40		XTWFA4+12T	SCREW	4	FOR MAGNETRON
41		F90804W00AP	CANOE CLIP	1	FOR COVER
42		XTWFA4+12D	SCREW	5	FOR CABINET BODY
43		XTTFA4+8BFZ	SCREW	2	FOR CABINET BODY SIDE
44		J692Y4T00QP	NOISE FILTER	1	

6 DOOR ASSEMBLY



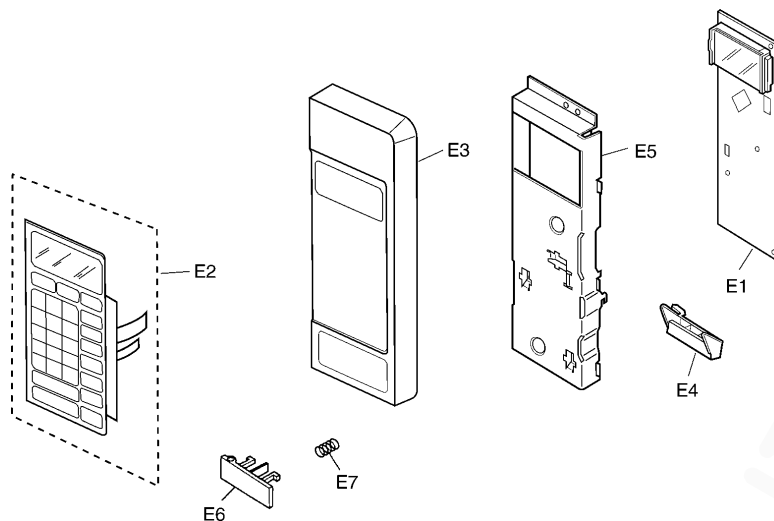
Ref. No.	Part No.	Part Name & Description	Pcs/Set	Remarks
D1	F3018-1200	DOOR KEY A	1	
D2	△ F302A5X10AAP	DOOR A (U)	1	T793AF QPQ
D2	△ F302A5X70SAP	DOOR A (U)	1	T783SF QPQ
D2	△ F302A5X10QAP	DOOR A (U)	1	T703QF QPQ
D3	△ F302K4W00AP	DOOR E (U)	1	
D4	F30215G10XN	DOOR KEY SPRING	1	
D5	△ F30854W00AP	DOOR C	1	
D6	△ F31454W00AP	DOOR SCREEN A	1	
D7	F31465X00SAP	DOOR SCREEN B	1	T793AF QPQ, T703QF QPQ
D7	F31465X70BAP	DOOR SCREEN B	1	T783SF QPQ
D8	F01729660JP	CAUTION LABEL B	1	

7 WIRING MATERIALS



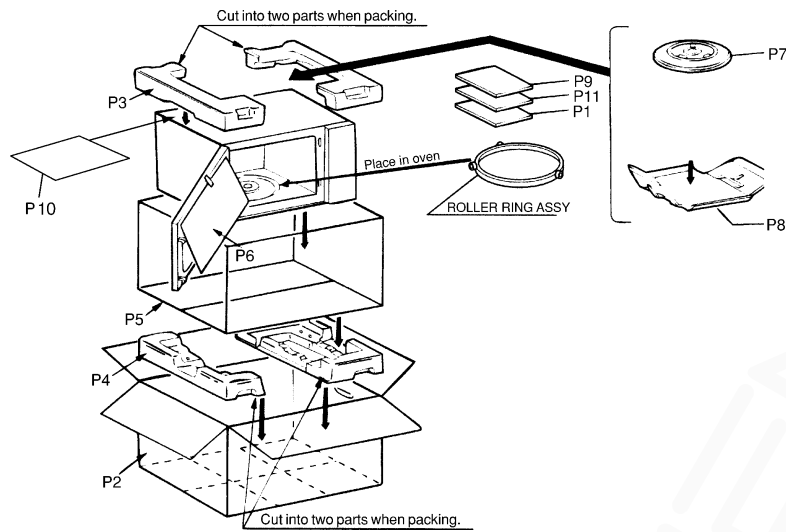
Ref. No.	Part No.	Part Name & Description	Pcs/Set	Remarks
W1	F030A5T50QP	LEAD WIRE HARNESS	1	
W2	F030E4W00CP	H.V.LEAD WIRE	1	

8 ESCUTCHEON BASE ASSEMBLY



Ref. No.	Part No.	Part Name & Description	Pcs/Set	Remarks
E1	F603L5X10QP	D.P.CIRCUIT (AU)	1	
E2	F630Y5X10SQP	MEMBRANE SWITCH (U)	1	T793AF QPQ, T703QF QPQ
E2	F630Y5X10BQP	MEMBRANE SWITCH (U)	1	T783SF QPQ
E3	F800L4W70AAP	CONTROL PANEL (AU)	1	T793AF QPQ
E3	F800L4W70BAP	CONTROL PANEL (AU)	1	T783SF QPQ
E3	F800L4W70QAP	CONTROL PANEL (AU)	1	T703QF QPQ
E4	F82564W00AP	DOOR OPENING LEVEL	1	
E5	F81274W70AP	BACK PANEL	1	
E6	F807254W70AAP	DOOR OPENING BUTTON	1	T793AF QPQ
E6	F807254W70SAP	DOOR OPENING BUTTON	1	T783SF QPQ
E6	F807254W70QAP	DOOR OPENING BUTTON	1	T703QF QPQ
E7	F80375K00AP	COOK BUTTON SPRING	1	

9 PACKING AND ACCESORIES



Ref. No.	Part No.	Part Name & Description	Pcs/Set	Remarks
P1	F00035X10QP	INSTRUCTION MANUAL	1	
P2	F01025X10AQP	PACKING CASE, PAPER	1	T793AF QPQ
P2	F01025X10SQP	PACKING CASE, PAPER	1	T783SF QPQ
P2	F01025X10QQP	PACKING CASE, PAPER	1	T703QF QPQ
P3	F01044W00AP	UPPER FILLER	1	
P4	F01054W00AP	LOWER FILLER	1	
P5	F01064W00AP	P. E. BAG	1	
P6	F01074W00AP	DOOR SHEET	1	
P7	B06014W00AP	COOKING TRAY	1	
P8	F01084W00AP	TRAY PACKING	1	
P9	F00065G40AP	CAUTION LABEL	1	
P10	F01924T00AP	SHEET	1	
P11	F00065T50QP	CAUTION LABEL	1	

INVERTER BOARD PARTS LIST (F606Y4V00XN)

Ref. No.	Part No.	Part Name & Description	Pcs/Set	Remarks
C701	AECQ2G104JC1	CAPACITOR	1	0.1 μ F , 500VDC
C702	ECQE2405T847	CAPACITOR	1	4 μ F , 250VDC
C703	AECQ2H454JC3	CAPACITOR	1	0.45 μ F , 500VDC
C704 , C705	ECWH30822JUA	CAPACITOR	2	8200PF, 3000VDC
CN701	AEEMXH00703G	CONNECTOR	1	
D701 , D702	A62024V00GP	DIODE SI	2	0.3A
D703	AESSRCT1H7-E	DIODE SI	1	
D704, D705	AESSRCT1A6-E	DIODE SI	2	
D706	AESS133T-77	DIODE SI	1	MA196, 0.1A
DB701	AESTRS2006M	DIODE SI	1	20A, 600V
	XTWA3+12B	SCREW	2	3*12 (FOR DB701, Q701)
	XTNA3+12B	SCREW	1	3*12 (FOR Q702)
H.S.	F66914V00XN	HEAT SINK	1	
IC702 , IC703	AEICP25011HL	IC	2	
IC801	AN9DB07SB-E1	IC	1	
L701	F50204V00XN	CHOKE COIL	1	
Q701	A691E4V10GP	TRANSISTOR SI	1	
Q702		TRANSISTOR SI	1	
C806		CAPACITOR	1	56PF TRANSISTOR(Q701, Q702) KIT
Q703, Q704	2SC2785TFK	TRANSISTOR SI	2	
Q705	2SA1175TFK	TRANSISTOR SI	1	
R715	AERGRY15J452	RESISTOR	1	4.5K Ω , 15W
VR701	AEVTZ6TLT102	VARIABLE RESISTOR	1	1K Ω , 30%
ZD701, ZD703, ZD704, ZD705	AESZMTZJ10B	ZENER DIODE SI	4	
ZD702	AESZMTZJ12C	ZENER DIODE SI	1	
T701	F609A4V00XN	H.V. TRANSFORMER	1	PBF
CT701	F66904V00XN	CURRENT TRANSFORMER	1	