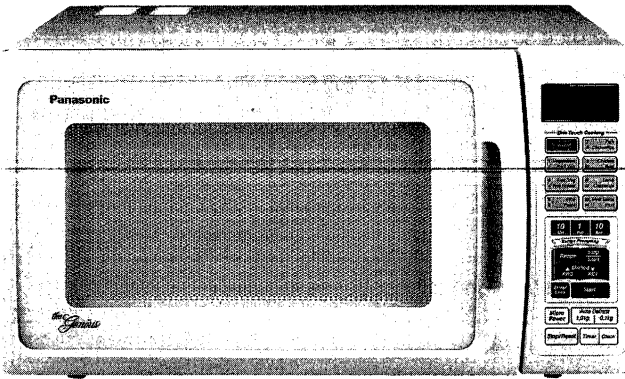


REFERENCE COPY

ORDER NO. MMCA9706035C3
E1

Service Manual

Microwave Oven



NN-S687WA

MODELS	QPQ	JPG	VPE
NN-S537WA	○	—	—
NN-S687WA	○	○	○
NN-T687SA	○	○	—

Models sold in these markets:

QPQ - Australia

JPG - New Zealand

VPE - South Africa

Specifications:

Models:	NN-S537WAQPQ	NN-S687WAQPQ/JPG/VPE & NN-T687SAQPQ/JPG
Power Source:	240 V AC Single Phase, 50 Hz For QPQ Models 230 V AC Single Phase, 50 Hz For JPG Models 220 V AC Single Phase, 50 Hz For VPE Models	
Power Requirements:	1400W (6.2A)	1600W (7.0A)
Cavity Size:	1.0 cu. ft.	1.2 cu. ft.
Output: (IEC705-88)	930W	1000W
Microwave Frequency:	2,450MHz	2,450MHz
Timer:	99 min. 99 sec.	99 min. 99 sec.
Outside Dimensions:	20" (W) X 14 ⁹ / ₁₆ " (D) X 12" (H) 510mm (W) X 360mm (D) X 306mm (H)	21 ⁷ / ₈ " (W) X 16 ³ / ₄ " (D) X 12" (H) 555mm (W) X 425mm (D) X 306mm (H)
Inside Dimensions:	13 ⁷ / ₈ " (W) X 13 ⁵ / ₁₆ " (D) X 9" (H) 353mm (W) X 338mm (D) X 229mm (H)	14 ³ / ₄ " (W) X 15 ⁵ / ₁₆ " (D) X 8 ⁵ / ₈ " (H) 375mm (W) X 395mm (D) X 220mm (H)
Weight:	34 lbs/15.3 kg	38 lbs/17.2 kg
Output power: IEC705-88 Test procedure		
Specifications subject to change without notice		

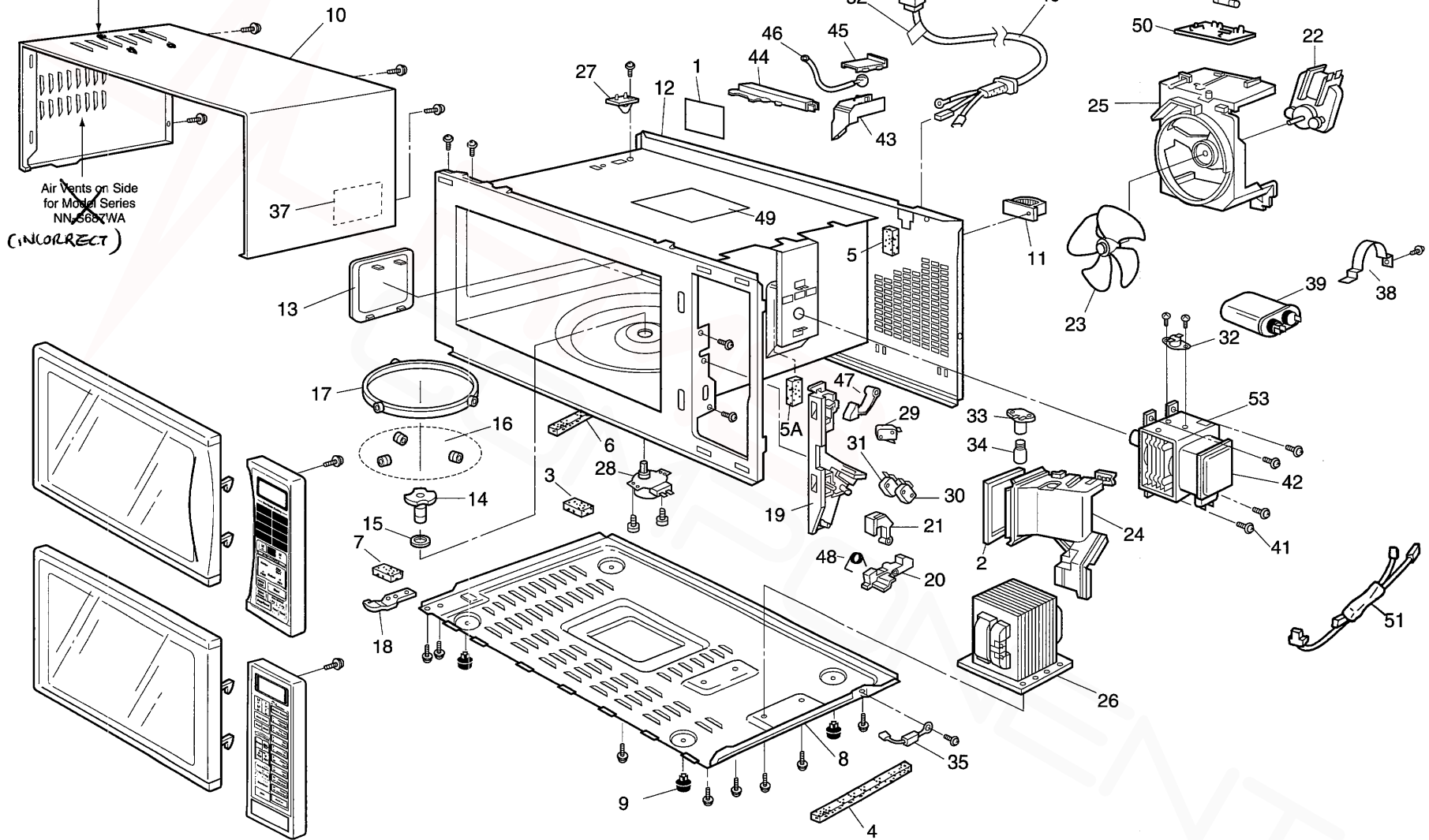
Panasonic®

© 1997 Matsushita Electric Industrial Co., Ltd.
All rights reserved. Unauthorized copying and
distribution is a violation of law.

EXPLODED VIEW AND PARTS LIST

AIR VENTS GROUDED TOWARDS REAR FOR MODEL NN-5637WA.

Air Vents on Top (WITH MOUNTING HOLES(4) FOR AIR GUIDE)
for Model Series NN-T667SA



(S-933 QPQ)

PARTS LIST

NOTES: • When ordering replacement part(s), please use part number(s) shown in this parts list.
Do not use description of the part.

• Important safety notice:

Components identified by Δ mark have special characteristics important for safety.
When replacing any of these components, use only manufacturer's specified parts.

• Items marked * supplied by MMOC (MAC). (U.S.A.)

• Model Number suffixes in Remarks column (i.e. QPQ etc.) indicate parts applicable to only specified country models as follows.

QPQ: For Australia, JPG: For New Zealand, VPE: For South Africa

Parts without these suffixes can be used for all countries in that Model No. Series.

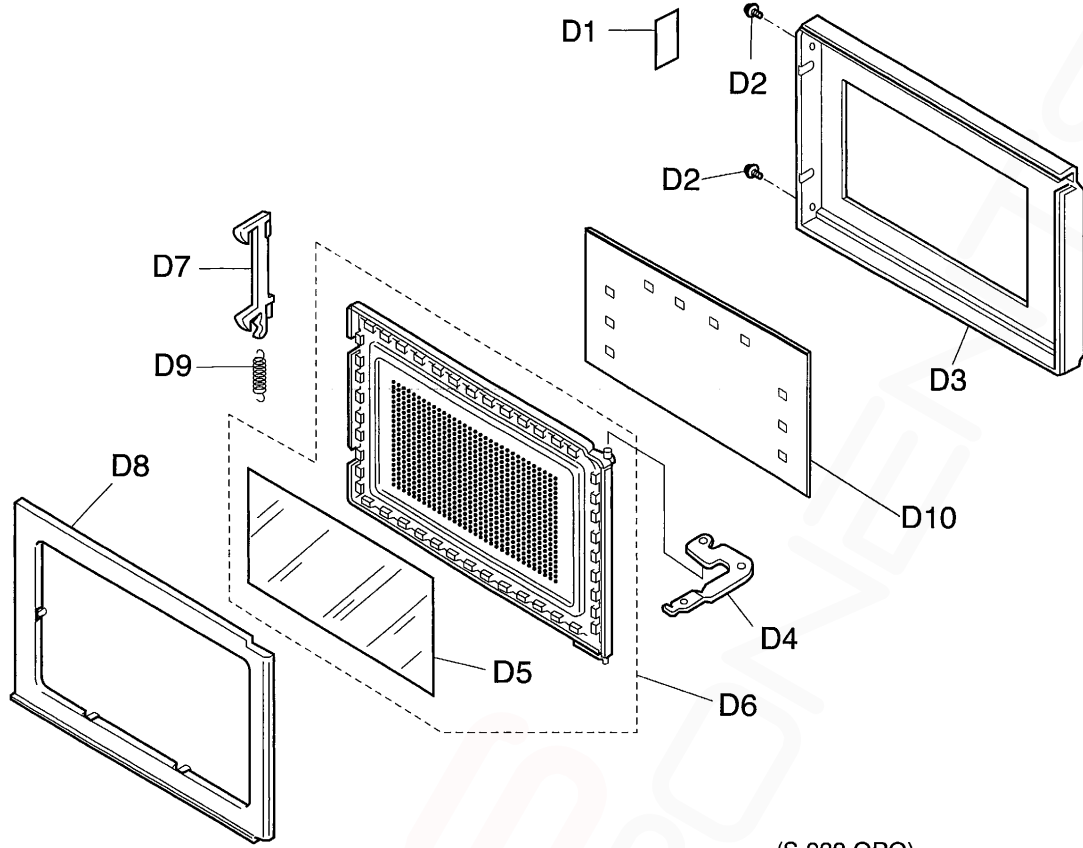
Ref.No.	Part No.	Part Name & Description	Pcs/Set	Remarks
*1	B00065460JP	CAUTION LABEL	1	
*2	AMQ0902000AR	CUSHION RUBBER A	1	NN-T687SAQPQ/JPG
*3	AMQ0902000BA	CUSHION RUBBER A	1	NN-S687WAQPQ/JPG/VPE, NN-T687SAQPQ/JPG
*4	AMQ0903000AG	CUSHION RUBBER A	1	NN-S537WAQPQ, NN-S687WAQPQ/JPG/VPE
*4	AMQ0902000AH	CUSHION RUBBER A	1	NN-T687SAQPQ/JPG
*5	AMQ0902000FD	CUSHION RUBBER A	1	NN-S537WAQPQ
*5A	AMQ0908000AE	CUSHION RUBBER A	1	NN-S687WAQPQ/JPG/VPE, NN-T687SAQPQ/JPG
*6	AMQ0928000AT	CUSHION RUBBER A	1	NN-S687WAQPQ/JPG/VPE, NN-T687SAQPQ/JPG
*7	AMQ0904000BB	CUSHION RUBBER A	1	NN-S687WAQPQ/JPG/VPE, NN-T687SAQPQ/JPG
*8	B10018250AP	BASE / 1.0	1	NN-S537WAQPQ
*8	B10018640AP	BASE / 1.2	1	NN-S687WAQPQ/JPG/VPE, NN-T687SAQPQ/JPG
*9	B10088250AP	RUBBER FOOT	4	
*10	B110D7250HAP	CABINET BODY (U) W/ INSUL. SHEET / 1.0	1	NN-S537WAQPQ
*10	B110D9580AP	CABINET BODY (U) W/ INSUL. SHEET / 1.2	1	NN-T687SAQPQ/JPG
*10	B110D6240HQP	CABINET BODY (U) W/ INSUL. SHEET / 1.2	1	NN-S687WAQPQ/JPG/VPE
*11	B11408760AP	STOPPER A	1	
*12	Δ B200A8340AP	OVEN / 1.0	1	NN-S537WAQPQ
*12	Δ B201A9390RP	OVEN / 1.2	1	NN-S687WAQPQ/JPG/VPE, NN-T687SAQPQ/JPG
*13	B20557000AP	CEILING COVER WHITE	1	
*14	B21315540AP	PULLEY SHAFT	1	
*15	B21777050AP	WASHER	1	
*16	B202K4650AP	ROLLER B (U)	1	(NOTE 1)
*17	B290D5950AP	ROLLER RING (U) / 1.0	1	NN-S537WAQPQ
*17	B290D5500AP	ROLLER RING (U) / 1.2	1	NN-S687WAQPQ/JPG/VPE, NN-T687SAQPQ/JPG
*18	Δ B30077050AP	LOWER HINGE (B) / 1.0 / 1.2	1	
*19	Δ B3020-1480	DOOR HOOK A	1	NN-S537WAQPQ, NN-S687WAQPQ/JPG/VPE
*19	Δ B30204830AP	DOOR HOOK A	1	NN-T687SAQPQ/JPG
*20	B3137-1480	HOOK SPACER B	1	NN-S537WAQPQ, NN-S687WAQPQ/JPG/VPE
*20	B31374830AP	HOOK SPACER B	1	NN-T687SAQPQ/JPG
*21	B3138-1480	HOOK SPACER C	1	NN-S537WAQPQ, NN-S687WAQPQ/JPG/VPE
*21	B31384830AP	HOOK SPACER C	1	NN-T687SAQPQ/JPG
*22	2Z-9AUA.S.	FAN MOTOR	1	(24W, AC, SINGLE PHASE)
*23	B40086260AP	FAN BLADE	1	NN-S537WAQPQ
*23	B40085950AP	FAN BLADE	1	NN-S687WAQPQ/JPG/VPE, NN-T687SAQPQ/JPG
*24	B40258250AP	AIR GUIDE A	1	
*25	B41448250AP	ORIFICE / 1.0	1	NN-S537WAQPQ
*25	B41447630AP	ORIFICE / 1.2	1	NN-S687WAQPQ/JPG/VPE, NN-T687SAQPQ/JPG
*26	Δ B621C8360QP	H. V. TRANSFORMER	1	NN-S537WAQPQ
*26	Δ B621C9250QP	H. V. TRANSFORMER	1	NN-S687WAQPQ/JPG/VPE, NN-T687SAQPQ/JPG
*27	A601L5180AP	TEMP SENSOR	1	
*28	B63264760JP	TURNTABLE MOTOR	1	(3W)
*29	Δ ANE6142-1450	MICRO SWITCH	1	(V-16G-3C26-M) PRIMARY LATCH SWITCH
*30	Δ A61425180AP	MICRO SWITCH	1	(L-3C2-2) SECONDARY LATCH SWITCH
*31	Δ A61785180AP	MICRO SWITCH	1	(L-2C2-2) SHORT SWITCH
*32	Δ B61456240QP	THERMAL CUTOUT	1	
*33	Δ B61524740AQ	SOCKET	1	
*34	B60304080BP	INCANDESCENT LAMP	1	
*35	Δ A62024000AP	DIODE, SI	1	

Ref.No.		Part No.	Part Name & Description	Pcs/Set	Remarks
*36	△	B63317550GP	FUSE	1	(10A)
*37		B60704760JP	INSULATION SHEET	1	
*38		B61884060AP	CAPACITOR BRACKET	1	
*39	△	E60904080GP	H. V. CAPACITOR	1	(1.14uf. AC2000V)
*40	△	B910C4760QP	AC CORD W/PLUG	1	(240V)
*41		XTT4+8B	SCREW	4	(4X8) FOR MAGNETRON
*42	△	2M210-M1F1	MAGNETRON / 1.0 / 1.2	1	
*43		B64498660AP	SENSOR COVER A	1	NN-S687WAQPQ/JPG/VPE, NN-T687SAQPQ/JPG
*44		B64508660AP	SENSOR COVER B	1	NN-S687WAQPQ/JPG/VPE, NN-T687SAQPQ/JPG
*45		B65438660AP	SENSOR COVER C	1	NN-S687WAQPQ/JPG/VPE, NN-T687SAQPQ/JPG
*46		A607S7050AP	STEAM SENSOR	1	NN-S687WAQPQ/JPG/VPE, NN-T687SAQPQ/JPG
*47		B3136-1480	HOOK SPACER A	1	NN-S537WAQPQ, NN-S687WAQPQ/JPG/VPE
*48		J3097-1480	LATCH SPRING	1	NN-S537WAQPQ, NN-S687WAQPQ/JPG/VPE
*49		B03478250AP	COVER SHEET	1	NN-S537WAQPQ
*50		B692Y7680VP	NOISE FILTER	1	
*51		B606V7640QP	PROTECTOR DIODE	1	
*52		B0239L00XN	AC CORD LABEL	1	ALL VPE MODELS ONLY
*53		B03115460QP	N LABEL	1	(ON MAGNETRON)
*		B08878640HAP	CABINET BODY TOUCH-UP PAINT (WHITE)	1	BOTTLE WITH BRUSH
*		B08878640AP	CABINET BODY TOUCH-UP PAINT (BLACK)	1	BOTTLE WITH BRUSH
*		B0887705AAP	CAVITY SPRAY PAINT/1.0	1	SPRAY CAN, FOR REPAIR OF PAINTED OVEN CAVIT
*		B0887700AAP	TOUCH-UP PAINT/1.0	1	BOTTLE WITH BRUSH, FOR REPAIR OF PAINTED OVEN CAVITY
*		B08877050AP	CAVITY SPRAY PAINT/1.2	1	SPRAY CAN, FOR REPAIR OF PAINTED OVEN CAVIT
*		B08877000AP	TOUCH-UP PAINT/1.2	1	BOTTLE WITH BRUSH, FOR REPAIR OF PAINTED OVEN CAVITY

NOTE 1: When ordering the roller B assy, three rollers will be shipped.
When replacing the roller B, three rollers should be replaced at the same time.
Otherwise the glass cooking tray may not turn smoothly.

~~(USE NN-S687WA) - PART NO. B301A8660HCP~~
~~INCORRECT~~

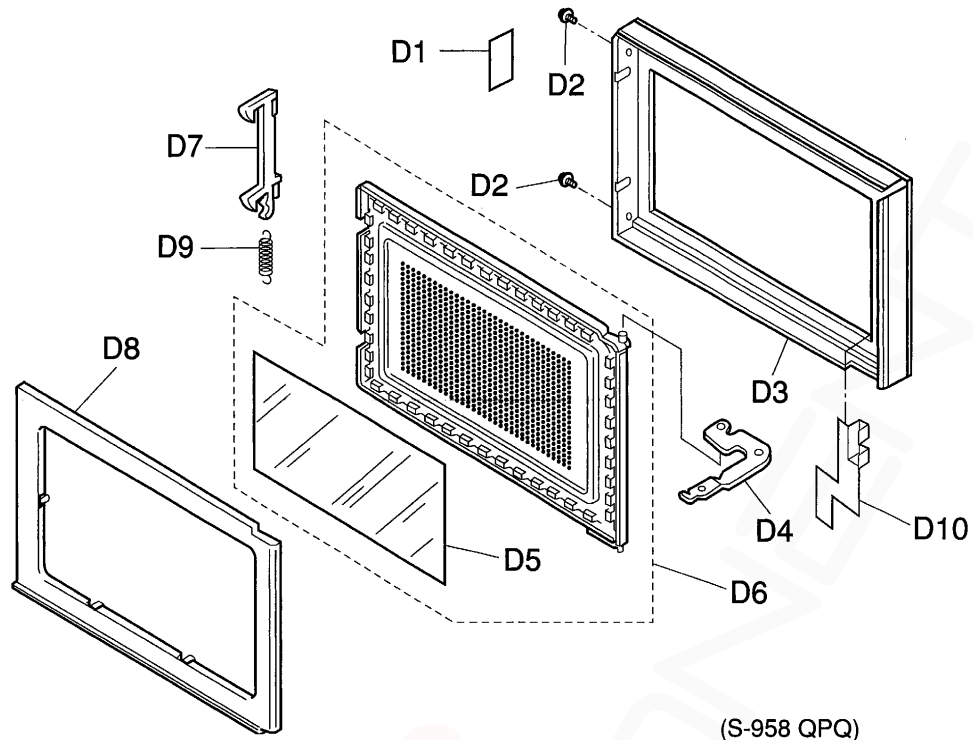
DOOR ASSEMBLY (NN-S537WAQPQ, NN-S687WAQPQ/JPG/VPE)



(S-933 QPQ)

Ref.No.		Part No.	Part Name & Description	Pcs/Set	Remarks
*D1		B01726210JP	CAUTION LABEL	1	NN-S687WAJPG
*D2		XTBANE3+8BZ	SCREW	2	
*D3	△	B301A8660HCP	DOOR A (U) / 1.2 / WHITE	1	NN-S687WAQPQ/JPG/VPE (NOTE 2)
*D3	△	B301A9500HAP	DOOR A (U) / 1.0 / WHITE	1	NN-S537WAQPQ (NOTE 2)
*D4	△	B30067050AP	UPPER HINGE A(U)	1	
*D5	△	B31457050AP	DOOR SCREEN A / 1.2	1	NN-S687WAQPQ/JPG/VPE
*D5	△	B31457200AP	DOOR SCREEN A / 1.0	1	NN-S537WAQPQ
*D6	△	B302K8660HAP	DOOR E(U) / 1.2 / WHITE	1	NN-S687WAQPQ/JPG/VPE
*D6	△	B302K8340HAP	DOOR E(U) / 1.0 / WHITE	1	NN-S537WAQPQ
*D7		B3018-1480	DOOR KEY	1	
*D8	△	B30858640HAP	DOOR C / 1.2 / WHITE	1	NN-S687WAQPQ/JPG/VPE
*D8	△	B30858340HAP	DOOR C / 1.0 / WHITE	1	NN-S537WAQPQ
*D9		B30214000AP	DOOR KEY SPRING	1	
*D10	△	B31469410HAP	DOOR SCREEN B/1.0	1	NN-S537WAQPQ

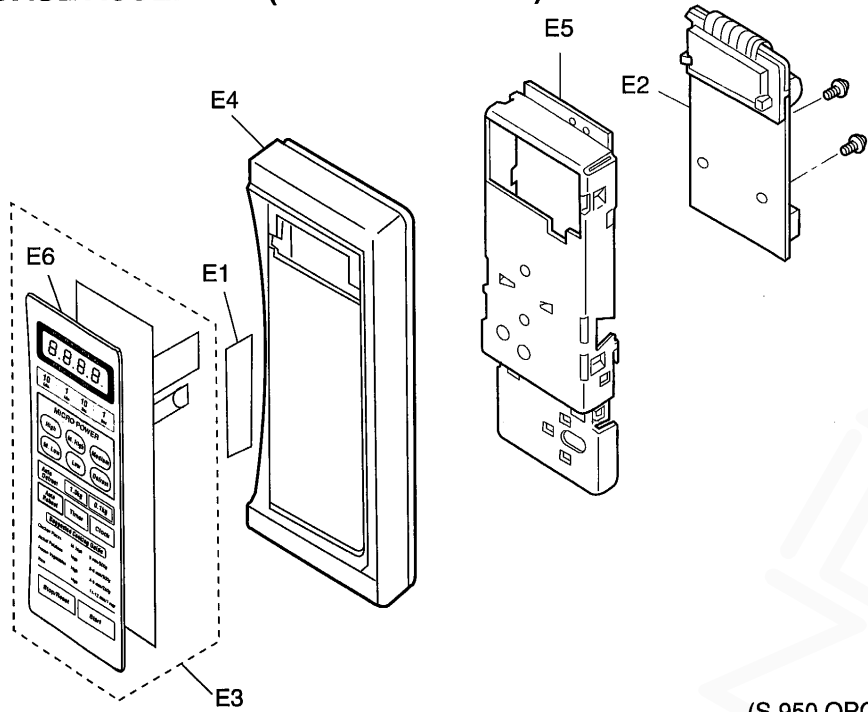
NOTE 2: Please order Door A and Caution Label together

DOOR ASSEMBLY (NN-T687SAQPQ/JPG)

Ref.No.	Part No.	Part Name & Description	Pcs/Set	Remarks
*D1	B01726210JP	CAUTION LABEL	1	NN-T687SAJPG
*D2	XTBANE3+8BZ	SCREW	2	
*D3	△ B301A9580SAP	DOOR A (U) / 1.2 / STAINLESS	1	(NOTE 2)
*D4	△ B30067050AP	UPPER HINGE A(U)	1	
*D5	△ B31457050AP	DOOR SCREEN A	1	
*D6	△ B302K8660AP	DOOR E(U) / 1.2 / BLACK	1	
*D7	B30187050AP	DOOR KEY	1	
*D8	△ B30858640AP	DOOR C / 1.2 / BLACK	1	
*D9	B30214000AP	DOOR KEY SPRING	1	
D10	A31529570AP	GROUNDING PLATE	1	

NOTE 2: Please order Door A and Caution Label together

ESCUTCHEON BASE ASSEMBLY (NN-S537WAQPQ)

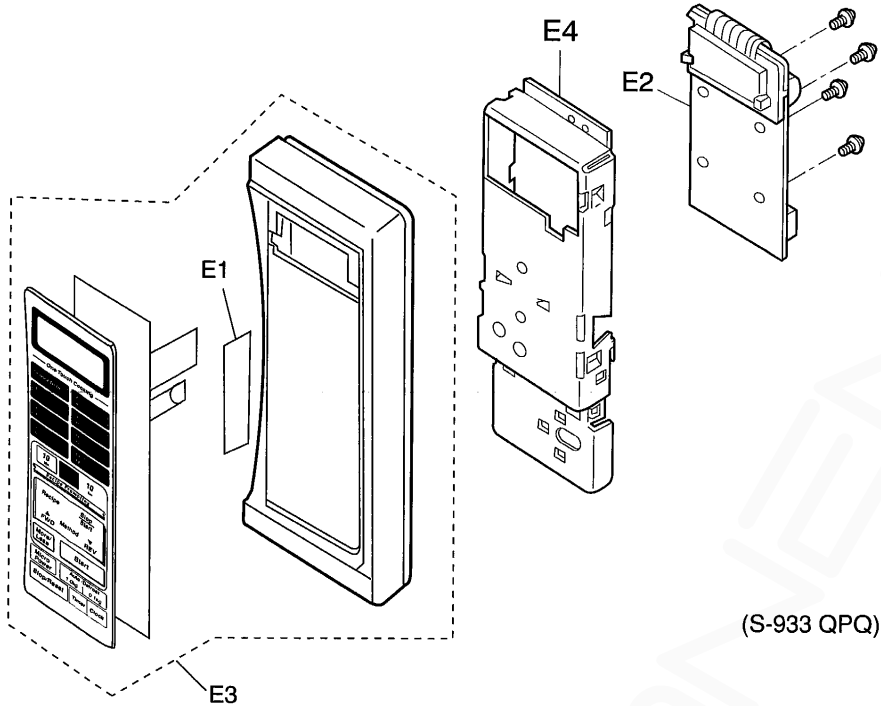


(S-950 QPQ)

Ref.No.	Part No.	Part Name & Description	Pcs/Set	Remarks
*E1	B00079500HQP	NAME PLATE	1	
*E2	B603L9500QP	D.P.CIRCUIT (U)	1	RTL (W/COMPONENTS)
*E3	B600Y9400HQP	MEMBRANE SWITCH (U)	1	(W/ESCUTCHEON SHEET)
*E4	B80348660HAP	ESCUTCHEON BASE	1	(NOTE 3)
*E5	B81278640AP	BACK PLATE	1	
E6	A83379500HQP	ESCUTCHEON SHEET	1	

NOTE 3: Please order Escutcheon Base and Name Plate together.

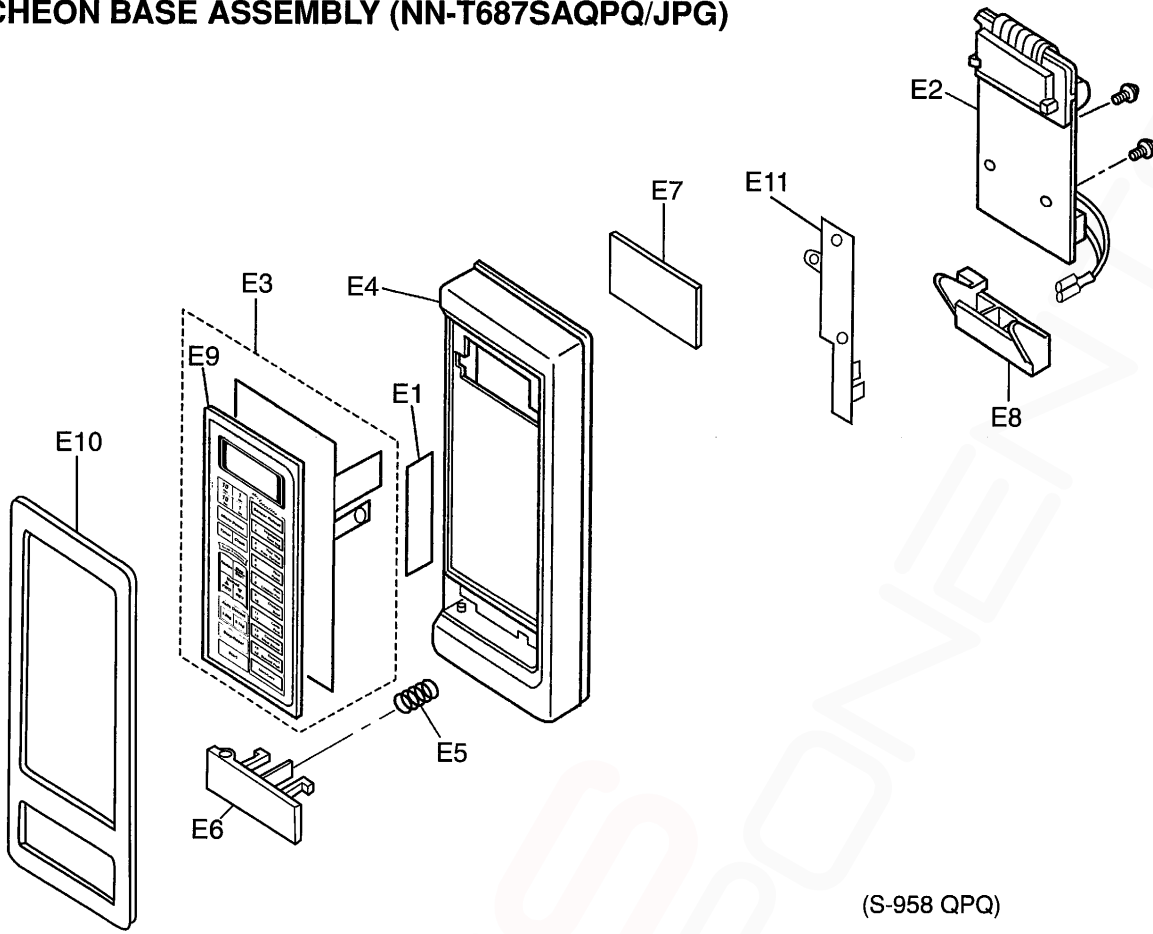
ESCUTCHEON BASE ASSEMBLY (NN-S687WAQPQ/JPG/VPE)



Ref.No.	Part No.	Part Name & Description	Pcs/Set	Remarks
*E1	B00079330HQP	NAME PLATE	1	NN-S687WAQPQ
*E1	B00079330HJP	NAME PLATE	1	NN-S687WAJPG
*E1	B00079330HVP	NAME PLATE	1	NN-S687WAVPE
*E2	B603L9330QP	D. P. CIRCUIT (U)	1	NN-S687WAQPQ/JPG RTL (W/COMPONENTS)
*E2	B603L9330VP	D. P. CIRCUIT (U)	1	NN-S687WAVPE RTL (W/COMPONENTS)
*E3	B81278640AP	ESCUTCHEON BASE (U)	1	
*E4	B81278640AP	BACK PLATE	1	

NOTE 3: Please order Escutcheon Base (U) and Name Plate together.

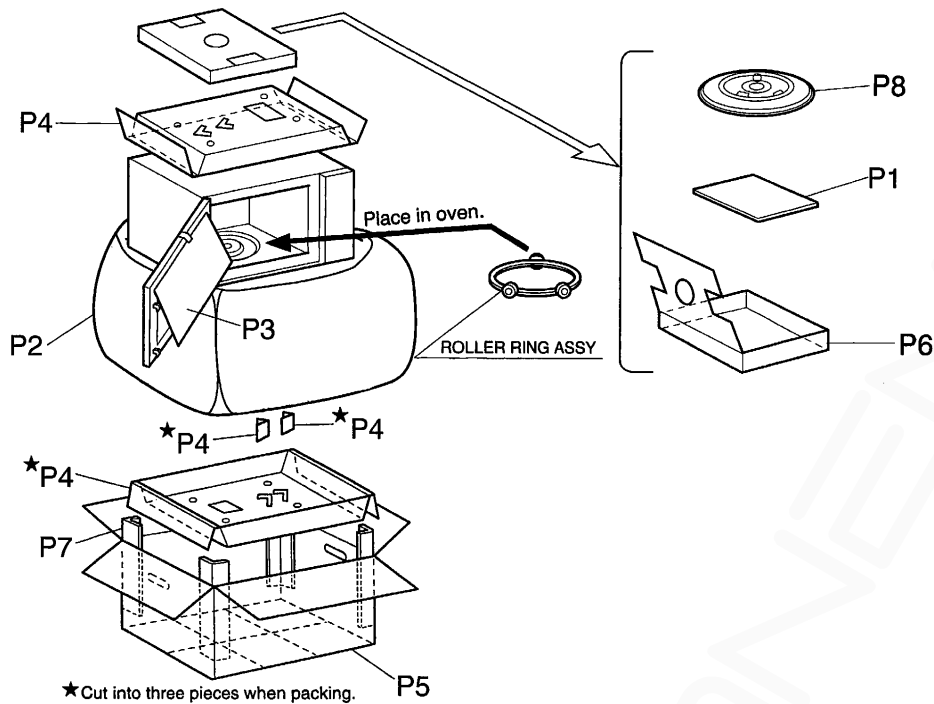
ESCUTCHEON BASE ASSEMBLY (NN-T687SAQPQ/JPG)



Ref.No.	Part No.	Part Name & Description	Pcs/Set	Remarks
*E1	B00079580QP	NAME PLATE	1	NN-T687SAQPQ
*E1	B00079580JP	NAME PLATE	1	NN-T687SAJPG
*E2	B603L9580QP	D.P. CIRCUIT(U) W/ GROUND LEAD WIRE	1	RTL (W/COMPONENTS)
*E3	B830Y9580QP	MEMBRANE SWITCH(U)	1	(W/ESCUTCHEON SHEET)
E4	A80349570AP	ESCUTCHEON BASE	1	(NOTE 3)
*E5	B80375950AP	COOK BUTTON SPRING	1	
E6	A80729570AP	DOOR OPENING BUTTON	1	
*E7	B80029580AP	DISPLAY LENS	1	
*E8	B82567630AP	DOOR OPENING LEVER	1	
*E9	B83379580QP	ESCUTCHEON SHEET	1	
E10	A80359570AP	ESCUTCHEON BASE COVER	1	
E11	A66629570AP	GROUNDING PLATE	1	

NOTE 3: Please order Escutcheon Base and Name Plate together.

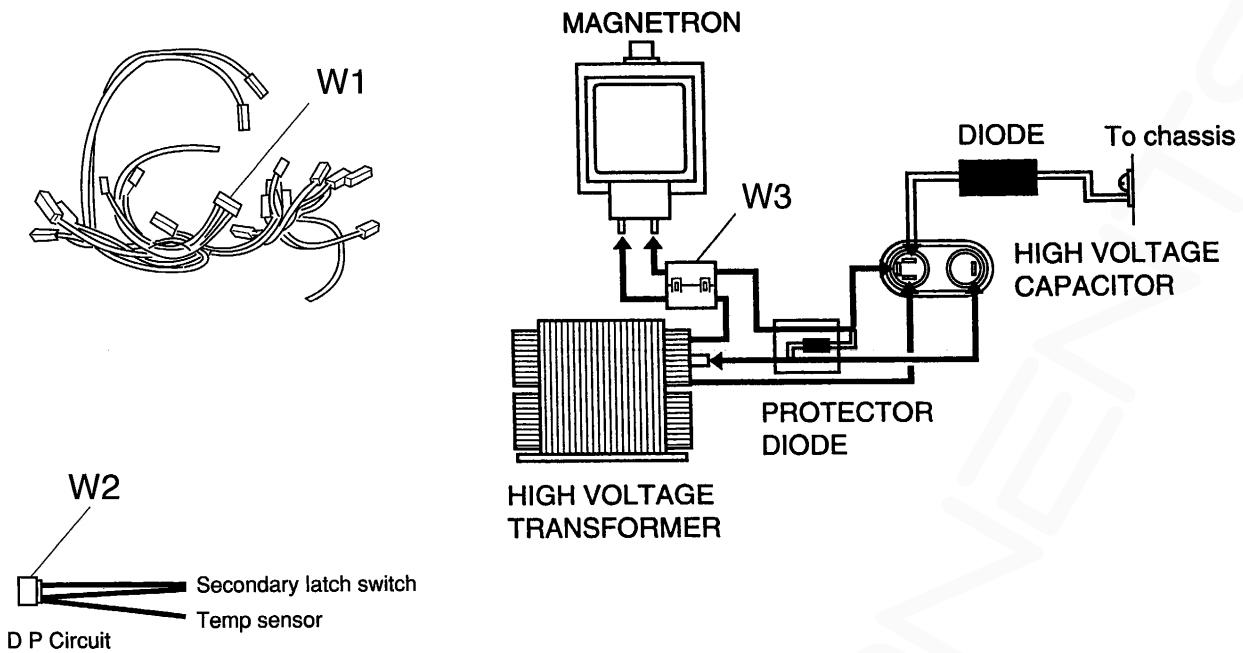
PACKING AND ACCESSORIES



(S-950 RPH)

Ref.No.	Part No.	Part Name & Description	Pcs/Set	Remarks
*P1	B00039500QP	INSTRUCTION MANUAL	1	NN-S537WAQPQ
*P1	B00037862QP	INSTRUCTION MANUAL	1	NN-S687WAQPQ/JPG/VPE & NN-T687SAQPQ/JPG
*P2	B01068340AP	P. E. BAG	1	NN-S537WAQPQ
*P2	B01068290AP	P. E. BAG	1	NN-S687WAQPQ/JPG/VPE & NN-T687SAQPQ/JPG
*P3	B01075640AP	DOOR SHEET	1	
*P4	B01837220AP	CORRUGATED FILLER / 1.0	2	NN-S537WAQPQ
*P4	B01837050AP	CORRUGATED FILLER / 1.2	2	NN-S687WAQPQ/JPG/VPE & NN-T687SAQPQ/JPG
*P5	B010A7730AP	PACKING CASE / PAPER / 1.0	1	NN-S537WAQPQ
*P5	B010A9390AP	PACKING CASE / PAPER / 1.2	1	NN-S687WAQPQ/JPG/VPE & NN-T687SAQPQ/JPG
*P6	B02218260AP	UPPER SUPPORT PACKING / 1.0	1	NN-S537WAQPQ
*P6	B02218310AP	UPPER SUPPORT PACKING / 1.2	1	NN-S687WAQPQ/JPG/VPE & NN-T687SAQPQ/JPG
*P7	B01487720RP	CORNER POST	4	NN-S687WAQPQ/JPG/VPE & NN-T687SAQPQ/JPG
*P8	A06015690QP	COOKING TRAY	1	NN-S537WAQPQ
*P8	A06014000AP	COOKING TRAY	1	NN-S687WAQPQ/JPG/VPE & NN-T687SAQPQ/JPG

WIRING MATERIALS



S-933QPQ

Ref.No.	Part No.	Part Name & Description	Pcs/Set	Remarks
*W1	B030A8280JP	LEAD WIRE HARNESS	1	
*W2	B03537050AP	LEAD WIRE	1	
*W3	A50966520UP	FERRITE COIL	1	

Ref.No.	Part No.	Part Name & Description	Pcs/Set	Remarks
REF. NO. 50 NOISE FILTER (U)				
L1	A621A7600CP	FILTER COIL	1	
F1	A62316010BP	FUSE HOLDER	2	
C2, 3	△ ECKDNS472MEX	CERAMIC CAPACITOR	2	0.0047MF, 250V, ±20%
C1	ECQU2A104MN	POLYESTER CAPACITOR	1	0.1MF, 250V, ±20%
R1	ERD25FJ564S	CARBON FILM RESISTOR	1	560K OHM, 1/4W, ±5%
ZNR2,3	ERZC10DK112W	VARISTOR	2	

PARTS LIST FOR MICROWAVE OVEN TRIM KIT FOR MODELS NN-T687SAQPQ/JPG

24in. TRIM KIT MODEL NO. NN-TK687SQPQ

Ref. No.	Part No.	Part Name & Description	Pcs/ Set
*1	B1603A570QP	TOP & BOTTOM GRILLE	2
*2	A1603A570QP	TOP & BOTTOM TRIM STRIP	2
*3	A1601A570QP	SIDE STRIP	2
*4	A445EA570QP	END CAP B ASSY.	2
*5	A445DA570QP	END CAP A ASSY.	2

A1603A570QP = A1615A570QR

NOTE: The top and bottom strips have the same part number and the left and right side strips also have the same part number. These parts will be supplied on one piece per one part number.