

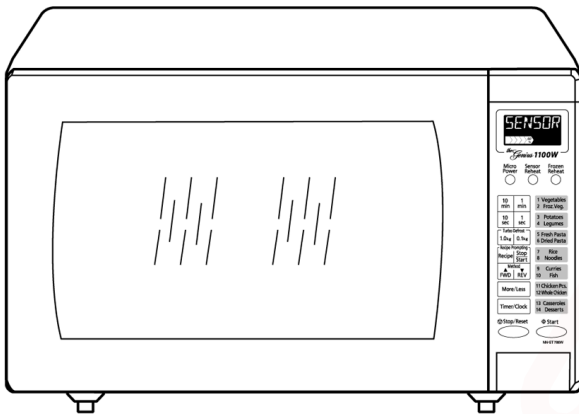
# Service Manual

## Microwave Oven

*Simplified*

**NN-SD786S**  
**NN-ST786W**  
**NN-ST756W**

QPQ(Australia & New Zealand)



Please file and use this manual together with the service manual for Model NN-S560WF (ORDER NO. SIMMC0006012C3)

### Specifications:

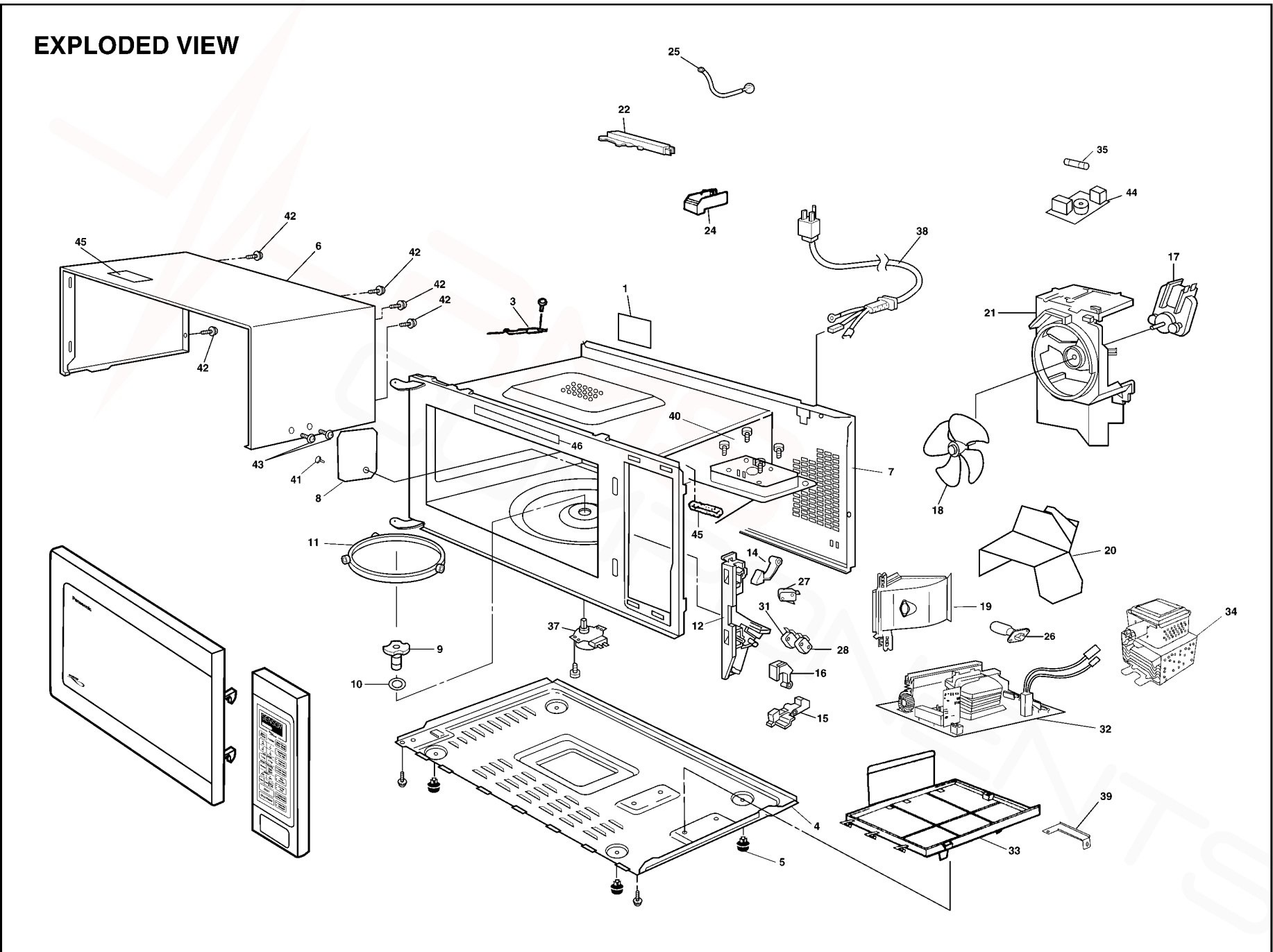
Specifications:	Models:	NN-SD786S	NN-ST786W	NN-ST756W
Power Source:	230V-240V AC Single Phase, 50Hz			
Power Requirement:	1150W		1150W	1150W
Output:	1100W		1100W	1100W
Microwave Frequency:	2450MHz			
Timer:	30 min. /Stage (HIGH Power) - 5 Stage Maximum 99 min. 99 sec. /Stage (Other Power Levels) - 5 Stage Maximum			
Outside Dimensions:	555mm(W) X 493mm(D) X 304mm(H)			
Oven Cavity Dimensions:	418mm(W) X 470mm(D) X 228mm(H)			
Weight:	14.3 kg			
PbF	This product with PbF			
Specifications subject to change without notice.				

**Panasonic®**

© 2006 Panasonic Home Appliances Microwave Oven (Shanghai) Co., Ltd. All rights reserved. Unauthorized copying and distribution is a violation of law.

# 4 EXPLODED VIEW AND PARTS LIST

## 4.1. EXPLODED VIEW



## 4.2. PARTS LIST

**NOTE:**

1. When ordering replacement part(s), please use part number(s) shown in this part list.

Do not use description of the part.

2. Important safety notice:

Components identified by mark have special characteristics important for safety.

When replacing any of these components, use only manufacture's specified parts.

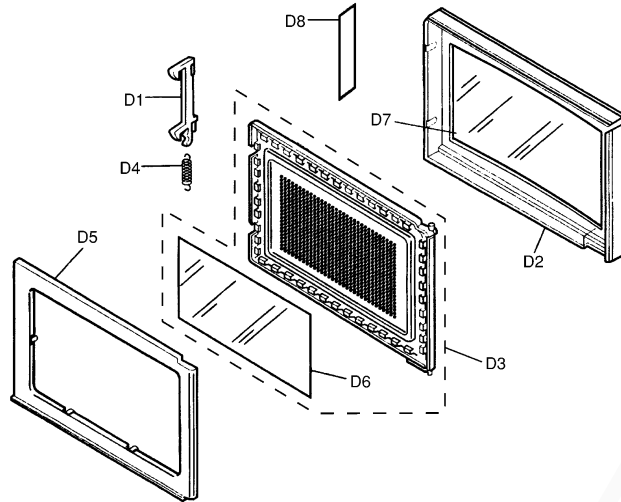
**NOTE:**

"A" parts are supplied by CSD (Japan)

"F" parts are supplied by PHAMOS (China)

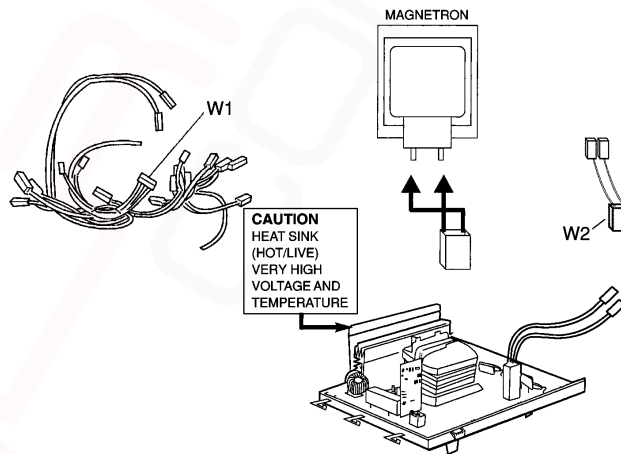
Ref. No.	Part No.	Part Name & Description	Pcs/Set	Remarks
1	F00066V00HP	CAUTION LABEL	1	
3	F03534W00QP	LEAD WIRE HARNESS	1	(INCLUDING THERMISTOR)
4	F10014W00APG	BASE	1	
5	F10084T00AP	RUBBER FOOT	4	
6	F110D6V00SQP	CABINET BODY (U)	1	SD786S
6	F110D4W00HQP	CABINET BODY (U)	1	ST786W, ST756W
7	△ F200A8E00AP	OVEN (U)	1	SD786S, ST786W
7	△ F200A8E40AP	OVEN (U)	1	ST756W
8	F20555K00AP	COVER	1	
9	F21315Y00AP	PULLY SHAFT	1	
10	F2177-F80	WASHER	1	
11	F290D9330AP	ROLLER RING (U)	1	
12	△ F3020-1200	DOOR HOOK	1	
14	F3136-1200	HOOK LEVER A	1	
15	F31374650AP	HOOK LEVER B	1	
16	F31384650AP	HOOK LEVER C	1	
17	F400A6V00QP	FAN MOTOR	1	AC240V, SINGLE PHASE, 50Hz
18	F40084T00AP	FAN BLADE	1	
19	F40254W00AP	AIR GUIDE A	1	
20	F40264W00AP	AIR GUIDE B	1	
21	F41444W00AP	ORIFICE	1	
22	F64508660AP	SENSOR COVER B	1	EXCEPT ST756W
24	F65434W00AP	SENSOR COVER C	1	EXCEPT ST756W
25	A607S4M00AP	STEAM SENSOR	1	EXCEPT ST756W
26	F612E4Y00XN	INCANDESCENT LAMP (U)	1	
27	△ J61415G10XN	MICRO SWITCH	1	(PRIMARY LATCH SWITCH) (V-15G-3C25)
28	△ J61414T00AP	MICRO SWITCH	1	(SECONDARY LATCH SWITCH) (D3V-16G-3C25)
31	△ F61785U30XN	MICRO SWITCH	1	(SHORT SWITCH) (D3V-1G-2C25)
32	△ F606Y4V00XN	H.V. INVERTER (U)	1	
33	F65854W00AP	INVERTER BRACKET A	1	
34	△ 2M261-M32J	MAGNETRON	1	
35	△ F62306V60BP	FUSE	1	10A/240V, 50Hz
37	F63265U30XN	TURNTABLE MOTOR	1	
38	△ F900C4W00QP	AC CORD W/PLUG	1	
39	F66624W00AP	GROUNDING PLATE	1	
40	XTWFA4+12T	SCREW	4	FOR MAGNETRON
41	F90804W00AP	CANOE CLIP	1	FOR COVER
42	XTWFA4+12D	SCREW	5	FOR CABINET BODY
43	XTTFA4+6BN	SCREW	2	FOR CABINET BODY SIDE
44	F692Y8A00QP	NOISE FILTER	1	
45	F02445Y00AP	CAUTION LABEL	1	SD786S
46	F03348E40QP	MENU LABEL	1	SD786S

### 4.3. DOOR ASSEMBLY



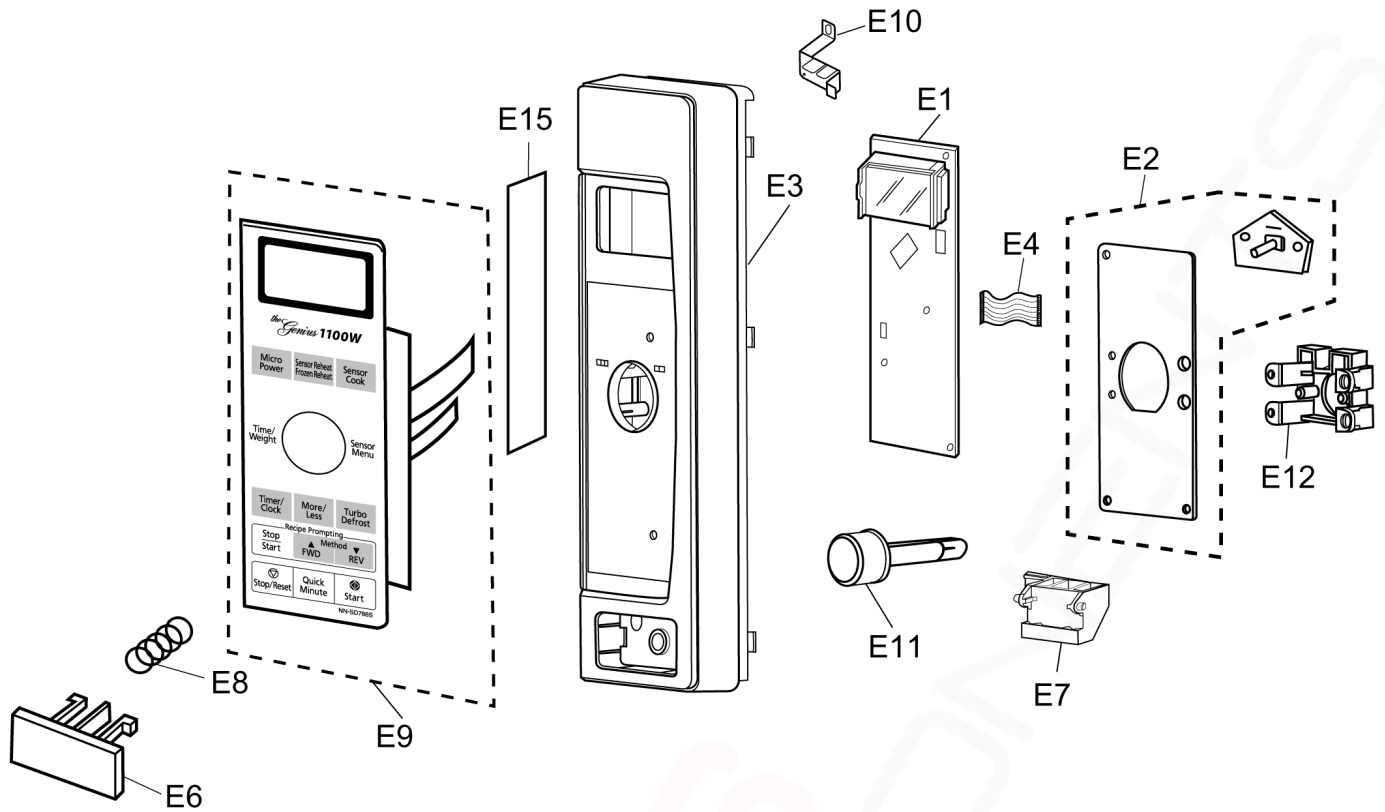
Ref. No.		Part No.	Part Name & Description	Pcs/Set	Remarks
D1		F3018-1200	DOOR KEY A	1	
D2	⚠	F301A8E40SQP	DOOR A (U)	1	SD786S
D2	⚠	F30016V20HQP	DOOR A	1	ST786W, ST756W
D3	⚠	F302K4W00AP	DOOR E (U)	1	
D4		F30215G10XN	DOOR KEY SPRING	1	
D5	⚠	F30854W00AP	DOOR C	1	
D6	⚠	F31456V00XP	DOOR SCREEN A	1	
D7		F31468E30BAP	DOOR SCREEN B	1	ST786W, ST756W
D8		F01726V00JP	CAUTION LABEL B	1	

### 4.4. WIRING MATERIALS



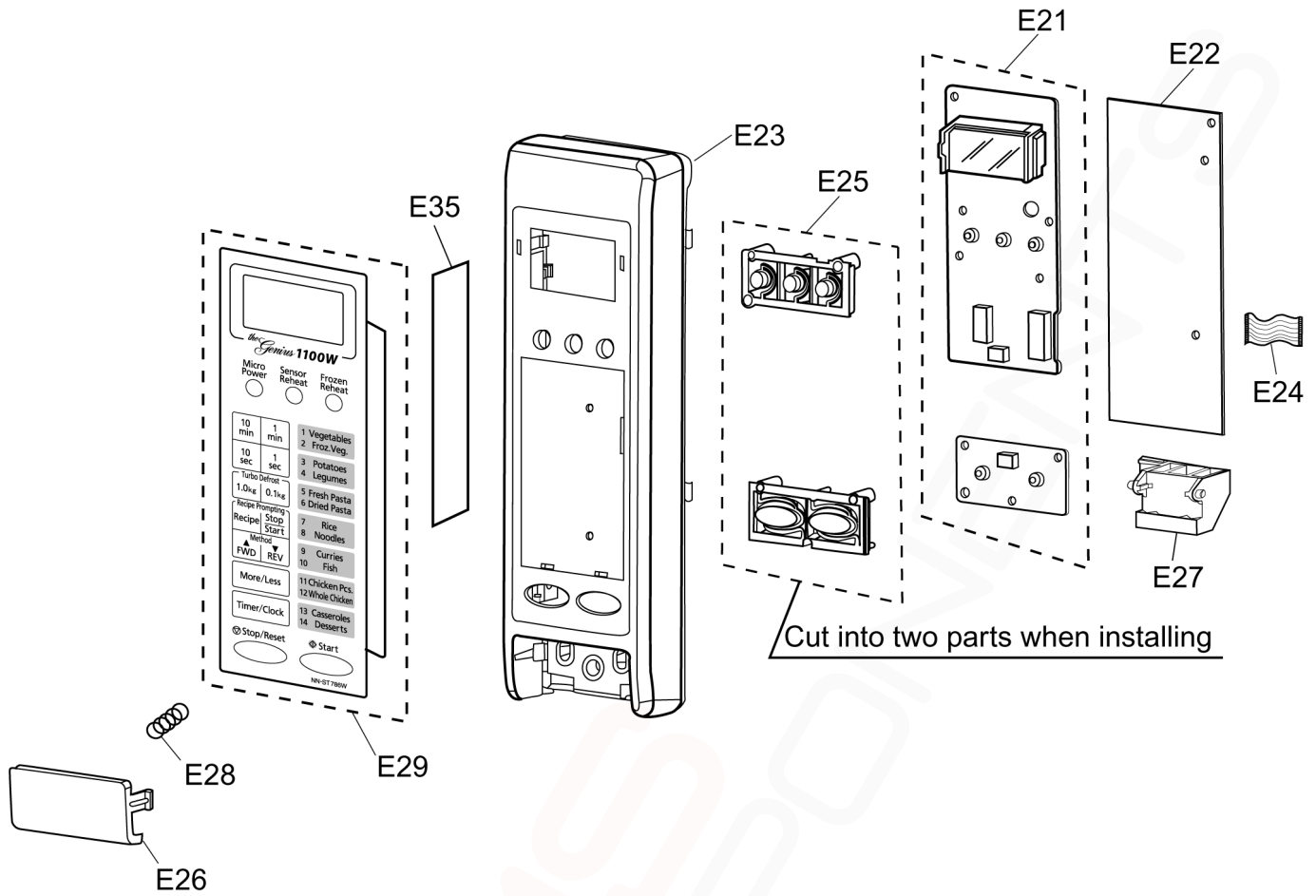
Ref. No.		Part No.	Part Name & Description	Pcs/Set	Remarks
W1		F030A5T50QP	LEAD WIRE HARNESS	1	
W2		F030E6V00QP	H.V. LEAD WIRE	1	

### 4.5. NN-SD786S



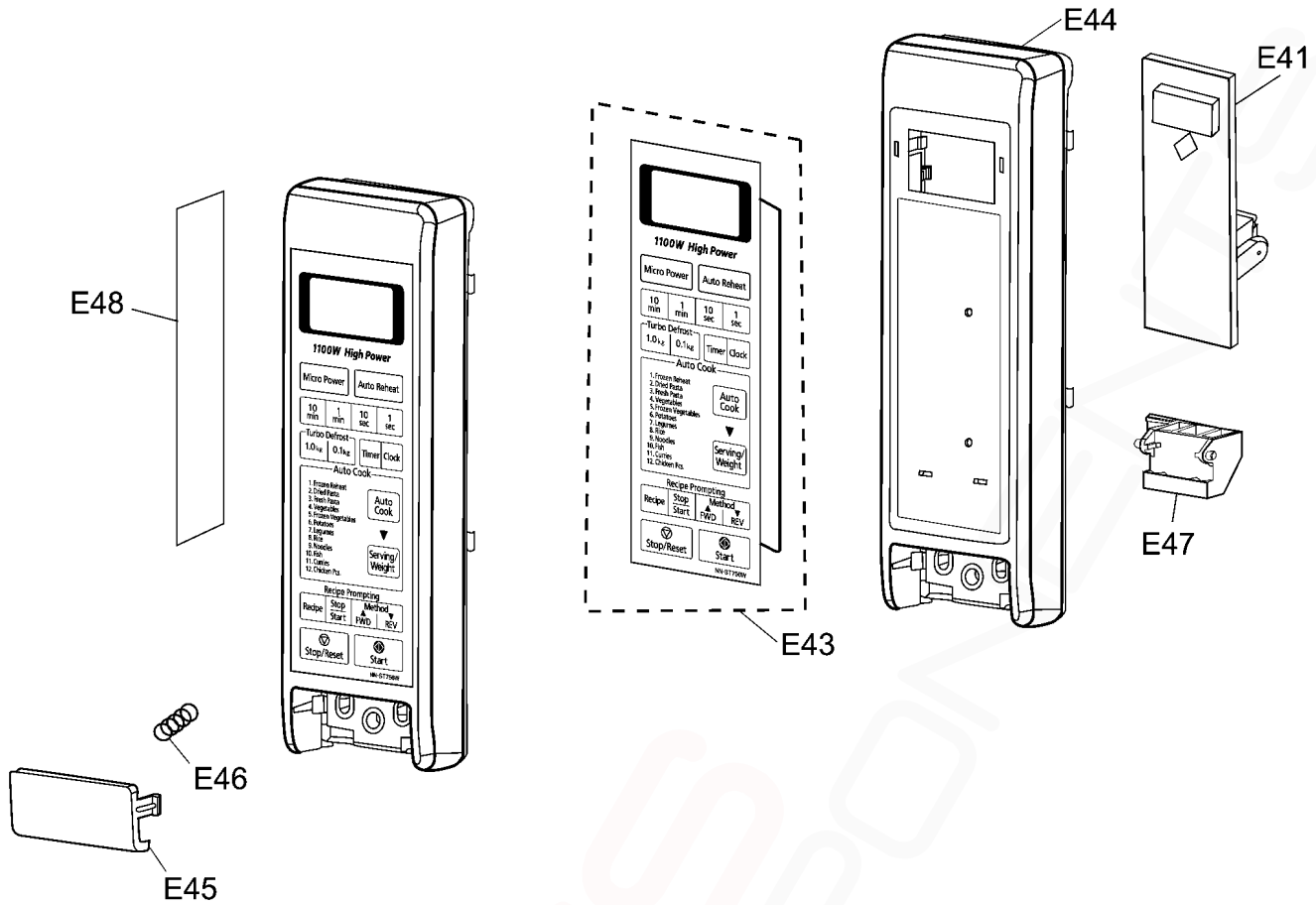
Ref. No.	Part No.	Part Name & Description	Pcs/Set	Remarks
E1	F603L8E40QP	D.P.CIRCUIT (AU)	1	SD786S
E2	F603Y8E40QP	D.P.CIRCUIT (DU)	1	SD786S
E3	F800L8E40SQP	ESCUTCHEON BASE (U)	1	SD786S
E4	F66167D00AP	FLAT CABLE	1	SD786S
E6	F80724W70SAP	DOOR OPENING BUTTON	1	SD786S
E7	F82565X00AP	DOOR OPENING LEVER	1	SD786S
E8	F80375K00AP	COOK BUTTON SPRING	1	
E9	F630Y8E40SQP	MEMBRANE SWITCH (U)	1	SD786S
E10	F90095X00AP	GROUNDING PANEL	1	SD786S
E11	F803G7D00BAP	POP-UP DIAL (U)	1	SD786S
E12	F80187D00BAP	BACKSTOP	1	SD786S
E15	F00078E40SQP	NAME PLATE	1	SD786S

### 4.6. NN-ST786W



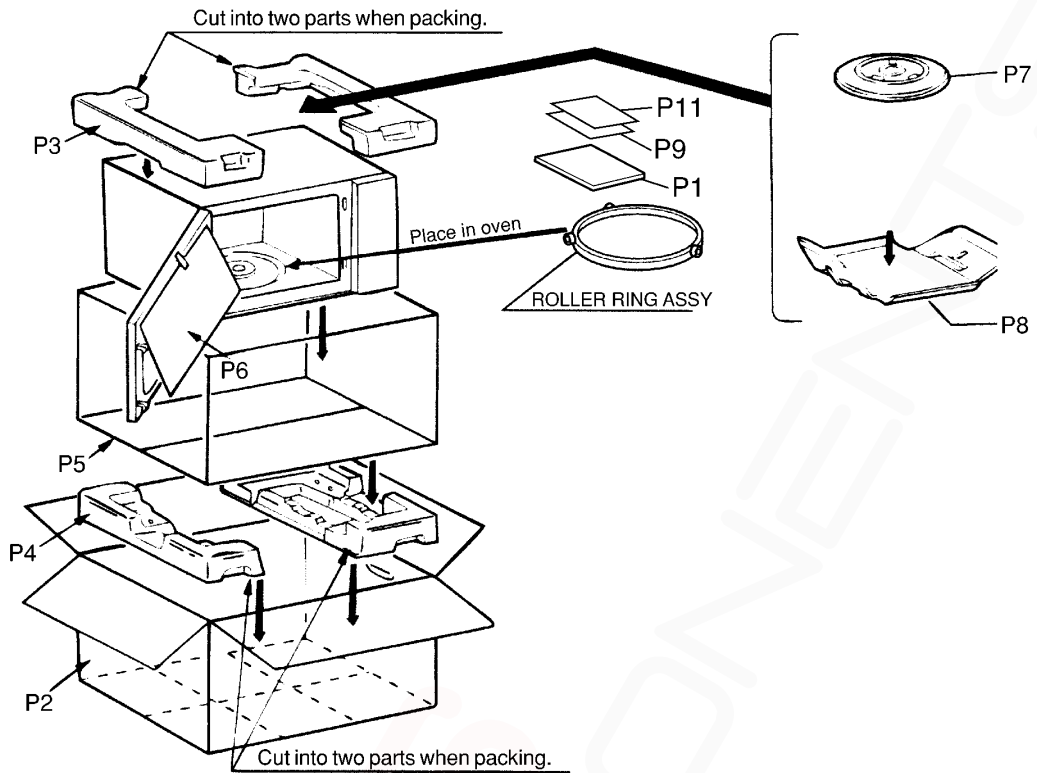
Ref. No.	Part No.	Part Name & Description	Pcs/Set	Remarks
E21	F603L8E50QP	D.P.CIRCUIT (AU)	1	ST786W
E22	F603Y6V00QP	D.P.CIRCUIT (DU)	1	ST786W
E23	F80348E50HQP	ESCUTCHEON BASE	1	ST786W
E24	F66164W20AP	FLAT CABLE	1	ST786W
E25	F82987D60KAP	BUTTON	1	ST786W
E26	F80727C50HAP	DOOR OPENING BUTTON	1	ST786W
E27	F82565X00AP	DOOR OPENING LEVER	1	ST786W
E28	F80375K00AP	COOK BUTON SPRING	1	
E29	F630Y8E50HQP	MEMBRANE SWITCH (U)	1	ST786W
E35	F00078E50HQP	NAME PLATE	1	ST786W

### 4.7. NN-ST756W



Ref. No.	Part No.	Part Name & Description	Pcs/Set	Remarks
E41	F603L6V30QP	D.P.CIRCUIT (AU)	1	ST756W
E43	F630Y8E60HQP	MEMBRANE SWITCH (U)	1	ST756W
E44	F80348E60HQP	ESCUTCHEON BASE	1	ST756W
E45	F80726J00HAP	DOOR OPENING BUTTON	1	ST756W
E46	F80375K00AP	COOK BUTTON SPRING	1	
E47	F82564W00AP	DOOR OPENING LEVEL	1	ST756W
E48	F00078E60HQP	NAME PLATE	1	ST756W

### 4.8. PACKING AND ACCESSORIES



Ref. No.	Part No.	Part Name & Description	Pcs/Set	Remarks
P1	F00038E40QP	INSTRUCTION MANUAL	1	SD786S
P1	F00038E50QP	INSTRUCTION MANUAL	1	ST786W, ST756W
P2	F01028E40SQP	PACKING CASE, PAPER	1	SD786S
P2	F01028E50HQP	PACKING CASE, PAPER	1	ST786W
P2	F01028E60HQP	PACKING CASE, PAPER	1	ST756W
P3	F01044W00AP	UPPER FILLER	1	
P4	F01054W00AP	LOWER FILLER	1	
P5	F01067C50AP	P. E. BAG	1	SD786S
P5	F01064W00AP	P. E. BAG	1	ST786W, ST756W
P6	F01074W00AP	DOOR SHEET	1	
P7	F06014W00AP	COOKING TRAY	1	
P8	F01084W00AP	TRAY PACKING	1	
P9	F00065G40AP	CAUTION LABEL	1	
P11	F00166V20QP	NOTICE	1	SD786S

### 4.9. H.V. INVERTER BOARD MAIN PARTS LIST (F606Y4V00XN)

Ref. No.	Part No.	Part Name & Description	Pcs/Set	Remarks
Q701		TRANSISTOR SI	1	
Q702	A691E4V10GP	TRANSISTOR SI	1	
DB701	AESTRS2006M	DIODE SI	1	20A, 600V
D701, D702	A62024V00GP	DIODE SI	2	0.3A
C704, C705	ECWH30822JUA	CAPACITOR	2	8200PF 3000VDC
T701	F609A4V00XN	H. V. TRANSFORMER	1	
	F607D4V00XN	D. P. CIRCUIT (KU)	1	
L701	F50204V00XN	CHOKE COIL	1	
CT701	F66904V00XN	CURRENT TRANSFORMER	1	