

Service Manual

Microwave Oven

Model No. NN-ST34HMYTE
Model No. NN-ST34HMYPQ
Model No. NN-ST34HMRPH
Model No. NN-ST34HWQPQ



23L

Silver / White

Singapore (Re-Export)

Singapore, Panama, Australia

⚠ WARNING

This service information is designed for experienced repair technicians only and is not designed for use by the general public. It does not contain warnings or cautions to advise non-technical individuals of potential dangers in attempting to service a product. Products powered by electricity should be serviced or repaired only by experienced professional technicians. Any attempt to service or repair the product or products dealt with in this service information by anyone else could result in serious injury or death.

IMPORTANT SAFETY NOTICE

There are special components used in this equipment which are important for safety. These parts are marked by **⚠** in the Schematic Diagrams, Circuit Board Diagrams, Exploded Views and Replacement Parts List. It is essential that these critical parts should be replaced with manufacturer's specified parts to prevent shock, fire or other hazards. Do not modify the original design without permission of manufacturer.

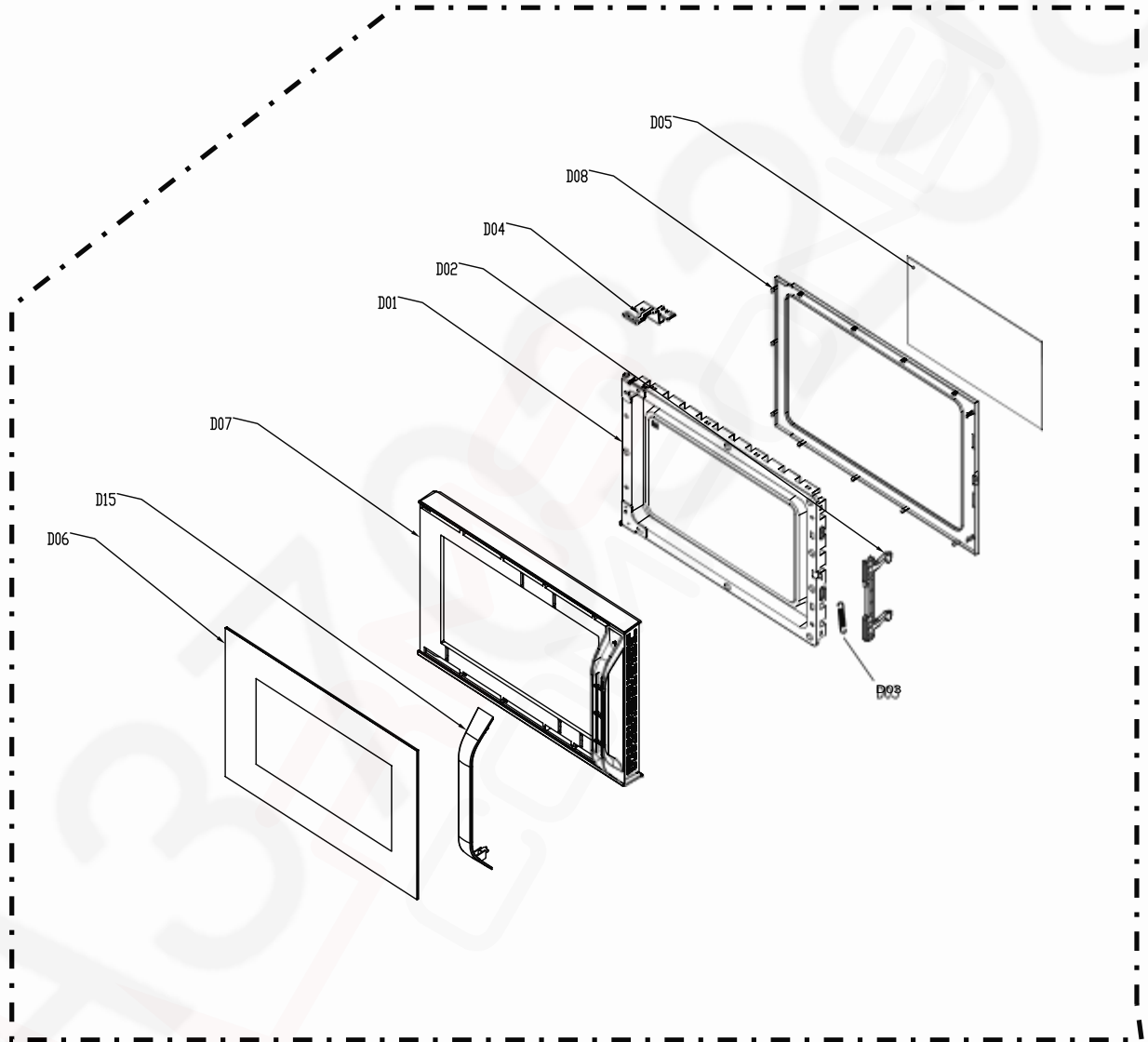
Specifications

	NN-ST34HMYTE	NN-ST34HMRPH	NN-ST34HMYPQ / ST34HWQPQ
Power Requiremen	220 Volts AC 50 Hz 1270 Watts (5.9 A) Single phase, 3 wire grounded	120 Volts AC 60 Hz 1,270 Watts (10.4 A) Single phase, 3 wire grounde	240 Volts AC 50Hz 1270 Watts (5.5 A) Single phase, 3 wire grounded
Power Output	800 Watts full microwave power (IEC60705)		
Microwave Frequenc	2,450 MHz		
Magnetron	2M219J		
Timer	0 ~ 99 min. 90 sec		
Outside Dimension	485 (W) x 287 (H) x 400 (D) m		
Cavity Dimension	315(W) x 227(H) x 349 (D) mm		
Net Weight	12.7kg (approx.)		
Shipping weight	14.7 kg (approx.)		
Specifications subject to change without notice.			

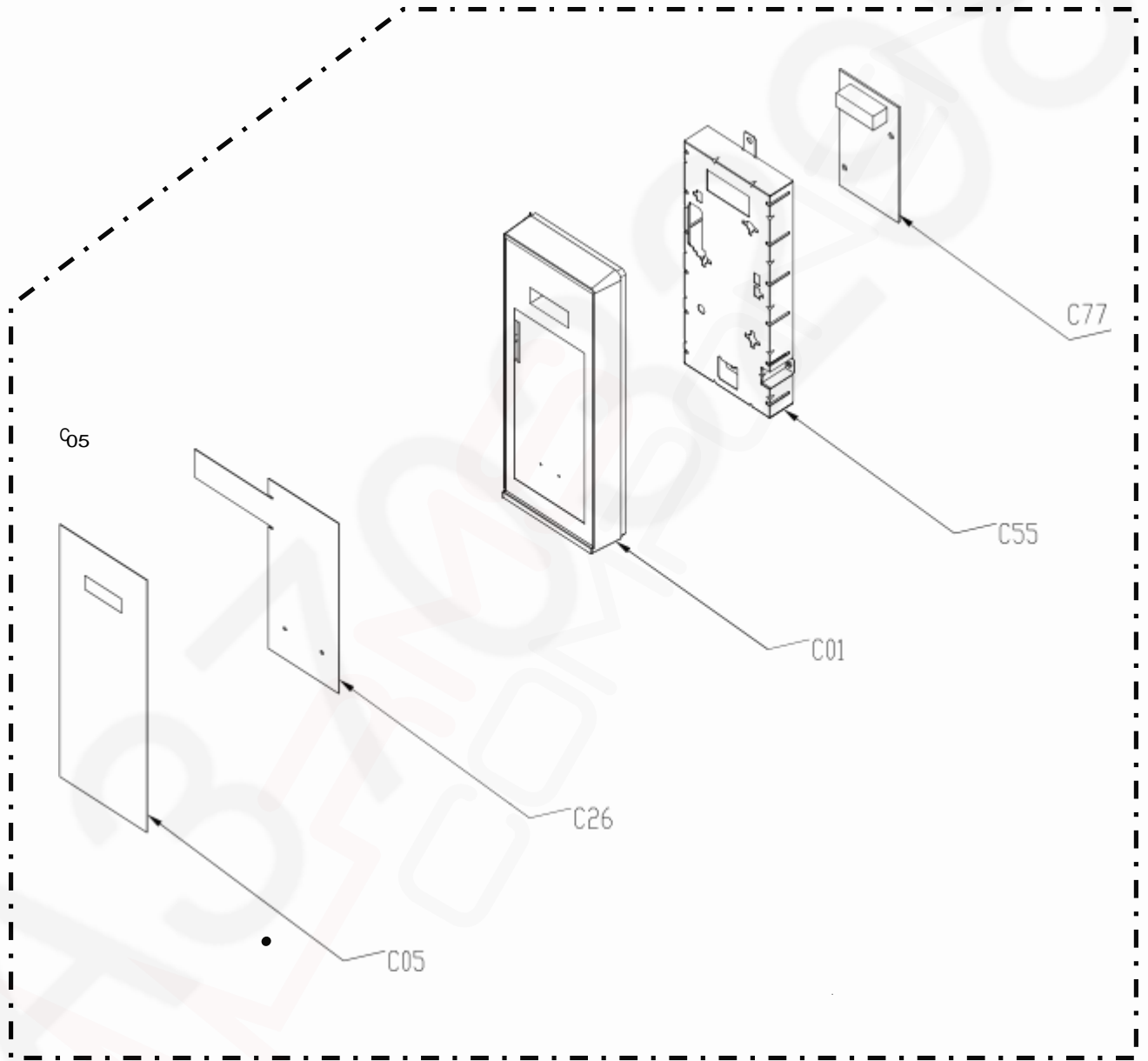
Panasonic®

© Panasonic Corporation 2017 Unauthorized copying and distribution is a violation of law

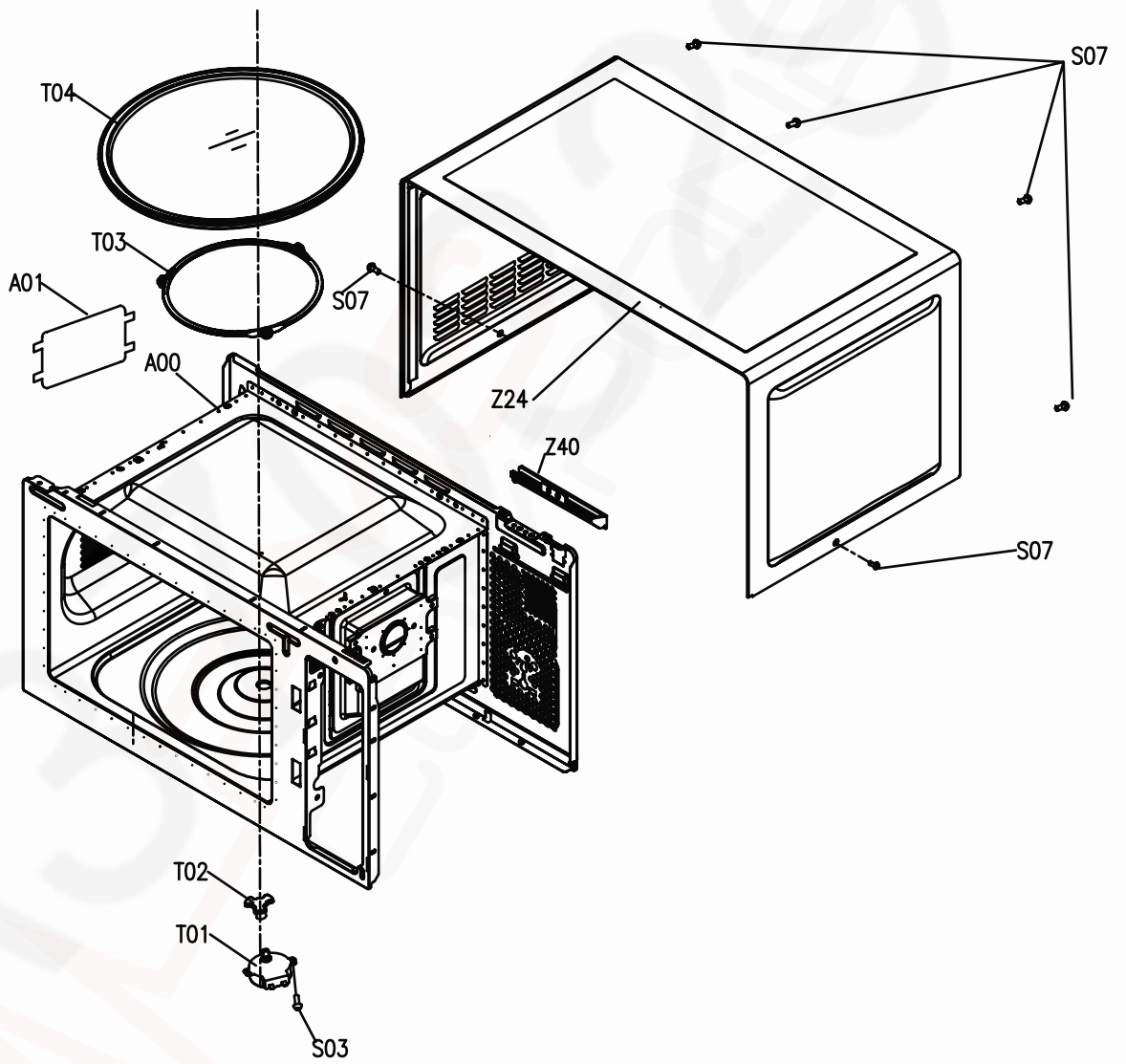
DOOR PARTS



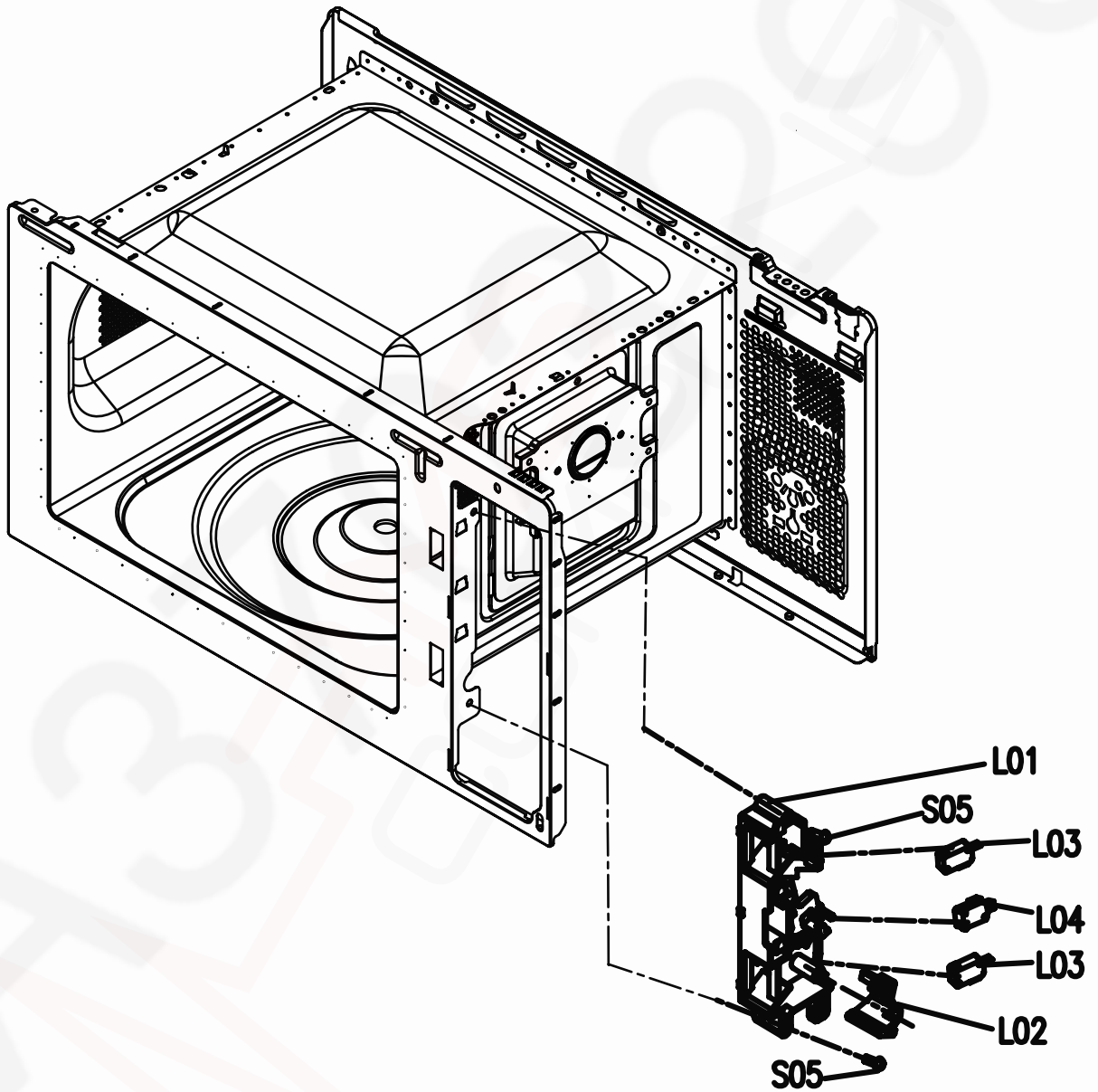
CONTROL PANEL PARTS



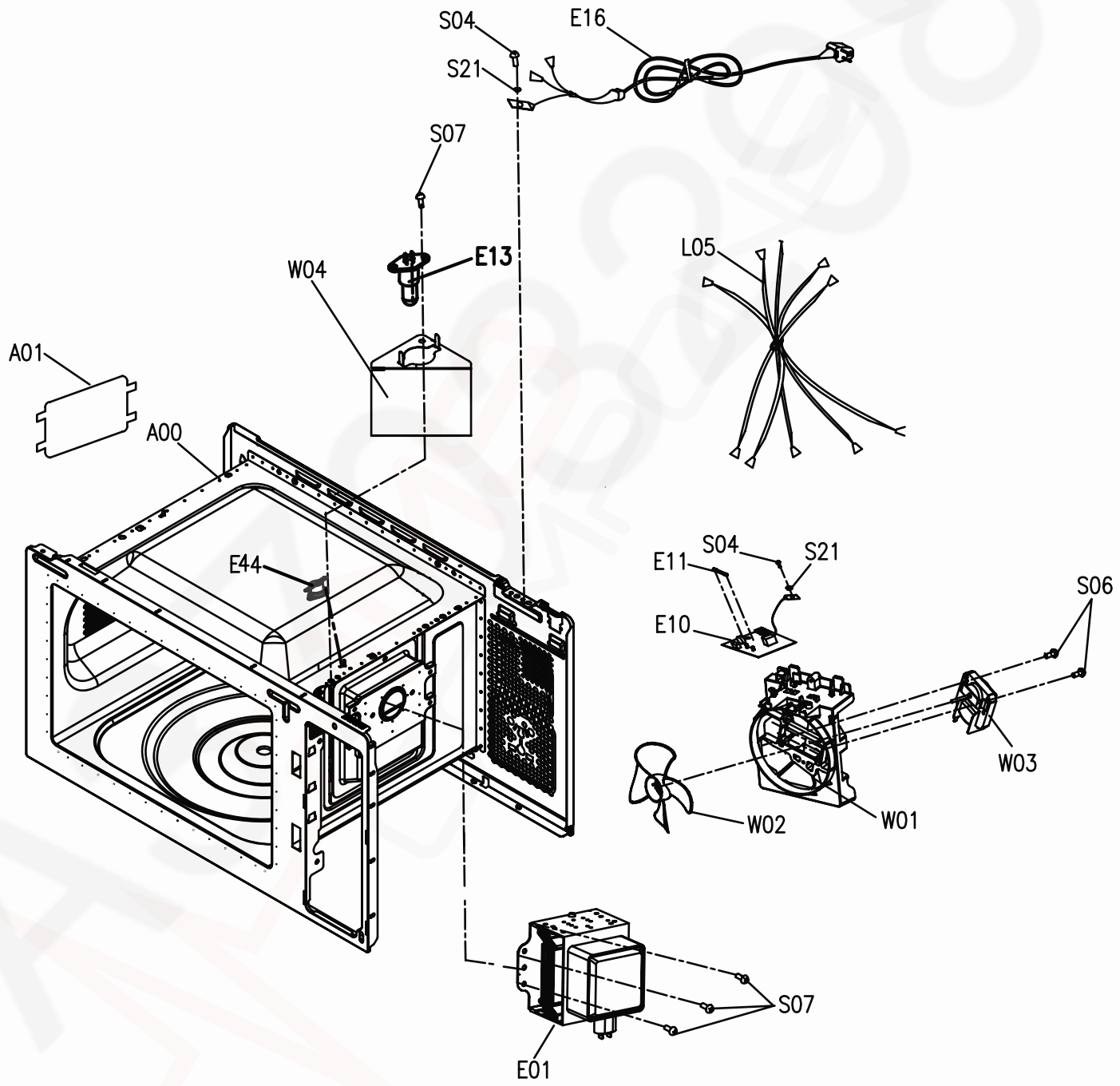
OVEN CAVITY PARTS



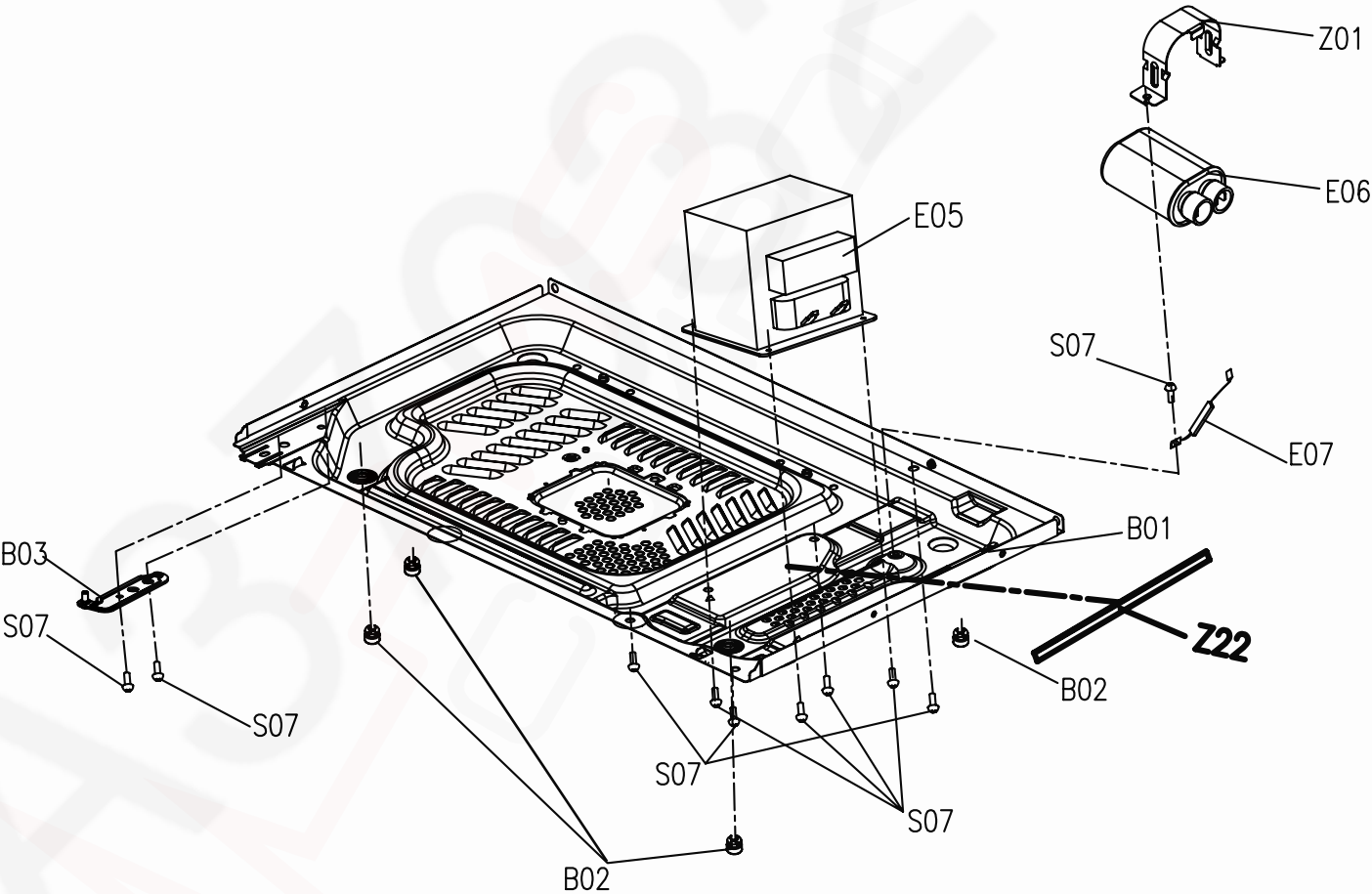
LATCH BOARD PARTS



INTERIOR PARTS



BASE PLATE PARTS



REPLACEMENT PARTS LIST

NOTE:

- When ordering replacement part(s), please use part number(s) shown in this part list.
Do not use description of the part.
- Important safety notice:
Components identified by Δ mark have special characteristics important for safety.
When replacing any of these components, use only manufacturer's specified parts.

For Model: NN-ST34HMYTE

Safety	Ref. No.	Part No.	Part Name & Description	Pcs/Set	Remarks
	A00	A200A46D0MP	OVEN CAVITY	1	
	A01	A205541V0ZP	CEILING COVER	1	
	B01	A100146B0MP	BASE	1	
	B02	A100841V0ZP	RUBBER FOOT	4	
	B03	A300741V0ZP	LOWER HINGE	1	
	C01	A803446B0MMP	ESCUTCHEON BASE	1	
	C05+C26	A630Y46D0MMP	MEMBRANE SWITCH(U)	1	
	C55	A812741V0ZP	ESCUT.BACK PLATE	1	
Δ	C77	A603L46D0MP	PC BOARD(U)	1	MY-8741
Δ	D01+D05	A302K41V0ZP	DOOR E UNIT	1	
	D02	A301841V0ZP	DOOR KEY A	1	
	D03	A323041V0ZP	DOOR KEY SPRING	1	
	D04	A317641V0ZP	TOP DOOR HINGE	1	
	D05	A314541V0ZP	DOOR SCREEN A	1	
Δ	D06+D07+D15	A302A46B0MMP	Door AU(Door A + Screen B) : Silver	1	ScreenB : Black
Δ	D08	A308541V0ZP	DOOR C	1	
Δ	E01	2M219J	MAGNETRON	1	
Δ	E05	A600B41V0ZP	H.V.TRANSFORMER	1	
Δ	E06	A609040N0BP	H.V. CAPACITOR	1	
Δ	E07	A620241V0ZP	DIODE, SI	1	
Δ	E10	A692Y41V1ZP	NOISE FILTER	1	
Δ	E11	A623040N0BP	FUSE	1	
	E13	A612E7W50BP	LAMP UNIT	1	
Δ	E16	A900C41U0YP	AC CORD W/PLUG	1	
Δ	E44	A614541T0ZP	THERMAL CUTOFF(OVEN)	1	120°C/0°C
Δ	L01	A302041V0ZP	DOOR HOOK A	1	
	L02	A313641V0ZP	HOOK SPACER	1	
Δ	L03	A614141V0ZP	MICROSWITCH	2	
Δ	L04	A614241V0ZP	MICROSWITCH(MONITOR SWITCH)	1	
Δ	L05	A030A41T0ZP	LEAD WIRE HARNESS	1	
	T01	A632641V0ZP	TURNTABLE MOTOR	1	
	T02	A213140N0BP	PULLY SHAFT	1	
	T03	A290D41V0ZP	ROLLER RING(U)	1	
	T04	A060141V0ZP	COOKING TRAY	1	
	W01	A414441V0ZP	ORIFICE	1	
	W02	A400841V0ZP	FAN BLADE	1	
	W03	A400A41V0ZP	FAN MOTOR	1	
	W04	A402541V0ZP	AIR GUIDE A	1	
	Z01	A618841V0ZP	BRACKET, H.V CAPACITOR	1	
	Z22	A09047W50BP	CUSHION RUBBER	1	Baseplate
	Z24	A110D46B0MMP	CABINET BODY(U)	1	
	Z40	A488540N0BP	BRACKET, WATER SEALING	1	
		A010441V0ZP	UPPER FILLER	1	
		A010541V0ZP	LOWER FILLER	1	
		A010641V0ZP	VINYL BAG	1	
		A010246D0MMP	CARTON BOX	1	
		A000346D0MP	OPERATING INSTRUCTION	1	
		A000641T0MP	WARNING LABEL	1	
		A033446D0MP	MENU LABEL	1	Attached on the Oven Cavity

For Model: NN-ST34HMYPQ

Safety	Ref. No.	Part No.	Part Name & Description	Pcs/Set	Remarks
	A00	A200A46D0MP	OVEN CAVITY	1	
	A01	A205541V0ZP	CEILING COVER	1	
	B01	A100146B0MP	BASE	1	
	B02	A100841V0ZP	RUBBER FOOT	4	
	B03	A300741V0ZP	LOWER HINGE	1	
	C01	A803446B0MMP	ESCUTCHEON BASE	1	
	C05+C26	A630Y46D0MMP	MEMBRANE SWITCH(U)	1	
	C55	A812741V0ZP	ESCUT.BACK PLATE	1	
△	C77	A603L46D0MP	PC BOARD(U)	1	MY-8741
△	D01+D05	A302K41V0ZP	DOOR E UNIT	1	
	D02	A301841V0ZP	DOOR KEY A	1	
	D03	A323041V0ZP	DOOR KEY SPRING	1	
	D04	A317641V0ZP	TOP DOOR HINGE	1	
	D05	A314541V0ZP	DOOR SCREEN A	1	
△	D06+D07+D15	A302A46B0MMP	Door AU(Door A + Screen B) : Silver	1	ScreenB : Black
△	D08	A308541V0ZP	DOOR C	1	
△	E01	2M219J	MAGNETRON	1	
△	E05	A600B41U0KP	H.V.TRANSFORMER	1	
△	E06	A618841V0ZP	H.V. CAPACITOR	1	
△	E07	A620241V0ZP	DIODE, SI	1	
△	E10	A692Y41V1ZP	NOISE FILTER	1	
△	E11	A623040N0BP	FUSE	1	
	E13	A612E7W50BP	LAMP UNIT	1	
△	E16	A900C41U0YP	AC CORD W/PLUG	1	
△	E44	A614541T0ZP	THERMAL CUTOUT(OVEN)	1	120°C/0°C
△	L01	A302041V0ZP	DOOR HOOK A	1	
	L02	A313641V0ZP	HOOK SPACER	1	
△	L03	A614141V0ZP	MICROSWITCH	2	
△	L04	A614241V0ZP	MICROSWITCH(MONITOR SWITCH)	1	
△	L05	A030A41T0ZP	LEAD WIRE HARNESS	1	
	T01	A632641V0ZP	TURNTABLE MOTOR	1	
	T02	A213140N0BP	PULLY SHAFT	1	
	T03	A290D41V0ZP	ROLLER RING(U)	1	
	T04	A060141V0ZP	COOKING TRAY	1	
	W01	A414441V0ZP	ORIFICE	1	
	W02	A400841V0ZP	FAN BLADE	1	
	W03	A400A41V0ZP	FAN MOTOR	1	
	W04	A402541V0ZP	AIR GUIDE A	1	
	Z01	A618841V0ZP	BRACKET, H.V CAPACITOR	1	
	Z22	A09047W50BP	CUSHION RUBBER	1	Baseplate
	Z24	A110D46B0MMP	CABINET BODY(U)	1	
	Z40	A488540N0BP	BRACKET, WATER SEALING	1	
		A010441V0ZP	UPPER FILLER	1	
		A010541V0ZP	LOWER FILLER	1	
		A010641V0ZP	VINYL BAG	1	
		A010246D0MMP	CARTON BOX	1	
		A000346D0MP	OPERATING INSTRUCTION	1	
		A000641T0MP	WARNING LABEL	1	
		A033446B0MP	MENU LABEL	1	Attached on the Oven Cavity

For Model: NN-ST34HMRPH

Safety	Ref. No.	Part No.	Part Name & Description	Pcs/Set	Remarks
	A00	A200A46D0RP	OVEN CAVITY	1	Color : White
	A01	A205541V0ZP	CEILING COVER	1	
	B01	A100146B0MP	BASE	1	
	B02	A100841V0ZP	RUBBER FOOT	4	
	B03	A300741V0ZP	LOWER HINGE	1	
	C01	A803446B0MMP	ESCUTCHEON BASE	1	
	C05+C26	A630Y46D0MRP	MEMBRANE SWITCH(U)	1	
	C55	A812741V0ZP	ESCUT.BACK PLATE	1	
△	C77	A603L46D0RP	PC BOARD(U)	1	MR-8764
△	D01+D05	A302K41V0ZP	DOOR E UNIT	1	
	D02	A301841V0ZP	DOOR KEY A	1	
	D03	A323041V0ZP	DOOR KEY SPRING	1	
	D04	A317641V0ZP	TOP DOOR HINGE	1	
	D05	A31457W50BP	DOOR SCREEN A	1	
△	D06+D07+D15	A302A46B0MMP	Door AU(Door A + Screen B) : Silver	1	ScreenB : Black
△	D08	A308541V0ZP	DOOR C	1	
△	E01	2M219J	MAGNETRON	1	
△	E05	A600B41T0RP	H.V.TRANSFORMER	1	
△	E06	A609041T0RP	H.V. CAPACITOR	1	
△	E07	A620241V0ZP	DIODE, SI	1	
△	E10	A692Y41T1RT	NOISE FILTER	1	
△	E11	A623041T0RP	FUSE	1	
	E13	A612E41T0RP	LAMP UNIT	1	
△	E16	A900C41T0RP	AC CORD W/PLUG	1	
△	E44	A614541T0ZP	THERMAL CUTOOUT(OVEN)	1	120°C/0°C
△	L01	A302041V0ZP	DOOR HOOK A	1	
	L02	A313641V0ZP	HOOK SPACER	1	
△	L03	A614141V0ZP	MICROSWITCH	2	
△	L04	A614241V0ZP	MICROSWITCH(MONITOR SWITCH)	1	
△	L05	A030A41T0ZP	LEAD WIRE HARNESS	1	
	T01	A632641T0RP	TURNTABLE MOTOR	1	
	T02	A213140N0BP	PULLY SHAFT	1	
	T03	A290D41V0ZP	ROLLER RING(U)	1	
	T04	A060141V0ZP	COOKING TRAY	1	
	W01	A414441V0ZP	ORIFICE	1	
	W02	A400841V0ZP	FAN BLADE	1	
	W03	A400A41T0RP	FAN MOTOR	1	
	W04	A402541V0ZP	AIR GUIDE A	1	
	Z01	A618841V0ZP	BRACKET, H.V CAPACITOR	1	
	Z22	A09047W50BP	CUSHION RUBBER	1	Baseplate
	Z24	A110D46B0MMP	CABINET BODY(U)	1	
	Z40	A488540N0BP	BRACKET, WATER SEALING	1	
		A010441V0ZP	UPPER FILLER	1	
		A010541V0ZP	LOWER FILLER	1	
		A010641V0ZP	VINYL BAG	1	
		A010246D0MRP	CARTON BOX	1	
		A000346D0RP	OPERATING INSTRUCTION	1	
		A000641T0MP	WARNING LABEL	1	
		A033446D0RP	MENU LABEL	1	Attached on the Oven Cavity

For Model: NN-ST34HMQPQ

Safety	Ref. No.	Part No.	Part Name & Description	Pcs/Set	Remarks
	A00	A200A46D0MP	OVEN CAVITY	1	
	A01	A205541V0ZP	CEILING COVER	1	
	B01	A100146B0MP	BASE	1	
	B02	A100841V0ZP	RUBBER FOOT	4	
	B03	A300741V0ZP	LOWER HINGE	1	
	C01	A803446D0WQP	ESCUTCHEON BASE	1	
	C05+C26	A630Y46D0WQP	MEMBRANE SWITCH(U)	1	
	C55	A812741V0ZP	ESCUT.BACK PLATE	1	
△	C77	A603L46D0QP	PC BOARD(U)	1	AU-8761
△	D01+D05	A302K41V0ZP	DOOR E UNIT	1	
	D02	A301841V0ZP	DOOR KEY A	1	
	D03	A323041V0ZP	DOOR KEY SPRING	1	
	D04	A317641V0ZP	TOP DOOR HINGE	1	
	D05	A314541V0ZP	DOOR SCREEN A	1	
△	D06+D07+D15	A302A46D0WQP	Door AU(Door A + Screen B)/White	1	ScreenB/white
△	D08	A308541V0ZP	DOOR C	1	
△	E01	2M219J	MAGNETRON	1	
△	E05	A600B41U0KP	H.V.TRANSFORMER	1	
△	E06	A609041T0KP	H.V. CAPACITOR	1	
△	E07	A620241V0ZP	DIODE, SI	1	
△	E10	A692Y41V1ZP	NOISE FILTER	1	
△	E11	A623040N0BP	FUSE	1	
	E13	A612E7W50BP	LAMP UNIT	1	
△	E16	A900C41T0QP	AC CORD W/PLUG	1	
△	E44	A614541T0ZP	THERMAL CUTOFF(OVEN)	1	120°C/0°C
△	L01	A302041V0ZP	DOOR HOOK A	1	
	L02	A313641V0ZP	HOOK SPACER	1	
△	L03	A614141V0ZP	MICROSWITCH	2	
△	L04	A614241V0ZP	MICROSWITCH(MONITOR SWITCH)	1	
△	L05	A030A41T0ZP	LEAD WIRE HARNESS	1	
	T01	A632641V0ZP	TURNTABLE MOTOR	1	
	T02	A213140N0BP	PULLY SHAFT	1	
	T03	A290D41V0ZP	ROLLER RING(U)	1	
	T04	A060141V0ZP	COOKING TRAY	1	
	W01	A414441V0ZP	ORIFICE	1	
	W02	A400841V0ZP	FAN BLADE	1	
	W03	A400A41V0ZP	FAN MOTOR	1	
	W04	A402541V0ZP	AIR GUIDE A	1	
	Z01	A618841V0ZP	BRACKET, H.V CAPACITOR	1	
	Z24	A110D46D0WQP	CABINET BODY(U)	1	
	Z40	J488540N0BP	BRACKET, WATER SEALING	1	
		J010441V0ZP	UPPER FILLER	1	
		J010541V0ZP	LOWER FILLER	1	
		A010641V0ZP	VINYL BAG	1	
		A010246D0WQP	CARTON BOX	1	
		A000346D0QP	OPERATING INSTRUCTION	1	
		J000641T0LP	WARNING LABEL	1	
		A033446D0QP	MENU LABEL	1	Attached on the Oven Cavity