

Service Manual

Microwave Oven

Model No. NN-ST342W

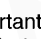


25L
White
Oceania

WARNING

This service information is designed for experienced repair technicians only and is not designed for use by the general public. It does not contain warnings or cautions to advise non-technical individuals of potential dangers in attempting to service a product. Products powered by electricity should be serviced or repaired only by experienced professional technicians. Any attempt to service or repair the product or products dealt with in this service information by anyone else could result in serious injury or death.

IMPORTANT SAFETY NOTICE

There are special components used in this equipment which are important for safety. These parts are marked by  in the Schematic Diagrams, Circuit Board Diagrams, Exploded Views and Replacement Parts List. It is essential that these critical parts should be replaced with manufacturer's specified parts to prevent shock, fire or other hazards. Do not modify the original design without permission of manufacturer.

Specifications

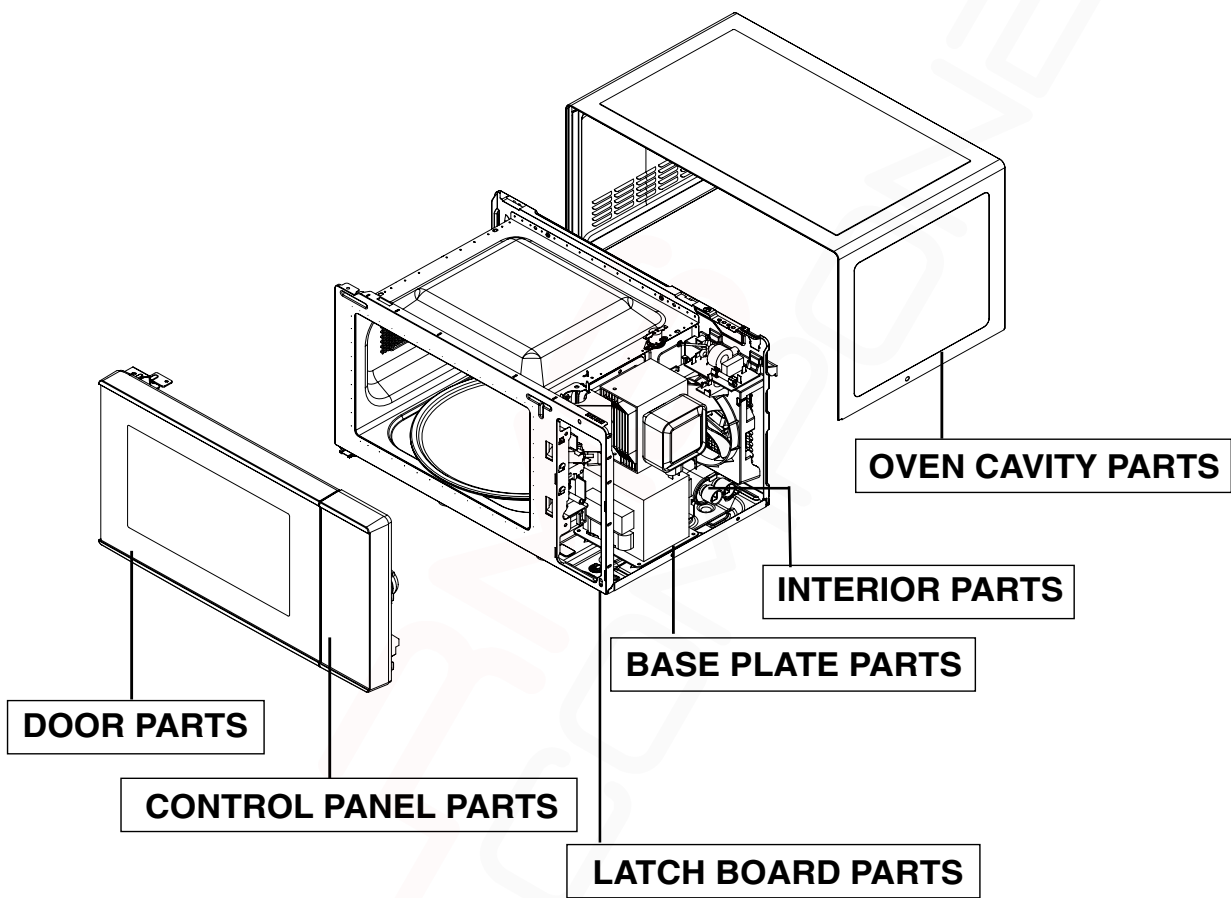
Power Requirement	240 Volts AC 50 Hz 1,270 Watts (5.4 A) Single phase, 3 wire grounded
Power Output	800 Watts full microwave power (IEC60705)
Microwave Frequency	2,450 MHz
Magnetron	2M219J
Timer	0 ~ 99 min. and 50 sec.
Outside Dimensions	485(W) x 287 (H) x 400(D) mm
Cavity Dimensions	315(W) x 227(H) x 349 (D) mm
Net Weight	12.7kg (approx.)
Shipping weight	13.7 kg (approx.)
Specifications subject to change without notice.	

Panasonic[®]

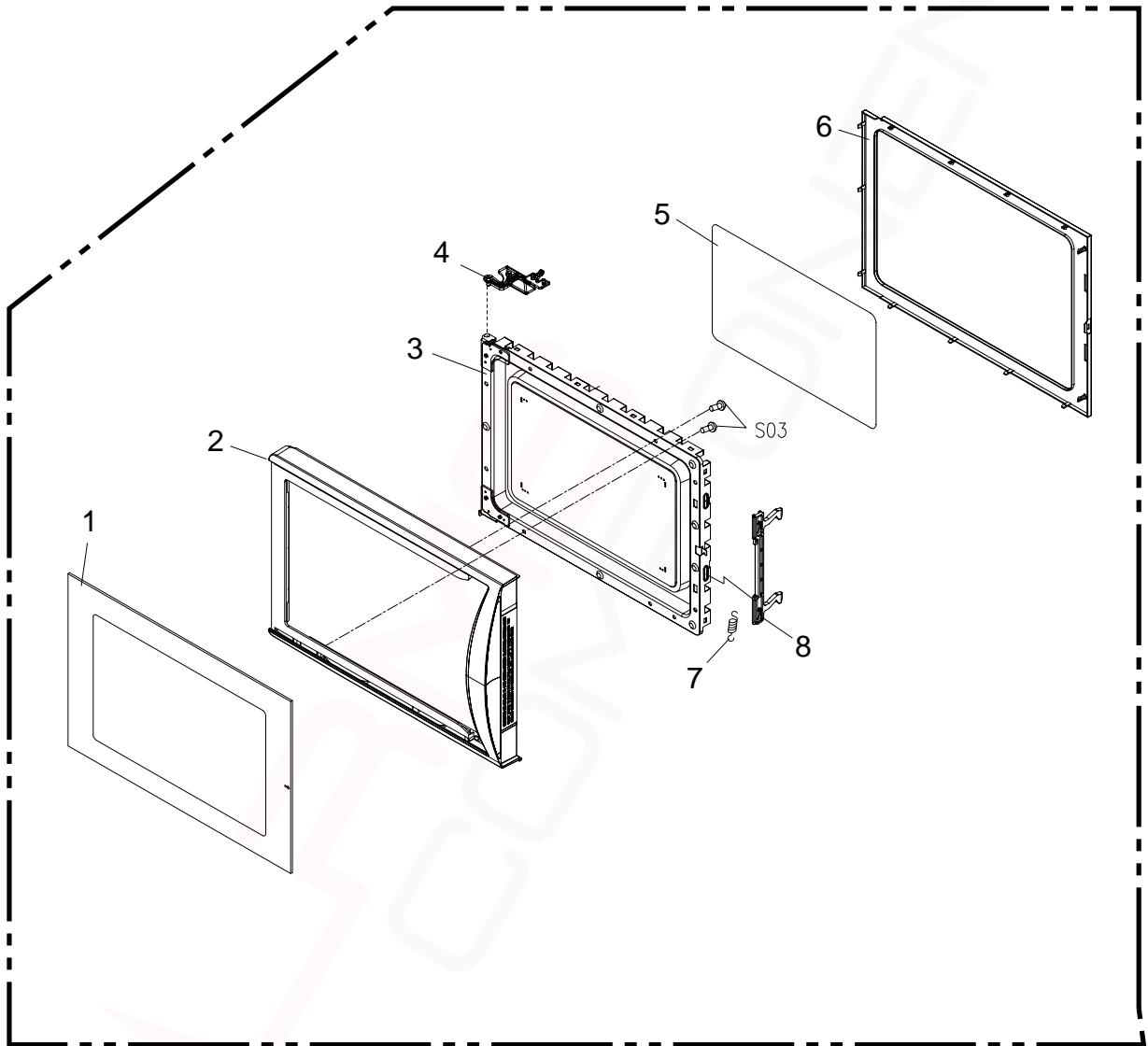
© Panasonic Corporation 2012 Unauthorized copying and distribution is a violation of law

EXPLODED VIEW

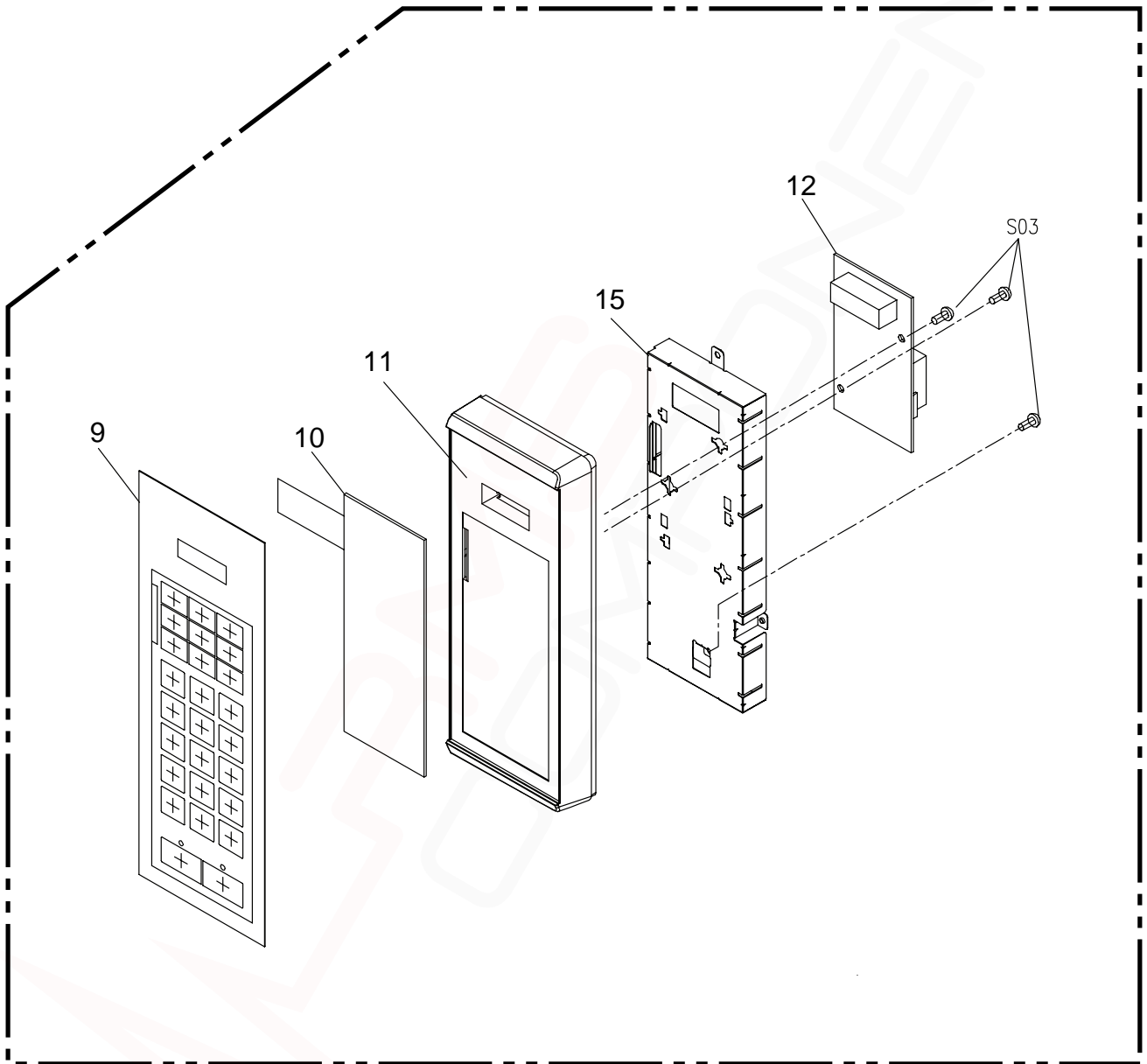
INTRODUCTION



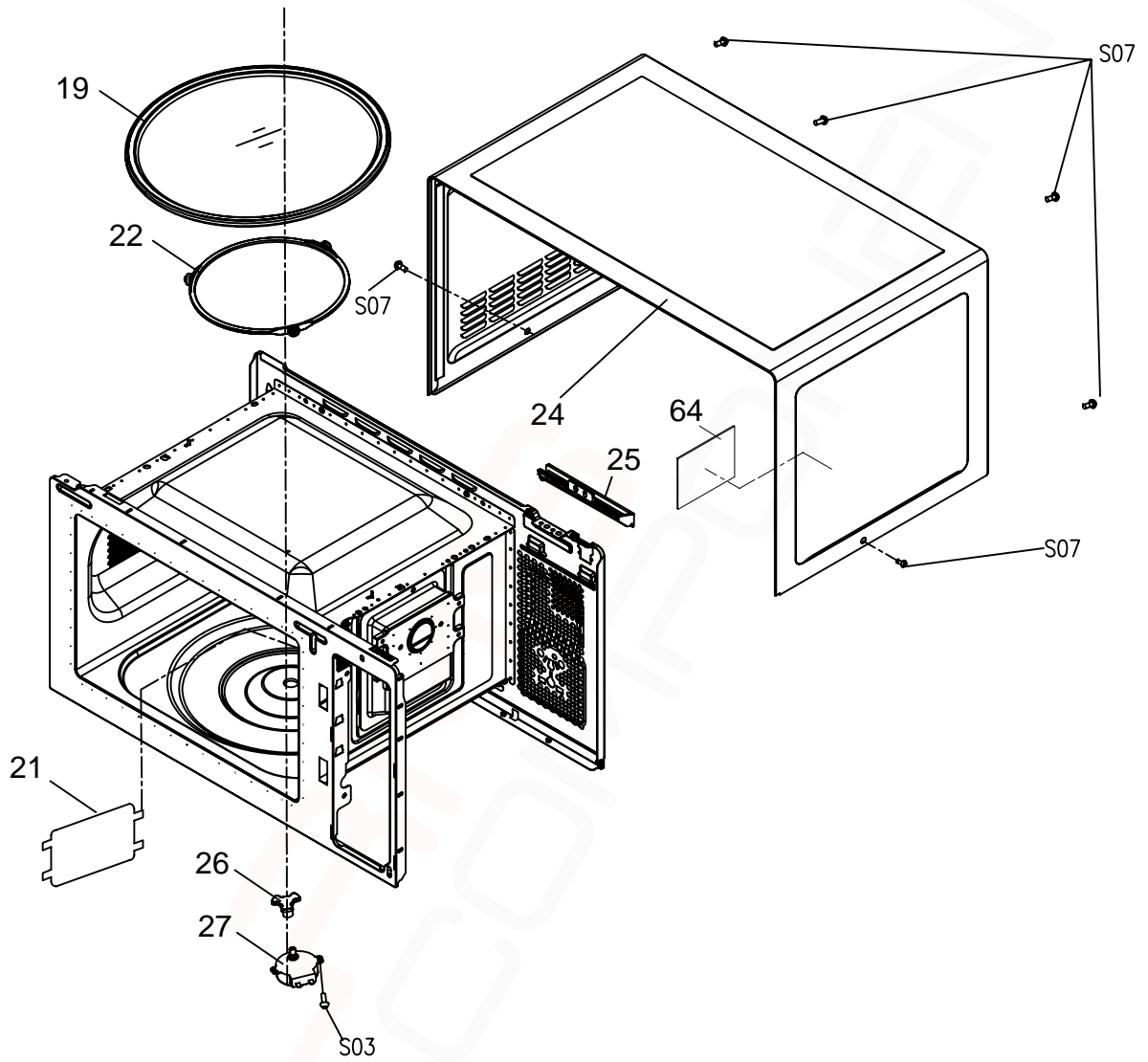
DOOR PARTS



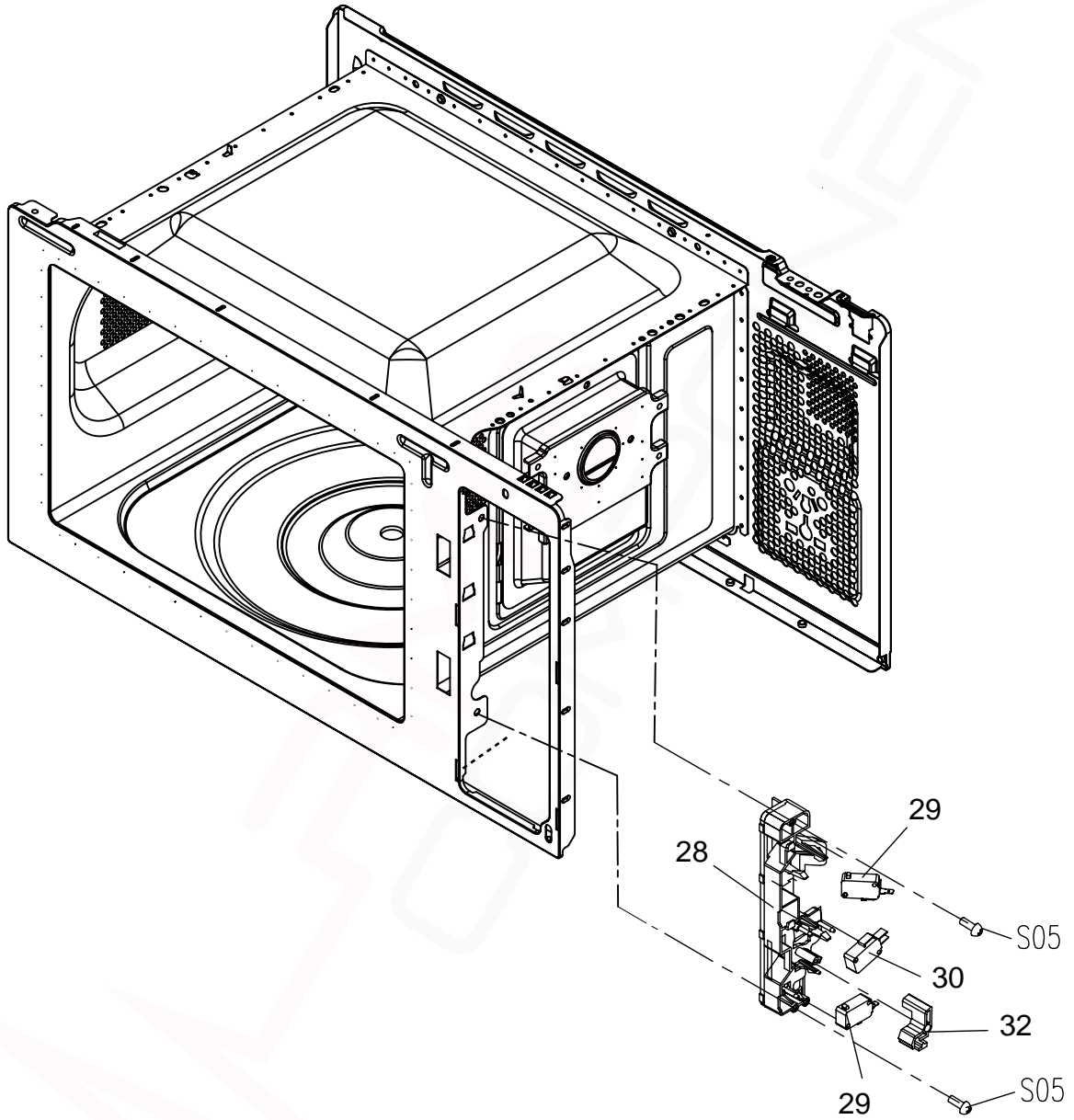
CONTROL PANEL PARTS



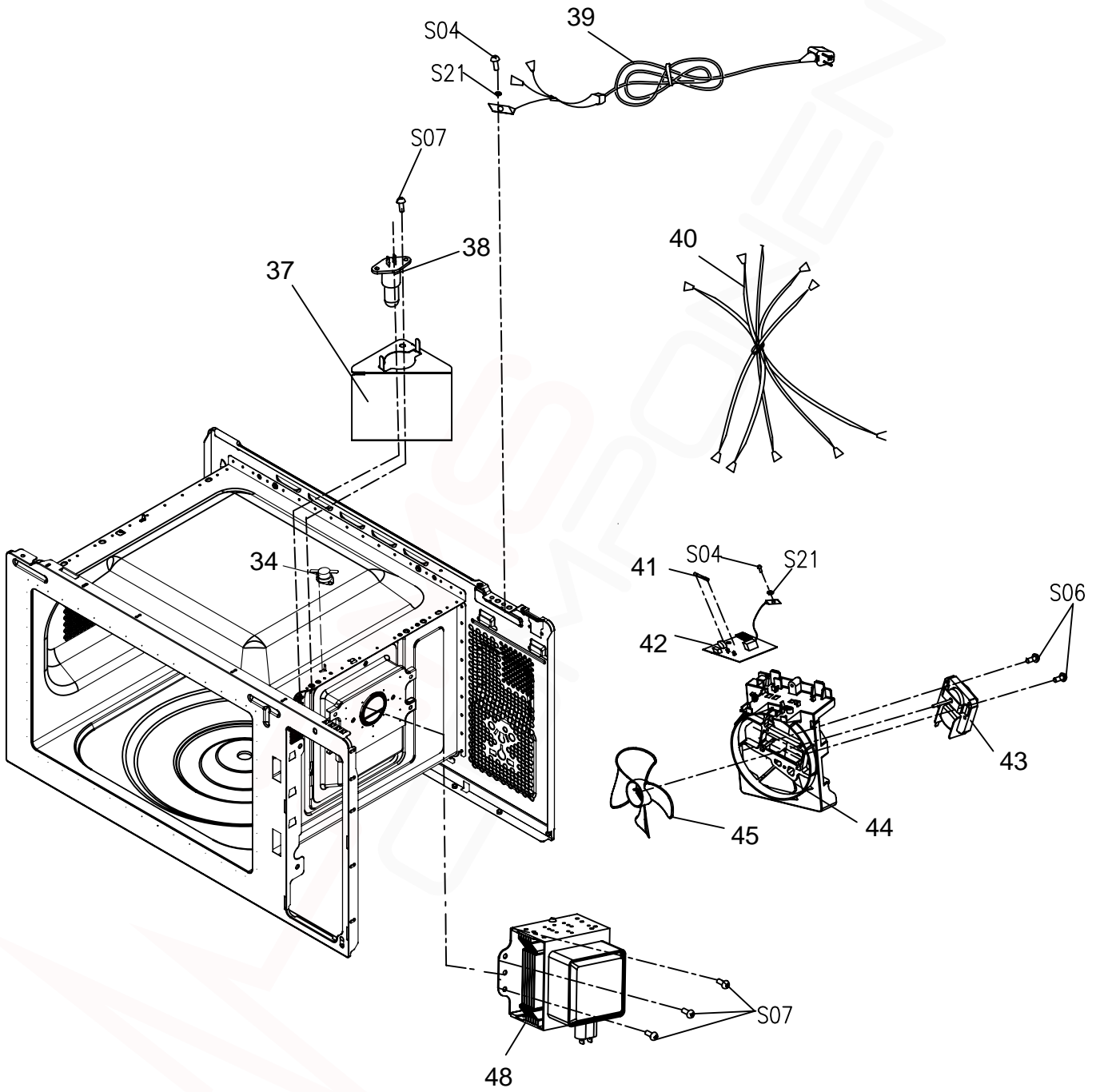
OVEN CAVITY PARTS



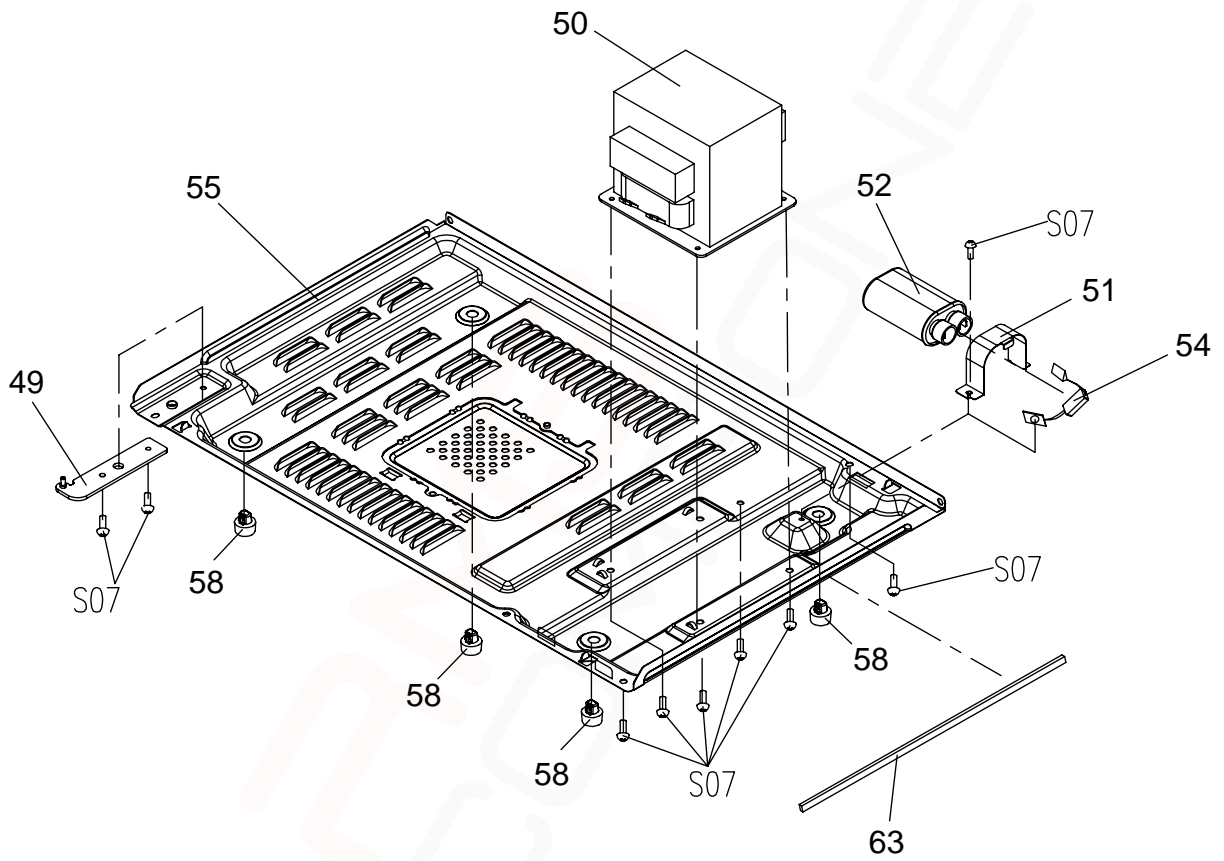
LATCH BOARD PARTS



INTERIOR PARTS




BASE PLATE PARTS







REPLACEMENT PARTS LIST

NOTE:

1. When ordering replacement part(s), please use part number(s) shown in this part list.
Do not use description of the part.
2. Important safety notice:
Components identified by  mark have special characteristics important for safety.
When replacing any of these components, use only manufacture's specified parts.

For Model:NN-ST342W(QPQ)

Ref.No.		Pan Part No.	Part Name&Description	Pcs/Set	Remarks
1+2		A302A41V0HQP	Door AU(DoorA+ScreenB)/White	1	ScreenB/Black
3+5		A302K41V0ZP	DOOR E UNIT	1	
4		A317641V0ZP	TOP DOOR HINGE	1	
5		A314541V0ZP	DOOR SCREEN A	1	
6		A308541V0ZP	DOOR C	1	
7		A323041V0ZP	DOOR KEY SPRING	1	
8		A301841V0ZP	DOOR KEY A	1	
9+10		A630Y41T0HQP	MEMBRANE SWITCH(U)	1	
9		A833741T0HQP	ESCUTCHEON SHEET	1	
10		A647941V0ZP	MEMBRANE SWITCH	1	
11		A803441V0HQP	ESCUTCHEON BASE	1	
12		A603L41T0ZP	PC BOARD(U)	1	
15		A812741V0ZP	ESCU.T.BACK PLATE	1	
19		A060141V0ZP	COOKING TRAY	1	
21		A205541V0ZP	CEILING COVER	1	
22		A290D41V0ZP	ROLLER RING(U)	1	
24+64		A110D41V0HQP	CABINET BODY(U)	1	
25		A488540N0BP	BRACKET WATER SEALING	1	
26		A213140N0BP	PULLEY SHAFT	1	

REPLACEMENT PARTS LIST

For Model:NN-ST342W(QPQ)

27		A632641V0ZP	TURNTABLE MOTOR	1	
28	⚠	A302041V0ZP	DOOR HOOK A	1	
29	⚠	A614141V0ZP	MICROSWITCH	2	
30	⚠	A614241V0ZP	MICROSWITCH(MONITOR SWITCH)	1	
32		A313641V0ZP	HOOK SPACER	1	
34	⚠	A614541T0ZP	THERMAL CUTOFF(OVEN)	1	120°C/0°C
37		A402541V0ZP	AIR GUIDE A	1	
38		A612E7W50BP	LAMP(U)	1	
39	⚠	A900C41T0QP	AC CORD W/PLUG	1	
40		A030A41T0ZP	LEAD WIRE HARNESS	1	
41	⚠	A623040N0BP	FUSE	1	
42	⚠	A692Y41V0ZP	NOISE FILTER	1	
43		A400A41V0ZP	FAN MOTOR	1	
44		A414441V0ZP	ORIFICE	1	
45		A400841V0ZP	FAN BLADE	1	
48	⚠	2M219J	MAGNETRON	1	
49		A300741V0ZP	LOWER HINGE	1	
50	⚠	A600B41U0KP	H.V.TRANSFORMER	1	
51		A618841V0ZP	CAPACITOR BRACKET	1	
52	⚠	A609041T0KP	H.V. CAPACITOR	1	
54	⚠	A620241V0ZP	DIODE,SI	1	
55		A100141V0ZP	BASE	1	
58		A100841V0ZP	RUBBER FOOT	4	
63		A09047W50BP	CUSHION RUBBER	1	Baseplate