

# Service Manual

Microwave Oven

Model No. **NN-ST253WHPE**  
**NN-ST253WQPQ**  
**NN-ST253BQPQ**

**20L**

White

Hong Kong/ New Zealand/  
Australia

## **⚠ WARNING**

This service information is designed for experienced repair technicians only and is not designed for use by the general public. It does not contain warnings or cautions to advise non-technical individuals of potential dangers in attempting to service a product. Products powered by electricity should be serviced or repaired only by experienced professional technicians. Any attempt to service or repair the product or products dealt with in this service information by anyone else could result in serious injury or death.

## **IMPORTANT SAFETY NOTICE**

There are special components used in this equipment which are important for safety. These parts are marked by **⚠** in the Schematic Diagrams, Circuit Board Diagrams, Exploded Views and Replacement Parts List. It is essential that these critical parts should be replaced with manufacturer's specified parts to prevent shock, fire or other hazards. Do not modify the original design without permission of manufacturer.

## Specifications

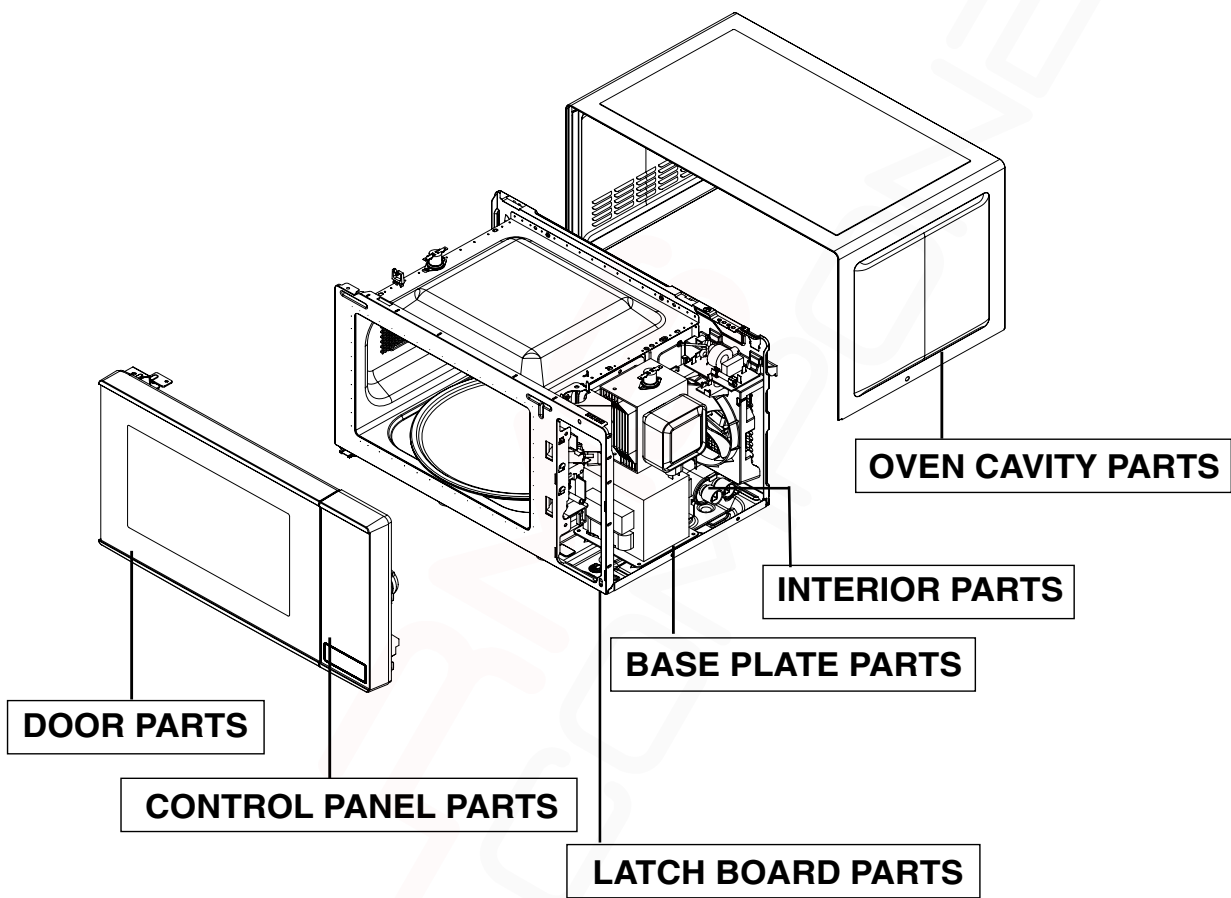
| Requirement                                      | NN-ST253W(HPE)                            | NN-ST253W(QPQ)/ST253B(QPQ)   |
|--|---|--|
|  | Power Requirement                         | 220 Volts AC 50 Hz<br>1,250 Watts (5.4 A)<br>Single phase, 3 wire grounded |
| Power Output                                     | 800 Watts full microwave power (IEC60705) |  |
| Microwave Frequency                              | 2,450 MHz                                 |  |
| Magnetron  | 2M219J                                    |  |
| Timer  | 0 ~ 99 min. 90 sec.                       |  |
| Outside Dimensions                               | 443(W) x 258 (H) x 340(D) mm              |  |
| Cavity Dimensions                                | 306(W) x 215(H) x 308 (D) mm              |  |
| Net Weight                                       | 11kg (approx.)                            |  |
| Shipping weight                                  | 13 kg (approx.)                           |  |
| Specifications subject to change without notice. |   |  |

# Panasonic®

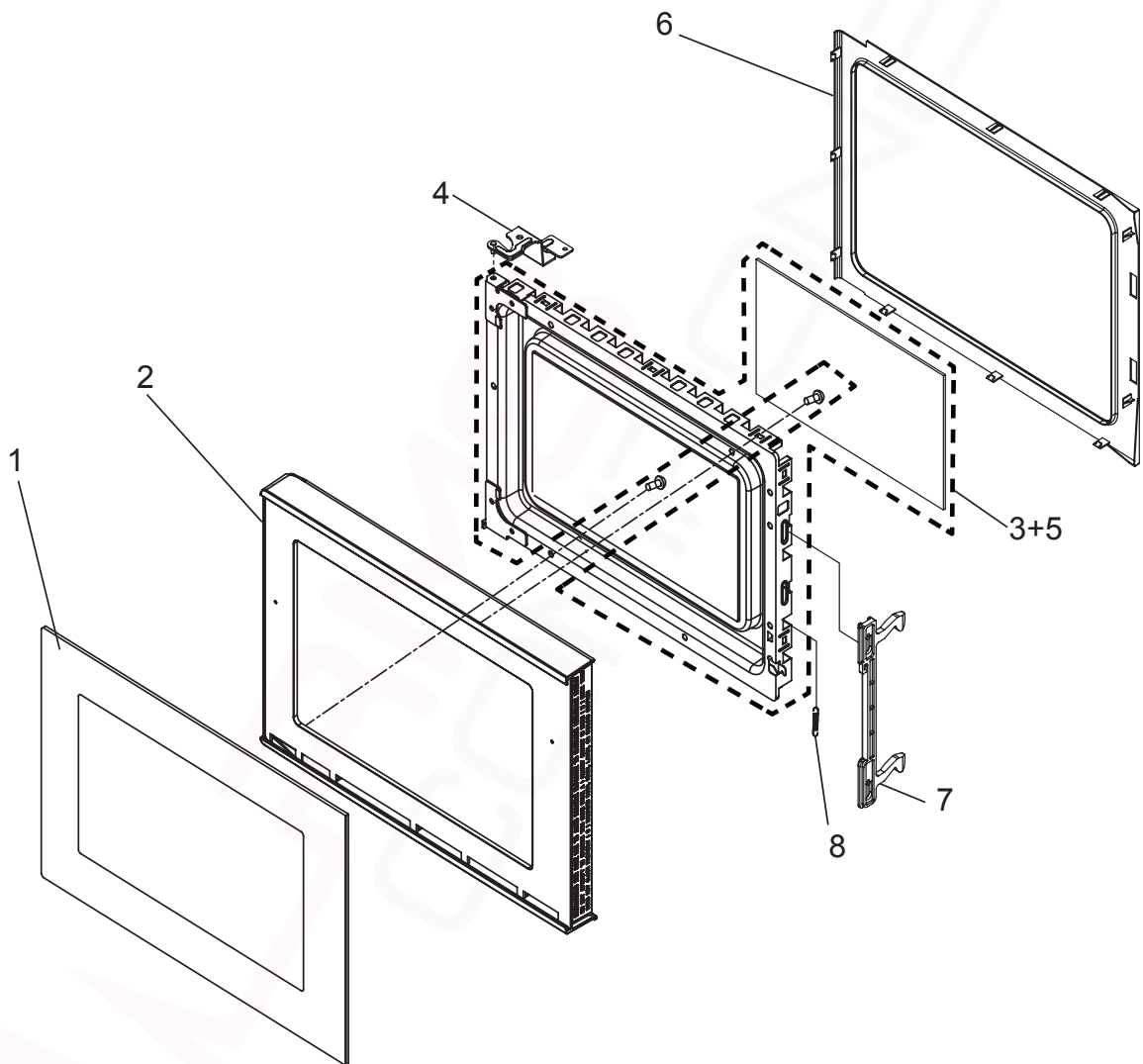
© Panasonic Corporation 2013 Unauthorized copying and distribution is a violation of law

# EXPLODED VIEW

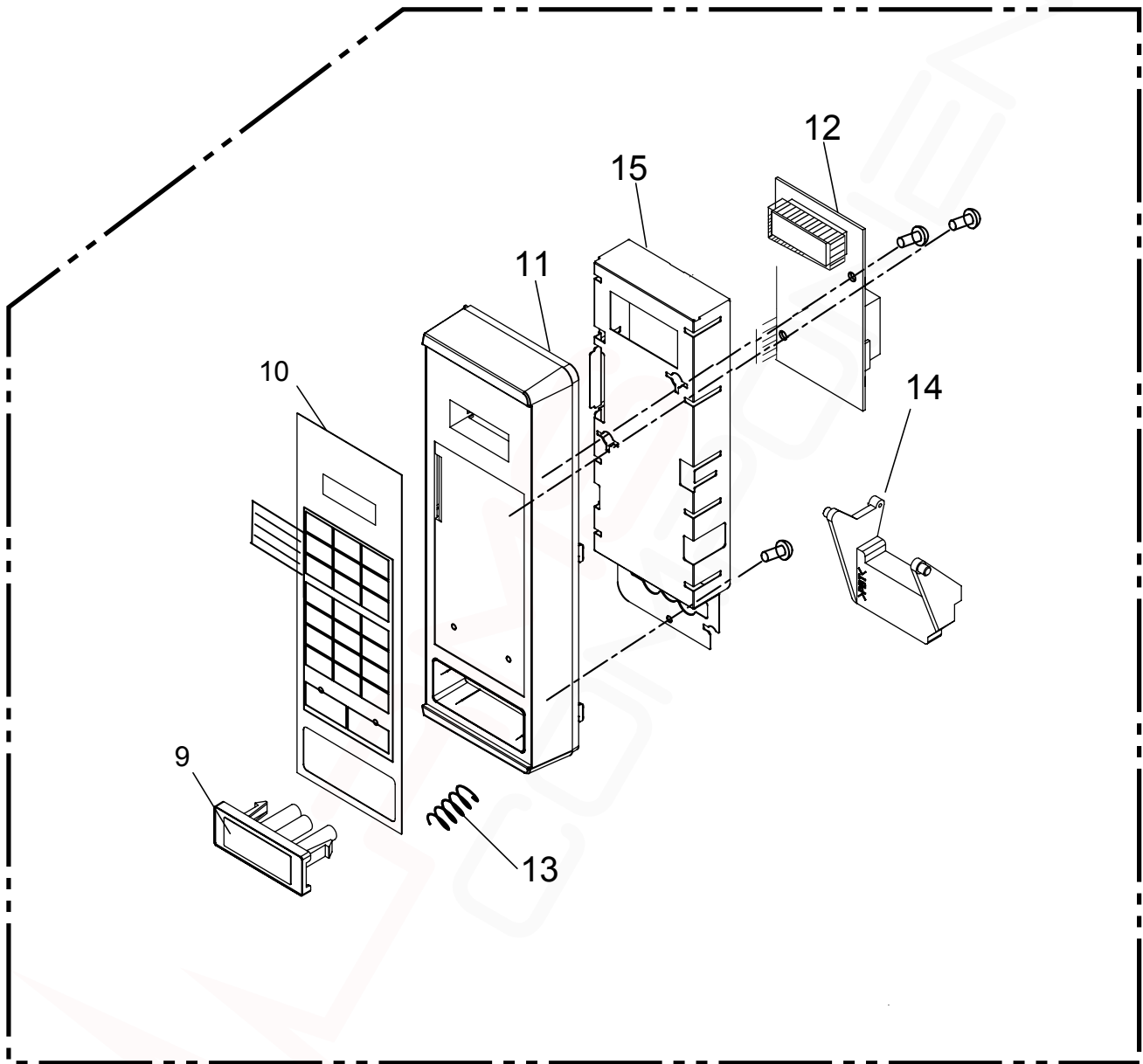
## INTRODUCTION



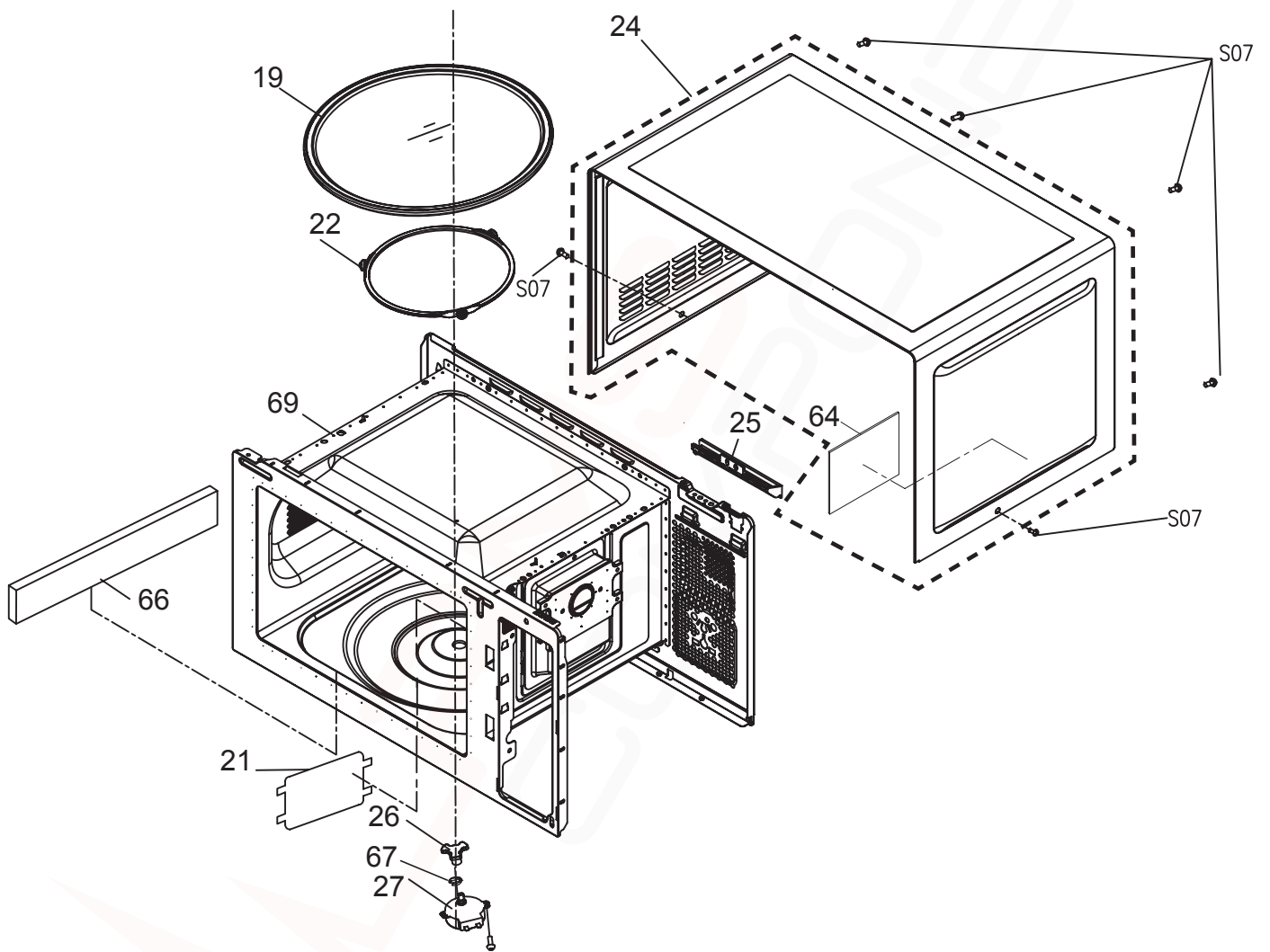
# DOOR PARTS



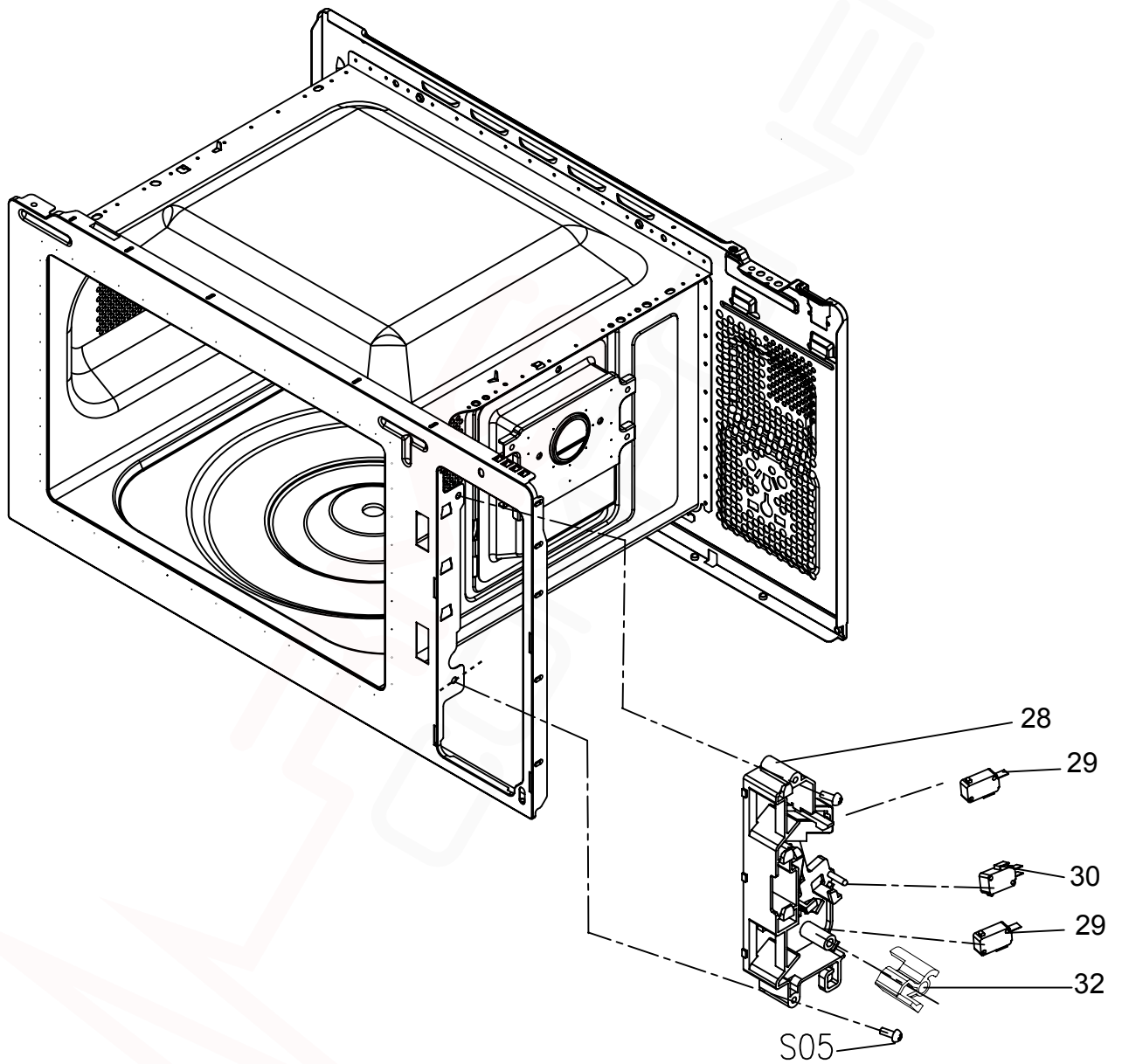
# CONTROL PANEL PARTS



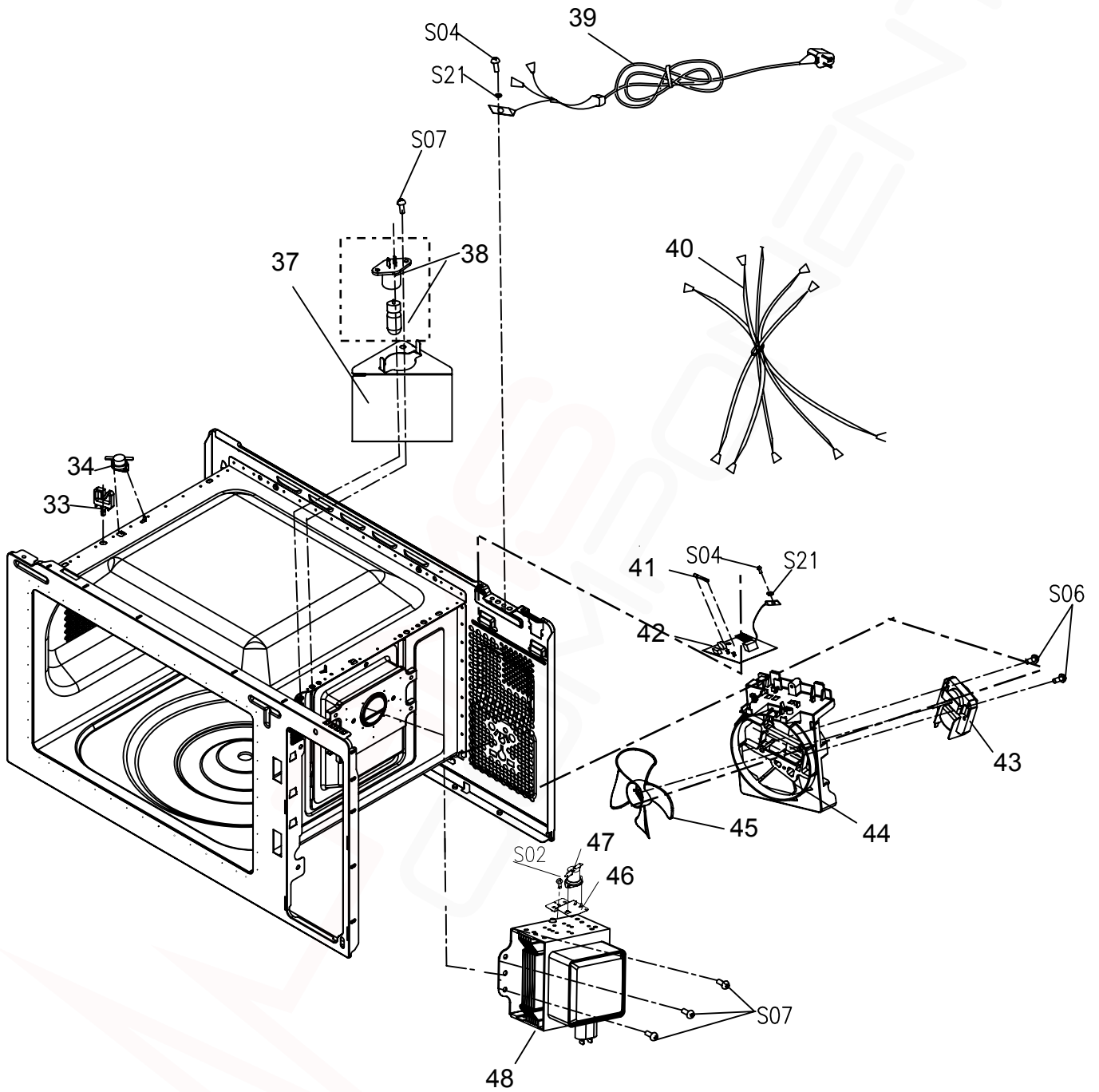
# OVEN CAVITY PARTS



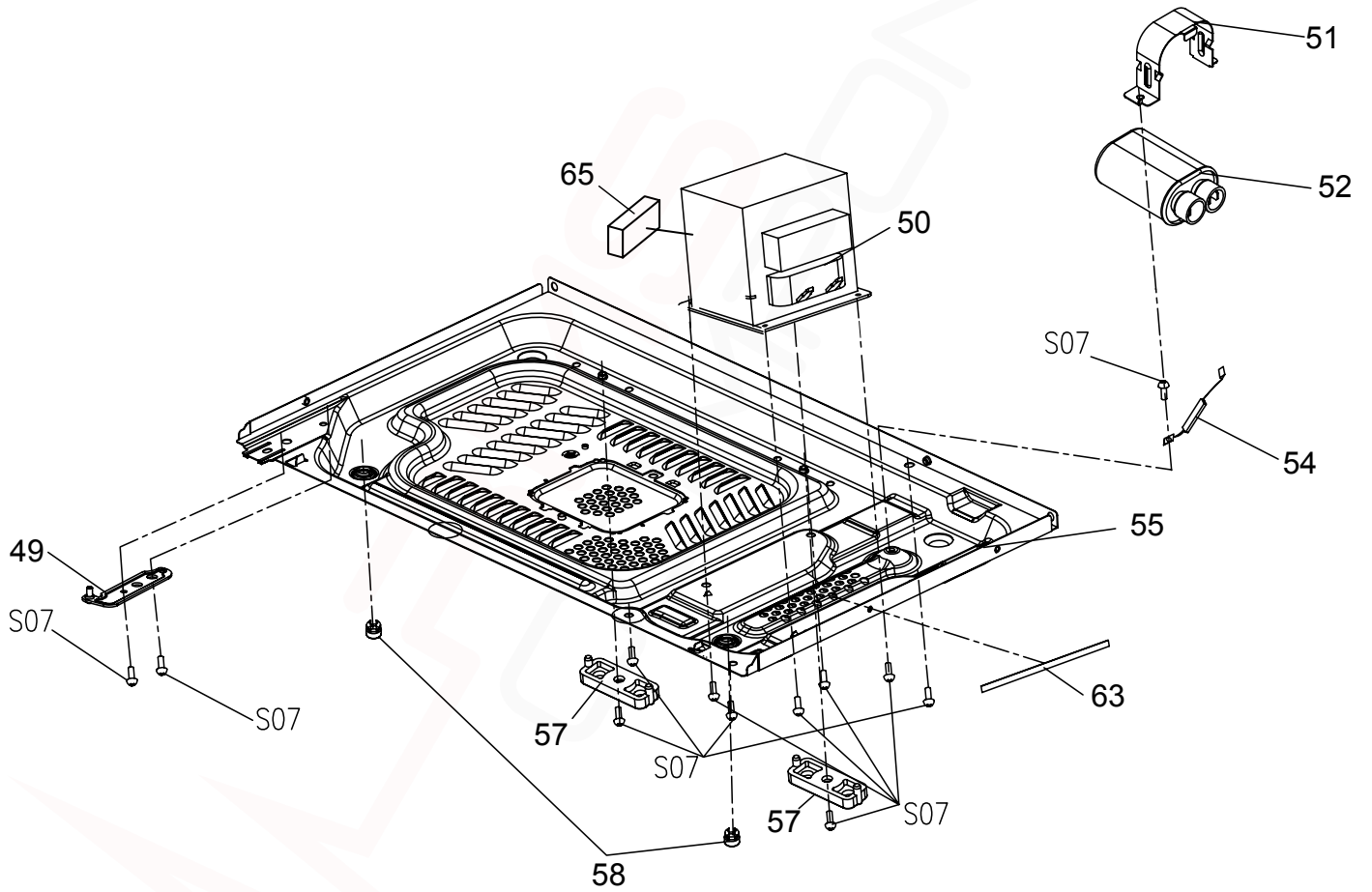
# LATCH BOARD PARTS



# INTERIOR PARTS



# BASE PLATE PARTS





# REPLACEMENT PARTS LIST

**NOTE:**

1. When ordering replacement part(s), please use part number(s) shown in this part list.  
Do not use description of the part.
2. Important safety notice:  
Components identified by  $\triangle$  mark have special characteristics important for safety.  
When replacing any of these components, use only manufacture's specified parts.

**For Model:NN-ST253W(HPE)**

| Safety      | Ref. No. | Part No.     | Part Name & Description       | Pcs/set | Remarks           |
|-------------|----------|--------------|-------------------------------|---------|-------------------|
| $\triangle$ | 1+2      | A302A40L0HZP | Door AU(DoorA+ScreenB)/ White | 1       |                   |
| $\triangle$ | 3+5      | A302K7W50BP  | DOOR E UNIT                   | 1       |                   |
|             | 4        | A31767W50BP  | TOP DOOR HINGE                | 1       |                   |
| $\triangle$ | 6        | A30857W50BP  | DOOR C                        | 1       |                   |
|             | 7        | A30187W50BP  | DOOR KEY A                    | 1       |                   |
|             | 8        | A32307W50BP  | DOOR KEY SPRING               | 1       |                   |
|             | 9        | A807240L0HZP | DOOR OPENING BUTTON (U)       | 1       |                   |
|             | 10       | A630Y43A0HHP | MEMBRANE SWITCH (U)           | 1       |                   |
|             | 11       | A803440L0HBP | ESCUTCHEON BASE               | 1       |                   |
| $\triangle$ | 12       | A603L40L0ZP  | PC BOARD (U)                  | 1       |                   |
|             | 13       | A80377W50BP  | SPRING                        | 1       |                   |
|             | 14       | A82567W50BP  | DOOR OPENING LEVER            | 1       |                   |
|             | 15       | A812740N0BP  | BACK PANEL                    | 1       |                   |
|             | 19       | A060140L0TU  | COOKING TRAY                  | 1       |                   |
|             | 21       | A20557W50BP  | CEILING COVER                 | 1       |                   |
|             | 22       | A290D40L0TU  | ROLLER RING (U)               | 1       |                   |
|             | 24+64    | A110D40N0HBP | CABINET BODY (U)              | 1       |                   |
|             | 25       | A488540N0BP  | BRACKET WATER SEALING         | 1       |                   |
|             | 26       | A213140N0BP  | PULLEY SHAFT                  | 1       |                   |
|             | 27       | A63267W50BP  | TURNTABLE MOTOR               | 1       |                   |
| $\triangle$ | 28       | A301840L0BP  | DOOR HOOK A                   | 1       |                   |
| $\triangle$ | 29       | A614141V0ZP  | MICROSWITCH                   | 2       | PRIMARY/SECONDARY |
| $\triangle$ | 30       | A614241V0ZP  | MICROSWITCH                   | 1       | MONITOR           |
|             | 32       | A313640N0BP  | HOOK SPACER                   | 1       |                   |
|             | 33       | A91697W50BP  | HOLDER                        | 1       |                   |
| $\triangle$ | 34       | A614541V0ZP  | THERMAL CUTOUT (OVEN)         | 1       | 160°C/95°C        |
|             | 37       | A402540N0BP  | AIR GUIDE A                   | 1       |                   |
|             | 38       | A612E7W50BP  | LAMP (U)                      | 1       |                   |
| $\triangle$ | 39       | A900C41T0KP  | AC CORD W/PLUG                | 1       |                   |
| $\triangle$ | 40       | A030A7W70BP  | LEAD WIRE HARNESS             | 1       |                   |
| $\triangle$ | 41       | A623040N0BP  | FUSE                          | 1       | 8A                |
| $\triangle$ | 42       | A692Y41V0ZP  | NOISE FILTER                  | 1       |                   |
|             | 43       | A400A41G0TU  | COOLING FAN MOTOR             | 1       |                   |
|             | 44       | A41447W50BP  | ORIFICE                       | 1       |                   |
|             | 45       | A40087W50BP  | FAN BLADE                     | 1       |                   |
|             | 46       | A662641G0TU  | BRACKET , THERMAL CUTOUT      | 1       |                   |
| $\triangle$ | 47       | A614541V0ZP  | THERMAL CUTOUT (MGT)          | 1       | 160°C/95°C        |
| $\triangle$ | 48       | 2M219J       | MAGNETRON                     | 1       |                   |
|             | 49       | A30077W50BP  | LOWER HINGE                   | 1       |                   |
| $\triangle$ | 50       | A600B41V0ZP  | H.V. TRANSFORMER              | 1       |                   |
|             | 51       | A618841V0ZP  | CAPACITOR BRACKET             | 1       |                   |
| $\triangle$ | 52       | A60907W50BP  | H.V. CAPACITOR                | 1       |                   |
| $\triangle$ | 54       | A620241V0ZP  | DIODE,SI                      | 1       |                   |
|             | 55       | A10017W50BP  | BASE                          | 1       |                   |
|             | 57       | A10947W50BP  | RUBBER FOOT B                 | 2       |                   |
|             | 58       | A10087W50BP  | RUBBER FOOT                   | 2       |                   |
|             | 63       | A09047W50BP  | CUSHION RUBBER                | 1       | Base plate        |
|             | 65       | A09097W50BP  | CUSHION RUBBER                | 1       | Beside HVT        |
|             | 66       | A09067W50BP  | CUSHION RUBBER                | 1       | Under oven U      |

| Safety | Ref. No. | Part No.     | Part Name & Description | Pcs/set | Remarks         |
|--------|----------|--------------|-------------------------|---------|-----------------|
|        | 67       | A217340N0TU  | SPACER                  | 1       | Turntable motor |
|        | 69       | A200A40S0BP  | OVEN CAVITY             | 1       |                 |
|        |          | A010940S0BP  | FOAM SHEET              | 1       |                 |
|        |          | A010440S0BP  | UPPER FILLER            | 1       |                 |
|        |          | A010540S0BP  | LOWER FILLER            | 1       |                 |
|        |          | A010640S0BP  | VINYL BAG               | 1       |                 |
|        |          | A010243A0HHP | CARTON BOX              | 1       |                 |
|        |          | A000343A0HP  | OPERATING INSTRUCTION   | 1       |                 |
|        |          | A000641T0MP  | WARNING LABEL           | 1       |                 |

# REPLACEMENT PARTS LIST

**NOTE:**

1. When ordering replacement part(s), please use part number(s) shown in this part list.  
Do not use description of the part.
2. Important safety notice:  
Components identified by  $\triangle$  mark have special characteristics important for safety.  
When replacing any of these components, use only manufacture's specified parts.

**For Model:NN-ST253W(QPQ)**

| Safety      | Ref. No. | Part No.     | Part Name & Description      | Pcs/set | Remarks           |
|-------------|----------|--------------|------------------------------|---------|-------------------|
| $\triangle$ | 1+2      | A300140N0HBP | Door AU(DoorA+ScreenB)/White | 1       |                   |
| $\triangle$ | 3+5      | A302K7W50BP  | DOOR E UNIT                  | 1       |                   |
|             | 4        | A31767W50BP  | TOP DOOR HINGE               | 1       |                   |
| $\triangle$ | 6        | A30857W50BP  | DOOR C                       | 1       |                   |
|             | 7        | A30187W50BP  | DOOR KEY A                   | 1       |                   |
|             | 8        | A32307W50BP  | DOOR KEY SPRING              | 1       |                   |
|             | 9        | A807240L0HZP | DOOR OPENING BUTTON (U)      | 1       |                   |
|             | 10       | A630Y43A0HQP | MEMBRANE SWITCH (U)          | 1       |                   |
|             | 11       | A803440L0HBP | ESCUTCHEON BASE              | 1       |                   |
| $\triangle$ | 12       | A603L43A0QP  | PC BOARD (U)                 | 1       |                   |
|             | 13       | A80377W50BP  | SPRING                       | 1       |                   |
|             | 14       | A82567W50BP  | DOOR OPENING LEVER           | 1       |                   |
|             | 15       | A812740N0BP  | BACK PANEL                   | 1       |                   |
|             | 19       | A060140L0TU  | COOKING TRAY                 | 1       |                   |
|             | 21       | A20557W50BP  | CEILING COVER                | 1       |                   |
|             | 22       | A290D40L0TU  | ROLLER RING (U)              | 1       |                   |
|             | 24+64    | A110D40N0HBP | CABINET BODY (U)             | 1       |                   |
|             | 25       | A488540N0BP  | BRACKET WATER SEALING        | 1       |                   |
|             | 26       | A213140N0BP  | PULLEY SHAFT                 | 1       |                   |
|             | 27       | A63267W50BP  | TURNTABLE MOTOR              | 1       |                   |
| $\triangle$ | 28       | A301840L0BP  | DOOR HOOK A                  | 1       |                   |
| $\triangle$ | 29       | A614141V0ZP  | MICROSWITCH                  | 2       | PRIMARY/SECONDARY |
| $\triangle$ | 30       | A614241V0ZP  | MICROSWITCH                  | 1       | MONITOR           |
|             | 32       | A313640N0BP  | HOOK SPACER                  | 1       |                   |
|             | 33       | A91697W50BP  | HOLDER                       | 1       |                   |
| $\triangle$ | 34       | A614541V0ZP  | THERMAL CUTOUT (OVEN)        | 1       | 160°C/95°C        |
|             | 37       | A402540N0BP  | AIR GUIDE A                  | 1       |                   |
|             | 38       | A612E7W50BP  | LAMP (U)                     | 1       |                   |
| $\triangle$ | 39       | A900C41T0QP  | AC CORD W/PLUG               | 1       |                   |
| $\triangle$ | 40       | A030A7W70BP  | LEAD WIRE HARNESS            | 1       |                   |
| $\triangle$ | 41       | A623040N0BP  | FUSE                         | 1       | 8A                |
| $\triangle$ | 42       | A692Y41V0ZP  | NOISE FILTER                 | 1       |                   |
|             | 43       | A400A41G0TU  | COOLING FAN MOTOR            | 1       |                   |
|             | 44       | A41447W50BP  | ORIFICE                      | 1       |                   |
|             | 45       | A40087W50BP  | FAN BLADE                    | 1       |                   |
|             | 46       | A662641G0TU  | BRACKET , THERMAL CUTOUT     | 1       |                   |
| $\triangle$ | 47       | A614541V0ZP  | THERMAL CUTOUT (MGT)         | 1       | 160°C/95°C        |
| $\triangle$ | 48       | 2M219J       | MAGNETRON                    | 1       |                   |
|             | 49       | A30077W50BP  | LOWER HINGE                  | 1       |                   |
| $\triangle$ | 50       | A600B41V0TU  | H.V. TRANSFORMER             | 1       |                   |
|             | 51       | A618841V0ZP  | CAPACITOR BRACKET            | 1       |                   |
| $\triangle$ | 52       | A609041T0KP  | H.V. CAPACITOR               | 1       |                   |
| $\triangle$ | 54       | A620241V0ZP  | DIODE,SI                     | 1       |                   |
|             | 55       | A10017W50BP  | BASE                         | 1       |                   |
|             | 57       | A10947W50BP  | RUBBER FOOT B                | 2       |                   |
|             | 58       | A10087W50BP  | RUBBER FOOT                  | 2       |                   |
|             | 63       | A09047W50BP  | CUSHION RUBBER               | 1       | Base plate        |
|             | 65       | A09097W50BP  | CUSHION RUBBER (Side)        | 1       | Beside HVT        |
|             | 66       | A09067W50BP  | CUSHION RUBBER               | 1       | Under oven U      |

| Safety | Ref. No. | Part No.     | Part Name & Description | Pcs/set | Remarks         |
|--------|----------|--------------|-------------------------|---------|-----------------|
|        | 67       | A217340N0TU  | SPACER                  | 1       | Turntable motor |
|        | 69       | A200A40S0BP  | OVEN CAVITY             | 1       |                 |
|        |          | A010940S0BP  | FOAM SHEET              | 1       |                 |
|        |          | A010440S0BP  | UPPER FILLER            | 1       |                 |
|        |          | A010540S0BP  | LOWER FILLER            | 1       |                 |
|        |          | A010640S0BP  | VINYL BAG               | 1       |                 |
|        |          | A010243A0HMP | CARTON BOX              | 1       |                 |
|        |          | A000343A0QP  | OPERATING INSTRUCTION   | 1       |                 |
|        |          | A000641T0MP  | WARNING LABEL           | 1       |                 |

# REPLACEMENT PARTS LIST

**NOTE:**

1. When ordering replacement part(s), please use part number(s) shown in this part list.  
Do not use description of the part.
2. Important safety notice:  
Components identified by  $\triangle$  mark have special characteristics important for safety.  
When replacing any of these components, use only manufacture's specified parts.

**For Model:NN-ST253B(QPQ)**

| Safety      | Ref. No. | Part No.     | Part Name & Description      | Pcs/set | Remarks           |
|-------------|----------|--------------|------------------------------|---------|-------------------|
| $\triangle$ | 1+2      | A300140N0BBP | Door AU(DoorA+ScreenB)/Black | 1       |                   |
| $\triangle$ | 3+5      | A302K7W50BP  | DOOR E UNIT                  | 1       |                   |
|             | 4        | A31767W50BP  | TOP DOOR HINGE               | 1       |                   |
| $\triangle$ | 6        | A30857W50BP  | DOOR C                       | 1       |                   |
|             | 7        | A30187W50BP  | DOOR KEY A                   | 1       |                   |
|             | 8        | A32307W50BP  | DOOR KEY SPRING              | 1       |                   |
|             | 9        | A807240L0HZP | DOOR OPENING BUTTON (U)      | 1       |                   |
|             | 10       | A630Y43A0BQP | MEMBRANE SWITCH (U)          | 1       |                   |
|             | 11       | A803440L0BBP | ESCUTCHEON BASE              | 1       |                   |
| $\triangle$ | 12       | A603L43A0QP  | PC BOARD (U)                 | 1       |                   |
|             | 13       | A80377W50BP  | SPRING                       | 1       |                   |
|             | 14       | A82567W50BP  | DOOR OPENING LEVER           | 1       |                   |
|             | 15       | A812740N0BP  | BACK PANEL                   | 1       |                   |
|             | 19       | A060140L0TU  | COOKING TRAY                 | 1       |                   |
|             | 21       | A20557W50BP  | CEILING COVER                | 1       |                   |
|             | 22       | A290D40L0TU  | ROLLER RING (U)              | 1       |                   |
|             | 24+64    | A110D40N0BBP | CABINET BODY (U)             | 1       |                   |
|             | 25       | A488540N0BP  | BRACKET WATER SEALING        | 1       |                   |
|             | 26       | A213140N0BP  | PULLEY SHAFT                 | 1       |                   |
|             | 27       | A63267W50BP  | TURNTABLE MOTOR              | 1       |                   |
| $\triangle$ | 28       | A301840L0BP  | DOOR HOOK A                  | 1       |                   |
| $\triangle$ | 29       | A614141V0ZP  | MICROSWITCH                  | 2       | PRIMARY/SECONDARY |
| $\triangle$ | 30       | A614241V0ZP  | MICROSWITCH                  | 1       | MONITOR           |
|             | 32       | A313640N0BP  | HOOK SPACER                  | 1       |                   |
|             | 33       | A91697W50BP  | HOLDER                       | 1       |                   |
| $\triangle$ | 34       | A614541V0ZP  | THERMAL CUTOUT (OVEN)        | 1       | 160°C/95°C        |
|             | 37       | A402540N0BP  | AIR GUIDE A                  | 1       |                   |
|             | 38       | A612E7W50BP  | LAMP (U)                     | 1       |                   |
| $\triangle$ | 39       | A900C41T0QP  | AC CORD W/PLUG               | 1       |                   |
| $\triangle$ | 40       | A030A7W70BP  | LEAD WIRE HARNESS            | 1       |                   |
| $\triangle$ | 41       | A623040N0BP  | FUSE                         | 1       | 8A                |
| $\triangle$ | 42       | A692Y41V0ZP  | NOISE FILTER                 | 1       |                   |
|             | 43       | A400A41G0TU  | COOLING FAN MOTOR            | 1       |                   |
|             | 44       | A41447W50BP  | ORIFICE                      | 1       |                   |
|             | 45       | A40087W50BP  | FAN BLADE                    | 1       |                   |
|             | 46       | A662641G0TU  | BRACKET , THERMAL CUTOUT     | 1       |                   |
| $\triangle$ | 47       | A614541V0ZP  | THERMAL CUTOUT (MGT)         | 1       | 160°C/95°C        |
| $\triangle$ | 48       | 2M219J       | MAGNETRON                    | 1       |                   |
|             | 49       | A30077W50BP  | LOWER HINGE                  | 1       |                   |
| $\triangle$ | 50       | A600B41V0TU  | H.V. TRANSFORMER             | 1       |                   |
|             | 51       | A618841V0ZP  | CAPACITOR BRACKET            | 1       |                   |
| $\triangle$ | 52       | A609041T0KP  | H.V. CAPACITOR               | 1       |                   |
| $\triangle$ | 54       | A620241V0ZP  | DIODE,SI                     | 1       |                   |
|             | 55       | A10017W50BP  | BASE                         | 1       |                   |
|             | 57       | A10947W50BP  | RUBBER FOOT B                | 2       |                   |
|             | 58       | A10087W50BP  | RUBBER FOOT                  | 2       |                   |
|             | 63       | A09047W50BP  | CUSHION RUBBER               | 1       | Base plate        |
|             | 65       | A09097W50BP  | CUSHION RUBBER (Side)        | 1       | Beside HVT        |
|             | 66       | A09067W50BP  | CUSHION RUBBER               | 1       | Under oven U      |

| Safety | Ref. No. | Part No.     | Part Name & Description | Pcs/set | Remarks         |
|--------|----------|--------------|-------------------------|---------|-----------------|
|        | 67       | A217340N0TU  | SPACER                  | 1       | Turntable motor |
|        | 69       | A200A40S0BP  | OVEN CAVITY             | 1       |                 |
|        |          | A010940S0BP  | FOAM SHEET              | 1       |                 |
|        |          | A010440S0BP  | UPPER FILLER            | 1       |                 |
|        |          | A010540S0BP  | LOWER FILLER            | 1       |                 |
|        |          | A010640S0BP  | VINYL BAG               | 1       |                 |
|        |          | A010243A0KMP | CARTON BOX              | 1       |                 |
|        |          | A000343A0QP  | OPERATING INSTRUCTION   | 1       |                 |
|        |          | A000641T0MP  | WARNING LABEL           | 1       |                 |