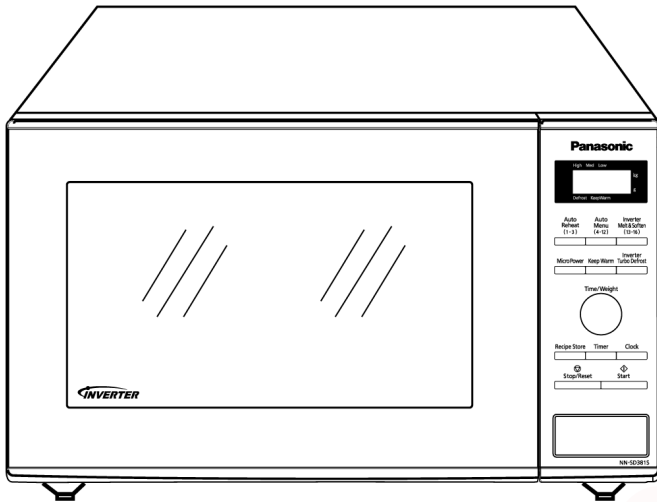


Service Manual

Microwave Oven



NN-SD381S
NN-SD351M

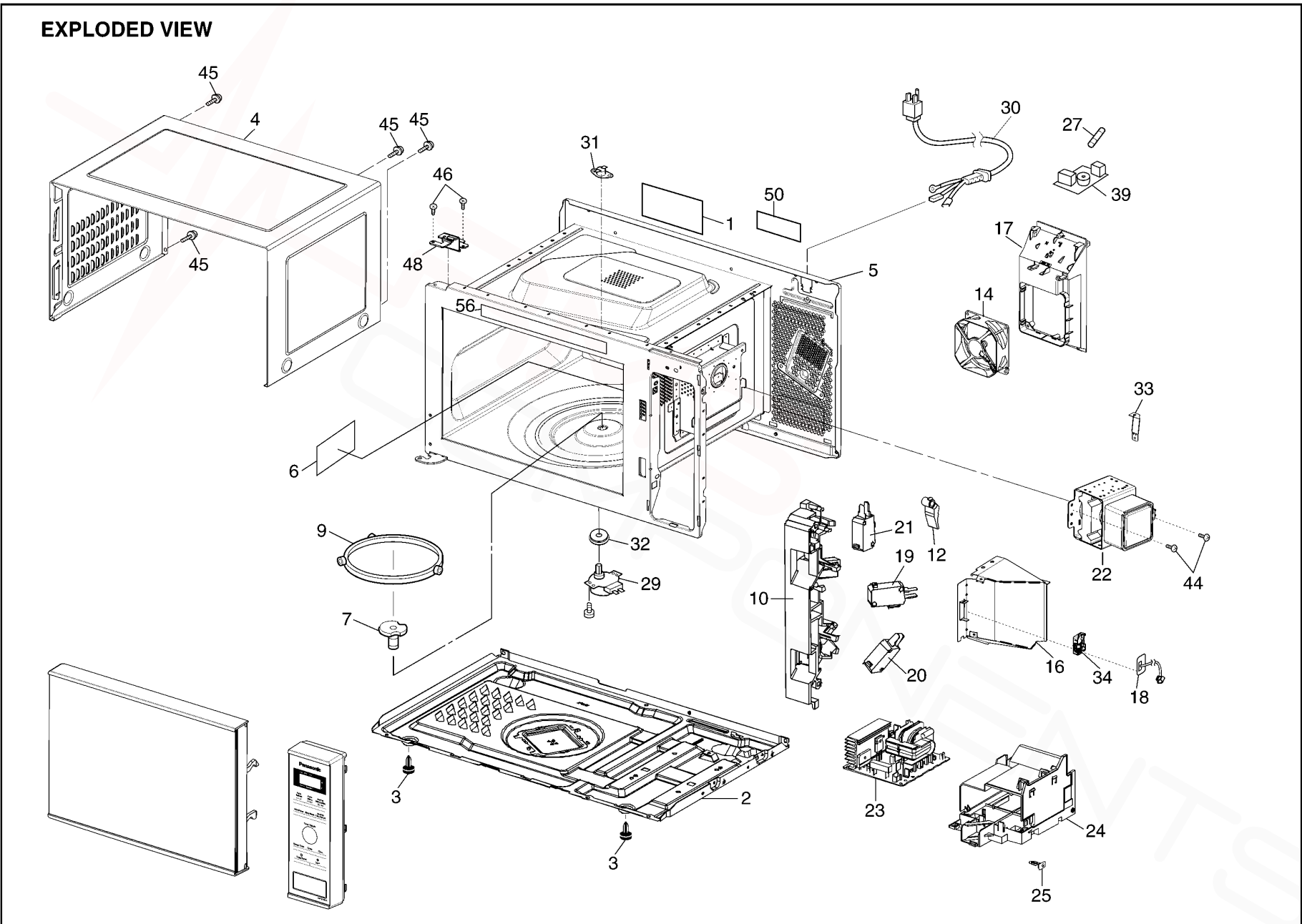
QPQ (Australia & New Zealand)

Specification

Models	NN-SD381S	NN-SD351M
Power Source:	230V-240V AC Single Phase, 50Hz	
Power Consumption:	1150W	1150W
Output:	950W	950W
Microwave Frequency:	2450MHz	
Timer:	90 min.00sec (HIGH/MAX Power Level) 30 min.00sec (Other Power Level)	
Outside Dimensions:	488mm(W) x 395mm(D) x 279mm(H)	
Oven Cavity Dimensions:	315mm(W) x 353mm(D) x 206mm(H)	
Weight:	9.5kg	
PbF	This product with PbF	
Specifications subject to change without notice.		

10 EXPLODED VIEW AND PARTS LIST

10.1. EXPLODED VIEW



10.2. PARTS LIST

NOTE:

1. When ordering replacement part(s), please use part number(s) shown in this part list.

Do not use description of the part.

2. Important safety notice:

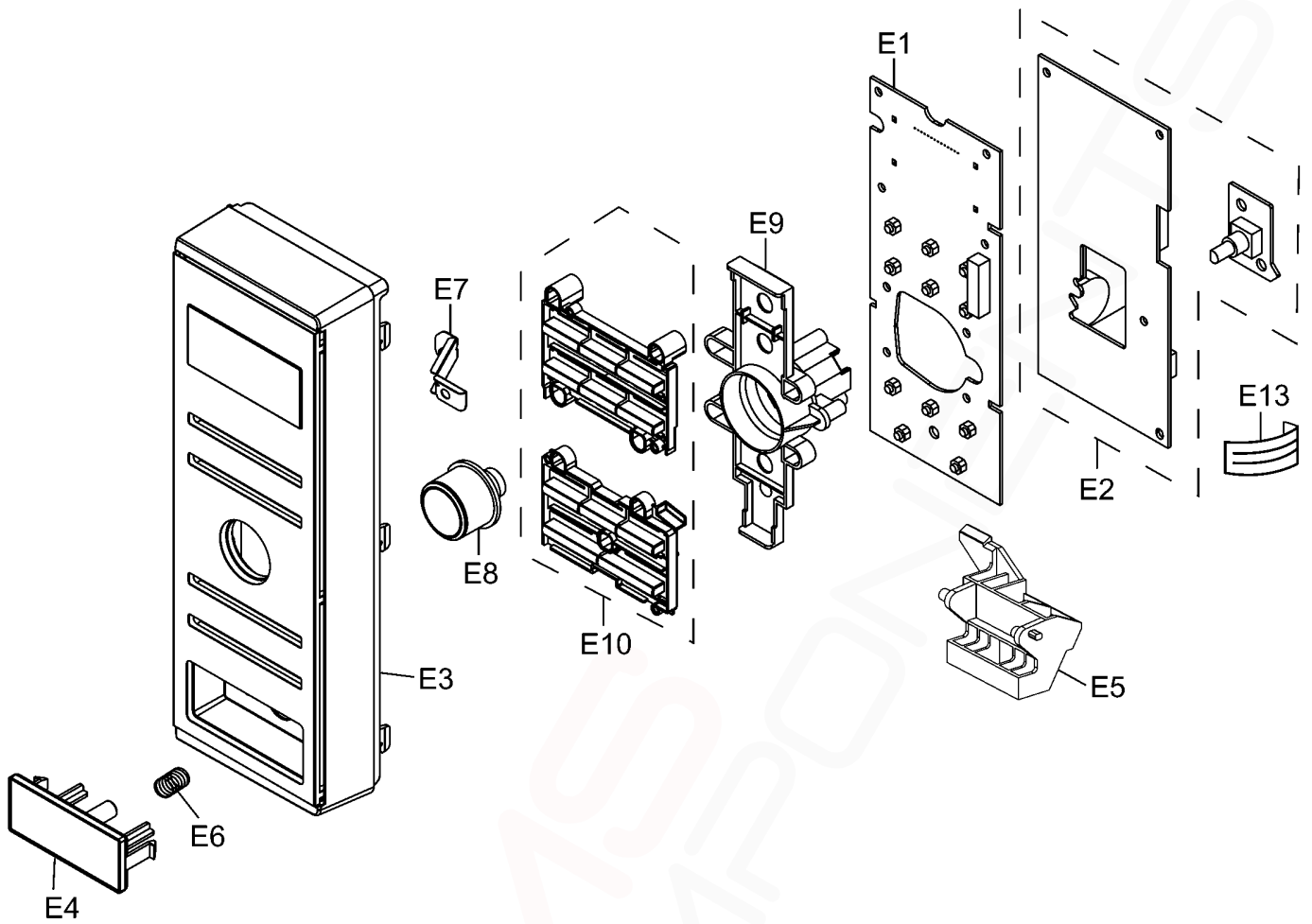
Components identified by \triangle mark have special characteristics important for safety.

When replacing any of these components, use only manufacture's specified parts.

Ref. No.	Part No.	Part Name & Description	Pcs/Set	Remarks
1	F00066V00HP	CAUTION LABEL	1	
2	F10019V00XP	BASE	1	
3	F10089W40HPS	RUBBER FOOT	2	
4	F1009BB10SEP	CABINET BODY	1	
5	\triangle F200ABA00EP	OVEN	1	
6	F20559V00XP	COVER	1	
7	F21316E70XP	PULLY SHAFT	1	
9	F290D9W00XP	ROLLER RING (U)	1	
10	\triangle F30209V10XP	DOOR HOOK	1	
12	F31369V00XP	HOOK LEVER A	1	
14	F4001BA00BP	DC FAN wMOTOR (U)	1	DC12V
16	F4025BA00EP	AIR GUIDE A	1	
17	F4144BA00EP	ORIFICE	1	
18	F605SBA00BP	D.P.CIRCUIT (HU)	1	LED LAMP INSIDE
19	\triangle F61425U30XN	MICRO SWITCH	1	(PRIMARY LATCH SWITCH)
20	\triangle F61415U30XN	MICRO SWITCH	1	(SECONDARY LATCH SWITCH)
21	\triangle F61785U30XN	MICRO SWITCH	1	(SHORT SWITCH)
22	\triangle 2M236-M36R	MAGNETRON	1	
23	\triangle F606YBA00GP	H.V.INVERTER (U)	1	
24	F6585BA00EP	INVERTER BRACKET	1	
25	F66629W40HP	GROUNDING PLATE	1	
27	\triangle F62306V60BP	FUSE	1	10A
29	F63266S30XP	TURNTABLE MOTOR	1	
30	\triangle F900C9V30QP	AC CORD W/PLUG	1	
31	\triangle F61459V00XP	THERMAL CUTOUT	1	130°C OPEN, -20°C CLOSE
32	F21766S10XP	SEAL	1	
33	F2034BA00EP	FRONT PLATE BRACKET	1	
34	F6726BA00EP	LED COVER	1	
39	\triangle F607XBA30ZP	NOISE FILTER (U)	1	
44	XTWFL4+12T	SCREW	2	FOR MAGNETRON
45	XTWBF4+8D	SCREW	4	FOR CABINET BODY
46	XTWFA4+12LR	SCREW	2	FOR HINGE A
48	F30069V00XP	HINGE A	1	
50	F0157BA30SQP	NAME PLATE	1	SD381S
50	F0157BA50SQP	NAME PLATE	1	SD351M
56	F0334BA30QP	MENU LABEL	1	

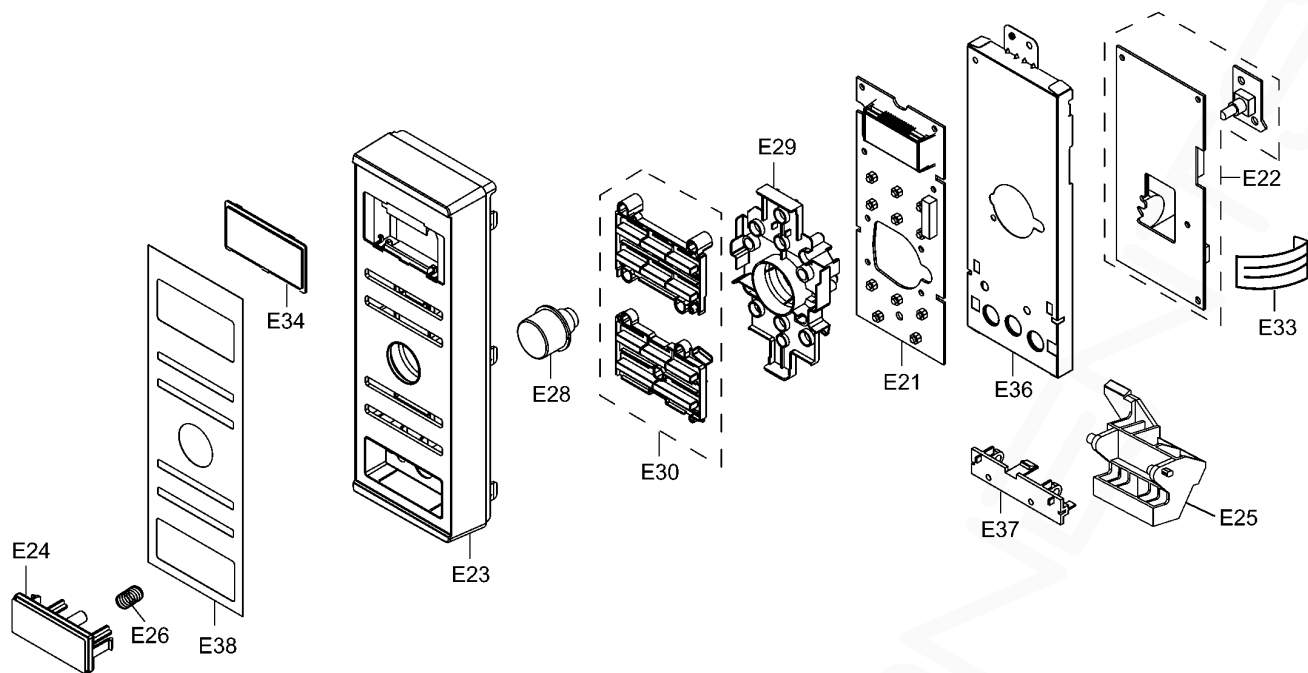
10.3. ESCUTCHEON BASE ASSEMBLY

10.3.1. NN-SD381S



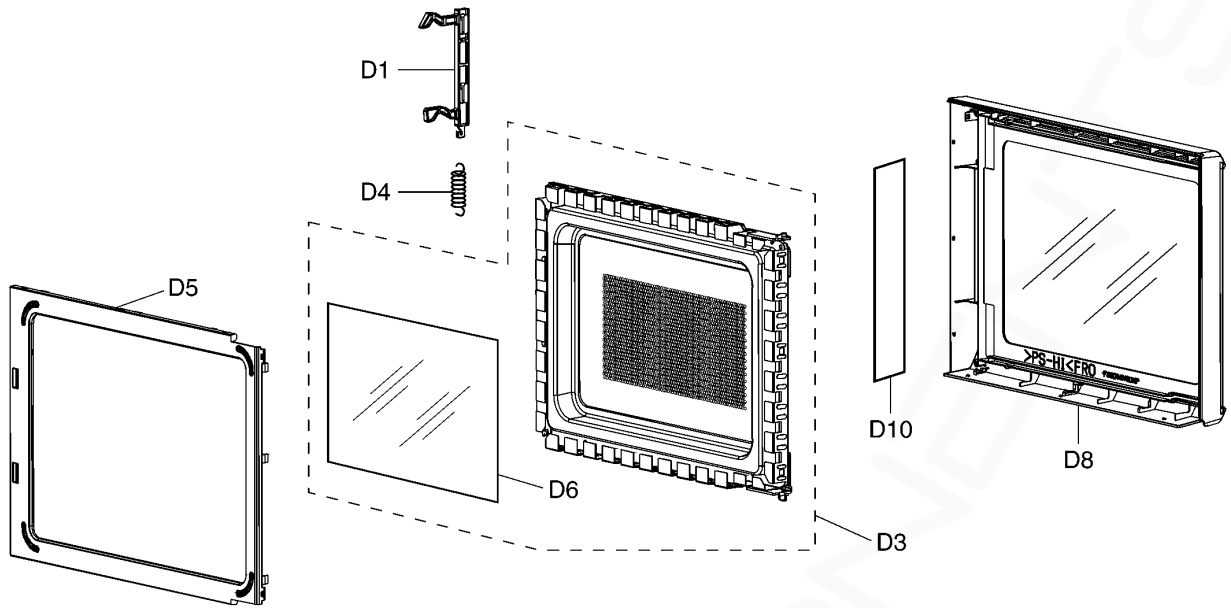
Ref. No.	Part No.	Part Name & Description	Pcs/Set	Remarks
E1	F603LBA30QP	D.P.CIRCUIT (AU)	1	
E2	F603YBA00BP	D.P.CIRCUIT (DU)	1	
E3	F800LBA30SQP	ESCUTCHEON BASE (U)	1	SD381S
E4	F891PBA00SEP	DOOR OPENING BUTTON (U)	1	SD381S
E5	F8256BA00EP	DOOR OPENING LEVER	1	
E6	F80375K00AP	COOK BUTTON SPRING	1	
E7	F9009BA00EP	GROUNDING PANEL	1	SD381S
E8	F803GBA00SEP	POP-OUT DIAL (U)	1	SD381S
E9	F8018BA00EP	DIAL SUPPORT	1	
E10	F8298BA00SBP	BUTTON	1	SD381S
E13	F66168J00XP	FLAT CABLE	1	

10.3.2. NN-SD351M



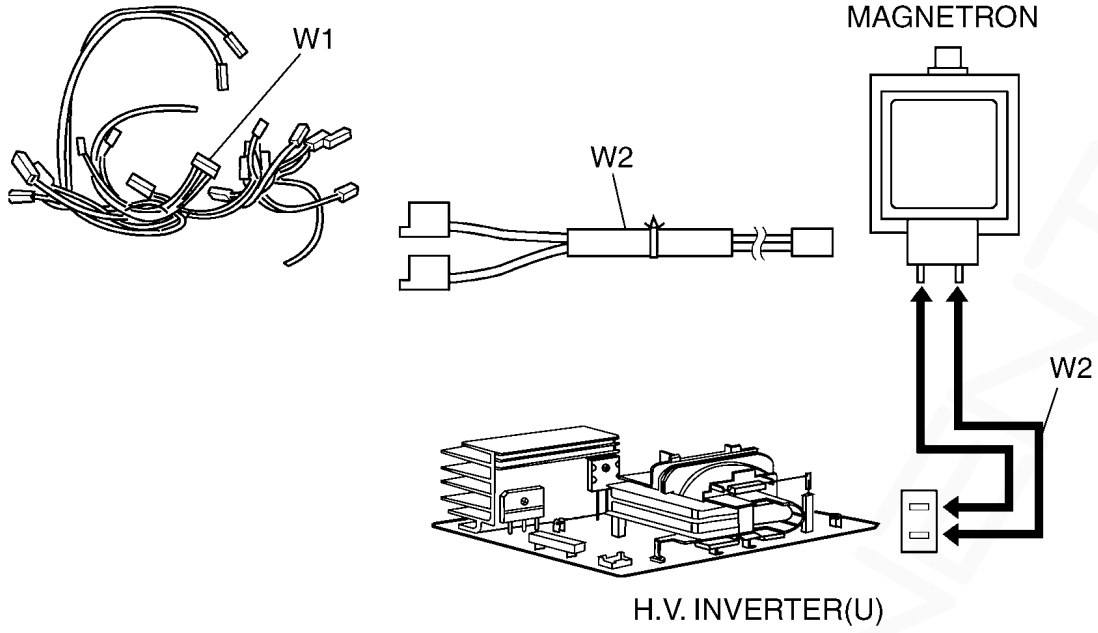
Ref. No.	Part No.	Part Name & Description	Pcs/Set	Remarks
E21	F603LBA30QP	D.P.CIRCUIT (AU)	1	
E22	F603YBA00BP	D.P.CIRCUIT (DU)	1	
E23	F8034BA10SBP	ESCUTCHEON BASE	1	SD351M
E24	F891PBA40BZP	DOOR OPENING BUTTON (U)	1	SD351M
E25	F8256BA00EP	DOOR OPENING LEVER	1	
E26	F80375K00AP	COOK BUTTON SPRING	1	
E28	F803G9M60SBP	POP-OUT DIAL (U)	1	SD351M
E29	F8018BA00EP	DIAL SUPPORT	1	
E30	F8298BA10SBP	BUTTON	1	SD351M
E33	F66168J00XP	FLAT CABLE	1	
E34	F8126BA50QP	DISPLAY WINDOW	1	SD351M
E36	F8127BA10BP	BACK PANEL	1	SD351M
E37	F8257BA10BP	LEVER BRACKET	1	SD351M
E38	F8337BA50BQP	MEMBRANE SHEET	1	SD351M

10.4. DOOR ASSEMBLY



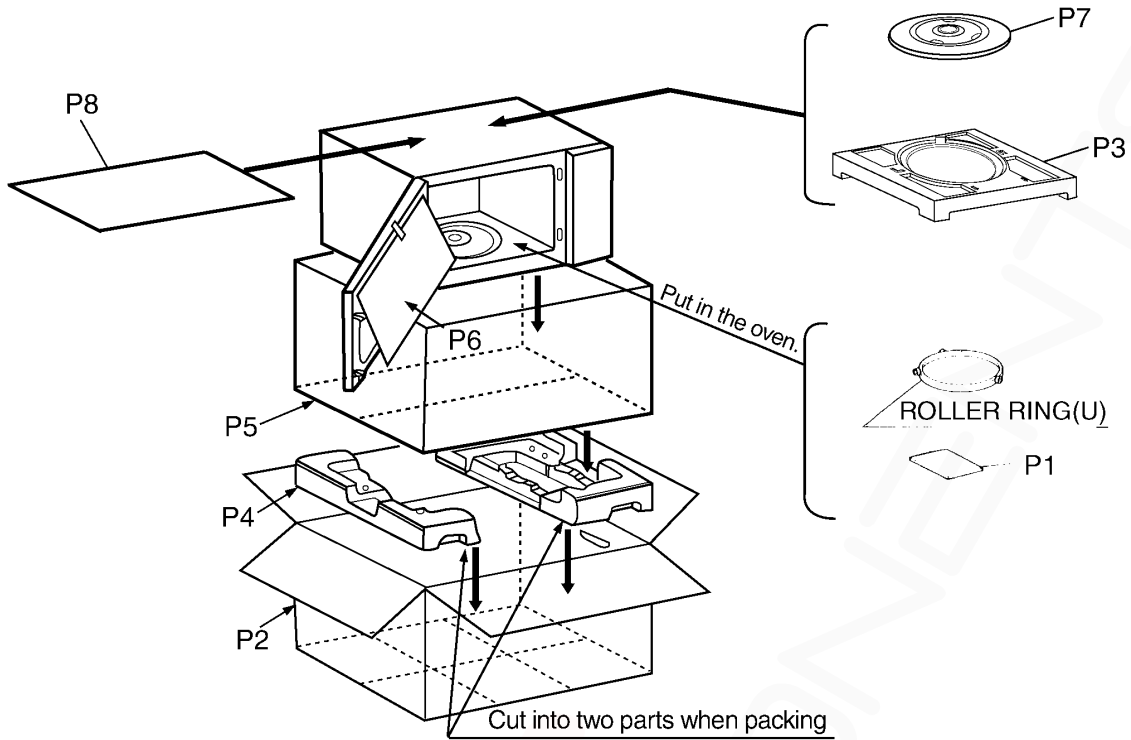
Ref. No.		Part No.	Part Name & Description	Pcs/Set	Remarks
D1		F30189V00XP	DOOR KEY A	1	
D3	△	F302KBA00EP	DOOR E (U)	1	
D4		F30215G10XN	DOOR KEY SPRING	1	
D5	△	F30859V00XP	DOOR C	1	
D6	△	F3145BA00EP	DOOR SCREEN A	1	
D8	△	F302ABA00SEP	DOOR A (U)	1	SD381S
D8	△	F302ABA40SZP	DOOR A (U)	1	SD351M
D10		F01726V00JP	CAUTION LABEL B	1	

10.5. WIRING MATERIALS



Ref. No.	Part No.	Part Name & Description	Pcs/Set	Remarks
W1	F030ABA30ZP	LEAD WIRE HARNESS	1	
W2	F030EBA00EP	H.V. LEAD WIRE	1	

10.6. PACKING AND ACCESSORIES



Ref. No.	Part No.	Part Name & Description	Pcs/Set	Remarks
P1	F0003BA30QP	INSTRUCTION MANUAL	1	
P2	F0102BA30SQP	PACKING CASE, PAPER	1	SD381S
P2	F0102BA50SQP	PACKING CASE, PAPER	1	SD351M
P3	F01049V00XP	UPPER FILLER	1	
P4	F01059V00XP	LOWER FILLER	1	
P5	F01068100XN	P.E.BAG	1	
P6	F01075G10XN	DOOR SHEET	1	
P7	A0601BA00EP	COOKING TRAY	1	
P8	F01924T00AP	SHEET	1	