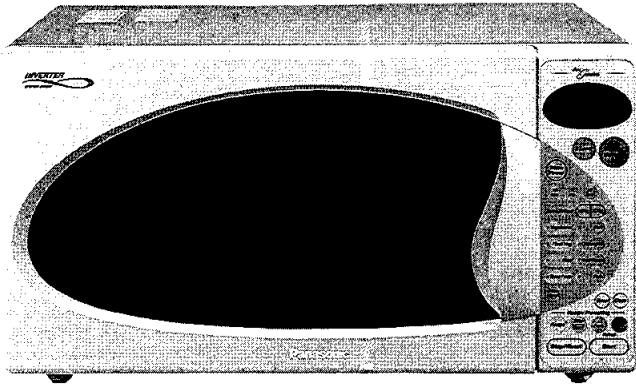


Service Manual

Microwave Oven



MODELS	QPQ	JPG	VPE
NN-S759BA	○	—	—
NN-S759WA	○	○	○
NN-S769BA	○	○	—
NN-S769WA	○	—	○
NN-S789WA	○	○	—
NN-S989WA	○	○	—

Models sold in these markets:

QPQ - Australia

JPG - New Zealand

VPE - South Africa

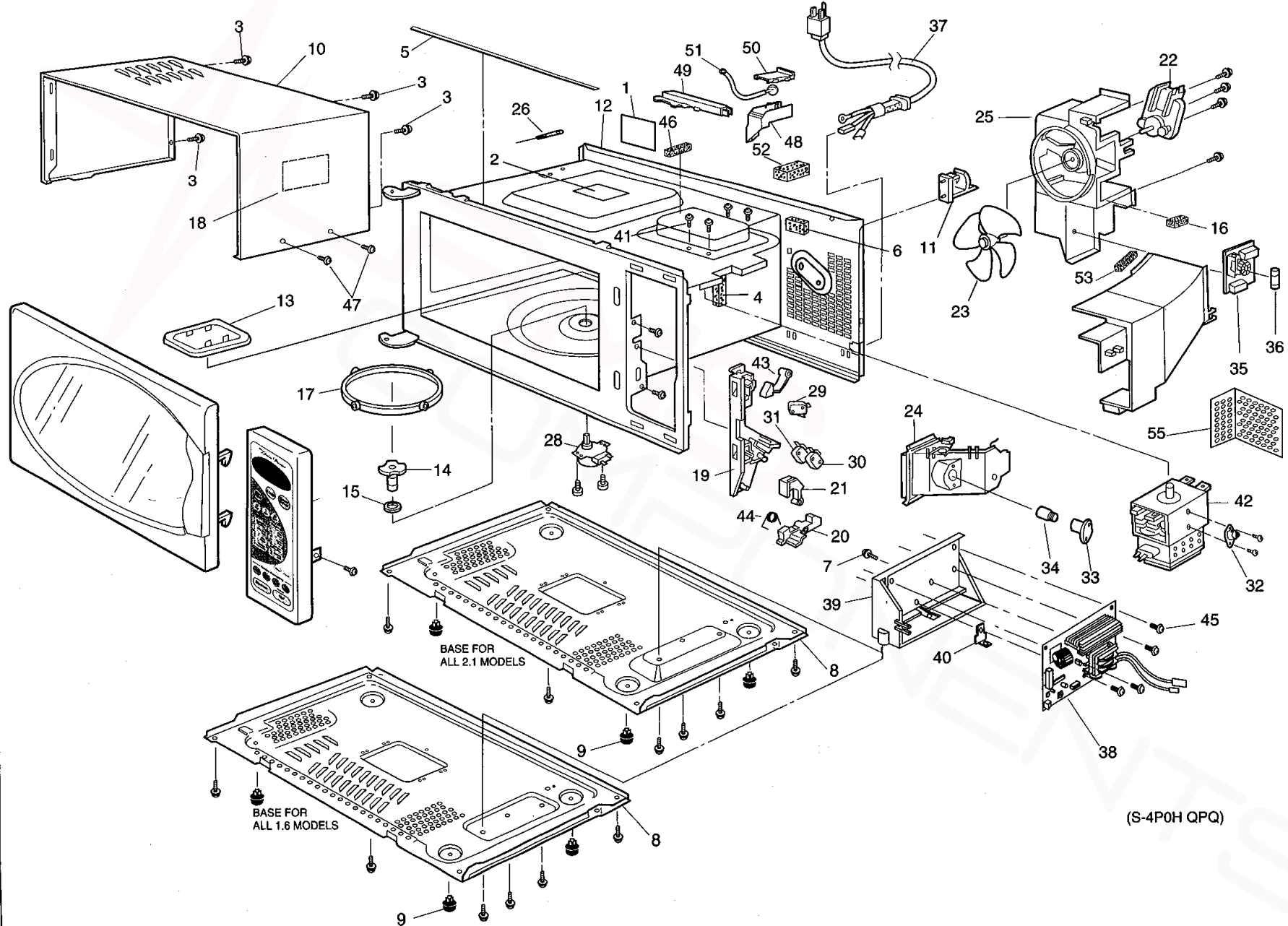
Specifications:

Models:	NN-S759BA, NN-S759WA, NN-S769BA, NN-S769WA, NN-S789WA MODELS	NN-S989WA MODELS
Power Source:	240 V AC Single Phase, 50 Hz ***** For QPQ Models 230 V AC Single Phase, 50 Hz ***** For JPG Models 220 V AC Single Phase, 50 Hz ***** For VPE Models	
Power Requirements:	1350W (6.0A)***QPQ/JPG Models	1350W (6.0A)***QPQ/JPG Models
Power Requirements:	1310W (6.2A)***VPE Models	
Output: (IEC705-88)	1100W	1100W
Microwave Frequency:	2,450MHz	2,450MHz
Timer:	99 min. 90 sec. (Except 30 min. 00 sec. on High setting)	99 min. 99 sec.
Oven Cavity Size:	1.6 cu. ft.	2.1 cu. ft.
Outside Dimensions:	21 ⁷ / ₈ " (W) X 18 ⁷ / ₈ " (D) X 11 ¹⁵ / ₁₆ " (H) 555mm (W) X 480mm (D) X 304mm (H)	23 ⁷ / ₈ " (W) X 18 ⁷ / ₈ " (D) X 14" (H) 606mm (W) X 480mm (D) X 356mm (H)
Oven Cavity Dimensions:	16 ⁷ / ₁₆ " (W) X 8 ¹ / ₂ " (D) X 9" (H) 418mm (W) X 470mm (D) X 228mm (H)	18 ⁷ / ₁₆ " (W) X 18 ¹ / ₂ " (D) X 10 ¹¹ / ₁₆ " (H) 469mm (W) X 470mm (D) X 271mm (H)
Weight:	32 lbs/14.4 kg	35 lbs/15.6 kg
Inverter Power Supply		
Output power: IEC705-88 Test procedure		
Specifications subject to change without notice		

Panasonic®

© 1999 Matsushita Electric Industrial Co., Ltd.
All rights reserved. Unauthorized copying and
distribution is a violation of law.

EXPLODED VIEW AND PARTS LIST



(S-4P0H QPQ)

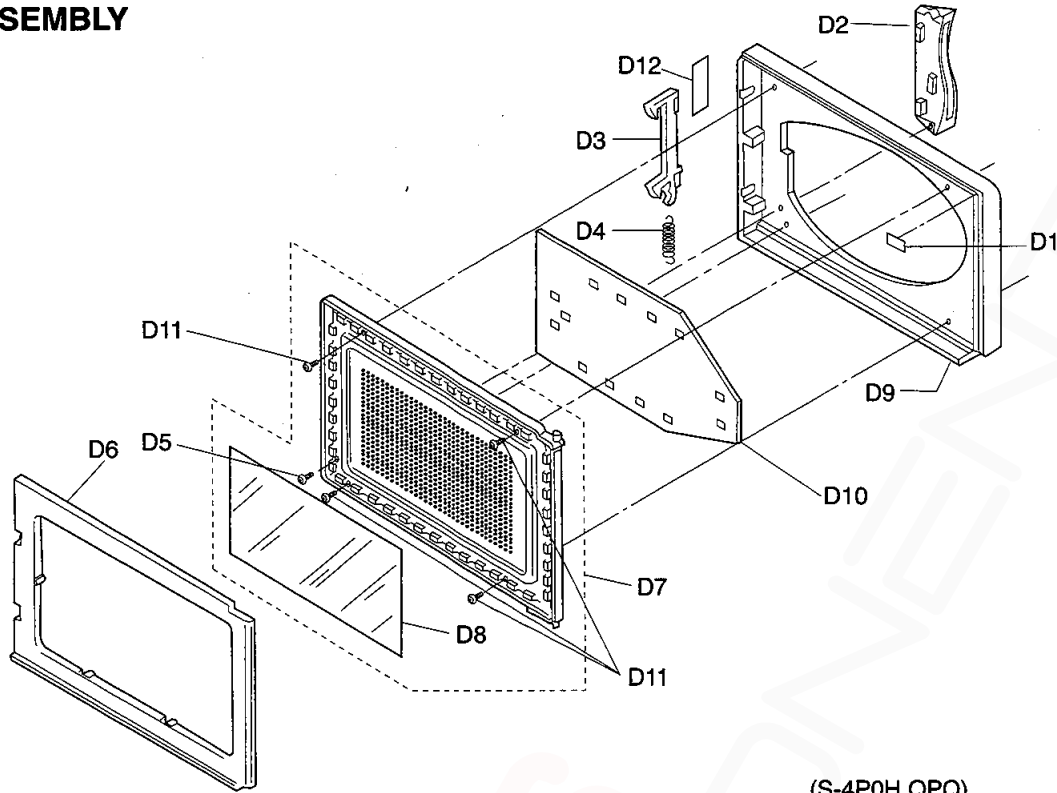
PARTS LIST

- NOTES: • When ordering replacement part(s), please use part number(s) shown in this parts list.
Do not use description of the part.
- Important safety notice:
Components identified by Δ mark have special characteristics important for safety.
When replacing any of these components, use only manufacturer's specified parts.
 - Items marked * supplied by MMOC (MAC). (U.S.A.)
 - Items marked # are new Part No's. for Pre I.G. (Initial Guidance) list.

Ref.No.	Part No.	Part Name & Description	Pcs/Set	Remarks
*1	B00065460JP	CAUTION LABEL	1	
*2	B03478250AP	COVER SHEET	1	
*3	XTW4-12D	SCREW	4	
*4	AMQ0924000AH	CUSHION RUBBER A	1	
*5	B19314P00AP	SPACER	1	
*6	AMQ0902000FD	CUSHION RUBBER A	1	
*7	XTW3+18B	INVERTER GROUNDING SCREW	1	
*8	B10014P00AP	BASE / 1.6	1	
*8	B10014M00AP	BASE / 2.1	1	
*9	B10088250AP	RUBBER FOOT	4	
*10	B10094P00QP	CABINET BODY / BLACK / 1.6	1	NN-S759BAQPQ, NN-S769BAQPQ/JPG
*10	B10094P00HQP	CABINET BODY / WHITE / 1.6	1	ALL NN-S759WA/S769WA/S789WA MODELS
*10	B10094M00HQP	CABINET BODY / WHITE / 2.1	1	NN-S989WAQPQ/JPG
*11	B11408760AP	STOPPER A	1	
*12	Δ B200A4P00AP	OVEN / 1.6	1	ALL 1.6 MODELS
*12	Δ B200A4M00AP	OVEN / 2.1	1	ALL 2.1 MODELS
*13	B20554M00AP	CEILING COVER	1	
*14	B21315540AP	PULLEY SHAFT	1	
*15	B21777050AP	WASHER	1	
*16	B80255950AP	ESCUTCHEON CUSHION	1	
*17	B290D4M00AP	ROLLER RING (U)	1	
*18	B60704760JP	INSULATION SHEET	1	
*19	Δ B3020-1480	DOOR HOOK A	1	
*20	B3137-1480	HOOK SPACER B	1	
*21	B3138-1480	HOOK SPACER C	1	
*22	2Z-9AUA.S.	FAN MOTOR	1	(120V, 24W, AC, SINGLE PHASE)
*23	B40084M00AP	FAN BLADE	1	
*24	B40254M00AP	AIR GUIDE A	1	
*25	B41444M00AP	ORIFICE	1	
*26	Δ B03534M00AP	TEMP SENSOR W/LEAD WIRE	1	
*27	B40264M00AP	AIR GUIDE B	1	
*28	A63268960JP	TURNTABLE MOTOR	1	(3W)
*29	Δ ANE6142-1450	MICRO SWITCH	1	(V-16G-3C26-M) PRIMARY LATCH SWITCH
*30	Δ A61425180AP	MICRO SWITCH	1	(L-3C2-2) SECONDARY LATCH SWITCH
*31	Δ A61785180AP	MICRO SWITCH	1	(L-2C2-2) SHORT SWITCH
*32	Δ B61454M00AP	THERMAL CUTOFF (MAGNETRON)	1	
*33	Δ B61524740AQ	SOCKET	1	
*34	B60304080BP	INCANDESCENT LAMP	1	
*35	Δ A692Y4M00QP	NOISE FILTER (U)	1	
*36	Δ B63317550GP	FUSE	1	(10A)
*37	Δ B910C4760QP	AC CORD W/ PLUG	1	ALL QPQ/JPG MODELS
*37	Δ B910C5500VN	AC CORD W/ PLUG	1	ALL VPE MODELS
*38	Δ A606Y4J21QP	H. V. INVERTER(U)	1	ALL QPQ/JPG MODELS
*38	Δ A606Y4J00XN	H. V. INVERTER(U)	1	ALL VPE MODELS
*39	B65854M00AP	INVERTER BRACKET A	1	
*40	B66624M00AP	GROUNDING PLATE	1	
*41	XTF5+AF10	SCREW	4	(4X8) FOR MAGNETRON
*42	Δ 2M236-M42E2	MAGNETRON	1	
*43	B3136-1480	HOOK SPACER A	1	
*44	J3097-1480	LATCH SPRING	1	
*45	XTW4+12T	SCREW	4	
*46	B0922000CH	CUSHION	1	
*47	XTT4+12BFZ	SCREW	2	MODELS WITH BLACK OUTER PANEL

Ref.No.	Part No.	Part Name & Description	Pcs/Set	Remarks
*47	XTT4+12BC	SCREW	2	MODELS WITH WHITE OR ALMOND OUTER PANEL
*48	B64498660AP	SENSOR COVER A	1	ALL NN-S769/S789/S989 MODELS
*49	B64508660AP	SENSOR COVER B	1	ALL NN-S769/S789/S989 MODELS
*50	B65438660AP	SENSOR COVER C	1	ALL NN-S769/S789/S989 MODELS
*51	A607S4M00AP	STEAM SENSOR	1	ALL NN-S769/S789/S989 MODELS
*52	AMQ0908000AE	CUSHION RUBBER A	1	ALL NN-S769/S789/S989 MODELS
*53	AMQ0922000AD	CUSHION	1	ALL NN-S769/S789/S989 MODELS
54	A6901-1170	FERRITE CORE	1	
*55	B40964M00CP	FARADAY CAGE		ALL NN-S989 MODELS
*55	B40964P00QP	FARADAY CAGE	1	ALL NN-S759/S769/S789 MODELS
*	B08878640AP	TOUCH-UP PAINT (BLACK)	1	BOTTLE WITH BRUSH, FOR REPAIR OF PAINTED CABINET BODY
*	B08878640HAP	TOUCH-UP PAINT (WHITE)	1	BOTTLE WITH BRUSH, FOR REPAIR OF PAINTED CABINET BODY
*	B0887705AAP	CAVITY SPRAY PAINT	1	SPRAY CAN, FOR REPAIR OF PAINTED OVEN CAVITY
*	B0887700AAP	TOUCH-UP PAINT	1	BOTTLE WITH BRUSH, FOR REPAIR OF PAINTED OVEN CAVITY

DOOR ASSEMBLY

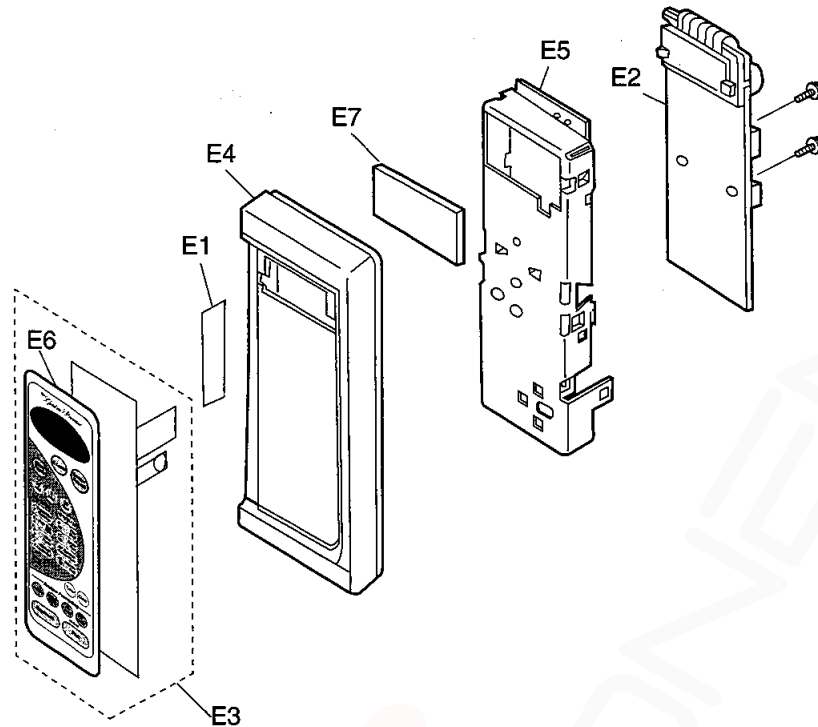


(S-4P0H QPQ)

Ref.No.	Part No.	Part Name & Description	Pcs/Set	Remarks
*D1	B32224P00AP	NEOPRENE 2 SIDED TAPE	1	LOCATED INSIDE TOP CORNER (HINGE SIDE) OF DOOR A
*D2	B30124P00AP	DOOR HANDLE / BLACK / 1.6	1	NN-S759BAQPQ, NN-S769BAQPQ/JPG
*D2	B30124P00HAP	DOOR HANDLE / WHITE / 1.6	1	ALL NN-S759WA/S769WA/S789WA MODELS
*D2	B30124M00HAP	DOOR HANDLE / WHITE / 2.1	1	NN-S989WAQPQ/JPG
*D3	B30188350AP	DOOR KEY A	1	
*D4	B30214000AP	DOOR KEY SPRING	1	
*D5	XTNANE3+14G	SCREW	1	
*D6	△ B30854P00AP	DOOR C / BLACK / 1.6	1	ALL NN-S759/S769/S789 MODELS
*D6	△ B30854M00AP	DOOR C / BLACK / 2.1	1	NN-S989WAQPQ/JPG
*D7	△ B302K4P00QP	DOOR E (U) / BLACK / 1.6	1	ALL NN-S759/S769/S789 MODELS
*D7	△ B302K4M00QP	DOOR E (U) / BLACK / 2.1	1	NN-S989WAQPQ/JPG
*D8	△ B31454P00AP	DOOR SCREEN A / 1.6	1	ALL NN-S759/S769/S789 MODELS
*D8	△ B31454M00AP	DOOR SCREEN A / 2.1	1	NN-S989WAQPQ/JPG
*D9	△ B301A4P00AP	DOOR A (U) / BLACK / 1.6	1	NN-S759BAQPQ, NN-S769BAQPQ/JPG (NOTE 1)
*D9	△ B301A4P00HAP	DOOR A (U) / WHITE / 1.6	1	ALL NN-S759WA/S769WA/S789WA MODELS (NOTE 1)
*D9	△ B301A4M00HAP	DOOR A (U) / WHITE / 2.1	1	NN-S989WAQPQ/JPG (NOTE 1)
*D10	△ B31464P00AP	DOOR SCREEN B / 1.6	1	ALL NN-S759/S769/S789
*D10	△ B31464M00AP	DOOR SCREEN B / 2.1	1	NN-S989WAQPQ/JPG
*D11	XTW3+6Q	SCREW	4	
*D12	△ B01726210JP	CAUTION LABEL	1	ALL JPG MODELS

NOTE 1: Please order Door A and Caution Label together.

ESCUTCHEON BASE ASSEMBLY

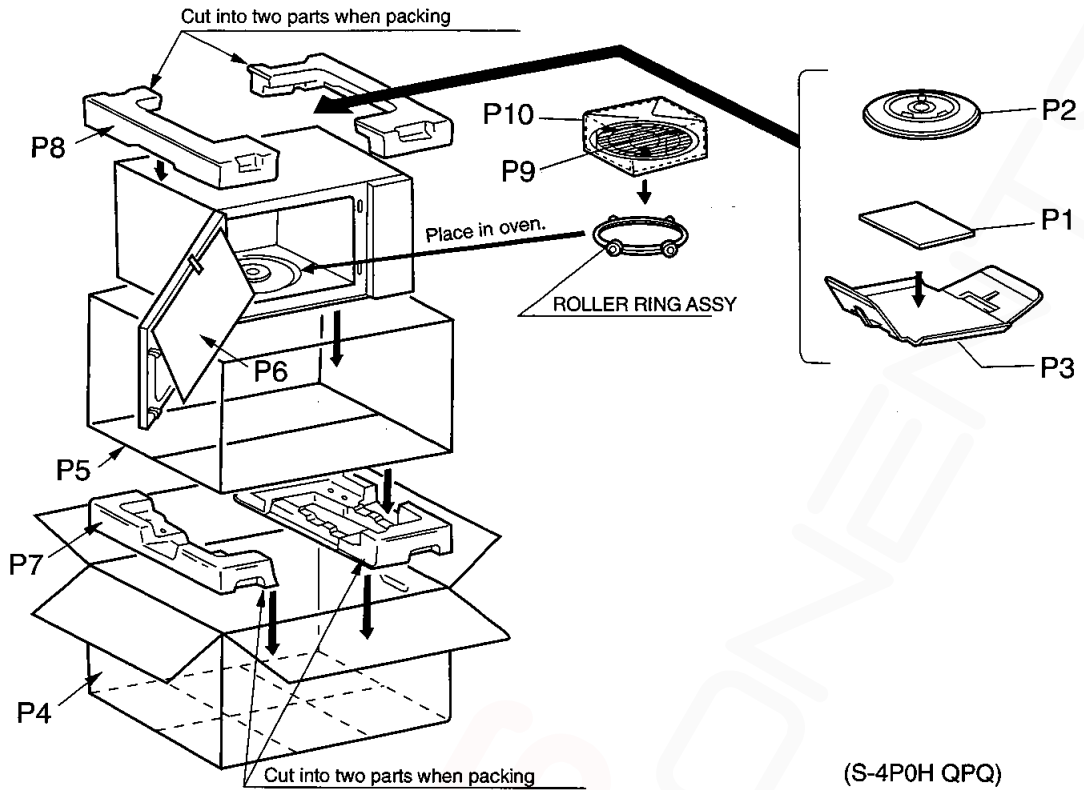


(S-4P0H QPQ)

Ref.No.	Part No.	Part Name & Description	Pcs/Set	Remarks
*E1	B00079330QP	NAME PLATE	1	ALL QPQ MODELS
*E1	B00078940HQP	NAME PLATE	1	ALL JPG/VPE MODELS
*E2#	B603L4P20QP	D. P. CIRCUIT (U)	1	NN-S759BAQPQ, NN-S759WAQPQ RTL (W/COMPONENTS)
*E2#	B603L4P20JP	D. P. CIRCUIT (U)	1	NN-S759WAJPG RTL (W/COMPONENTS)
*E2#	B603L4P20VP	D. P. CIRCUIT (U)	1	NN-S759WAVPE RTL (W/COMPONENTS)
*E2#	B603L4P10QP	D. P. CIRCUIT (U)	1	NN-S769BAQPQ, NN-S769WAQPQ RTL (W/COMPONENTS)
*E2#	B603L4P10JP	D. P. CIRCUIT (U)	1	NN-S769BAJPG RTL (W/COMPONENTS)
*E2#	B603L4P10VP	D. P. CIRCUIT (U)	1	NN-S769WAVPE RTL (W/COMPONENTS)
*E2#	B603L4P00QP	D. P. CIRCUIT (U)	1	NN-S789WAQPQ RTL (W/COMPONENTS)
*E2#	B603L4P00JP	D. P. CIRCUIT (U)	1	NN-S789WAJPG RTL (W/COMPONENTS)
*E2#	B603L4M00QP	D. P. CIRCUIT (U)	1	NN-S989WAQPQ RTL (W/COMPONENTS)
*E2#	B603L4M00JP	D. P. CIRCUIT (U)	1	NN-S989WAJPG RTL (W/COMPONENTS)
*E3#	B630Y4P20QP	MEMBRANE SWITCH (U)	1	NN-S759BAQPQ (W/ESCUTCHEON SHEET)
*E3#	B630Y4P20HQP	MEMBRANE SWITCH (U)	1	NN-S759WAQPQ/JPG/VPE (W/ESCUTCHEON SHEET)
*E3#	B630Y4P10QP	MEMBRANE SWITCH (U)	1	NN-S769BAQPQ/JPG (W/ESCUTCHEON SHEET)
*E3#	B630Y4P10HQP	MEMBRANE SWITCH (U)	1	NN-S769WAQPQ/VPE (W/ESCUTCHEON SHEET)
*E3#	B630Y4P00HQP	MEMBRANE SWITCH (U)	1	NN-S789WAQPQ/JPG (W/ESCUTCHEON SHEET)
*E3#	B630Y4M00HQP	MEMBRANE SWITCH (U)	1	NN-S989WAQPQ/JPG (W/ESCUTCHEON SHEET)
*E4	B80344P00AP	ESCUTCHEON BASE / 1.6	1	NN-S759BAQPQ, NN-S769BAQPQ/JPG (NOTE 2)
*E4	B80344P00HAP	ESCUTCHEON BASE / 1.6	1	ALL NN-S759WA/S769WA/S789WA MODELS (NOTE2)
*E4	B80344M00HAP	ESCUTCHEON BASE / 2.1	1	NN-S989WAQPQ/JPG (NOTE 2)
*E5	B81274M00AP	BACK PLATE	1	
*E6#	B83374P20QP	ESCUTCHEON SHEET / 1.6	1	NN-S759BAQPQ
*E6#	B83374P20HQP	ESCUTCHEON SHEET / 1.6	1	NN-S759WAQPQ/JPG/VPE
*E6#	B83374P10QP	ESCUTCHEON SHEET / 1.6	1	NN-S769BAQPQ/JPG
*E6#	B83374P10HQP	ESCUTCHEON SHEET / 1.6	1	NN-S769WAQPQ/VPE
*E6#	B83374P00HQP	ESCUTCHEON SHEET / 1.6	1	NN-S789WAQPQ/JPG
*E6#	B83374M00HQP	ESCUTCHEON SHEET / 2.1	1	NN-S989WAQPQ/JPG
*E7	B80024M00AP	DISPLAY LENS	1	

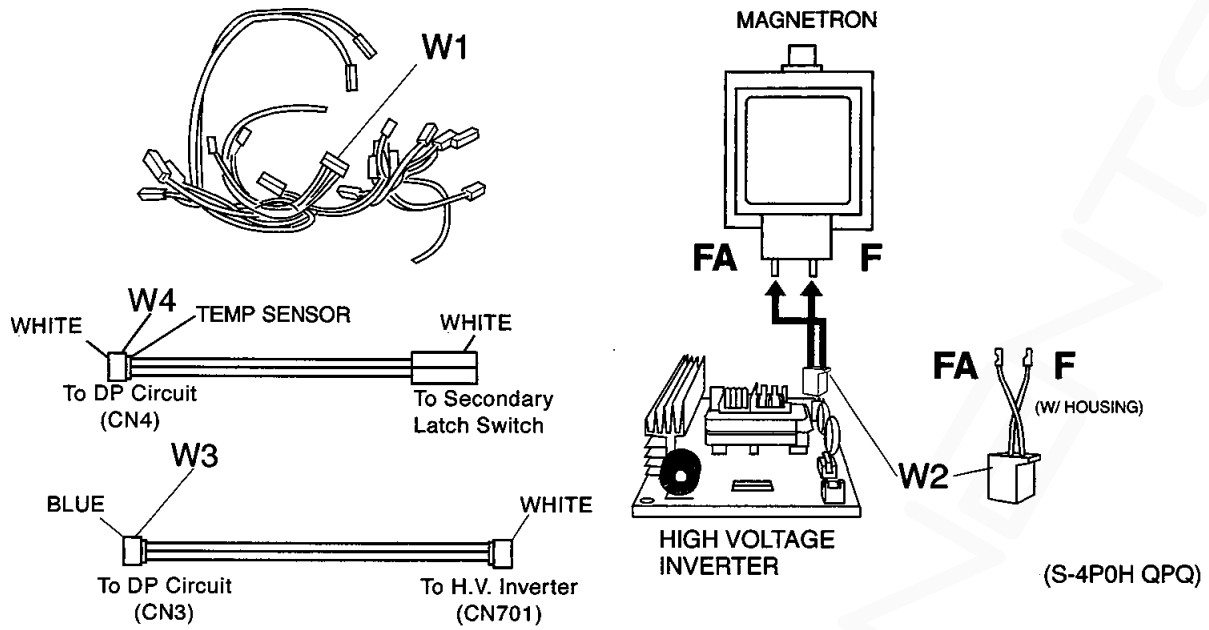
NOTE 2: Please order Escutcheon Base and Name Plate together.

PACKING AND ACCESSORIES



Ref.No.	Part No.	Part Name & Description	Pcs/Set	Remarks
*P1#	B00034M00QP	INSTRUCTION MANUAL	1	
*P2	A06014A00AP	COOKING TRAY / 1.6	1	ALL 1.6 MODELS
*P2	A06014M00AP	COOKING TRAY / 2.1	1	NN-S989WAQPQ/JPG
*P3	B02214P00AP	UPPER SUPPORT PACKING / 1.6	1	ALL 1.6 MODELS
*P3	B02214M00AP	UPPER SUPPORT PACKING / 2.1	1	NN-S989WAQPQ/JPG
*P4#	B010A4P30AP	CARTON ASSY / 1.6	1	ALL 1.6 MODELS
*P4#	B010A4M30AP	CARTON ASSY / 2.1	1	NN-S989WAQPQ/JPG
*P5	B01064M00AP	P. E. BAG	1	
*P6	B01074M00AP	DOOR SHEET	1	
*P7	B01054M00AP	LOWER FOAM FILLER	1	
*P8	B01044M00AP	UPPER FOAM FILLER	1	
*P9	B060X4P00AP	2 LEVEL RACK ASSY / 1.6	1	ALL 1.6 MODELS
*P9	B060X4M00AP	2 LEVEL RACK ASSY / 2.1	1	NN-S989WAQPQ/JPG
	B07064P00AP	2ND LEVEL RACK ONLY / 1.6	1	ALL 1.6 MODELS
	B07064M00AP	2ND LEVEL RACK ONLY / 2.1	1	NN-S989WAQPQ/JPG
	B06434P00AP	RACK SUPPORT ONLY / 1.6	3	ALL 1.6 MODELS
	B06434M00AP	RACK SUPPORT ONLY / 2.1	3	NN-S989WAQPQ/JPG
*P10#	B01084P00AP	2ND LEVEL RACK DIE CUT / 1.6	1	ALL 1.6 MODELS
*P10#	B01084M00AP	2ND LEVEL RACK DIE CUT / 2.1	1	NN-S989WAQPQ/JPG

WIRING MATERIALS



Ref.No.	Part No.	Part Name & Description	Pcs/Set	Remarks
*W1	B030A4P00QP	LEAD WIRE HARNESS	1	ALL 1.6 MODELS
*W1#	B030A4M00QP	LEAD WIRE HARNESS	1	ALL 2.1 MODELS
*W2	B03504M00AP	H.V. LEAD WIRE (INVERTER)	1	ALL 1.6 MODELS
*W2	B03504M00QP	H.V. LEAD WIRE (INVERTER)	1	ALL 2.1 MODELS
*W3	B03524M00AP	L.V. LEAD WIRE (INVERTER)	1	
*W4	B03534M00AP	LEAD WIRE	1	