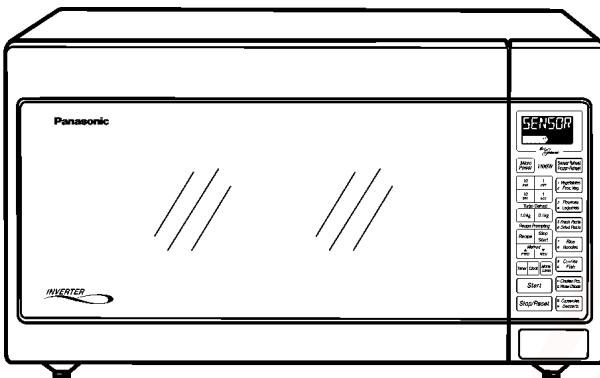


Service Manual

Microwave Oven

Simplified



NN-T794AF
NN-T784SF
NN-T704QF
NN-T774SF
NN-S784BF
NN-S784WF
NN-S754BF
NN-S754WF

QPQ(Australia & New Zealand)

Please file and use this manual together with the service manual for Model NN-S560WF (ORDER NO. SIMMC0006012C3)

Specifications:

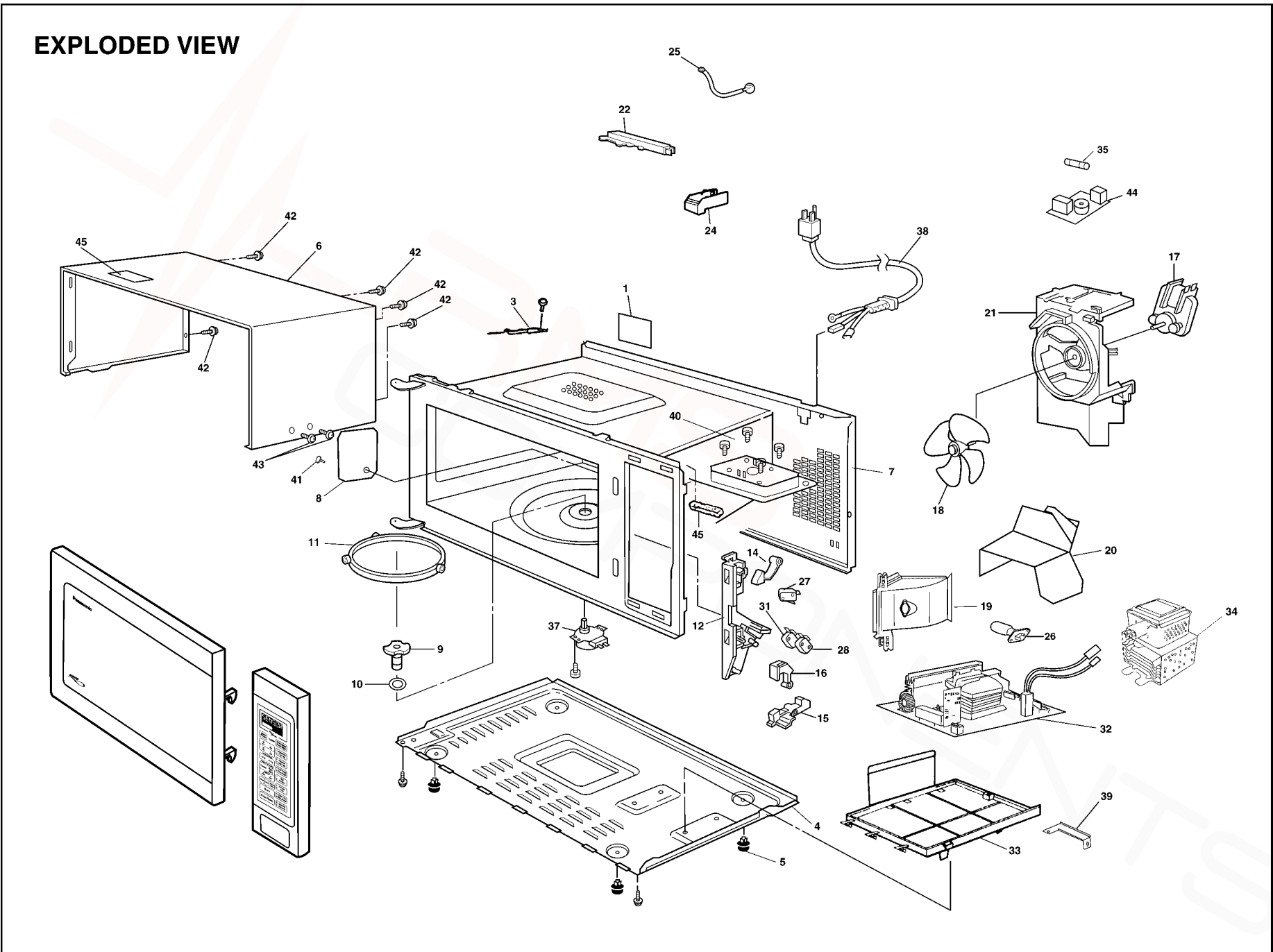
Specifications:	Models:	T794AF	T784SF	T704QF	T774SF	S784BF/WF	S754BF/WF
Power Source:	230V-240V AC Single Phase, 50Hz						
Power Requirement:	1150W	1150W	1150W	1150W	1150W	1150W	1150W
Output:	1100W	1100W	1100W	1100W	1100W	1100W	1100W
Microwave Frequency:	2450MHz						
Timer:	30 min. /Stage (HIGH Power) - 5 Stage Maximum 99 min. 99 sec. /Stage (Other Power Levels) - 5 Stage Maximum						
Outside Dimensions:	555mm(W) X 493mm(D) X304mm(H)						
Oven Cavity Dimensions:	418mm(W) X 470mm(D) X 228mm(H)						
Weight:	14.3 kg						
PbF	This product with PbF						
Specifications subject to change without notice.							

Panasonic®

© 2004 Panasonic Home Appliances Microwave Oven (Shanghai) Co., Ltd. All rights reserved. Unauthorized copying and distribution is a violation of law.

4 EXPLODED VIEW AND PARTS LIST

4.1. EXPLODED VIEW



EXPLODED VIEW

4.2. PARTS LIST

NOTE:

1. When ordering replacement part(s), please use part number(s) shown in this part list.

Do not use description of the part.

2. Important safety notice:

Components identified by mark have special characteristics important for safety.

When replacing any of these components, use only manufacture's specified parts.

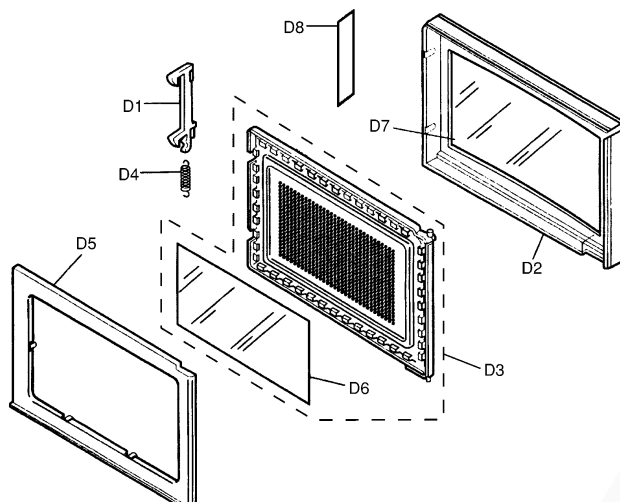
NOTE:

"A" parts are supplied by CSD (Japan)

"F" parts are supplied by PHAMOS (China)

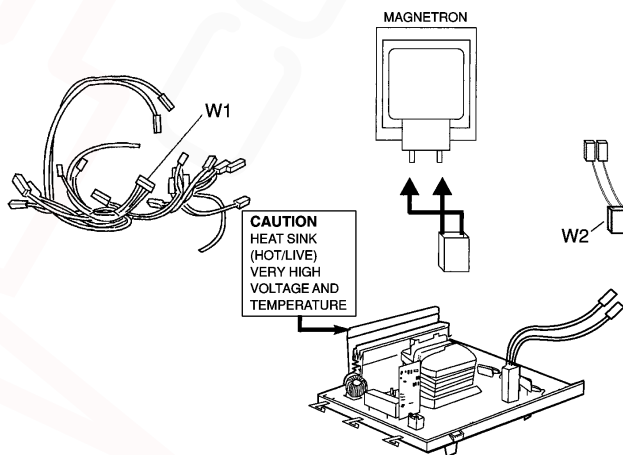
Ref. No.		Part No.	Part Name & Description	Pcs/Set	Remarks
1		F00066V00HP	CAUTION LABEL	1	
3		F03534W00QP	LEAD WIRE HARNESS	1	
4		F10014W00AP	BASE	1	
5		F10084T00AP	RUBBER FOOT	4	
6		F110D4W00BQP	CABINET BODY (U)	1	T794AF, T704QF, S784BF, S754BF
6		F110D6V00SQP	CABINET BODY (U)	1	T784SF
6		F110D6V10SQP	CABINET BODY (U)	1	T774SF
6		F110D4W00HQP	CABINET BODY (U)	1	S784WF, S754WF
7	△	F200A5X20AP	OVEN (U)	1	EXCEPT S754BF/WF
7	△	F200A5X30AP	OVEN (U)	1	S754BF/WF
8		F20555K00AP	COVER	1	
9		F21315Y00AP	PULLY SHAFT	1	
10		F2177-F80	WASHER	1	
11		F290D9330AP	ROLLER RING (U)	1	
12	△	F3020-1200	DOOR HOOK	1	
14		F3136-1200	HOOK LEVER A	1	
15		F31374650AP	HOOK LEVER B	1	
16		F31384650AP	HOOK LEVER C	1	
17		F400A6V00QP	FAN MOTOR	1	AC240V, SINGLE PHASE, 50Hz
18		F40084T00AP	FAN BLADE	1	
19		F40254W00AP	AIR GUIDE A	1	
20		F40264W00AP	AIR GUIDE B	1	
21		F41444W00AP	ORIFICE	1	
22		F64508660AP	SENSOR COVER B	1	EXCEPT S754BF/WF
24		F65434W00AP	SENSOR COVER C	1	EXCEPT S754BF/WF
25		A607S4M00AP	STEAM SENSOR	1	EXCEPT S754BF/WF
26		F612E4Y00XN	INCANDESCENT LAMP (U)	1	24V, 50Hz, 20W
27	△	J61424T00AP	MICRO SWITCH	1	(PRIMARY LATCH SWITCH) (V-15G-3C25)
28	△	J61414T00AP	MICRO SWITCH	1	(SECONDARY LATCH SWITCH) (D3V-16G-3C25)
31	△	J61784T00AP	MICRO SWITCH	1	(SHORT SWITCH) (D3V-1G-2C25)
32	△	F606Y4V00XN	H.V. INVERTER (U)	1	
33		F65854W00AP	INVERTER BRACKET A	1	
34	△	2M261-M32J	MAGNETRON	1	
35	△	A62304210BP	FUSE	1	10A/240V, 50Hz
37		F63265U30XN	TURNTABLE MOTOR	1	
38	△	F900C4W00QP	AC CORD W/PLUG	1	
39		F66624W00AP	GROUNDING PLATE	1	
40		XTWFA4+12T	SCREW	4	FOR MAGNETRON
41		F90804W00AP	CANOE CLIP	1	FOR COVER
42		XTWFA4+12D	SCREW	5	FOR CABINET BODY
43		XTTFA4+6BFZ	SCREW	2	FOR CABINET BODY SIDE (T794AF, T704QF)
43		XTTFA4+6BN	SCREW	2	FOR CABINET BODY SIDE (T784SF, T774SF)
43		XTTFA4+8BFZ	SCREW	2	FOR CABINET BODY SIDE (S784BF, S754BF)
43		XTTFA4+8BCR	SCREW	2	FOR CABINET BODY SIDE (S784WF, S754WF)
44		J692Y4T00QPR	NOISE FILTER	1	
45		F02445Y00AP	CAUTION LABEL	1	T784SF

4.3. DOOR ASSEMBLY



Ref. No.		Part No.	Part Name & Description	Pcs/Set	Remarks
D1		F3018-1200	DOOR KEY A	1	
D2	△	F302A5X10AAP	DOOR A (U)	1	T794AF QPQ
D2	△	F302A5X00SAP	DOOR A (U)	1	T784SF QPQ, T774SF QPQ
D2	△	F302A5X10QAP	DOOR A (U)	1	T704QF QPQ
D2	△	F30016V20BQP	DOOR A	1	S784BF, S754BF
D2	△	F30016V20HQP	DOOR A	1	S784WF, S754WF
D3	△	F302K4W00AP	DOOR E (U)	1	
D4		F30215G10XN	DOOR KEY SPRING	1	
D5	△	F30854W00AP	DOOR C	1	
D6	△	F31456V00XP	DOOR SCREEN A	1	
D7		F31465X00SAP	DOOR SCREEN B	1	T794AF, T784SF, T704QF
D7		F31465X70BAP	DOOR SCREEN B	1	T774SF
D7		F31466J00BAP	DOOR SCREEN B	1	S784BF/WF, S754BF/WF
D8		F01726V00JP	CAUTION LABEL B	1	

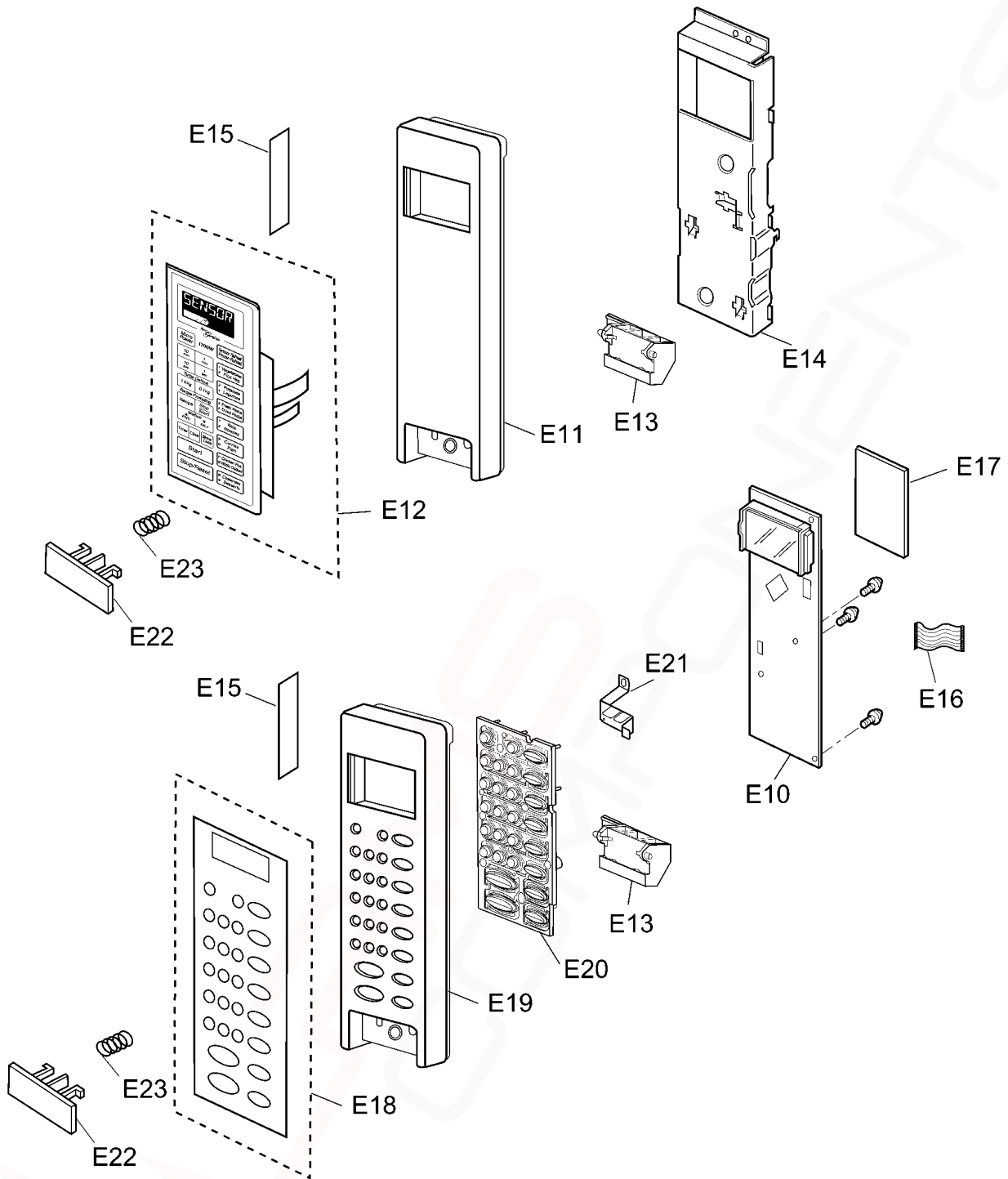
4.4. WIRING MATERIALS



Ref. No.		Part No.	Part Name & Description	Pcs/Set	Remarks
W1		F030A5T50QP	LEAD WIRE HARNESS	1	
W2		F030E6V00QP	H.V. LEAD WIRE	1	

4.5. ESCUTCHEON BASE ASSEMBLY

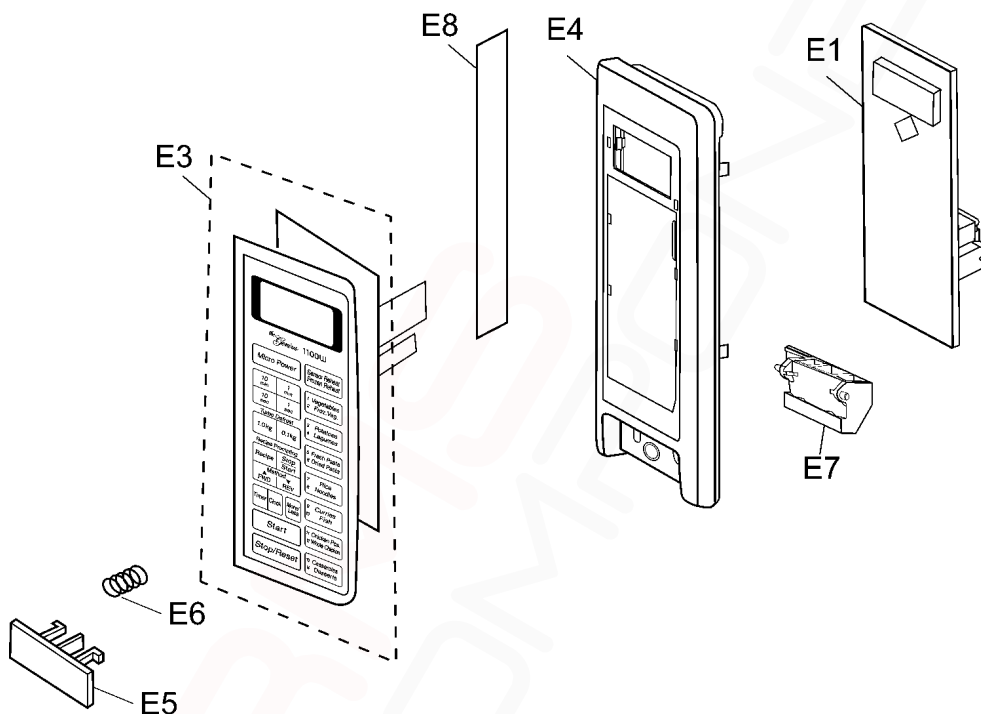
4.5.1. NN-T7*4



Ref. No.	Part No.	Part Name & Description	Pcs/Set	Remarks
E10	F608E6V00QP	D.P.CIRCUIT (ABU)	1	T794AF, T784SF, T704QF
E10	F603L6V10QP	D.P.CIRCUIT (AU)	1	T774SF
E11	F800L4W70BAP	CONTROL PANEL (AU)	1	T774SF
E12	F630Y6V10BQP	MEMBRANE SWITCH (U)	1	T774SF
E13	F82565X00AP	DOOR OPENING LEVEL	1	T794AF, T784SF, T704QF
E13	F82564W00AP	DOOR OPENING LEVEL	1	T774SF
E14	F81274W70AP	BACK PANEL	1	T774SF
E15	F00076V00AQP	NAME PLATE	1	T794AF
E15	F00076V00SQP	NAME PLATE	1	T784SF
E15	F00076V00QQP	NAME PLATE	1	T704QF
E15	F00076V10SQP	NAME PLATE	1	T774SF
E16	F66164W20AP	FLAT CABLE	1	T794AF, T784SF, T704QF
E17	F603Y6V00QP	D.P.CIRCUIT (DU)	1	T794AF, T784SF, T704QF

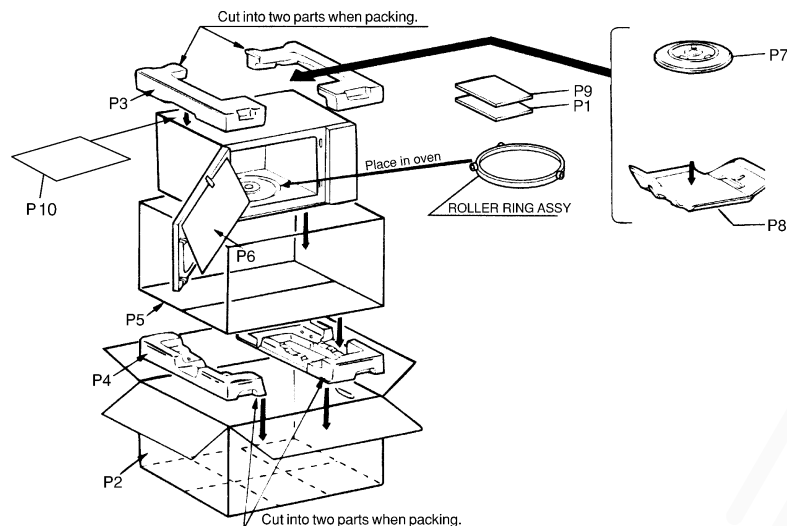
Ref. No.	Part No.	Part Name & Description	Pcs/Set	Remarks
E18	F83376V00SQP	MEMBRANE SHEET	1	T794AF, T784SF, T704QF
E19	F800L5X00AAP	CONTROL PANEL (AU)	1	T794AF
E19	F800L5X00BAP	CONTROL PANEL (AU)	1	T784SF
E19	F800L5X00QAP	CONTROL PANEL (AU)	1	T704QF
E20	F82985X00AP	BUTTON	1	T794AF, T784SF, T704QF
E21	F90095X00AP	GROUNDING PANEL	1	T794AF, T784SF, T704QF
E22	F80724W70AAP	DOOR OPENING BUTTON (U)	1	T794AF
E22	F80724W70SAP	DOOR OPENING BUTTON (U)	1	T784SF, T774SF
E22	F80724W70QAP	DOOR OPENING BUTTON (U)	1	T704QF
E23	F80375K00AP	COOK BUTTON SPRING	1	

4.5.2. NN-S7*4



Ref. No.	Part No.	Part Name & Description	Pcs/Set	Remarks
E1	F603L6V20QP	D.P.CIRCUIT (AU)	1	S784BF/WF
E1	F603L6V30QP	D.P.CIRCUIT (AU)	1	S754BF/WF
E3	F630Y6V20BQP	MEMBRANE SWITCH (U)	1	S784BF
E3	F630Y6V20HQP	MEMBRANE SWITCH (U)	1	S784WF
E3	F630Y6V30BQP	MEMBRANE SWITCH (U)	1	S754BF
E3	F630Y6V30HQP	MEMBRANE SWITCH (U)	1	S754WF
E4	F80346J00BAP	ESCUTCHEON BASE	1	S784BF, S754BF
E4	F80346J00HAP	ESCUTCHEON BASE	1	S784WF, S754WF
E5	F80726J00BAP	DOOR OPENING BUTTON	1	S784BF, S754BF
E5	F80726J00HAP	DOOR OPENING BUTTON	1	S784WF, S754WF
E6	F80375K00AP	COOK BUTTON SPRING	1	
E7	F82564W00AP	DOOR OPENING LEVEL	1	
E8	F00076V20BQP	NAME PLATE	1	S784BF QPQ
E8	F00076V20HQP	NAME PLATE	1	S784WF QPQ
E8	F00076V30BQP	NAME PLATE	1	S754BF QPQ
E8	F00076V30HQP	NAME PLATE	1	S754WF QPQ

4.6. PACKING AND ACCESSORIES



Ref. No.	Part No.	Part Name & Description	Pcs/Set	Remarks
P1	F00036V20QP	INSTRUCTION MANUAL	1	
P2	F01026V00AQP	PACKING CASE, PAPER	1	T794AF QPQ
P2	F01026V00SQP	PACKING CASE, PAPER	1	T784SF QPQ
P2	F01026V00QQP	PACKING CASE, PAPER	1	T704QF QPQ
P2	F01026V10SQP	PACKING CASE, PAPER	1	T774SF QPQ
P2	F01026V20BQP	PACKING CASE, PAPER	1	S784BF QPQ
P2	F01026V20HQP	PACKING CASE, PAPER	1	S784WF QPQ
P2	F01026V30BQP	PACKING CASE, PAPER	1	S754BF QPQ
P2	F01026V30HQP	PACKING CASE, PAPER	1	S754WF QPQ
P3	F01044W00AP	UPPER FILLER	1	
P4	F01054W00AP	LOWER FILLER	1	
P5	F01064W00AP	P. E. BAG	1	
P6	F01074W00AP	DOOR SHEET	1	
P7	B06014W00AP	COOKING TRAY	1	
P8	F01084W00AP	TRAY PACKING	1	
P9	F00065G40AP	CAUTION LABEL	1	
P10	F01924T00AP	SHEET	1	EXCEPT S784WF, S754WF

4.7. H.V. INVERTER BOARD MAIN PARTS LIST (F606Y4V00XN)

Ref. No.	Part No.	Part Name & Description	Pcs/Set	Remarks
Q701		TRANSISTOR SI	1	
Q702	A691E4V10GP	TRANSISTOR SI	1	
DB701	AESTRS2006M	DIODE SI	1	20A, 600V
D701, D702	A62024V00GP	DIODE SI	2	0.3A
C704, C705	ECWH30822JUA	CAPACITOR	2	8200PF 3000VDC
T701	F609A4V00XN	H.V. TRANSFORMER	1	
	F607D4V00XN	D.P. CIRCUIT (KU)	1	
L701	F50204V00XN	CHOKE COIL	1	
CT701	F66904V00XN	CURRENT TRANSFORMER	1	