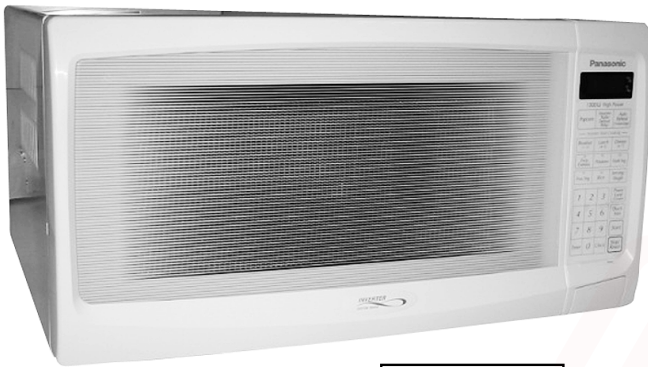


# Service Manual

## Microwave Oven

*Simplified*

**NN-S782BF**  
**NN-S782WF**  
**NN-S752BF**  
**NN-S752WF**



**NEW H.V.**

QPQ(Australia & New Zealand)

Please file and use this manual together with the service manual for Model NN-S560WF (ORDER NO. SIMMC0006012C3)

### Specifications:

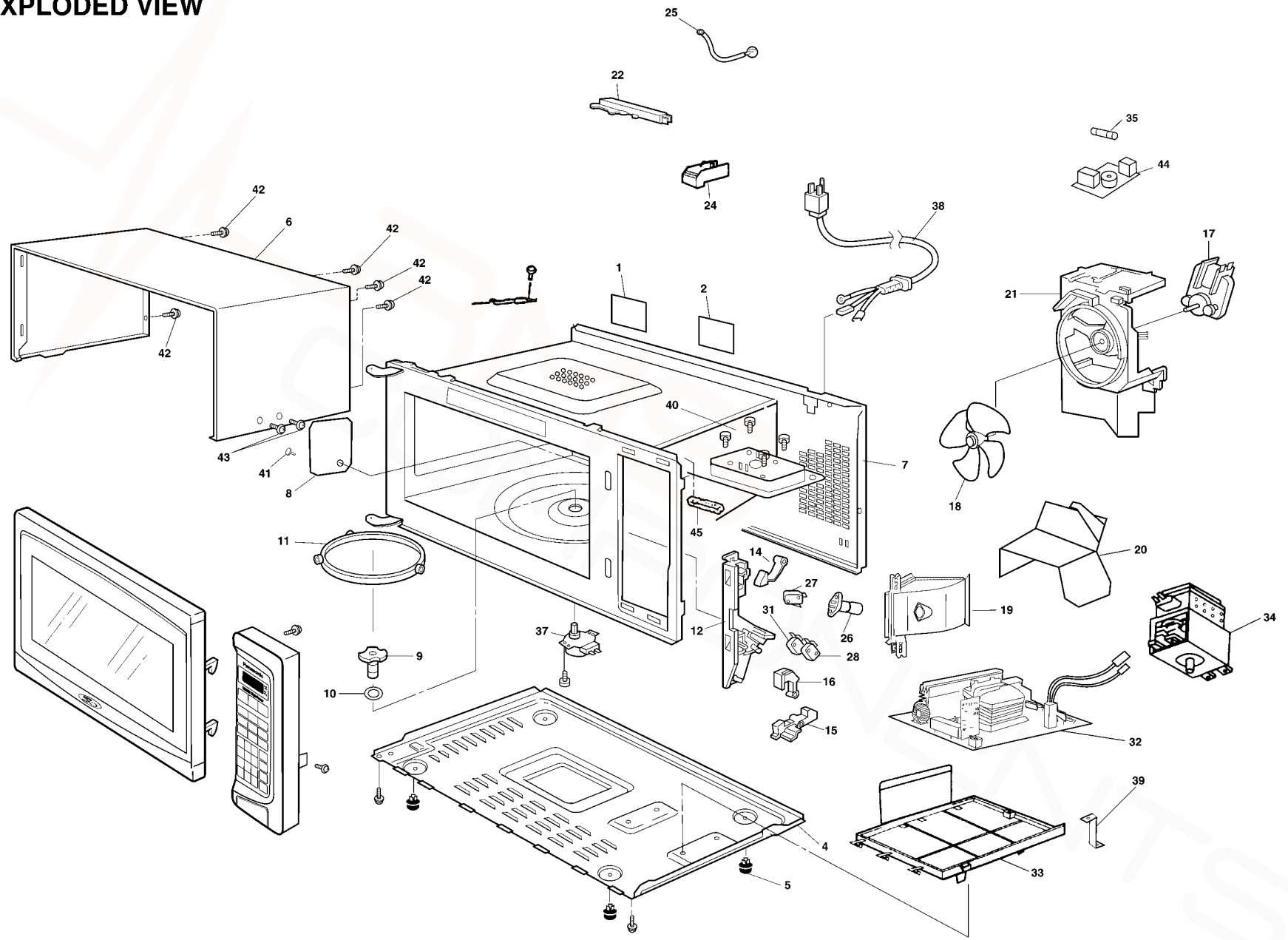
Specifications:	Models:	S782BF/WF	S752BF/WF
Power Source:	230V-240V AC Single Phase, 50Hz		
Power Requirement:	1040W		1040W
Output(IEC705-88):	1200W		1200W
Microwave Frequency:	2450MHz		
Timer:	30 min. /Stage (HIGH Power) - 5 Stage Maximum 99 min. 99 sec. /Stage (Other Power Levels) - 5 Stage Maximum		
Outside Dimensions:	555mm(W) X 493mm(D) X304mm(H)		
Oven Cavity Dimensions:	418mm(W) X 470mm(D) X 228mm(H)		
Weight:	14.5 kg		
PbF	This product with PbF		
Output power: IEC705-88 Test Procedure			
Specifications subject to change without notice.			

**Panasonic®**

© 2002 Shanghai Matsushita Microwave Oven Co., Ltd. All rights reserved. Unauthorized copying and distribution is a violation of law.

# 4 EXPLODED VIEW AND PARTS LIST

## EXPLODED VIEW



# 5 PARTS LIST

**NOTE:**

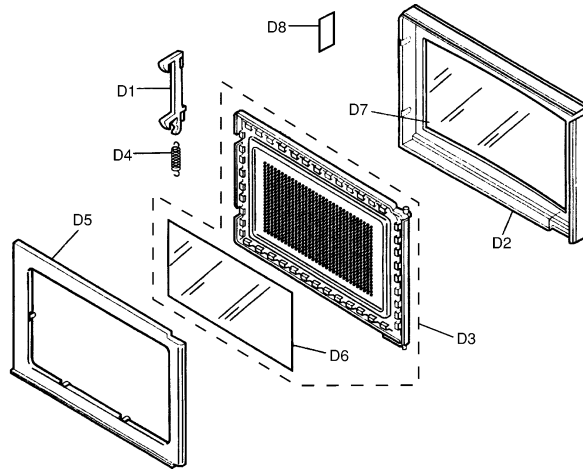
- When ordering replacement part(s), please use part number(s) shown in this part list.  
Do not use description of the part.
- Important safety notice:  
Components identified by mark have special characteristics important for safety.  
When replacing any of these components, use only manufacture's specified parts.

**NOTE:**

- "A" parts are supplied by MOD (Japan)  
"F" parts are supplied by SIMMC (China)

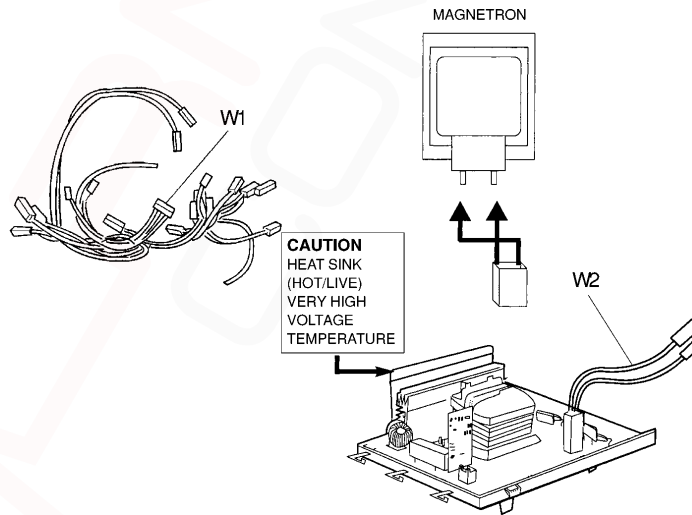
Ref. No.		Part No.	Part Name & Description	Pcs/Set	Remarks
1		F00068100HN	CAUTION LABEL	1	
2		F00075T50HQP	NAME PLATE	1	S782WF
2		F00075T50BQP	NAME PLATE	1	S782BF
2		F00075K20HQP	NAME PLATE	1	S752WF
2		F00075K20BQP	NAME PLATE	1	S752BF
4		F10014W00AP	BASE	1	
5		F10084T00AP	RUBBER FOOT	4	
6		F110D5T50BQP	CABINET BODY (U)	1	S782BF S752BF
6		F110D5B00HQP	CABINET BODY (U)	1	S782WF S752WF
7	△	F200A4W00AP	OVEN (U)	1	S782BF/WF
7	△	F200A4W30AP	OVEN (U)	1	S752BF/WF
8		F20555K00AP	COVER	1	
9		F21314W00AP	PULLY SHAFT	1	
10		F2177-F80	WASHER	1	
11		F290D9330AP	ROLLER RING (U)	1	
12	△	F3020-1200	DOOR HOOK	1	
14		F3136-1200	HOOK LEVER A	1	
15		F31374650AP	HOOK LEVER B	1	
16		F31384650AP	HOOK LEVER C	1	
17		F400A4T10QP	FAN MOTOR	1	AC240V, SINGLE PHASE, 50Hz
18		F40084T00AP	FAN BLADE	1	
19		F40254W00AP	AIR GUIDE A	1	
20		F40264W00AP	AIR GUIDE B	1	
21		F41444W00AP	ORIFICE	1	
22		F64508660AP	SENSOR COVER B	1	S782BF/WF
24		F65434W00AP	SENSOR COVER C	1	S782BF/WF
25		A607S4M00AP	STEAM SENSOR	1	S782BF/WF
26		F612E4Y00XN	INCANDESCENT LAMP (U)	1	24V, 50Hz, 20W
27	△	J61415G10XN	MICRO SWITCH	1	(PRIMARY LATCH SWITCH) (V-15G-3C25)
28	△	J61414T00AP	MICRO SWITCH	1	(SECONDARY LATCH SWITCH) (D3V-16G-3C25)
31	△	J61784T00AP	MICRO SWITCH	1	(SHORT SWITCH) (D3V-1G-2C25)
32	△	F606Y4V00XN	H.V. INVERTER (U)	1	
33		F65854W00AP	INVERTER BRACKET A	1	
34	△	2M261-M32G	MAGNETRON	1	
35	△	A62304210BP	FUSE	1	10A/240V, 50Hz
37		F63264760JP	TURNTABLE MOTOR	1	
38	△	F900C4W00QP	AC CORD W/PLUG	1	
39		F66624W00AP	GROUNDING PLATE	1	
40		XTWFA4+12T	SCREW	4	FOR MAGNETRON
41		F90804W00AP	CANOE CLIP	1	FOR COVER
42		XTWFA4+12D	SCREW	5	FOR CABINET BODY
43		XTTFA4+8BFZ	SCREW	2	FOR CABINET BODY SIDE (S782BF S752BF)
43		XTTFA4+8BCR	SCREW	2	FOR CABINET BODY SIDE (S782WF S752WF)
44		J692Y4T00QP	NOISE FILTER	1	

## 6 DOOR ASSEMBLY



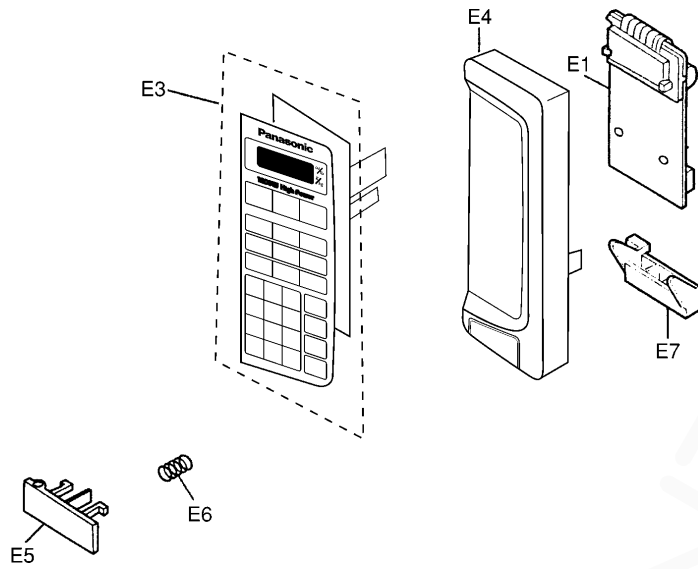
Ref. No.		Part No.	Part Name & Description	Pcs/Set	Remarks
D1		F3018-1200	DOOR KEY A	1	
D2	⚠	F30015K00BAP	DOOR A	1	S782BF, S752BF
D2	⚠	F30015K00HAP	DOOR A	1	S782WF, S752WF
D3	⚠	F302K4W00AP	DOOR E (U)	1	
D4		F30215G10XN	DOOR KEY SPRING	1	
D5	⚠	F30854W00AP	DOOR C	1	
D6	⚠	F31454W00AP	DOOR SCREEN A	1	
D7		F31465K00BAP	DOOR SCREEN B	1	S782BF, S752BF
D7		F31465T50HQP	DOOR SCREEN B	1	S782WF, S752WF
D8		F01729660JP	CAUTION LABEL B	1	

## 7 WIRING MATERIALS



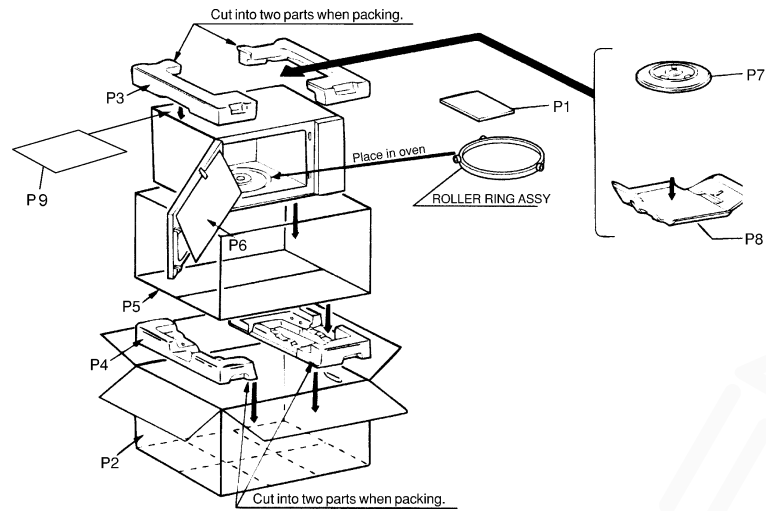
Ref. No.		Part No.	Part Name & Description	Pcs/Set	Remarks
W1		F030A5T50QP	LEAD WIRE HARNESS	1	
W2		F030E4W00CP	H.V. LEAD WIRE	1	

# 8 ESCUTCHEON BASE ASSEMBLY



Ref. No.	Part No.	Part Name & Description	Pcs/Set	Remarks
E1	F603L5T50QP	D.P.CIRCUIT	1	RTL (W/COMPONENT), S782BF/WF
E1	F603L5K20QP	D.P.CIRCUIT	1	RTL (W/COMPONENT), S752BF/WF
E3	F630Y5T50BQP	MEMBRANE SWITCH (U)	1	S782BF
E3	F630Y5T50HQP	MEMBRANE SWITCH (U)	1	S782WF
E3	F630Y5K20BQP	MEMBRANE SWITCH (U)	1	S752BF
E3	F630Y5K20HQP	MEMBRANE SWITCH (U)	1	S752WF
E4	F80345K00BAP	ESCUTCHEON BASE	1	S782BF, S752BF
E4	F80345K00HAP	ESCUTCHEON BASE	1	S782WF, S752WF
E5	F80725K00BAP	DOOR OPENING BUTTON	1	S782BF, S752BF
E5	F80725K00HAP	DOOR OPENING BUTTON	1	S782WF, S752WF
E6	F80375K00AP	COOK BUTTON SPRING	1	
E7	F82564W00AP	DOOR OPENING LEVER	1	

# 9 PACKING AND ACCESORIES



Ref. No.	Part No.	Part Name & Description	Pcs/Set	Remarks
P1	F00035T50QP	INSTRUCTION MANUAL	1	
P2	F01025T50HQP	PACKING CASE, PAPER	1	S782WF
P2	F01025T50BQP	PACKING CASE, PAPER	1	S782BF
P2	F01025K20HQP	PACKING CASE, PAPER	1	S752WF
P2	F01025K20BQP	PACKING CASE, PAPER	1	S752BF
P3	F01045J00AP	UPPER FILLER	1	
P4	F01055J00AP	LOWER FILLER	1	
P5	F01064W00AP	P. E. BAG	1	
P6	F01074W00AP	DOOR SHEET	1	
P7	B06014W00AP	COOKING TRAY	1	
P8	F01084W00AP	TRAY PACKING	1	
P9	F01924T00AP	SHEET	1	S782BF, S752BF

## INVERTER BOARD PARTS LIST (F606Y4V00XN)

Ref. No.	Part No.	Part Name & Description	Pcs/Set	Remarks
C701	AECQ2G104JC1	CAPACITOR	1	0.1μF 500VDC
C702	ECQE2405T847	CAPACITOR	1	4μF 250VDC
C703	AECQ2H454JC3	CAPACITOR	1	0.45μF 500VDC
C704 C705	ECWH30822JUA	CAPACITOR	2	8200PF 3000VDC
CN701	AEEMXH00703G	CONNECTOR	1	
D701 D702	△ A62024V00GP	DIODE SI	2	0.3A
D703	AESSRCT1H7-E	DIODE SI	1	
D704 D705	AESSRCT1A6-E	DIODE SI	2	
D706	AESS133T-77	DIODE SI	1	MA196, 0.1A
DB701	AESTRS2006M	DIODE SI	1	20A, 600V
	XTWA3+12B	SCREW	2	3*12 (FOR DB701 Q701)
	XTNA3+12B	SCREW	1	3*12 (FOR Q702)
H.S.	F66914V00XN	HEAT SINK	1	
IC702 IC703	AEICTLP421	IC	2	
IC801	AN9DB07SB-E1	IC	1	
L701	F50204V00XN	CHOKE COIL	1	
Q701	A691E4V10GP	TRANSISTOR SI	1	
Q702	A691E4V10GP	TRANSISTOR SI	1	
C806	A691E4V10GP	CAPACITOR	1	56PF TRANSISTOR(Q701 Q702) KIT
Q703 Q704	2SC2785TFK	TRANSISTOR SI	2	
Q705	2SA1175TFK	TRANSISTOR SI	1	
R715	AERGRY15J452	RESISTOR	1	4.5KΩ, 15W
VR701	AEVTZ6TLT102	VARIABLE RESISTOR	1	1KΩ, 30%
ZD701, ZD703, ZD704, ZD705	AESZMTZJ10B	ZENER DIODE SI	4	
ZD702	AESZMTZJ12C	ZENER DIODE SI	1	
T701	A609A4V00GP	H.V. TRANSFORMER	1	
CT701	F66904V00XN	CURRENT TRANSFORMER	1	