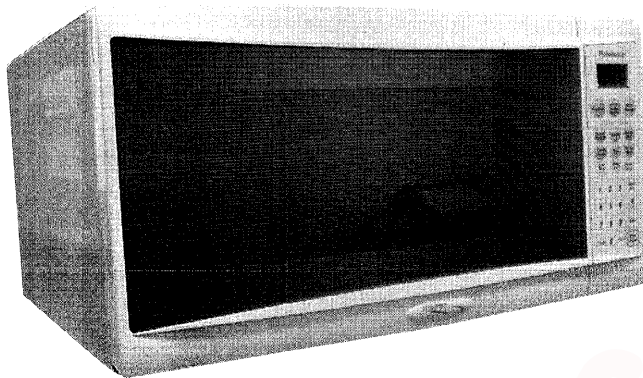


Service Manual

Microwave Oven

simplified



MODELS	QPQ		
	Australia		
	BF	WF	SF
NN-S781		○	
NN-S761	○	○	
NN-S751	○	○	
NN-T791			○

NEW HV

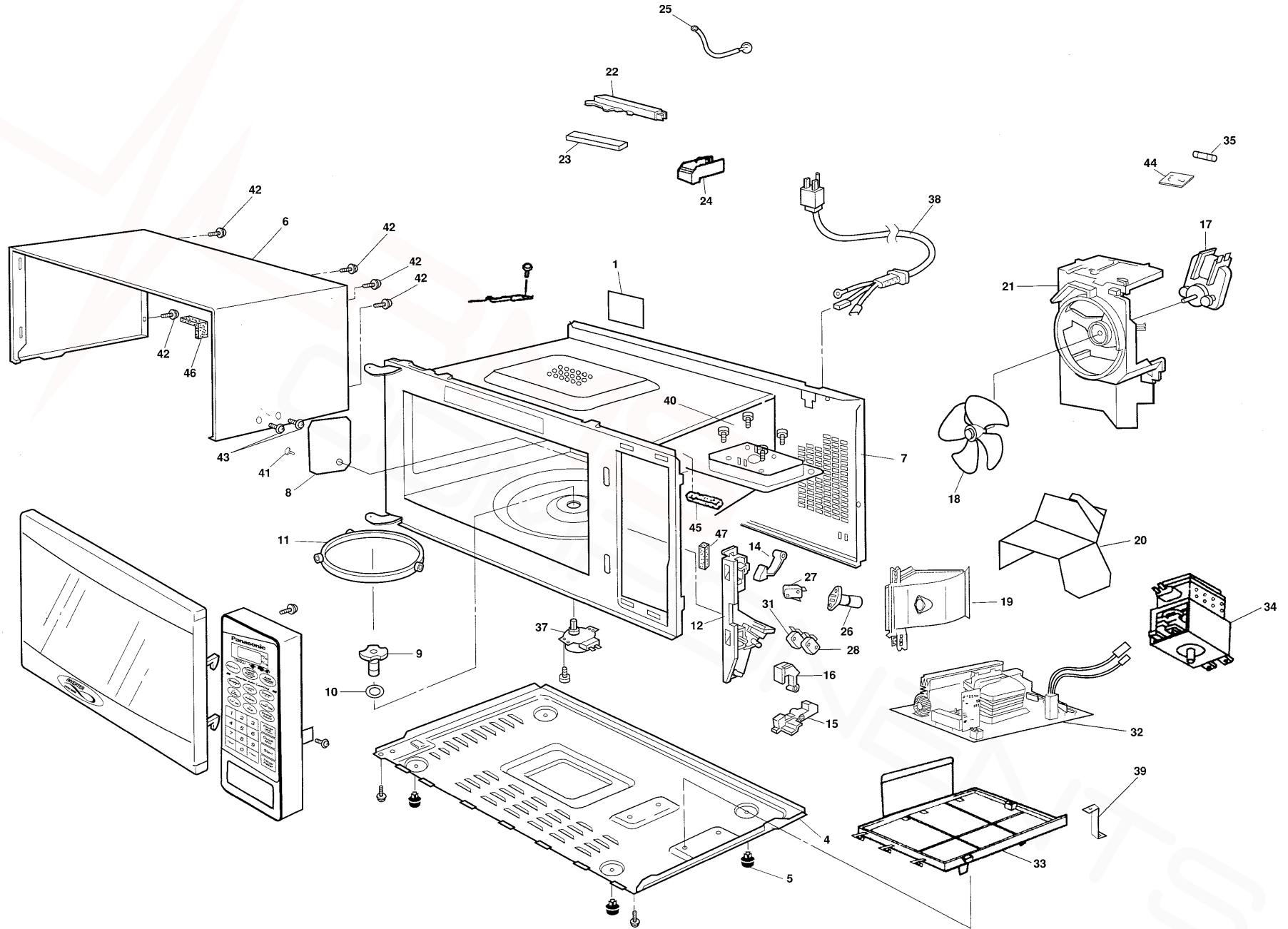
Please file and use this specified manual together with the service manual for model NN-S560WF (ORDER NO. SIMMC 0006012C3).

Specifications:

Specifications:	Models:	NN-S781	NN-S761	NN-S751	NN-T791
Power Source:	230V~240V AC Single Phase, 50Hz				
Power Requirement:	1040W	1040W	1040W	1040W	1040W
Output(IEC705-88):	1200W	1200W	1200W	1200W	1200W
Microwave Frequency:	2450MHz				
Timer:	30 min. / Stage (HIGH Power) ~ 5 Stage Maximum 90 min. 99 sec. / Stage (Other Power Levels) ~ 5 Stage Maximum				
Outside Dimensions:	21 $\frac{7}{8}$ "(555mm)(W) × 19 $\frac{9}{16}$ "(497mm)(D) × 11 $\frac{15}{16}$ "(301mm)(H)				
Oven Cavity Dimensions:	16 $\frac{7}{16}$ "(418mm)(W) × 18 $\frac{1}{2}$ "(470mm)(D) × 9"(228mm)(H)				
Weight:	36 lbs. / 16.5kg				
Output power: IEC705-88 Test Procedure					
Specifications subject to change without notice.					

Panasonic®

© 2001 Shanghai Matsushita Microwave Oven Co.,Ltd
All rights reserved. Unauthorized copying and distribution is a violation of law.



EXPLODED VIEW AND PARTS LIST

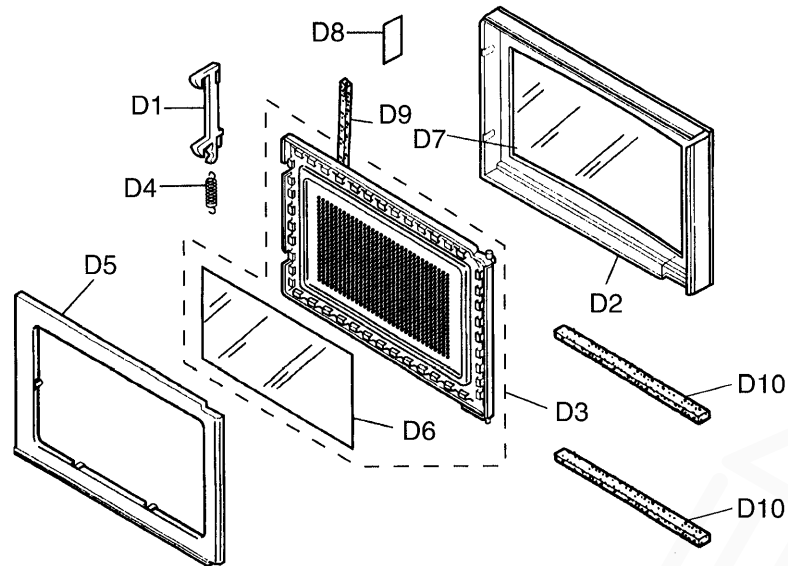
PARTS LIST

- NOTE 1: When ordering replacement part(s), please use part number(s) shown in this part list.
Do not use description of the part.
- 2: Important safety notice:
Components identified by \triangle mark have special characteristics important for safety.
When replacing any of these components, use only manufacture's specified parts.

NOTE : "A" parts are supplied by MOD (Japan)
"F" parts are supplied by SIMMC (China)

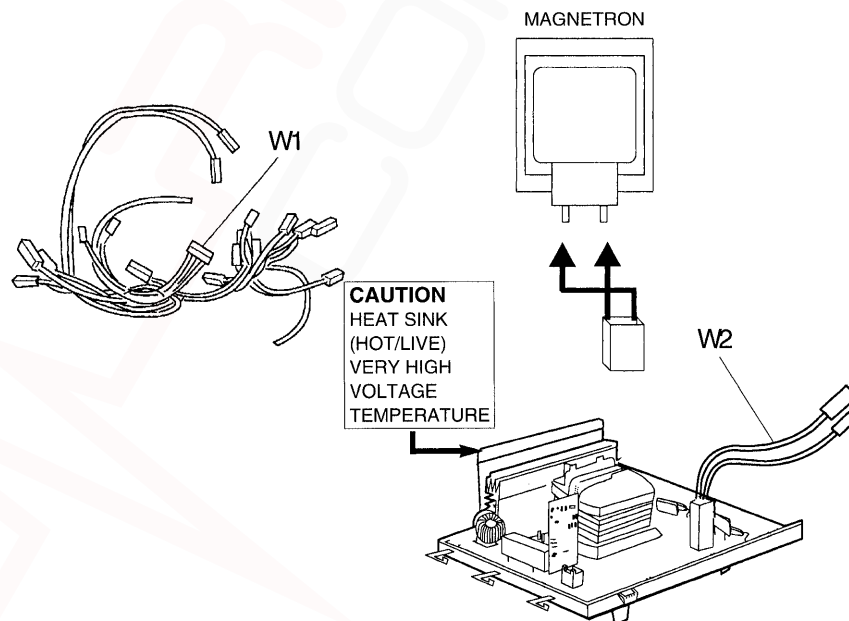
Ref.No.		Part No.	Part name & Description	Pcs/ Set	Remarks
1		F00068100HN	CAUTION LABEL	1	
4		F10014W00AP	BASE	1	
5		F10084T00AP	RUBBER FOOT	4	
6		F110D4W00BQP	CABINET BODY (U)	1	S761BF, S751BF, T791SF
6		F110D4W00HQP	CABINET BODY (U)	1	S781WF, S761WF, S751WF
7	\triangle	F200A4W00AP	OVEN (U)	1	S781WF, S761BF/WF, T791SF
7	\triangle	F200A4W30AP	OVEN (U)	1	S751BF/WF
8		F20554W00AP	COVER	1	
9		F21314W00AP	PULLY SHAFT	1	
10		F2177-F80	WASHER	1	
11		F290D9330AP	ROLLER RING (U)	1	
12	\triangle	F3020-1200	DOOR HOOK	1	
14		F3136-1200	HOOK LEVER A	1	
15		F31374650AP	HOOK LEVER B	1	
16		F31384650AP	HOOK LEVER C	1	
17		F400A4T10QP	FAN MOTOR	1	AC240V, SINGLE PHASE, 50Hz
18		F40084T00AP	FAN BLADE	1	
19		F40254W00AP	AIR GUIDE A	1	
20		F40264W00AP	AIR GUIDE B	1	
21		F41444W00AP	ORIFICE	1	
22		F64505540AP	SENSOR COVER B	1	S781WF, S761BF/WF, T791SF
23		F65435540AP	SENSOR COVER C	1	S781WF, S761BF/WF, T791SF
24		F65434W00AP	SENSOR COVER C	1	S781WF, S761BF/WF, T791SF
25		A607S4M00AP	STEAM SENSOR	1	S781WF, S761BF/WF, T791SF
26		F612E4J50XN	INCANDESCENT LAMP (U)	1	AC240V, 25W, 50Hz
27	\triangle	J61424T00AP	MICRO SWITCH	1	(V-16G-3C25-L)
28	\triangle	J61414T00AP	MICRO SWITCH	1	(D3V-16G-3C25)
31	\triangle	J61784T00AP	MICRO SWITCH	1	(SHORT SWITCH) (D3V-1G-2C25)
32	\triangle	A606Y4V00GP	H.V.INVERTER (U)	1	
33		F65854W00AP	INVERTER BRACKET A	1	
34	\triangle	2M261-M32G	MAGNETRON	1	
35	\triangle	A62304210BP	FUSE	1	10A/240V, 50Hz
37		F63264760JP	TURNTABLE MOTOR	1	
38	\triangle	F900C4W00QP	AC CORD W/PLUG	1	
39		F66624W00AP	GROUNDING PLATE	1	
40		XTWFNE4+12T	SCREW	4	FOR MAGNETRON
41		F90804W00AP	CANOE CLIP	1	FOR COVER
42		XTWAFE4+12D	SCREW	5	FOR CABINET BODY
43		XTT4+8BFZ	SCREW	2	FOR CABINET BODY SIDE (S761BF,S751BF,T791SF)
43		XTT4+8BCR	SCREW	2	FOR CABINET BODY SIDE (S781WF,S761WF,S751WF)
44		J692Y4T00QP	NOISE FILTER	1	
45		F0922000EK	CUSHION RUBBER	1	
46		F0922000BJ	CUSHION RUBBER	1	
47		F0902000AA	CUSHION RUBBER	1	T791SF

DOOR ASSEMBLY



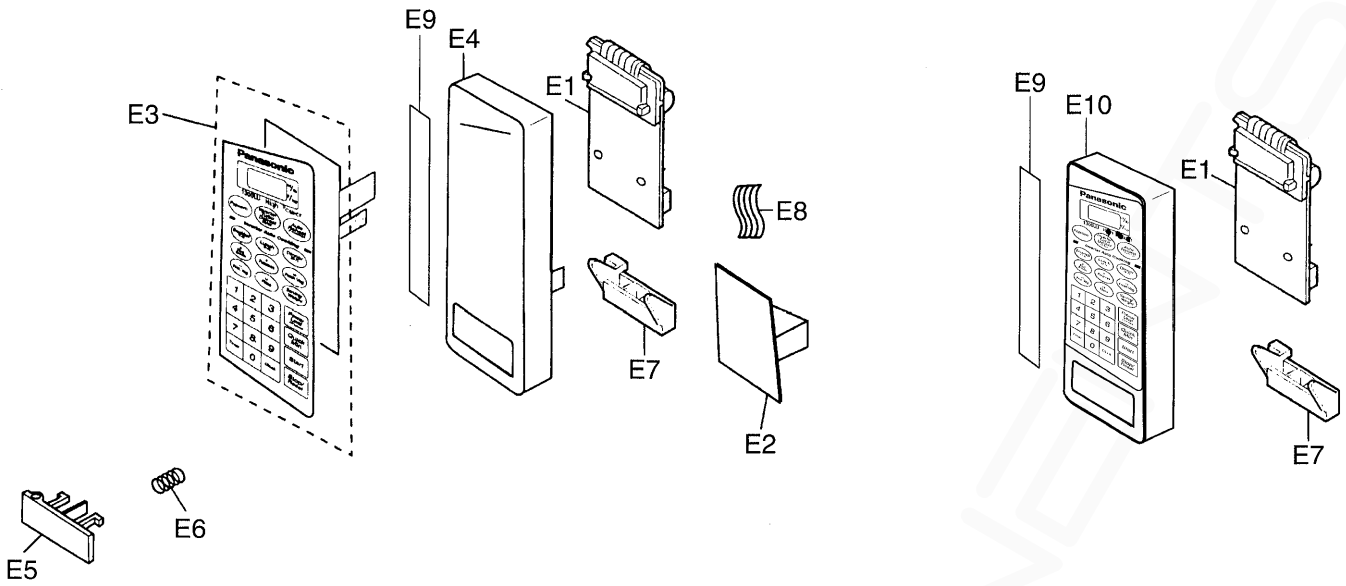
Ref.No.		Part No.	Part name & Description	Pcs/ Set	Remarks
D1		F3018-1200	DOOR KEY A	1	
D2	△	F30014W00BAP	DOOR A	1	S761BF, S751BF
D2	△	F30014W00HAP	DOOR A	1	S781WF, S761WF, S751WF
D2	△	B301A4W70CP	DOOR A (U) UNIT	1	T791SF
D3	△	F302K4W00AP	DOOR E (U)	1	
D4		F30214000AP	DOOR KEY SPRING	1	
D5	△	F30854W00AP	DOOR C	1	
D6	△	F31454W00AP	DOOR SCREEN A	1	
D7		F31464W00BAP	DOOR SCBEEN B	1	S761BF, S751BF
D7		F31465B00HQP	DOOR SCREEN B	1	S781WF, S761WF, S751WF
D8		F01729660JP	CAUTION LABEL	1	
D9		F0902000AP	CUSHION RUBBER	1	
D10		F0902000AP	CUSHION RUBBER	2	T791SF

WIRING MATERIALS



Ref.No.		Part No.	Part name & Description	Pcs/ Set	Remarks
W1		F030A4W00QP	LEAD WIRE HARNESS	1	
W2		F030E4W00CP	H.V.LEAD WIRE	1	

ESCUTHEON BASE ASSEMBLY

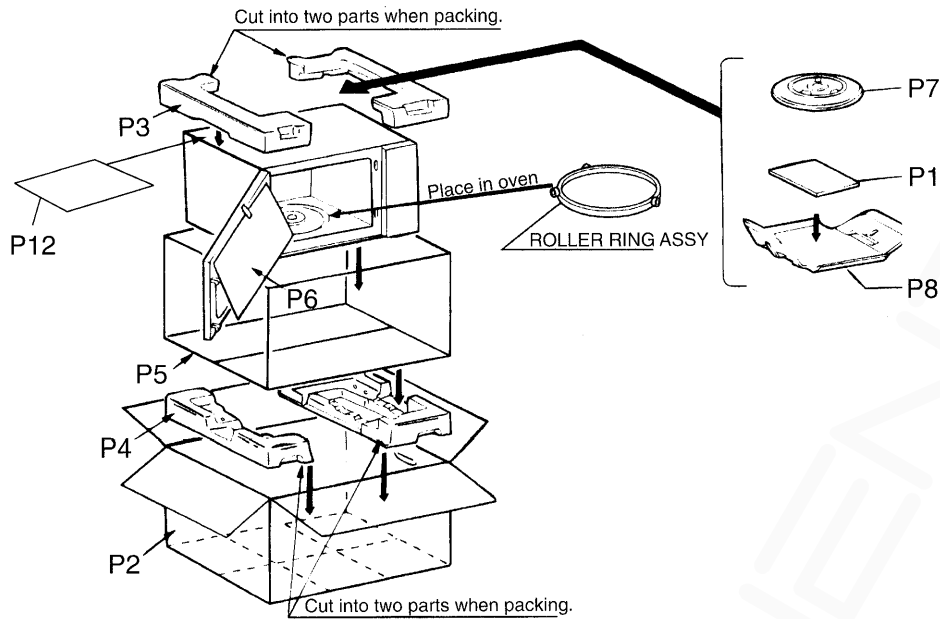


(NN-S781/S761/S751)

(NN-T791)

Ref.No.	Part No.	Part name & Description	Pcs/ set	Remarks
E1	F603L5B00QP	D.P.CIRCUIT	1	RTL (W/COMPONENT) S781WF
E1	F603L5B10QP	D.P.CIRCUIT	1	RTL (W/COMPONENT) S761BF/WF
E1	F603L5B20QP	D.P.CIRCUIT	1	RTL (W/COMPONENT) S751BF/WF
E1	F603L5B50QP	D.P.CIRCUIT	1	RTL (W/COMPONENT) T791SF
E2	F603Y4W00QP	D.P.CIRCUIT	1	RTL (W/COMPONENT) S781WF, S761BF/WF
E2	F603Y4W10QP	D.P.CIRCUIT	1	RTL (W/COMPONENT) S751BF/WF
E3	F630Y5B00HQP	MEMBRANE SWITCH (U)	1	S781WF
E3	F630Y5B10BQP	MEMBRANE SWITCH (U)	1	S761BF
E3	F630Y5B10HQP	MEMBRANE SWITCH (U)	1	S761WF
E3	F630Y5B20BQP	MEMBRANE SWITCH (U)	1	S751BF
E3	F630Y5B20HQP	MEMBRANE SWITCH (U)	1	S751WF
E4	F80344W00BAP	ESCUCHEON BASE	1	S761BF, S751BF
E4	F80344W00HAP	ESCUCHEON BASE	1	S781WF, S761WF, S751WF
E5	F80724W00BAP	DOOR OPENING BUTTON	1	S761BF, S751BF
E5	F80724W00HAP	DOOR OPENING BUTTON	1	S781WF, S761WF, S751WF
E6	F80375950AP	COOK BUTTON SPRING	1	S781WF, S761BF/WF, S751BF/WF
E7	F82564W00AP	DOOR OPENING LEVER	1	
E8	F66164W20AP	FLAT CABLE	1	S781WF, S761BF/WF, S751BF/WF
E9	F00075B00HQP	NAME PLATE	1	S781WF
E9	F00075B10BQP	NAME PLATE	1	S761BF
E9	F00075B10HQP	NAME PLATE	1	S761WF
E9	F00075B20BQP	NAME PLATE	1	S751BF
E9	F00075B20HQP	NAME PLATE	1	S751WF
E9	F00075B50SQP	NAME PLATE	1	T791SF
E10	B890L5B50SQP	CONTROL PANEL (AU)	1	T791SF

PACKING AND ACCESORIES



Ref.No.	Part No.	Part name & Description	Pcs/set	Remarks
P1	F00035B00QP	INSTRUCTION MANUAL	1	
P2	F01025B00HQP	PACKING CASE,PAPER	1	S781WF
P2	F01025B10BQP	PACKING CASE,PAPER	1	S761BF
P2	F01025B10HQP	PACKING CASE,PAPER	1	S761WF
P2	F01025B20BQP	PACKING CASE,PAPER	1	S751BF
P2	F01025B20HQP	PACKING CASE,PAPER	1	S751WF
P2	F01025B50SQP	PACKING CASE,PAPER	1	T791SF
P3	F01044W00AP	UPPER FILLER	1	
P4	F01054W00AP	LOWER FILLER	1	
P5	F01064W00AP	P.E.BAG	1	
P6	F01074W00AP	DOOR SHEET	1	
P7	A06014A00AP	COOKING TRAY	1	
P8	F01084W00AP	TRAY PACKING	1	
P12	A01924T00AP	SHEET	1	S761BF, S751BF, T791SF

INVERTER BOARD PARTS LIST

Ref.No.	Part No.	Part name & Description	Pcs/set	Remarks
C701	ECWF5104N300	CAPACITOR	1	0.1 μ F, 500VDC
C702	ECQE2405T847	POLYESTER CAPACITOR	1	4 μ F, 250VDC
C703	ECWF5454N300	FILM CAPACITOR	1	0.45 μ F, 500VDC
C704, C705	ECWH30822JUA	FILM CAPACITOR	2	8200PF, 3KVDC
CN701	AEEMXH00703WG	CONNECTOR	1	
CT701	A66904T00AP	TRANSFORMER	1	
D701, D702	A6202-4N10T	DIODE SI	2	0.3A
D703	AEDNERA3806	DIODE SI	1	0.5A
D704, D705	AEDNERA1506	DIODE SI	2	1A
D706	MA196-(TA5)	DIODE SI	1	MA196, 0.1A
DB701	AESTRBV6206	DIODE SI	1	15A, 600V
	XTW3+12B	SCREW	2	3*12 (FOR Q701)
H.S.	A66914T00AP	HEAT SINK	1	
IC702, IC703	AEICP25011HL	IC	2	PS2501-1, HL 4P
IC801	AN9DB07SB	IC	1	
L701	A50204T00AP	COIL	1	
Q701	A691E4V00GPS	TRANSISTOR SI	1	AESCGT60M303
Q702	A691E4V00GPS	TRANSISTOR SI	1	AESPGT30J322
	XTN3+12B	SCREW	1	3*12 (FOR Q702)
Q703, Q704	2SC3311AQSTA	TRANSISTOR SI	2	2SC3311AQRS
Q705	2SA1309AQSTA	TRANSISTOR SI	1	2SA1309AQRS
R715	AERGS215J452	RESISTOR	1	4.5K Ω , 15W
VR701	AEVTZ6TLT102	VARIABLE RESISTOR	1	1K Ω , 308
ZD701, ZD703, ZD704, ZD705	AEDZ10ES2T1	ZENNER DIODE SI	4	RD10ES2T1
ZD702	AESZ12JS2T1	ZENNER DIODE SI	1	RD12JS2
T701	A609A4V00GP	TRANSFORMER	1	