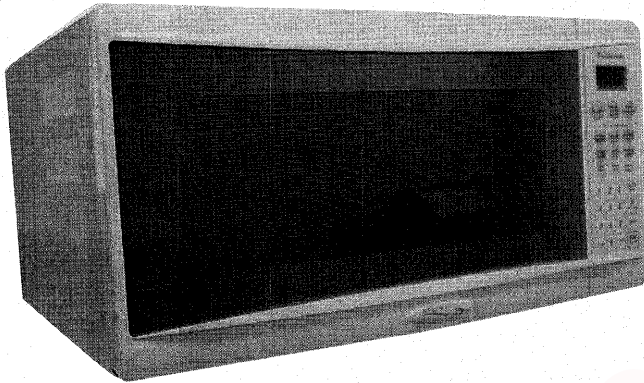


Service Manual

Microwave Oven

simplified



MODELS	QPQ		
	Australia		
	BF	WF	SF
NN-S780		○	
NN-S760	○	○	
NN-S750	○	○	
NN-T790			○

NEW HV

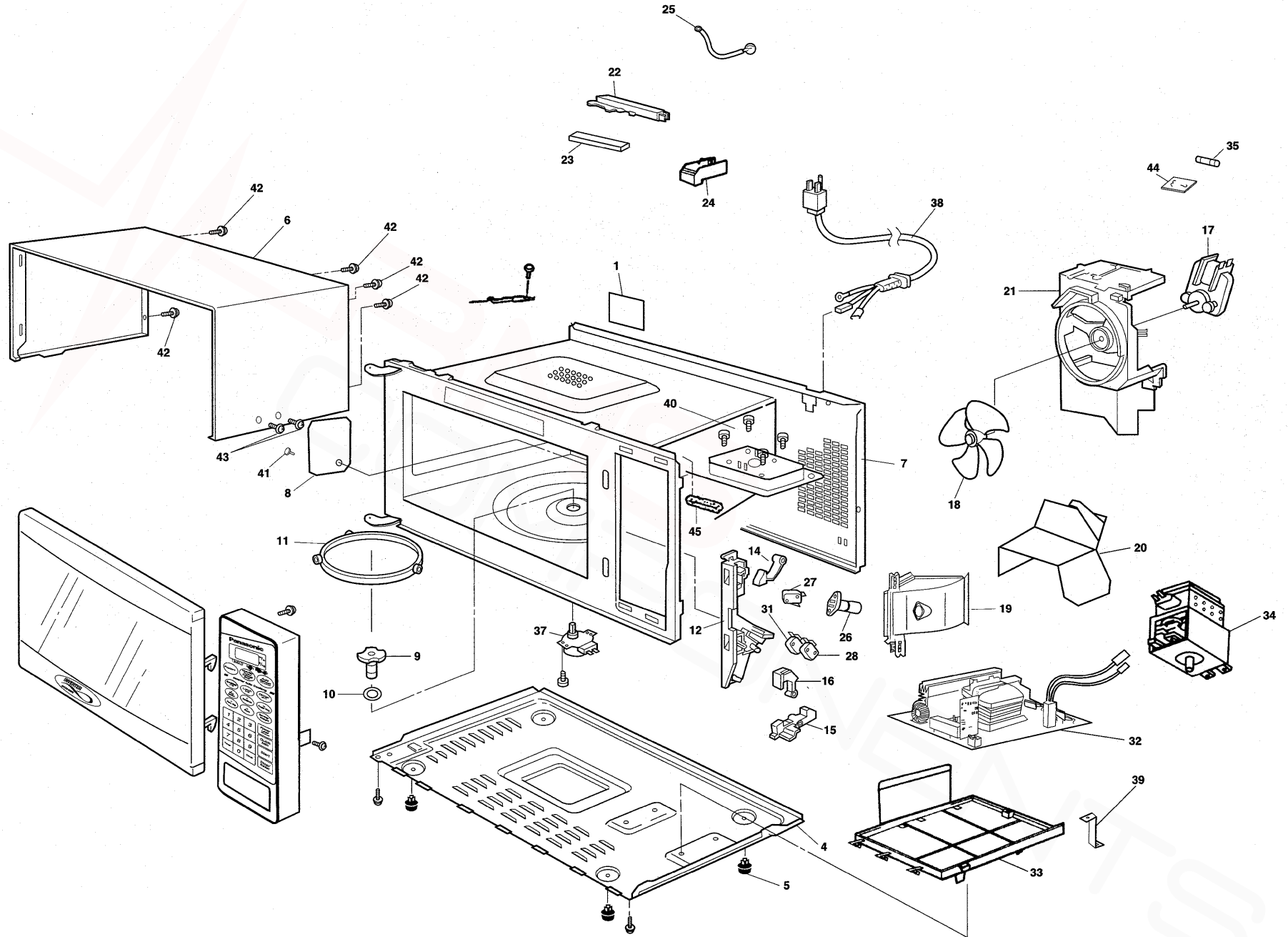
Please file and use this specified manual together with the service manual for model NN-S560WF (ORDER NO. SIMMC 0006012C3).

Specifications:

Specifications:	Models:	NN-S780	NN-S760	NN-S750	NN-T790
Power Source:	230V~240V AC Single Phase, 50Hz				
Power Requirement:	1040W	1040W	1040W	1040W	1040W
Output(IEC705-88):	1200W	1200W	1200W	1200W	1200W
Microwave Frequency:	2450MHz				
Timer:	30 min. / Stage (HIGH Power) ~ 5 Stage Maximum 90 min. 99 sec. / Stage (Other Power Levels) ~ 5 Stage Maximum				
Outside Dimensions:	21 $\frac{7}{8}$ "(555mm)(W) × 19 $\frac{9}{16}$ "(497mm)(D) × 11 $\frac{15}{16}$ "(301mm)(H)				
Oven Cavity Dimensions:	16 $\frac{7}{16}$ "(418mm)(W) × 18 $\frac{1}{2}$ "(470mm)(D) × 9"(228mm)(H)				
Weight:	36 lbs. / 16.5kg				
Output power: IEC705-88 Test Procedure					
Specifications subject to change without notice.					

Panasonic®

© 2000 Shanghai Matsushita Microwave Oven Co.,Ltd
All rights reserved. Unauthorized copying and distribution is a violation of law.



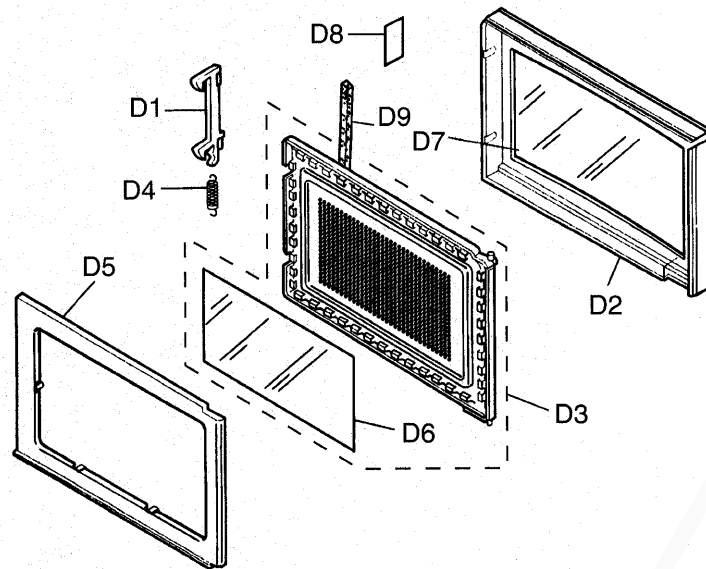
EXPLODED VIEW AND PARTS LIST

PARTS LIST

- NOTE 1: When ordering replacement part(s), please use part number(s) shown in this part list.
Do not use description of the part.
- 2: Important safety notice:
Components identified by \triangle mark have special characteristics important for safety.
When replacing any of these components, use only manufacture's specified parts.

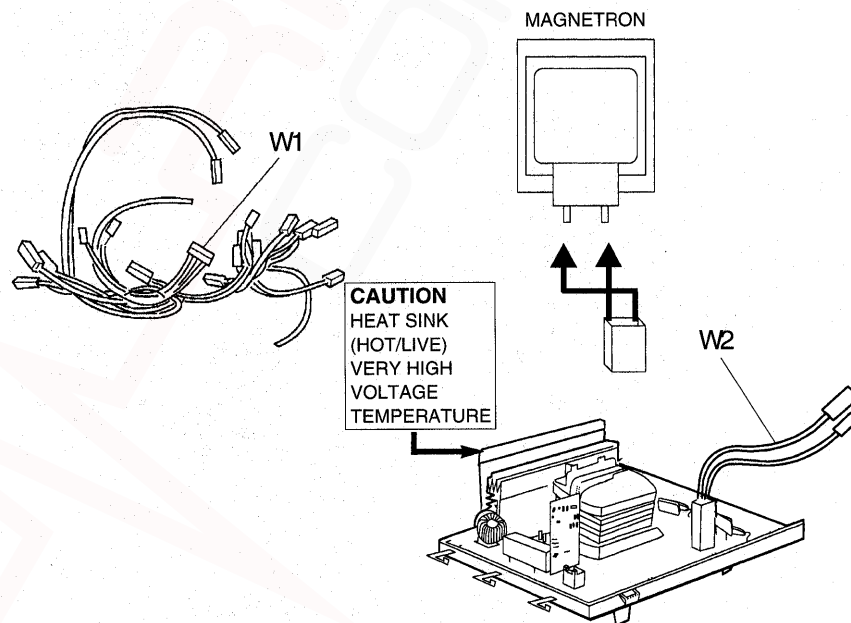
Ref.No.	Part No.	Part name & Description	Pcs/Set	Remarks
1	F00068100HN	CAUTION LABEL	1	
4	F10014W00AP	BASE	1	
5	F10084T00AP	RUBBER FOOT	4	
6	F110D4W00BQP	CABINET BODY	1	S760BF, S750BF, T790SF
6	F110D4W00HQP	CABINET BODY	1	S780WF, S760WF, S750WF
7	\triangle F200A4W00AP	OVEN	1	S780WF, S760BF/WF, T790SF
7	\triangle F200A4W30AP	OVEN	1	S750BF/WF
8	F20554W00AP	COVER	1	
9	F21314W00AP	PULLY SHAFT	1	
10	F2177-F80	WASHER	1	
11	B290D9330AP	ROLLER RING (U)	1	
12	\triangle F3020-1200	DOOR HOOK	1	
14	F3136-1200	HOOK LEVER A	1	
15	F31374650AP	HOOK LEVER B	1	
16	F31384650AP	HOOK LEVER C	1	
17	F400A4T10QP	FAN MOTOR	1	AC240V, SINGLE PHASE, 50Hz
18	F40084T00AP	FAN BLADE	1	
19	F40254W00AP	AIR GUIDE A	1	
20	F40264W00AP	AIR GUIDE B	1	
21	F41444W00AP	ORIFICE	1	
22	F64505540AP	SENSOR COVER B	1	S780WF, S760BF/WF, T790SF
23	F65435540AP	SENSOR COVER C	1	S780WF, S760BF/WF, T790SF
24	F65434W00AP	SENSOR COVER C	1	S780WF, S760BF/WF, T790SF
25	A607S4M00AP	STEAM SENSOR	1	S780WF, S760BF/WF, T790SF
26	F612E4J50XN	INCANDESCENT LAMP (U)	1	AC240V, 25W, 50Hz
27	\triangle J61424T00AP	MICRO SWITCH	1	(V-16G-3C25-L)
28	\triangle J61414T00AP	MICRO SWITCH	1	(D3V-16G-3C25)
31	\triangle J61784T00AP	MICRO SWITCH	1	(SHORT SWITCH) (D3V-1G-2C25)
32	\triangle A606Y4V00GP	H.V.INVERTER (U)	1	
33	F65854W00AP	INVERTER BRACKET A	1	
34	\triangle 2M261-M32G	MAGNETRON	1	
35	\triangle A62304210BP	FUSE	1	10A/240V, 50Hz
37	A63264760JP	TURNTABLE MOTOR	1	
38	\triangle F900C4W00QP	AC CORD W/PLUG	1	
39	F66624W00AP	GROUNDING PLATE	1	
40	XTWANE+10RU	SCREW	4	FOR MAGNETRON
41	A90804W00AP	CANOE CLIP	1	FOR COVER
42	XTWAFE4+12D	SCREW	5	FOR CABINET BODY
43	XTT4+8BFZ	SCREW	2	FOR CABINET BODY SIDE (S760BF,S750BF,T790SF)
43	XTT4+8BCR	SCREW	2	FOR CABINET BODY SIDE (S780WF,S760WF,S750WF)
44	J692Y4T00QP	NOISE FILTER	1	
45	F0922000EK	CUSHION RUBBER	1	

DOOR ASSEMBLY



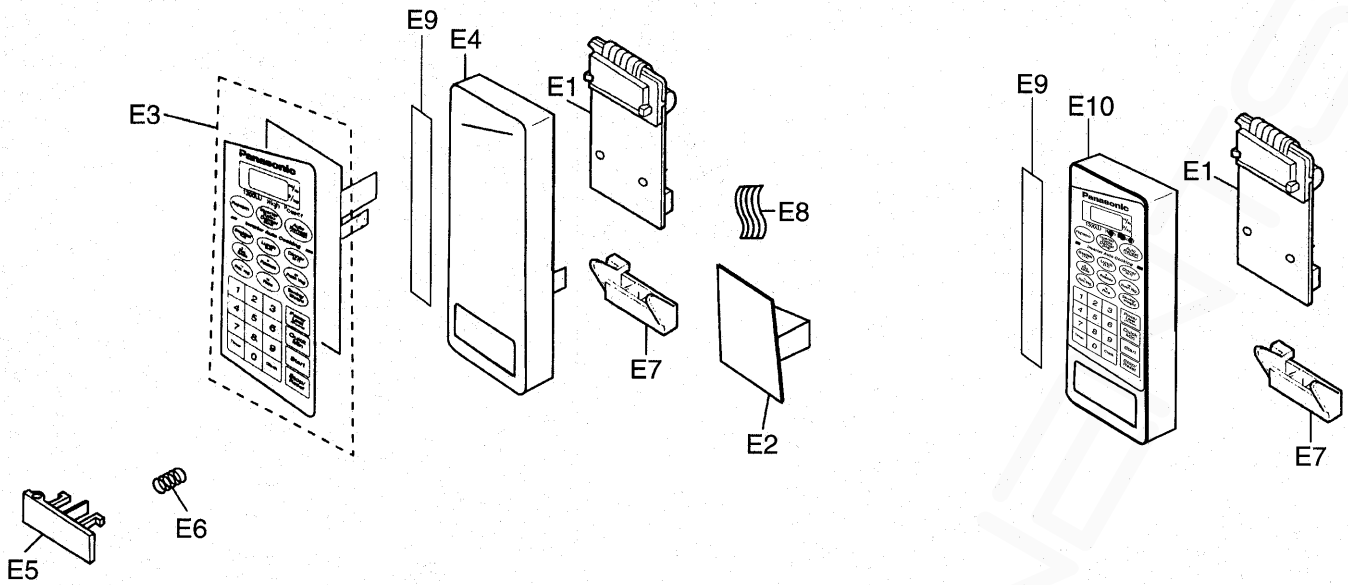
Ref.No.		Part No.	Part name & Description	Pcs/ Set	Remarks
D1		F3018-1200	DOOR KEY A	1	
D2	△	F30014W00BAP	DOOR A	1	S760BF, S750BF
D2	△	F30014W00HAP	DOOR A	1	S780WF, S760WF, S750WF
D2	△	B301A4W70CP	DOOR A (U) UNIT	1	T790SF
D3	△	F302K4W00AP	DOOR E (U)	1	
D4		F30214000AP	DOOR KEY SPRING	1	
D5	△	F30854W00AP	DOOR C	1	
D6	△	F31454W00AP	DOOR SCREEN A	1	
D7		F31464W00BAP	DOOR SCBREEN B	1	S760BF, S750BF
D7		F31464W00HQP	DOOR SCREEN B	1	S780WF, S760WF, S750WF
D8		F01729660JP	CAUTION LABEL	1	
D9		F0903000AP	CUSHION RUBBER	1	

WIRING MATERIALS



Ref.No.		Part No.	Part name & Description	Pcs/ Set	Remarks
W1		F030A4W00QP	LEAD WIRE HARNESS	1	
W2		F030E4W00CP	H.V.LEAD WIRE	1	

ESCUTHEON BASE ASSEMBLY

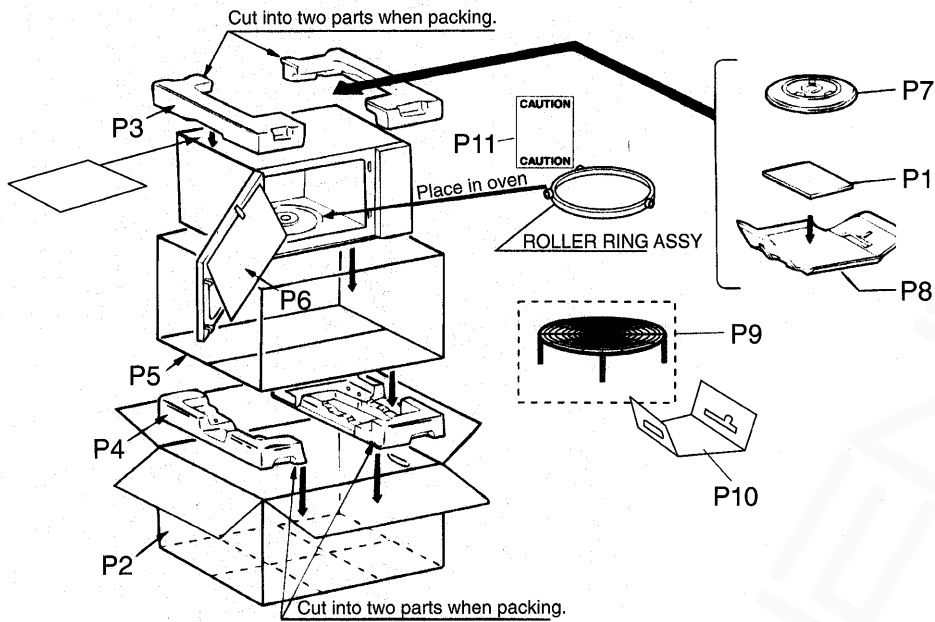


(NN-S780/S760/S750)

(NN-T790)

Ref.No.	Part No.	Part name & Description	Pcs/ set	Remarks
E1	J603L4W10QP	D.P.CIRCUIT	1	S780WF, S760BF/WF
E1	J603L4W20QP	D.P.CIRCUIT	1	S750BF/WF
E1	J603L4W70QP	D.P.CIRCUIT	1	T790SF
E2	J603Y4W00QP	D.P.CIRCUIT	1	RTL (W/COMPONENT) S780WF, S760BF/WF, S750BF/WF
E3	F630Y4W00HQP	MEMBRANE SWITCH	1	S780WF
E3	F630Y4W10BQP	MEMBRANE SWITCH	1	S760BF
E3	F630Y4W10HQP	MEMBRANE SWITCH	1	S760WF
E3	F630Y4W20BQP	MEMBRANE SWITCH	1	S750BF
E3	F630Y4W20HQP	MEMBRANE SWITCH	1	S750WF
E4	F80344W00BAP	ESCUCHEON BASE	1	S760BF, S750BF
E4	F80344W00HAP	ESCUCHEON BASE	1	S780WF, S760WF, S750WF
E5	F80724W00BAP	DOOR OPENING BUTTON	1	S760BF, S750BF
E5	F80724W00HAP	DOOR OPENING BUTTON	1	S780WF, S760WF, S750WF
E6	F80375950AP	COOK BUTTON SPRING	1	S780WF, S760BF/WF, S750BF/WF
E7	F82564W00AP	DOOR OPENING LEVER	1	
E8	J66164W20AP	FLAT CABLE	1	S780WF, S760BF/WF, S750BF/WF
E9	F00074W00HQP	NAME PLATE	1	S780WF
E9	F00074W10BQP	NAME PLATE	1	S760BF
E9	F00074W10HQP	NAME PLATE	1	S760WF
E9	F00074W20BQP	NAME PLATE	1	S750BF
E9	F00074W20HQP	NAME PLATE	1	S750WF
E9	F00074W70SQP	NAME PLATE	1	T790SF
E10	B890L4W70QP	CONTROL PANEL (AU)	1	T790SF

PACKING AND ACCESSORIES



Ref.No.	Part No.	Part name & Description	Pcs/set	Remarks
P1	F00034W00QP	INSTRUCTION MANUAL	1	
P2	F01024W00HQP	PACKING CASE,PAPER	1	S780WF
P2	F01024W10BQP	PACKING CASE,PAPER	1	S760BF
P2	F01024W10HQP	PACKING CASE,PAPER	1	S760WF
P2	F01024W20BQP	PACKING CASE,PAPER	1	S750BF
P2	F01024W20HQP	PACKING CASE,PAPER	1	S750WF
P2	F01024W70AP	PACKING CASE,PAPER	1	T790SF
P3	F01044W00AP	UPPER FILLER	1	
P4	F01054W00AP	LOWER FILLER	1	
P5	F01064W00AP	P.E.BAG	1	
P6	F01074W00AP	DOOR SHEET	1	
P7	B06014W00AP	COOKING TRAY	1	
P8	F01084W00AP	TRAY PACKING	1	
P9	B060X4P00AP	2 LEVEL RACK ASSY	1	
P10	F01104W00AP	TRAY PACKING	1	
P11	F00954W00AP	CAUTION SHEET	1	S780WF

INVERTER BOARD PARTS LIST

Ref.No.	Part No.	Part name & Description	Pcs/set	Remarks
	2SA1175TFK	TRANSISTOR SI	1	0.25W
	2SC2785TFK	TRANSISTOR SI	2	0.25W
C702	ECQE2405T847	POLYESTER CAPACITOR	1	4MF, 250VDC
C703	ECWF5454N300	FILM CAPACITOR	1	0.45MF, 500VDC
C704, C705	ECWH30822JUA	FILM CAPACITOR	2	8200PF, 3KVDC
CN701	AEMXH00703G	CONNECTOR	1	
CT701	A66904T00AP	TRANSFORMER	1	
D701, D702	A6202-4N10T	DIODE SI	2	0.3A
D703	AEDNERA3806	DIODE SI	1	0.5A
D704, D705	AEDNERA1506	DIODE SI	2	1A
D706	MA196-(TA5)	DIODE SI	1	MA196, 0.1A
DB701	AESTRBV6206	DIODE SI	1	15A, 600V
	XTW3+12B	SCREW	2	3*12 (FOR Q701)
H.S.	A66914T00AP	HEAT SINK	1	
IC702, IC703	AEICP25011HL	IC	2	PS2501-1, HL 4P
IC801	AN9DB07SB	IC	1	
L701	A50204T00AP	COIL	1	
Q701	AESCGT60M303	TRANSISTOR SI	1	170W
Q702	AESPGT30J322	TRANSISTOR SI	1	GT30J322, 75W
	XTN3+12B	SCREW	1	3*12 (FOR Q702)
Q703, Q704	2SC3311AQSTA	TRANSISTOR SI	2	2SC3311AQRS
Q705	2SA1309AQSTA	TRANSISTOR SI	1	2SA1309AQRS
R715	AERGS215J452	RESISTOR	1	4.5KΩ, 15W
VR701	A EVTZ6TLT102	VARIABLE RESISTOR	1	1KΩ, 308
ZD701, ZD703, ZD704, ZD705	AEDZ10ES2T1	ZENNER DIODE SI	4	RD10ES2T1
ZD702	AESZ12JS2T1	ZENNER DIODE SI	1	RD12JS2