

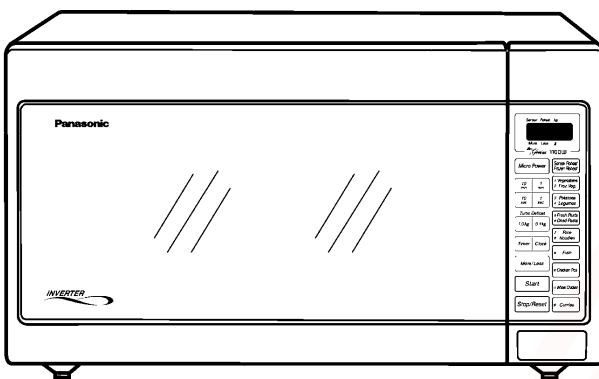
Service Manual

Microwave Oven

Simplified

NN-T584SF
NN-S574MF
NN-S564WF
NN-S554WF

QPQ(Australia & New Zealand)



Please file and use this manual together with the service manual for Model NN-S560WF (ORDER NO. SIMMC0006012C3)

Specifications:

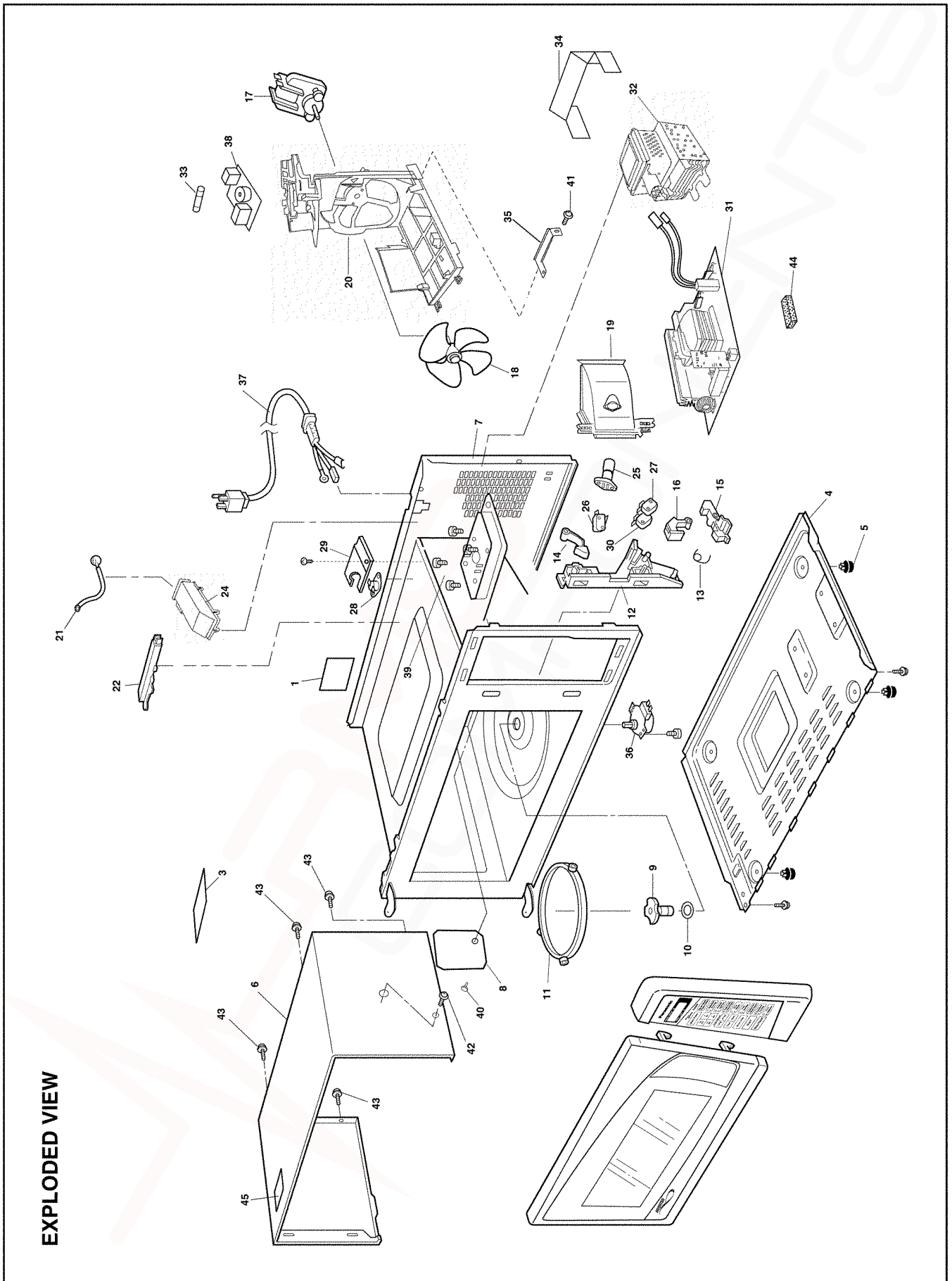
Specifications:	Models:	T584SF	S574MF	S564WF	S554WF
Power Source:	230V-240V AC Single Phase, 50Hz				
Power Requirement:	1120W				
Output:	1100W				
Microwave Frequency:	2450MHz				
Timer:	99 min. 99 sec.				
Outside Dimensions:	518mm(W) X 404mm(D) X301mm(H)				
Oven Cavity Dimensions:	375mm(W) X 386mm(D) X 225mm(H)				
Weight:	12.0 kg				
PbF	This product with PbF				
Specifications subject to change without notice.					

Panasonic®

© 2004 Shanghai Matsushita Microwave Oven Co., Ltd. All rights reserved. Unauthorized copying and distribution is a violation of law.

4 EXPLODED VIEW AND PARTS LIST

4.1. EXPLODED VIEW



4.2. PARTS LIST

NOTE:

1. When ordering replacement part(s), please use part number(s) shown in this part list.

Do not use description of the part.

2. Important safety notice:

Components identified by mark have special characteristics important for safety.

When replacing any of these components, use only manufacture's specified parts.

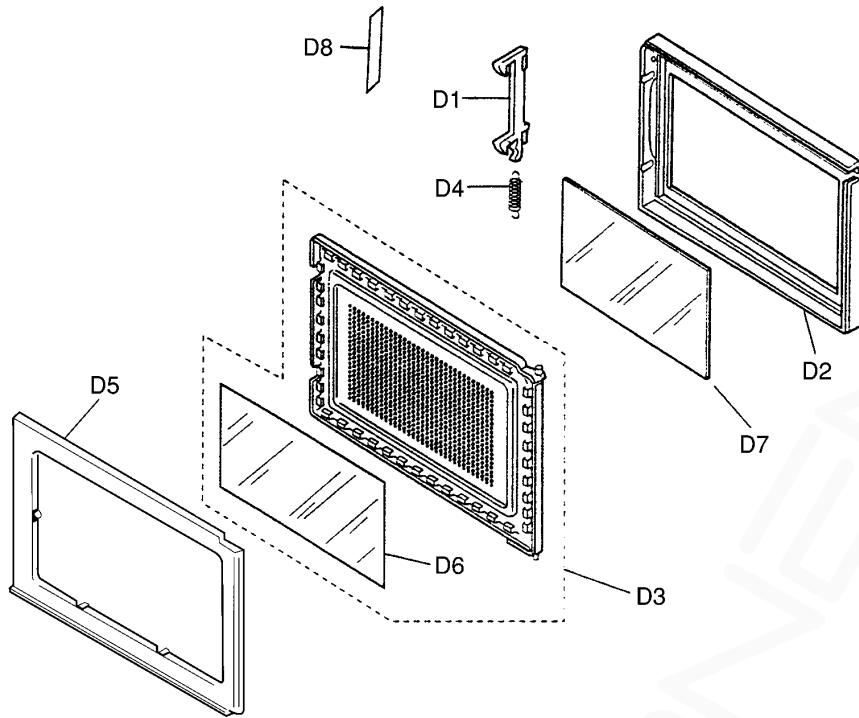
NOTE:

"A" parts are supplied by MOD (Japan)

"F" parts are supplied by SIMMC (China)

Ref. No.	Part No.	Part Name & Description	Pcs/Set	Remarks
1	F00066V00HP	CAUTION LABEL	1	
3	F21555500AP	OVEN STICKY PAPER	1	
4	F10014T00AP	BASE	1	
5	F10084T00AP	RUBBER FOOT	4	
6	F110D5Y00SAP	CABINET BODY(U)	1	T584SF
6	F110D5L70SAP	CABINET BODY(U)	1	S574MF
6	F110D5Y30HCP	CABINET BODY(U)	1	S564WF,S554WF
7	△ F200A5Y30AP	OVEN(U)	1	T584SF,S574MF,S564WF
7	△ F200A5Y40AP	OVEN(U)	1	S554WF
8	F20555L00AP	COVER	1	
9	F21315Y00AP	PULLY SHAFT	1	
10	F2177-F80	WASHER	1	
11	F290D9330AP	ROLLER RING(U)	1	
12	△ F3020-1200	DOOR HOOK	1	T584SF
12	△ F30208790XN	DOOR HOOK	1	EXCEPT T584SF
13	F3097-5L00	LATCH SPRING	1	EXCEPT T584SF
14	F3136-1200	HOOK LEVER A	1	T584SF
14	F31368790XN	HOOK LEVER A	1	EXCEPT T584SF
15	F31374650AP	HOOK LEVER B	1	T584SF
15	F31378790XN	HOOK LEVER B	1	EXCEPT T584SF
16	F31384650AP	HOOK LEVER C	1	T584SF
16	F31388790XN	HOOK LEVER C	1	EXCEPT T584SF
17	F400A6V00QP	FAN MOTOR	1	AC240V,SINGLE PHASE,50Hz
18	F40084T00AP	FAN BLADE	1	
19	F40254T00AP	AIR GUIDE A	1	
20	F41444T00AP	ORIFICE	1	
21	A607S4T00AP	STEAM SENSOR	1	T584SF,S574MF,S564WF
22	F64508660AP	SENSOR COVER B	1	T584SF,S574MF,S564WF
24	F65434T00AP	SENSOR COVER C	1	T584SF,S574MF,S564WF
25	F612E4Y00XN	INCANDESCENT LAMP (U)	1	240V,20W
26	△ J61424T00AP	MICRO SWITCH	1	(PRIMARY LATCH SWITCH) (V-15G-3C25)
27	△ J61414T00AP	MICRO SWITCH	1	(SECONDARY LATCH SWITCH) (D3V-16G-3C25)
28	△ F61455L00CP	THERMAL CUTOOUT	1	105C
29	F66264T00CP	THERMAL CUTOOUT INSULATION BRACKET	1	
30	△ J61784T00AP	MICRO SWITCH	1	(SHORT SWITCH) (D3V-1G-2C25)
31	△ F606Y4V00XN	H.V. INVERTER (U)	1	
32	△ 2M261-M32J	MAGNETRON	1	
33	△ A62304210BP	FUSE	1	10A/240V,50Hz
34	F40264T60AP	AIR GUIDE B	1	
35	F61844T00AP	GROUNDING PLATE	1	
36	F63265U30XN	TURNTABLE MOTOR	1	
37	△ F900C9660QP	AC CORD W/PLUG	1	
38	J692Y4T00QPR	NOISE FILTER (U)	1	
39	XTWFA4+12T	SCREW	4	FOR MAGNETRON
40	XTTFA4+6BN	SCREW	1	FOR COVER
42	XTCAFA4+12AFM	SCREW	1	FOR CABINET BODY SIDE (T***SF)
42	XTCAFA4+12AFS	SCREW	1	FOR CABINET BODY SIDE (S***MF)
42	XTCAFA4+12AFW	SCREW	1	FOR CABINET BODY SIDE (S***WF)
43	XTWFA4+12D	SCREW	4	FOR CABINET BODY
44	F0926100BB	CUSHION RUBBER	1	FOR INVERTER HEAT SINK
45	F02445Y00AP	CAUTION LABEL	1	T584SF

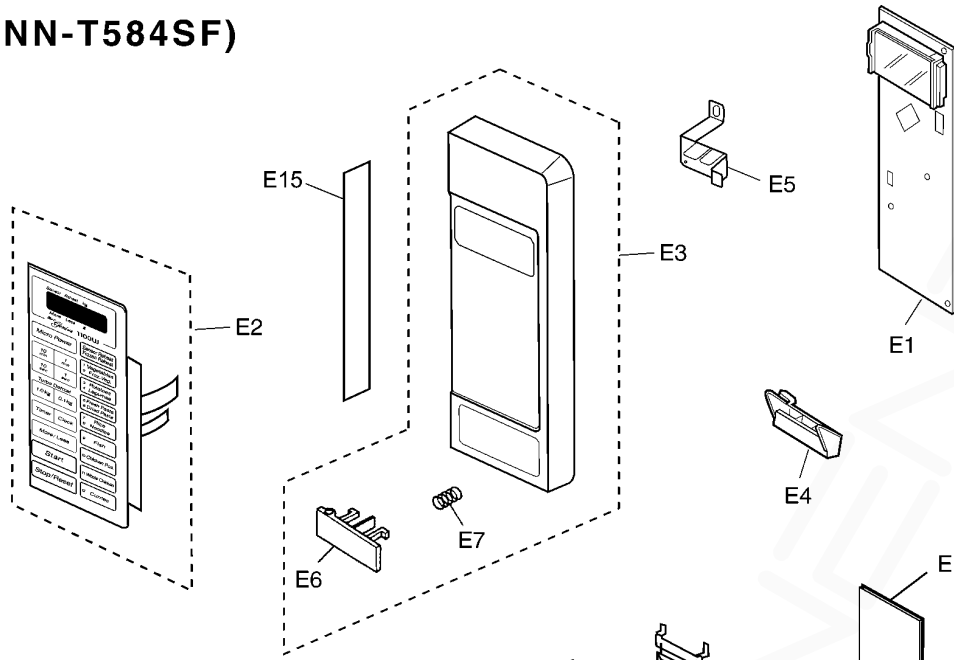
4.3. DOOR ASSEMBLY



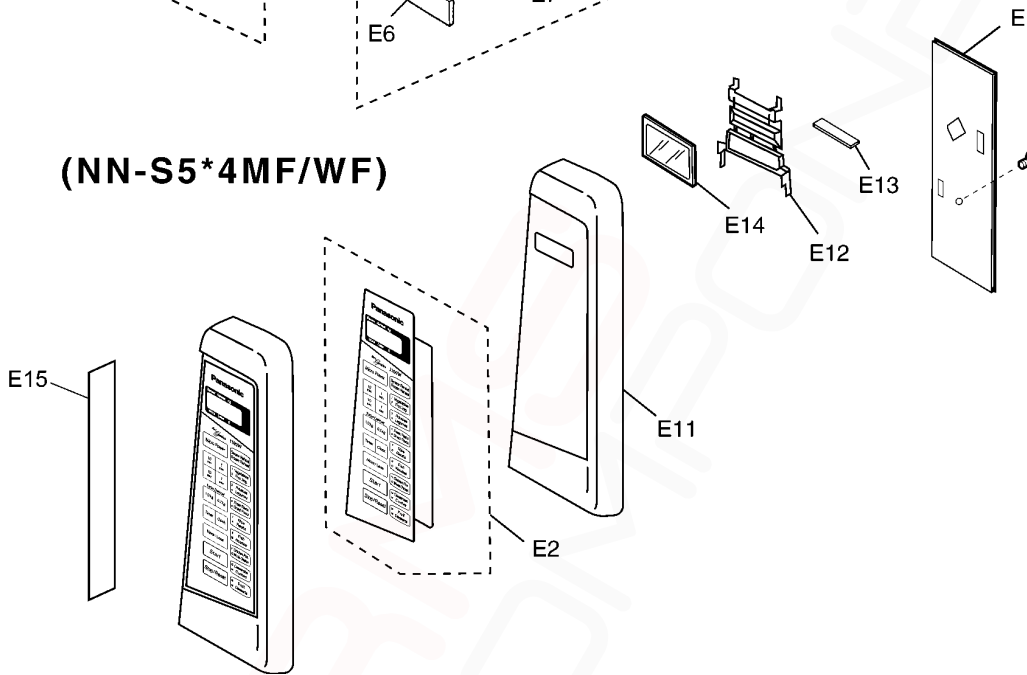
Ref. No.	Part No.	Part Name & Description	Pcs/Set	Remarks
D1	F3018-1200	DOOR KEY A	1	T584SF
D1	F30184Y30XN	DOOR KEY A	1	EXCEPT T584SF
D2	△ F302A6V60SAP	DOOR A (U)	1	T584SF
D2	△ F30016V70SAP	DOOR A	1	S574MF
D2	△ F30015L00HAP	DOOR A	1	S564WF, S554WF
D3	△ F302K5L00AP	DOOR E (U)	1	
D4	F30215G10XN	DOOR KEY SPRING	1	
D5	△ F30854T00AP	DOOR C	1	
D6	△ F31456V60AP	DOOR SCREEN A	1	
D7	F31465Y20SAP	DOOR SCREEN B	1	T584SF
D7	F31465L00BAP	DOOR SCREEN B	1	S574MF
D7	F31465L00HAP	DOOR SCREEN B	1	S564WF, S554WF
D8	F01726V00JP	CAUTION LABEL B	1	

4.4. ESCUTCHEON BASE ASSEMBLY

(NN-T584SF)

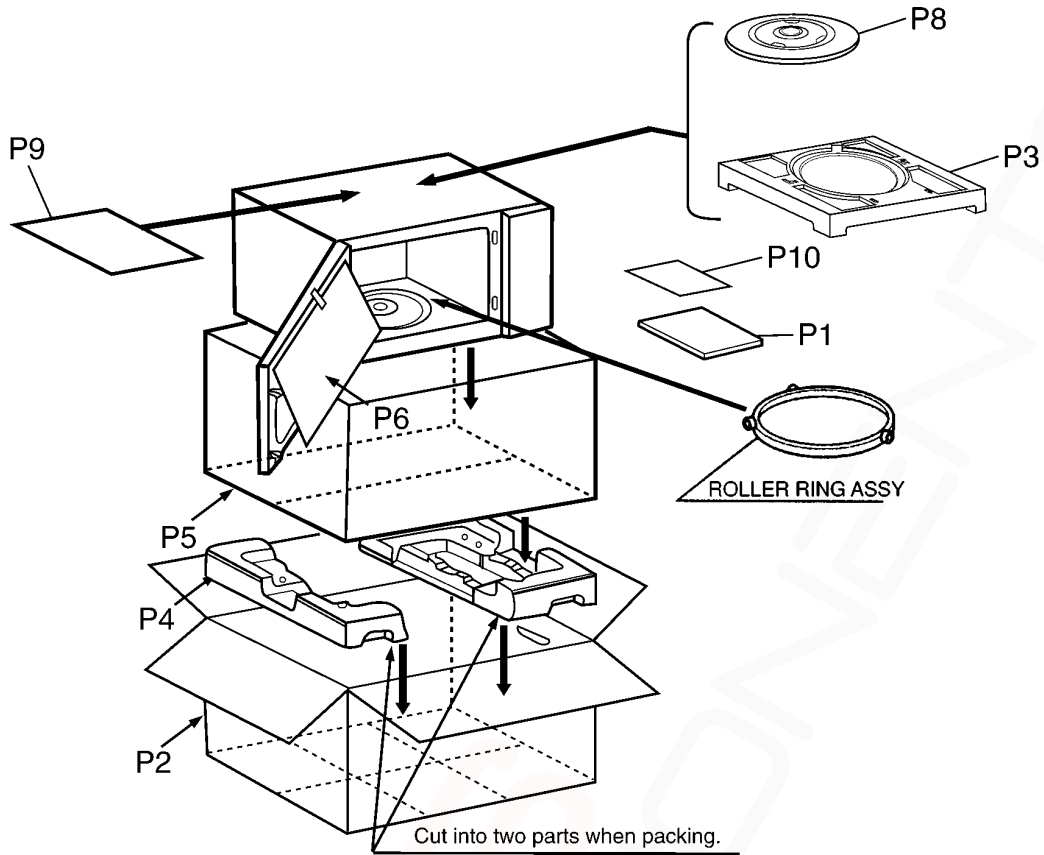


(NN-S5*4MF/WF)



Ref. No.	Part No.	Part Name & Description	Pcs/Set	Remarks
E1	F603L6V60QP	D.P.CIRCUIT	1	T584SF
E1	F603L6V70QP	D.P.CIRCUIT	1	S574MF
E1	F603L6V80QP	D.P.CIRCUIT	1	S564WF
E1	F603L6V90QP	D.P.CIRCUIT	1	S554WF
E2	F630Y6V60SQP	MEMBRANE SWITCH (U)	1	T584SF
E2	F630Y6V70SQP	MEMBRANE SWITCH (U)	1	S574MF
E2	F630Y6V80HQP	MEMBRANE SWITCH (U)	1	S564WF
E2	F630Y6V90HQP	MEMBRANE SWITCH (U)	1	S554WF
E3	F800L5Y00BAP	CONTROL PANEL (AU)	1	T584SF
E4	F82565Y00AP	DOOR OPENING LEVEL	1	T584SF
E5	F90095X00AP	BACK PANEL	1	T584SF
E6	F80725Y00SAP	DOOR OPENING BUTTON (U)	1	T584SF
E7	F80375K00AP	COOK BUTTON SPRING	1	T584SF
E11	F80345L70SAP	ESCUTCHEON BASE	1	S574MF
E11	F80345L00HAP	ESCUTCHEON BASE	1	S564WF, S554WF
E12	F66175L00AP	DISPLAY TUBE COVER	1	EXCEPT T584SF
E13	F67005U40XN	RUBBER CONNECTOR	1	EXCEPT T584SF
E14	AEDDHJ5G60XN	DISPLAY	1	EXCEPT T584SF
E15	F00076V60SQP	NAME PLATE	1	T584SF
E15	F00076V70SQP	NAME PLATE	1	S574MF
E15	F00076V80HQP	NAME PLATE	1	S564WF
E15	F00076V90HQP	NAME PLATE	1	S554WF

4.5. PACKING AND ACCESSORIES



Ref. No.	Part No.	Part Name & Description	Pcs/Set	Remarks
P1	F00036V60QP	INSTRUCTION MANUAL	1	
P2	F01026V60SQP	PACKING CASE, PAPER	1	T584SF
P2	F01026V70SQP	PACKING CASE, PAPER	1	S574MF
P2	F01026V80HQP	PACKING CASE, PAPER	1	S564WF
P2	F01026V90HQP	PACKING CASE, PAPER	1	S554WF
P3	F01046K50AP	UPPER FILLER	1	
P4	F01055L00AP	LOWER FILLER	1	
P5	F01068100XN	P.E.BAG	1	
P6	F01078100XN	DOOR SHEET	1	
P8	F06014T00AP	COOKING TRAY	1	
P9	F01924T00AP	SHEET	1	T584SF, S574MF
P10	F00065G40AP	CAUTION LABEL	1	