

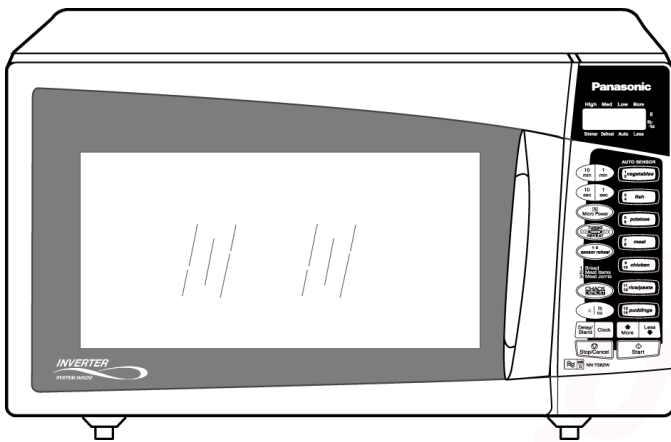
# Service Manual

## Microwave Oven

*Simplified*

**NN-S562WF**  
**NN-S552WF**  
**NN-S542WF**

QPQ(Australia & New Zealand)



Please file and use this manual together with the service manual for Model NN-S560WF (ORDER NO. SIMMC0006012C3)

### Specifications:

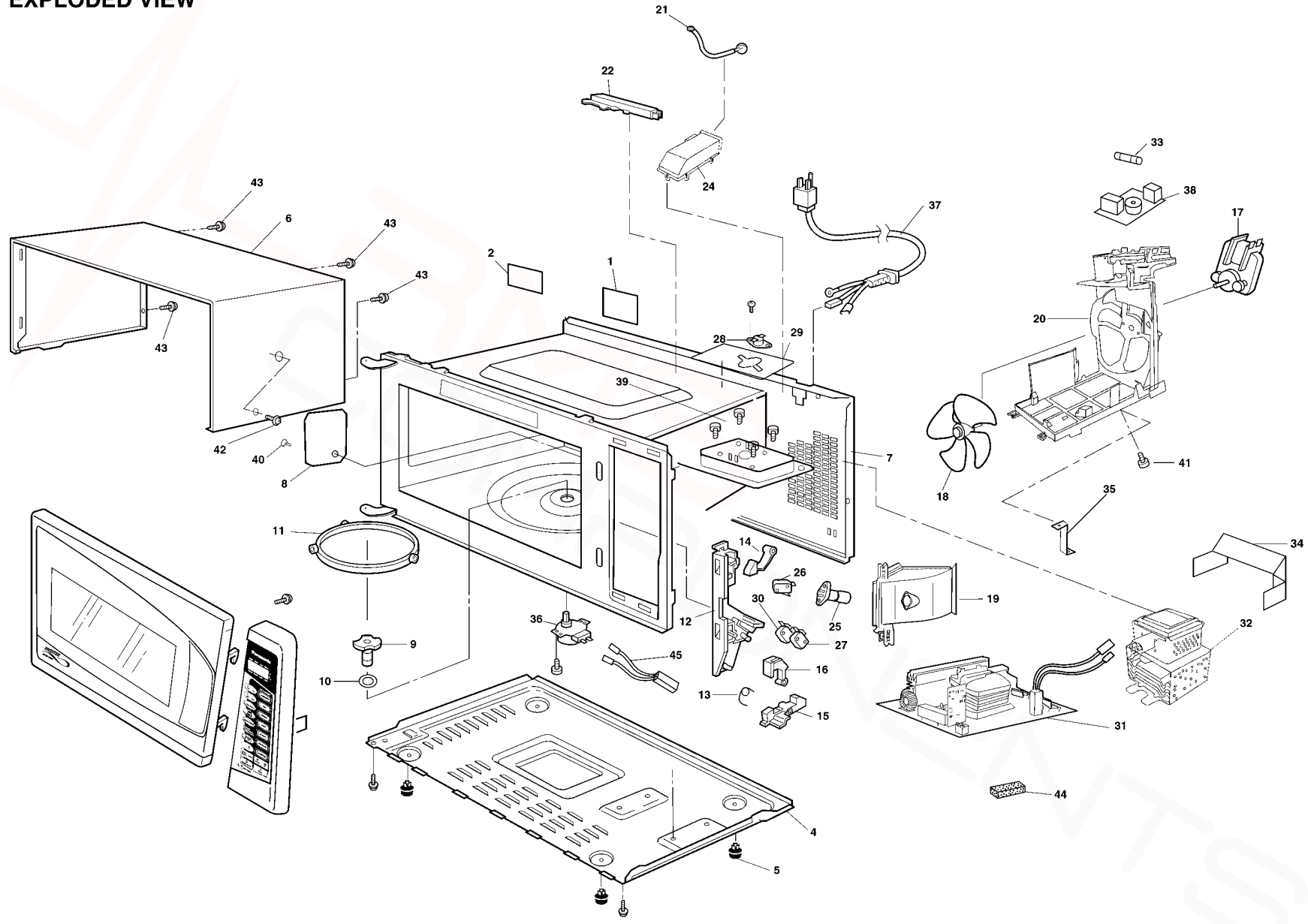
Specifications:	Models:	S562WF	S552WF	S542WF
Power Source:	230V-240V AC Single Phase, 50Hz			
Power Requirement:	1120W	1120W	1120W	1120W
Output(IEC705-88):	1200W	1200W	1200W	1200W
Microwave Frequency:	2450MHz			
Timer:	99 min. 99 sec.			
Outside Dimensions:	518mm(W) X 404mm(D) X301mm(H)			
Oven Cavity Dimensions:	375mm(W) X 386mm(D) X 225mm(H)			
Weight:	12.0 kg			
PbF	This product with PbF			
Output power: IEC705-88 Test Procedure				
Specifications subject to change without notice.				

**Panasonic®**

© 2002 Shanghai Matsushita Microwave Oven Co., Ltd. All rights reserved. Unauthorized copying and distribution is a violation of law.

# 4 EXPLODED VIEW AND PARTS LIST

## EXPLODED VIEW



# 5 PARTS LIST

**NOTE:**

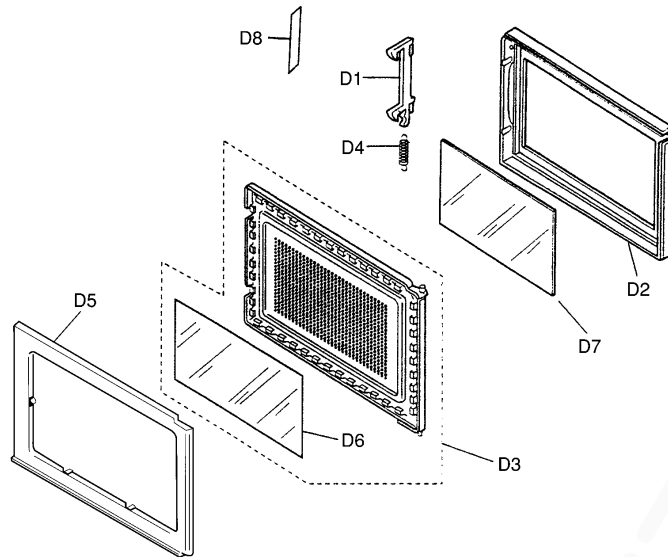
1. When ordering replacement part(s), please use part number(s) shown in this part list.  
Do not use description of the part.
2. Important safety notice:  
Components identified by mark have special characteristics important for safety.  
When replacing any of these components, use only manufacture's specified parts.

**NOTE:**

“A” parts are supplied by MOD (Japan)  
“F” parts are supplied by SIMMC (China)

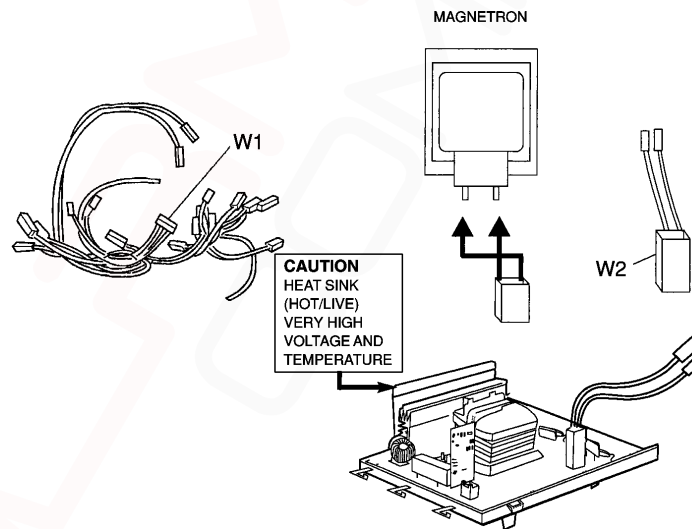
Ref. No.		Part No.	Part Name & Description	Pcs/Set	Remarks
1		F00068100HN	CAUTION LABEL	1	
2		F00075L00QP	NAME PLATE	1	S562WF
2		F00075T60QP	NAME PLATE	1	S552WF
2		F00075L10QP	NAME PLATE	1	S542WF
4		F10014T00AP	BASE	1	
5		F10084T00AP	RUBBER FOOT	4	
6		F110D4T00HAP	CABINET BODY (U)	1	
7	△	F201A4T00AP	OVEN (U)	1	S562WF
7	△	F201A4T10AP	OVEN (U)	1	S552WF, S542WF
8		F20555L00AP	COVER	1	
9		F21314W00AP	PULLY SHAFT	1	
10		F2177-F80	WASHER	1	
11		F290D9330AP	ROLLER RING (U)	1	
12	△	F30208790XN	DOOR HOOK	1	
13		F3097-5L00	LATCH SPRING	1	
14		F31368790XN	HOOK LEVER A	1	
15		F31378790XN	HOOK LEVER B	1	
16		F31388790XN	HOOK LEVER C	1	
17		F400A4T10QP	FAN MOTOR	1	AC240V, SINGLE PHASE, 50Hz
18		F40084T00AP	FAN BLADE	1	
19		F40254T00AP	AIR GUIDE A	1	
20		F41444T00AP	ORIFICE	1	
21		A707S4T00AP	STEAM SENSOR	1	S562WF
22		F64508660AP	SENSOR COVER B	1	S562WF
24		F65434T00AP	SENSOR COVER C	1	S562WF
25		F612E4Y00XN	INCANDESCENT LAMP (U)	1	240V, 20W
26	△	J61415G10XN	MICROSWITCH	1	(PRIMARY LATCH SWITCH) (V-15G-3C25)
27	△	J61414T00AP	MICROSWITCH	1	(SECONDARY LATCH SWITCH) (D3V-16G-3C25)
28	△	F61455L00CP	THERMAL CUTOUT	1	105°C
29		F66264T00CP	THERMAL CUTOUT INSULATION BRACKET	1	
30	△	J61784T00AP	MICROSWITCH	1	(SHORT SWITCH) (D3V-1G-2C25)
31	△	F606Y4V00XN	H.V. INVERTER (U)	1	
32	△	2M261-M32G	MAGNETRON	1	
33	△	A62304210BP	FUSE	1	10A/240V, 50Hz
34		F40264T60AP	AIR GUIDE B	1	
35		F61844T00AP	GROUNDING PLATE	1	
36		F63264760JP	TURNTABLE MOTOR	1	
37	△	F900C9660QP	AC CORD W/PLUG	1	
38		J692Y4T00QP	NOISE FILTER (U)	1	
39		XTWFA4+12T	SCREW	4	FOR MAGNETRON
40		XTTFA4+6BN	SCREW	1	FOR COVER
41		XYD4+EE12F	SCREW	1	FOR GROUNDING
42		XTCAFA4+12AFW	SCREW	1	FOR CABINET BODY SIDE
43		XTWFA4+12D	SCREW	4	FOR CABINET BODY
44		F0926100BB	CUSHION RUBBER	1	FOR INVERTER HEAT SINK
45		F03528100XN	LEAD WIRE HARNESS	1	

## 6 DOOR ASSEMBLY



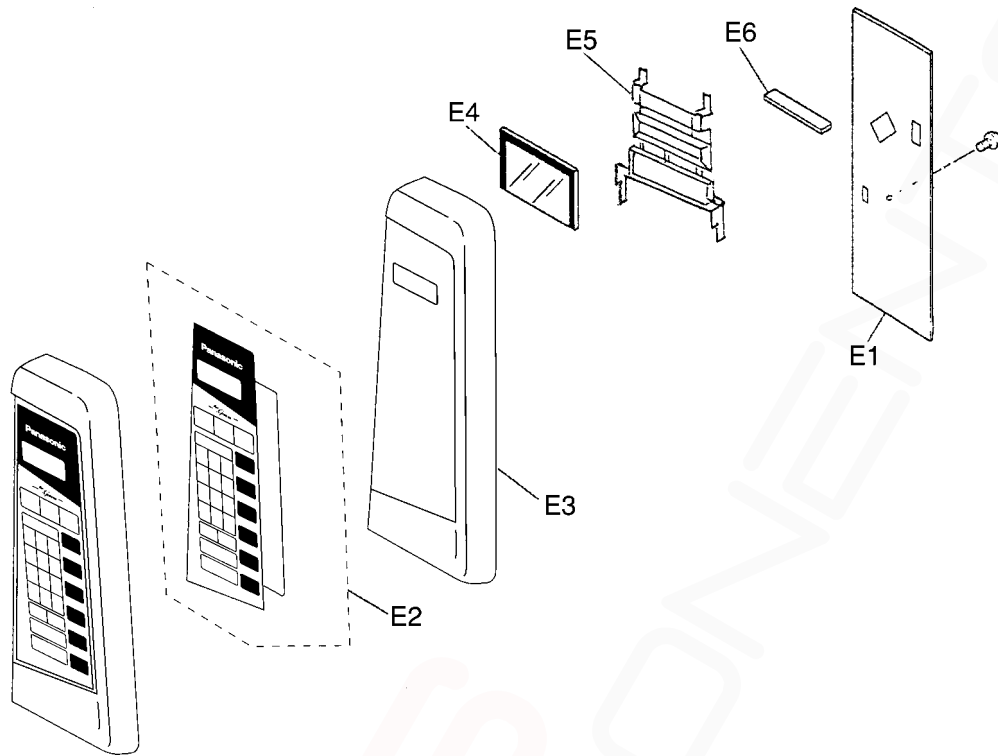
Ref. No.		Part No.	Part Name & Description	Pcs/Set	Remarks
D1		F30184Y30XN	DOOR KEY A	1	
D2	⚠	F30015L00HAP	DOOR A	1	
D3	⚠	F302K5L00AP	DOOR E (U)	1	
D4		F30215G10XN	DOOR KEY SPRING	1	
D5	⚠	F30854T00AP	DOOR C	1	
D6	⚠	F31454T00AP	DOOR SCREEN A	1	
D7		F31465L00BAP	DOOR SCREEN B	1	
D8		F01729660JP	CAUTION LABEL B	1	

## 7 WIRING MATERIALS



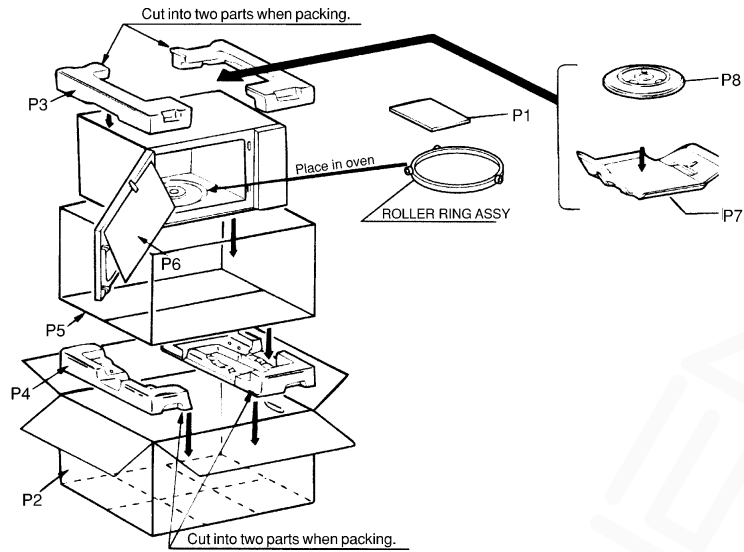
Ref. No.		Part No.	Part Name & Description	Pcs/Set	Remarks
W1		F030A4T00QP	LEAD WIRE HARNESS	1	
W2		F030E4T00CP	H.V. LEAD WIRE	1	

# 8 ESCUTCHEON BASE ASSEMBLY



Ref. No.	Part No.	Part Name & Description	Pcs/Set	Remarks
E1	F603L5L00QP	D.P.CIRCUIT	1	S562WF
E1	F603L5T60QP	D.P.CIRCUIT	1	S552WF
E1	F603L5L10QP	D.P.CIRCUIT	1	S542WF
E2	F630Y5L00HQP	MEMBRANE SWITCH (U)	1	S562WF
E2	F630Y5T60HQP	MEMBRANE SWITCH (U)	1	S552WF
E2	F630Y5L10HQP	MEMBRANE SWITCH (U)	1	S542WF
E3	F80345L00HAP	ESCUTCHEON BASE	1	
E4	AEDDHJ5G60XN	DISPLAY	1	
E5	F66175L00AP	DISPLAY TUBE COVER	1	
E6	A67004T00AP	RUBBER CONNECTOR	1	

# 9 PACKING AND ACCESORIES



Ref. No.	Part No.	Part Name & Description	Pcs/Set	Remarks
P1	F00035L00QP	INSTRUCTION MANUAL	1	
P2	F01025L00HQP	PACKING CASE, PAPER	1	S562WF
P2	F01025T60HQP	PACKING CASE, PAPER	1	S552WF
P2	F01025L10HQP	PACKING CASE, PAPER	1	S542WF
P3	F01045T20RP	UPPER FILLER	1	
P4	F01055L00AP	LOWER FILLER	1	
P5	F01068100XN	P. E. BAG	1	
P6	F01078100XN	DOOR SHEET	1	
P7	F01085T20RP	TRAY PACKING	1	
P8	A06014T00AP	COOKING TRAY	1	

## INVERTER BOARD PARTS LIST (F606Y4V00XN)

Ref. No.	Part No.	Part Name & Description	Pcs/Set	Remarks
C701	AECQ2G104JC1	CAPACITOR	1	0.1μF 500VDC
C702	ECQE2405T847	CAPACITOR	1	4μF 250VDC
C703	AECQ2H454JC3	CAPACITOR	1	0.45μF 500VDC
C704 C705	ECWH30822JUA	CAPACITOR	2	8200PF 3000VDC
CN701	AEMXH00703G	CONNECTOR	1	
D701 D702	△ A62024V00GP	DIODE SI	2	0.3A
D703	AESSRCT1H7-E	DIODE SI	1	
D704 D705	AESSRCT1A6-E	DIODE SI	2	
D706	AESS133T-77	DIODE SI	1	MA196, 0.1A
DB701	AESTRS2006M	DIODE SI	1	20A, 600V
	XTWA3+12B	SCREW	2	3*12 (FOR DB701 Q701)
	XTNA3+12B	SCREW	1	3*12 (FOR Q702)
H.S.	F66914V00XN	HEAT SINK	1	
IC702 IC703	AEICTLP421	IC	2	
IC801	AN9DB07SB-E1	IC	1	
L701	F50204V00XN	CHOKE COIL	1	
Q701	A691E4V10GP	TRANSISTOR SI	1	
Q702	A691E4V10GP	TRANSISTOR SI	1	
C806	A691E4V10GP	CAPACITOR	1	56PF TRANSISTOR(Q701 Q702) KIT
Q703 Q704	2SC2785TFK	TRANSISTOR SI	2	
Q705	2SA1175TFK	TRANSISTOR SI	1	
R715	AERGRY15J452	RESISTOR	1	4.5kΩ, 15W
VR701	AEVTZ6TLT102	VARIABLE RESISTOR	1	1kΩ, 30%
ZD701, ZD703, ZD704, ZD705	AESZMTZJ10B	ZENER DIODE SI	4	
ZD702	AESZMTZJ12C	ZENER DIODE SI	1	
T701	A609A4V00GP	H.V. TRANSFORMER	1	
CT701	F66904V00XN	CURRENT TRANSFORMER	1	