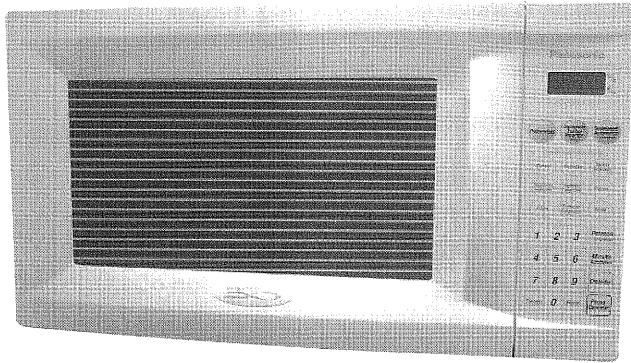


Service Manual

Microwave Oven

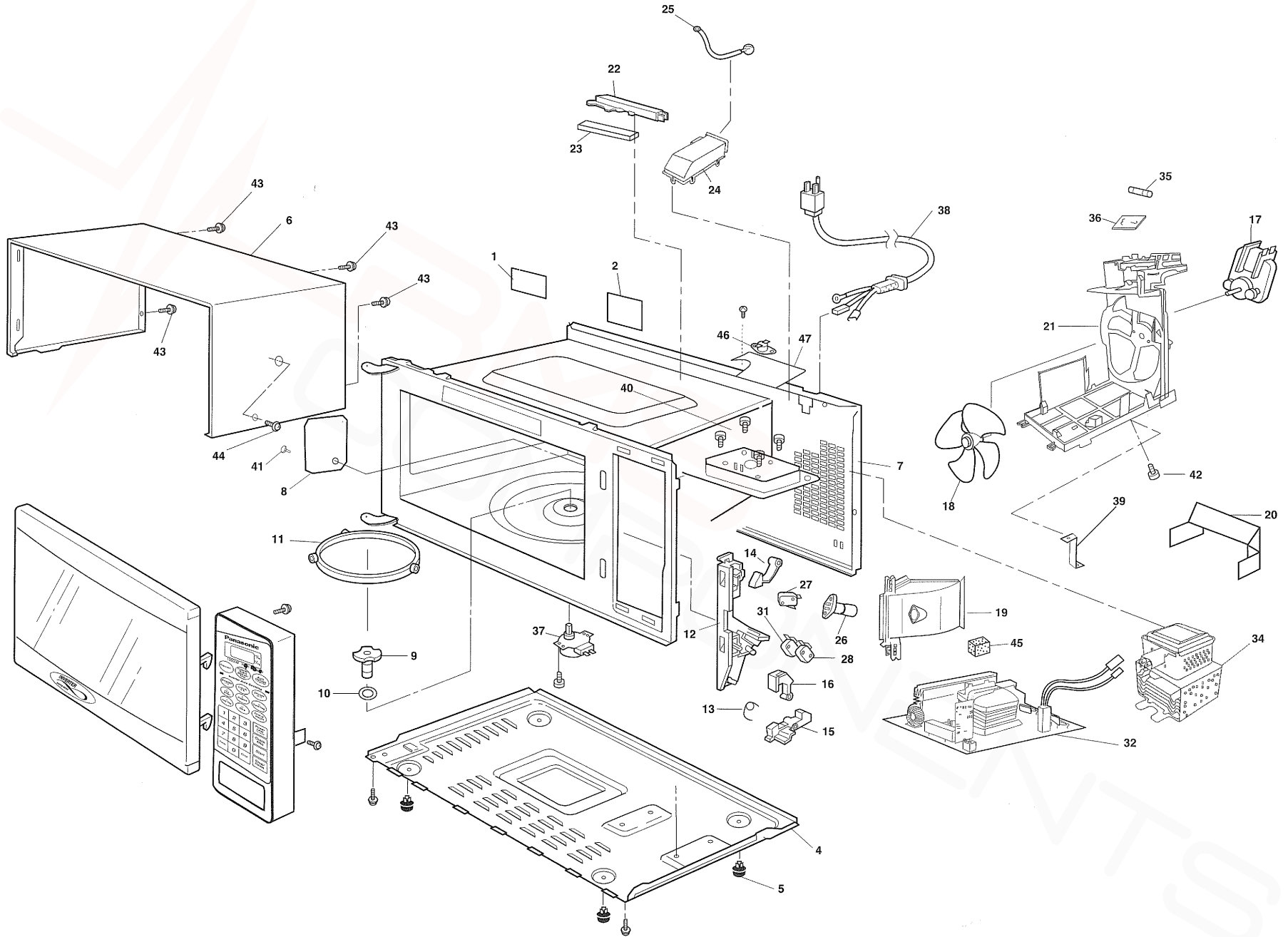


MODELS	QPQ
	Australia
NN-S560WF	○
NN-S550WF	○
NN-S540WF	○

Specifications:

Specifications:	Models:	NN-S560WF	NN-S550WF	NN-S540WF
Power Source:	230V~240V AC Single Phase, 50Hz			
Power Requirement:	1040W		1040W	1040W
Output(IEC705-88):	1100W		1100W	1100W
Microwave Frequency:	*2450MHz			
Timer:	*90 min. 99 sec.			
Outside Dimensions:	*20"(518mm)(W) × 16"(407mm)(D) × 11"(301mm)(H)			
Oven Cavity Dimensions:	*14"(375mm)(W) × 15"(386mm)(D) × 8"(225mm)(H)			
Weight:	*26.5 lbs. (12.0kg)			
Output power: IEC705-88 Test Procedure				
Specifications subject to change without notice.				

EXPLODED VIEW AND PARTS LIST

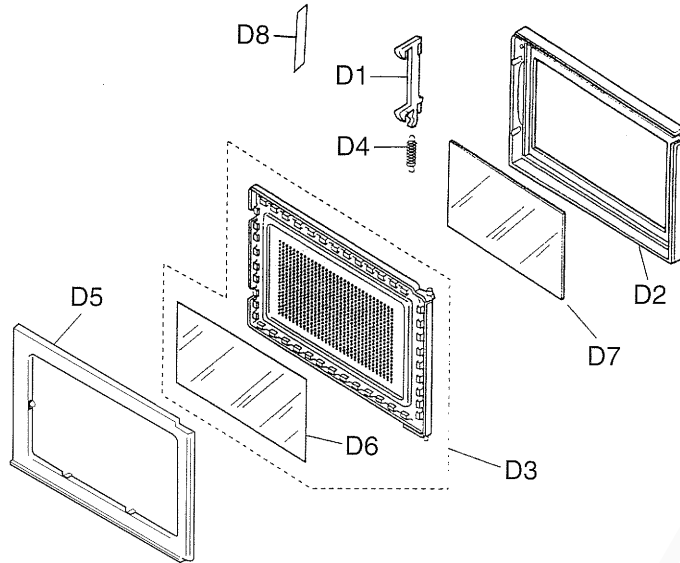


PARTS LIST

- NOTE 1: When ordering replacement part(s), please use part number(s) shown in this part list.
Do not use description of the part.
- 2: Important safety notice:
Components identified by \triangle mark have special characteristics important for safety.
When replacing any of these components, use only manufacture's specified parts.

Ref.No.		Part No.	Part name & Description	Pcs/ Set	Remarks
1		F00068100HN	CAUTION LABEL	1	
2		F00074T00QP	NAME PLATE	1	S560WF
2		F00074T10QP	NAME PLATE	1	S550BF
2		F00074T20QP	NAME PLATE	1	S540WF
4		F10014T00AP	BASE	1	
5		F10084T00AP	RUBBER FOOT	4	
6		F110D4T00HAP	CABINET BODY	1	
7	\triangle	F201A4T00QP	OVEN	1	S560WF
7	\triangle	F201A4T10QP	OVEN	1	S550WF, S540WF
8		F20554T00AP	COVER	1	
9		F21314T00AP	PULLY SHAFT	1	
10		F2177-F80	WASHER	1	
11		B290D9330AP	ROLLER RING (U)	1	
12	\triangle	F30208790XN	DOOR HOOK	1	
13		F3097-1480	LATCH SPRING	1	
14		F31368790XN	HOOK LEVER A	1	
15		F31378790XN	HOOK LEVER B	1	
16		F31388790XN	HOOK LEVER C	1	
17		F400A4T10QP	FAN MOTOR	1	AC240V, SINGLE PHASE, 50Hz
18		F40084T00AP	FAN BLADE	1	
19		F40254T00AP	AIR GUIDE A	1	
20		F40264T60AP	AIR GUIDE B	1	
21		F41444T00AP	ORIFICE	1	
22		F64505540AP	SENSOR COVER B	1	S560WF
23		F65435540AP	SENSOR COVER C	1	S560WF
24		F65434T00AP	SENSOR COVER C	1	S560WF
25		A707S4T00AP	STEAM SENSOR	1	S560WF
26		F612E4J50XN	INCANDESCENT LAMP (U)	1	AC240V, 25W, 50Hz
27	\triangle	J61424T00AP	MICRO SWITCH	1	(V-16G-3C25-L)
28	\triangle	J61414T00AP	MICRO SWITCH	1	(D3V-16G-3C25)
31	\triangle	J61784T00AP	MICRO SWITCH	1	(SHORT SWITCH) (D3V-1G-2C25)
32	\triangle	A606Y4V00GP	H.V.INVERTER (U)	1	
34	\triangle	2M261-M32G	MAGNETRON	1	
35	\triangle	A62304210BP	FUSE	1	10A/240V, 50Hz
36		J692Y4T00QP	NOISE FILTER	1	
37		A63264760JP	TURNTABLE MOTOR	1	
38	\triangle	F900C9660QP	AC CORD W/PLUG	1	
39		F61844T00AP	GROUNDING PLATE	1	
40		XTWANE+10RU	SCREW	4	FOR MAGNETRON
41		XST4+5VS	SCREW	1	FOR COVER
42		XYD4+EE12F	SCREW	1	FOR H.V.INVERTER EARTH
43		XTWAFE4+12D	SCREW	4	FOR CABINET BODY
44		XTCA4+12AFK	SCREW	1	FOR CABINET BODY SIDE
45		F0926000BB	CUSHION RUBBER	1	FOR INVERTER P.C.B
46		F61454T00CP	THERMAL CUTOUT SWITCH	1	
47		F66264T00CP	THERMAL CUTOUT BRACKET	1	

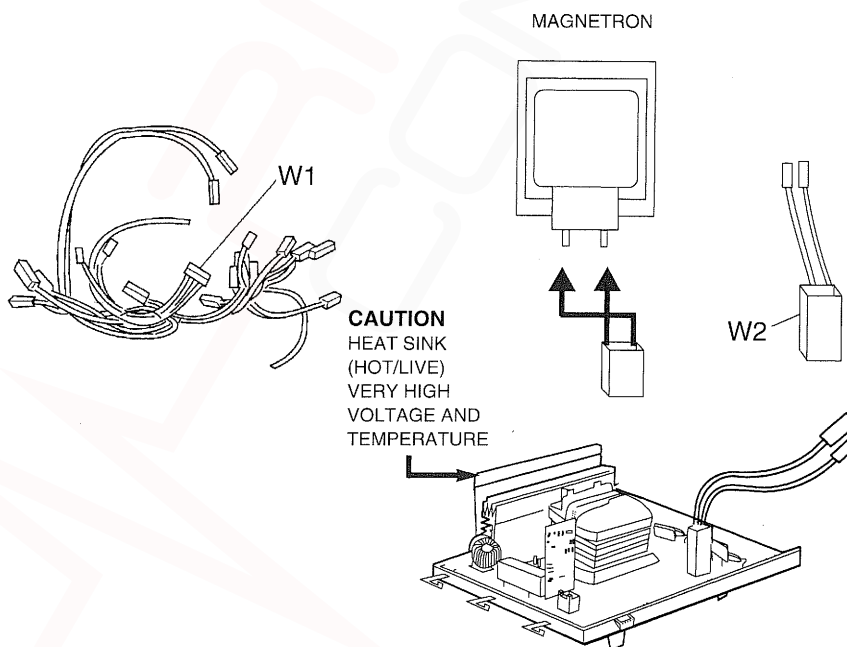
DOOR ASSEMBLY



(S-4T0)

Ref.No.	Part No.	Part name & Description	Pcs/ Set	Remarks
D1	F30188790XN	DOOR KEY A	1	
D2	△ F30014T00HAP	DOOR A	1	
D3	△ F302K4T00AP	DOOR E (U)	1	
D4	F30214000AP	DOOR KEY SPRING	1	
D5	△ F30854T00AP	DOOR C	1	
D6	△ F31454T00AP	DOOR SCREEN A	1	
D7	F31464T00BAP	DOOR SCBEEN B	1	
D8	F01729660JP	DHHS LABEL	1	

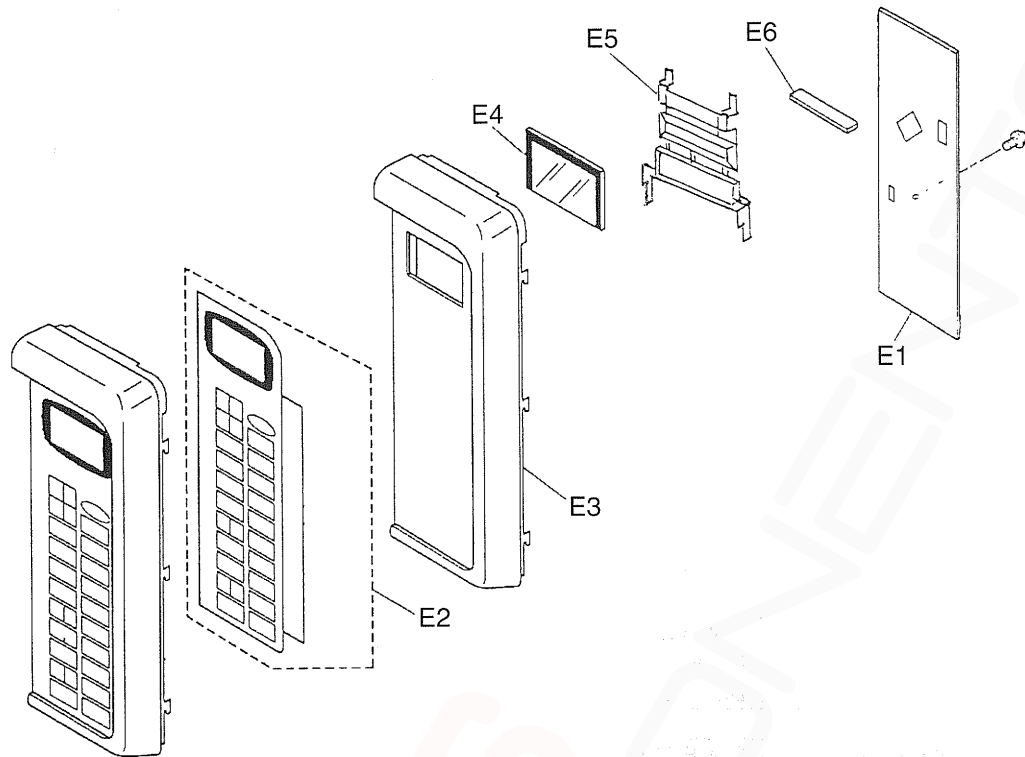
WIRING MATERIALS



(S-4T0)

Ref.No.	Part No.	Part name & Description	Pcs/ Set	Remarks
W1	F030A4T00QP	LEAD WIRE HARNESS	1	
W2	F030E4T00CP	H.V.LEAD WIRE	1	

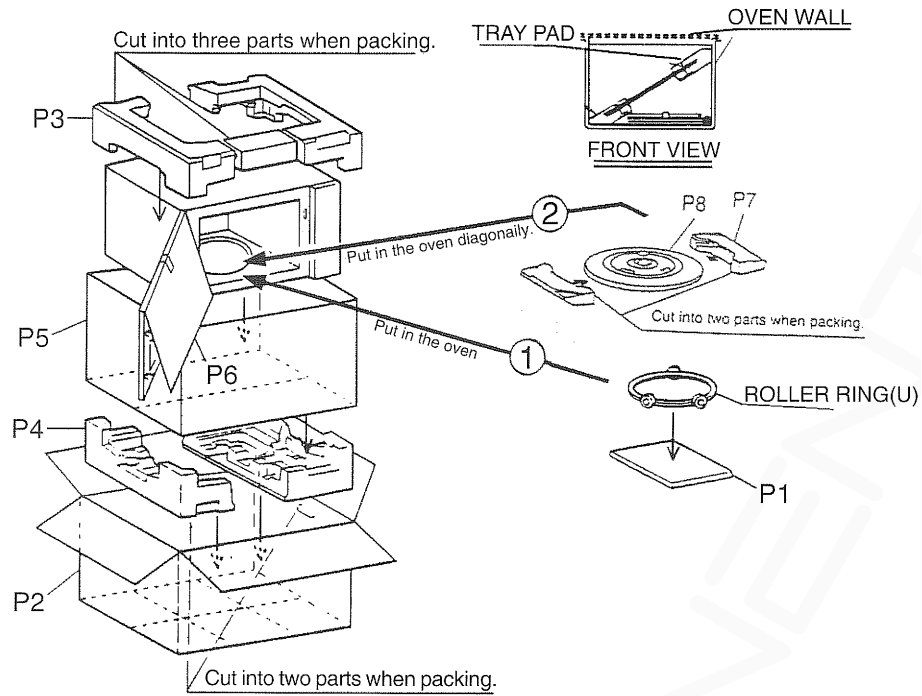
ESCUTHEON BASE ASSEMBLY



(S-4T0)

Ref.No.	Part No.	Part name & Description	Pcs/ set	Remarks
E1	F603L4T00QP	D.P.CIRCUIT	1	S560WF RTL (W/COMPONENT)
E1	F603L4T10QP	D.P.CIRCUIT	1	S550WF RTL (W/COMPONENT)
E1	F603L4T20QP	D.P.CIRCUIT	1	S540WF RTL (W/COMPONENT)
E2	F630Y4T00HQP	MEMBRANE SWITCH	1	S560WF
E2	F630Y4T10HQP	MEMBRANE SWITCH	1	S550WF
E2	F630Y4T20HQP	MEMBRANE SWITCH	1	S540WF
E3	F80344T00HAP	ESCUTCHEON BASE	1	
E4	AEDDRCD4T0AP	DISPLAY	1	
E5	F66174T00AP	DISPLAY TUBE COVER	1	
E6	A67004T00AP	RUBBER CONNECTOR	1	

PACKING AND ACCESORIES



(S-4T0)

Ref.No.	Part No.	Part name & Description	Pcs/ set	Remarks
P1	F00034T00QP	INSTRUCTION MANUAL	1	
P2	F01024T00HQP	PACKING CASE,PAPER	1	S560WF
P2	F01024T10HQP	PACKING CASE,PAPER	1	S550WF
P2	F01024T20HQP	PACKING CASE,PAPER	1	S540WF
P3	F01044T00AP	UPPER FILLER	1	
P4	F01054T00AP	LOWER FILLER	1	
P5	F01068100XN	P.E.BAG	1	
P6	F01078100XN	DOOR SHEET	1	
P7	F01134T00AP	TRAY STYROL	1	
P8	A06014T00AP	COOKING TRAY	1	

INVERTER BOARD PARTS LIST

Ref.No.	Part No.	Part name & Description	Pcs/ set	Remarks
	2SA1175TFK	TRANSISTOR SI	1	0.25W
	2SC2785TFK	TRANSISTOR SI	2	0.25W
C702	ECWF2455JBA	POLYESTER CAPACITOR	1	4MF, 250VDC
C703	ECWF4684JBA	FILM CAPACITOR	1	0.45MF, 500VDC
C704	ECWH30822JUA	FILM CAPACITOR	1	
C705	ECWH30562JUA	FILM CAPACITOR	1	
CN701	AEEMXH00703W	CONNECTOR	1	
CT701	A66904T00AP	TRANSFORMER	1	
D701, D702	△A6202-4N10T	DIODE SI	2	0.3A
D703	AEDNERA3806	DIODE SI	1	0.5A
D704, D705	AEDNERA1506	DIODE SI	2	1A
D706	MA196-(TA5)	DIODE SI	1	MA196, 0.1A
DB701	AESTRBV6206	DIODE SI	1	15A, 600V
	XTW3+12B	SCREW	2	3*12 (FOR Q701)
H.S.	A66914T00AP	HEAT SINK	1	
IC702, IC703	AEICP25011HL	IC	2	PS2501-1, HL 4P
IC801	AN9DF028-T2	IC	1	
L701	A50204T00AP	COIL	1	
Q701	AESCH50D060	TRANSISTOR SI	1	
Q702	AESCA30D060	TRANSISTOR SI	1	
	XTN3+12B	SCREW	1	3*12 (FOR Q702)
Q703, Q704	2SC3311AQSTA	TRANSISTOR SI	2	2SC3311AQRS
Q705	2SA1309AQSTA	TRANSISTOR SI	1	2SA1309AQRS
R715	AERGS207J202	RESISTOR	1	4.5KΩ, 15W
VR701	AEVTZ6TLT501	VARIABLE RESISTOR	1	1KΩ, 308
ZD701,ZD703,ZD704,ZD705	AEDZ10ES2T1	ZENNER DIODE SI	4	RD10ES2T1
ZD702	AESZ12JS2T1	ZENNER DIODE SI	1	RD12JS2