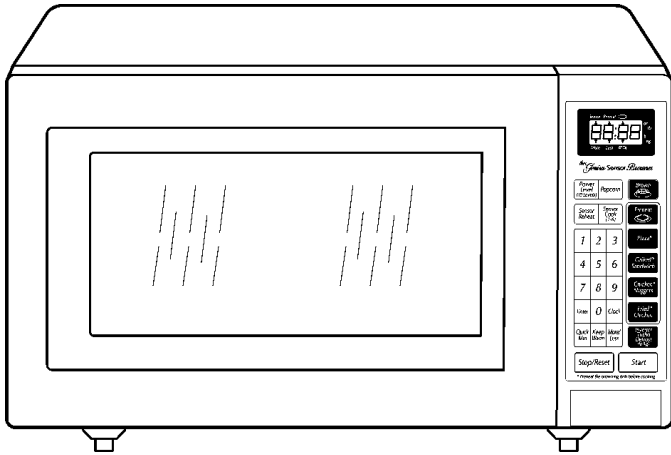


Service Manual

Microwave Oven



NN-S453WF NN-S553WF NN-K593MF NN-K573MF NN-K543WF

QPQ(Australia, New Zealand)

HNE(Hong Kong)

YNQ(Singapore)

MNQ(Malaysia)

TNE(Thailand, Indonesia)

LNK(Philippines)

YKE(Others)

KKE(UAE, Egypt, Iran)

KNQ(Kuwait, Doha, Qatar, Oman, Bahrain, Pakistan)

SNM(Saudi Arabia)

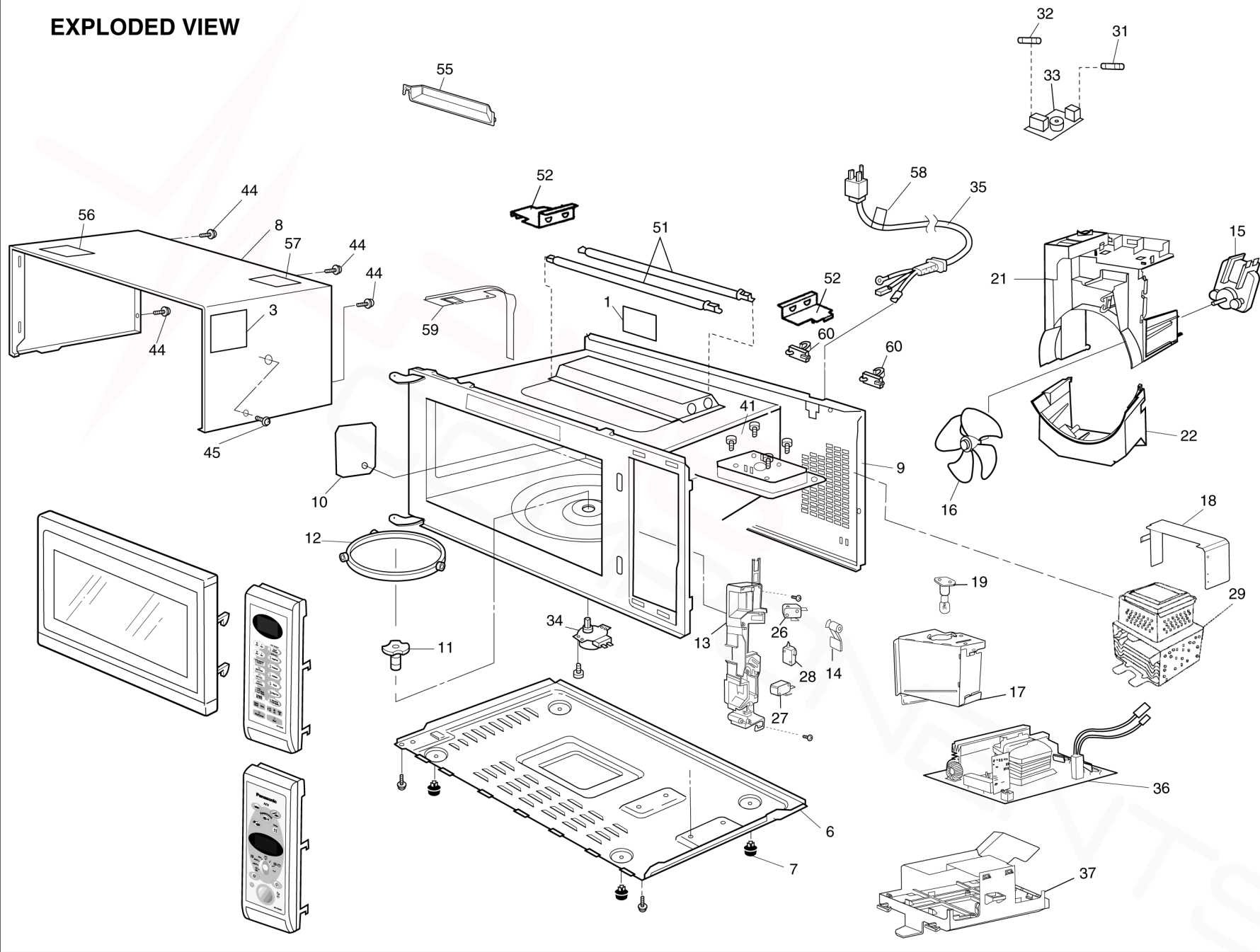
ZPE(CIS Countries)

Specification

Model		S453WF	S553WF	K593MF	K573MF	K543WF
Power Source:		240V AC Single Phase, 50Hz _ _ _ _ _ For KNQ, MNQ, YNQ Models 230V~240V AC Single Phase, 50Hz _ _ For QPQ Models 220V AC Single Phase, 50Hz _ _ _ _ _ For KKE, ZPE, HNE, TNE YKE Models 220V AC Single Phase, 50Hz/60Hz _ _ _ For SNM Models 220V~230V AC Single Phase, 60Hz _ _ _ For LNK Models				
Power Requirement:	Microwave	1000W	1000W	1000W	1000W	1000W
	Heater	1350W	1350W	1350W	1350W	1350W
Output:	Microwave(IEC705)	1100W	1100W	1100W	1100W	1100W
	Heater	1300W	1300W	1300W	1300W	1300W
Microwave Frequency:		2450MHz				
Timer:		99min.90sec				
Outside Dimensions:		510mm(D) x 380mm(W) x 304mm(H)				
Oven Cavity Dimensions:		359mm(D) x 352mm(W) x 217mm(H)				
Weight:		11.5kg-12.5kg				
PbF		This product with PbF				
Output power: IEC705-88 Test Procedure						
Specifications subject to change without notice.						

10 EXPLODED VIEW AND PARTS LIST

EXPLODED VIEW



11 PARTS LIST

NOTE:

1. When ordering replacement part(s), please use part number(s) shown in this part list.
Do not use description of the part.
2. Important safety notice:
Components identified by \triangle mark have special characteristics important for safety.
When replacing any of these components, use only manufacture's specified parts.

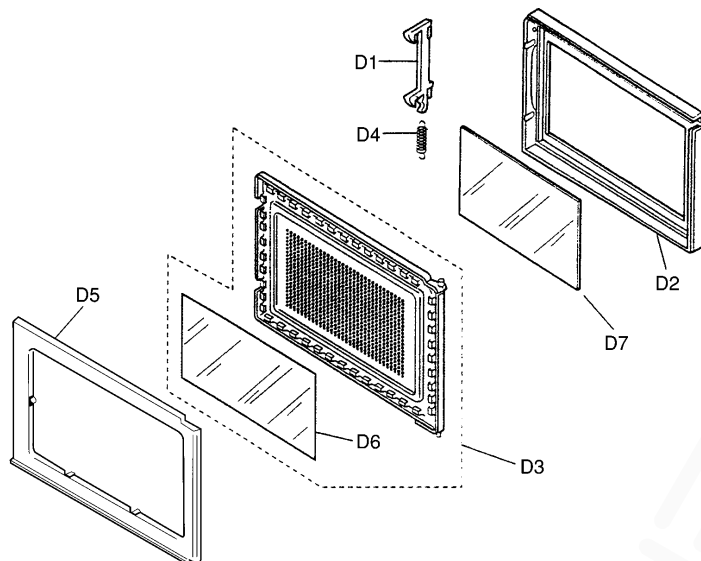
NOTE:

Please order all parts from MELUK in U.K.

Ref. No.		Part No.	Part Name & Description	Pcs/Set	Remarks
1		F00064080BP	CAUTION LABEL	1	BPQ
1		F00069000EP	CAUTION LABEL	1	GPG, EPG
3		F04905R80HEP	ENERGY LABEL	1	F663WF EPG
3		F04905R80SEP	ENERGY LABEL	1	F623MF EPG
3		F04905R70HEP	ENERGY LABEL	1	F653WF EPG
3		F04906A00HEP	ENERGY LABEL	1	Q553WF EPG
3		F04905Q90SEP	ENERGY LABEL	1	Q523MF EPG
3		F04905Q50HEP	ENERGY LABEL	1	Q543WF EPG
6		F10015Q00AP	BASE	1	
7		F10084T00AP	RUBBER FOOT	4	
8		F110D5R00HAP	CABINET BODY	1	V***WF, F***WF
8		F110D5R00SAP	CABINET BODY	1	V***MF, F***MF
8		F110D5R00CBP	CABINET BODY	1	V***CF
8		F110D5Q00SAP	CABINET BODY	1	T***MF, Q***MF
8		F110D5Q00HAP	CABINET BODY	1	T***WF, Q***WF
9	\triangle	F200A5R60BP	OVEN	1	V653 BPQ/GPG, V623 BPQ/GPG, F663 EPG, F653 EPG, F623 EPG
9	\triangle	F200A5R20BP	OVEN	1	V453WF, V423MF
9	\triangle	F200A5Q70BP	OVEN	1	T553WF BPQ, T523MF BPQ, Q553WF EPG, Q523MF EPG
9	\triangle	F200A5Q30BP	OVEN	1	T543WF BPQ, Q543WF EPG
10		F20555Q00BP	COVER	1	
11		F21314Y00XN	PULLY SHAFT	1	
12		F290D5Q00AP	ROLLER RING (U)	1	
13	\triangle	F30205Q00AP	DOOR HOOK	1	
14		F31365Q00AP	HOOK LEVER A	1	
15		F400A5U00XN	FAN MOTOR	1	
16		F40085G10XN	FAN BLADE	1	
17		F40255Q00AP	AIR GUIDE A	1	
18		F40425Q00AP	AIR GUIDE F	1	
19		F612E5G10XN	INCANDESCENT LAMP (U)	1	(20W/240V)
21		F41445Q00AP	UPPER ORIFICE	1	
22		F42095Q00AP	LOWER ORIFICE	1	
26	\triangle	J61415G10XN	MICRO SWITCH	1	V-15G-3C25 (PRIMARY LATCH SWITCH)
27	\triangle	F61415U30XN	MICRO SWITCH	1	KW3-0D-A(474) (SECONDARY LATCH SWITCH)
28	\triangle	F61785U30XN	MICRO SWITCH	1	KW3-0T-A(375) (SHORT SWITCH)
29	\triangle	2M236-M42G	MAGNETRON	1	
31	\triangle	A62304210BP	FUSE	1	(10A)
32	\triangle	B62304000AP	FUSE	1	V*** BPQ, V*** GPG, F***EPG (15A)
33		J607X4L00BP	NOISE FILTER (U)	1	T*** BPQ, Q*** EPG
33		J607X5R60BP	NOISE FILTER (U)	1	V*** BPQ, V*** GPG, F*** EPG
34		F63265U30XN	TURNTABLE MOTOR	1	
35	\triangle	F900C5G50BP	AC CORD W/PLUG	1	T*** BPQ
35	\triangle	F900C5G10TN	AC CORD W/PLUG	1	Q*** EPG
35	\triangle	F900C5R00BP	AC CORD W/PLUG	1	V*** BPQ
35	\triangle	F900C5R00EP	AC CORD W/PLUG	1	V*** GPG, F*** EPG
36		F606Y4V00BP	H.V.INVERTER (U)	1	
37		F65855R00BP	INVERTER BRACKET	1	
41		XTWFA4+12T	SCREW	4	FOR MAGNETRON
44		XTWFA4+12D	SCREW	4	FOR CABINET BODY
45		XTCAFA4+12AFS	SCREW	1	V***MF, F***MF, T***MF, Q***MF (FOR CABINET BODY SIDE)

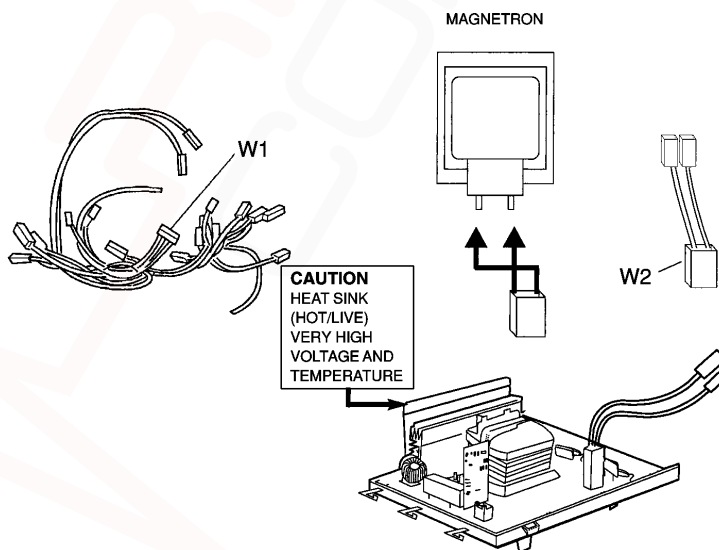
Ref. No.	Part No.	Part Name & Description	Pcs/Set	Remarks
45	XTCAFA4+12AFW	SCREW	1	V***WF, F***WF, T***WF, Q***WF (FOR CABINET BODY SIDE)
45	XTCAFA4+12AFC	SCREW	1	V***CF (FOR CABINET BODY SIDE)
51	F630G5R20BP	HEATER (AU)	2	V653WF/CF BPQ, V623MF BPQ (650W, 120V)
51	F630G5R20GP	HEATER (AU)	2	V653WF/CF GPG, V623MF GPG, F*** EPG (650W, 120V)
51	F630G5R00BP	HEATER (AU)	2	V453WF BPQ (550W, 120V)
51	F630G5U00XN	HEATER (AU)	2	V453WF GPG, V423MF GPG (550W, 120V)
52	F64605R00BP	HEATER MOUNTING PLATE	2	V*** BPQ, V*** GPG, F*** EPG
55	F40245R00BP	EXHAUST GUIDE A	1	V*** BPQ, V*** GPG, F*** EPG
56	F01505R00BP	NO TOUCHING LABEL	1	V***MF/WF BPQ
56	F01505R20BP	NO TOUCHING LABEL	1	V***CF BPQ
57	F01505R00GP	NO TOUCHING LABEL	1	V***WF/MF GPG
57	F01505R20GP	NO TOUCHING LABEL	1	V***CF GPG
57	F01505R00EP	NO TOUCHING LABEL	1	F***WF/MF EPG
58	F02395G50BP	AC CORD CAUTION LABEL	1	BPQ
59	F62865Q00BP	HEAT SHIELD	1	
60	F11404J60XN	STOPPER	2	

12 DOOR ASSEMBLY



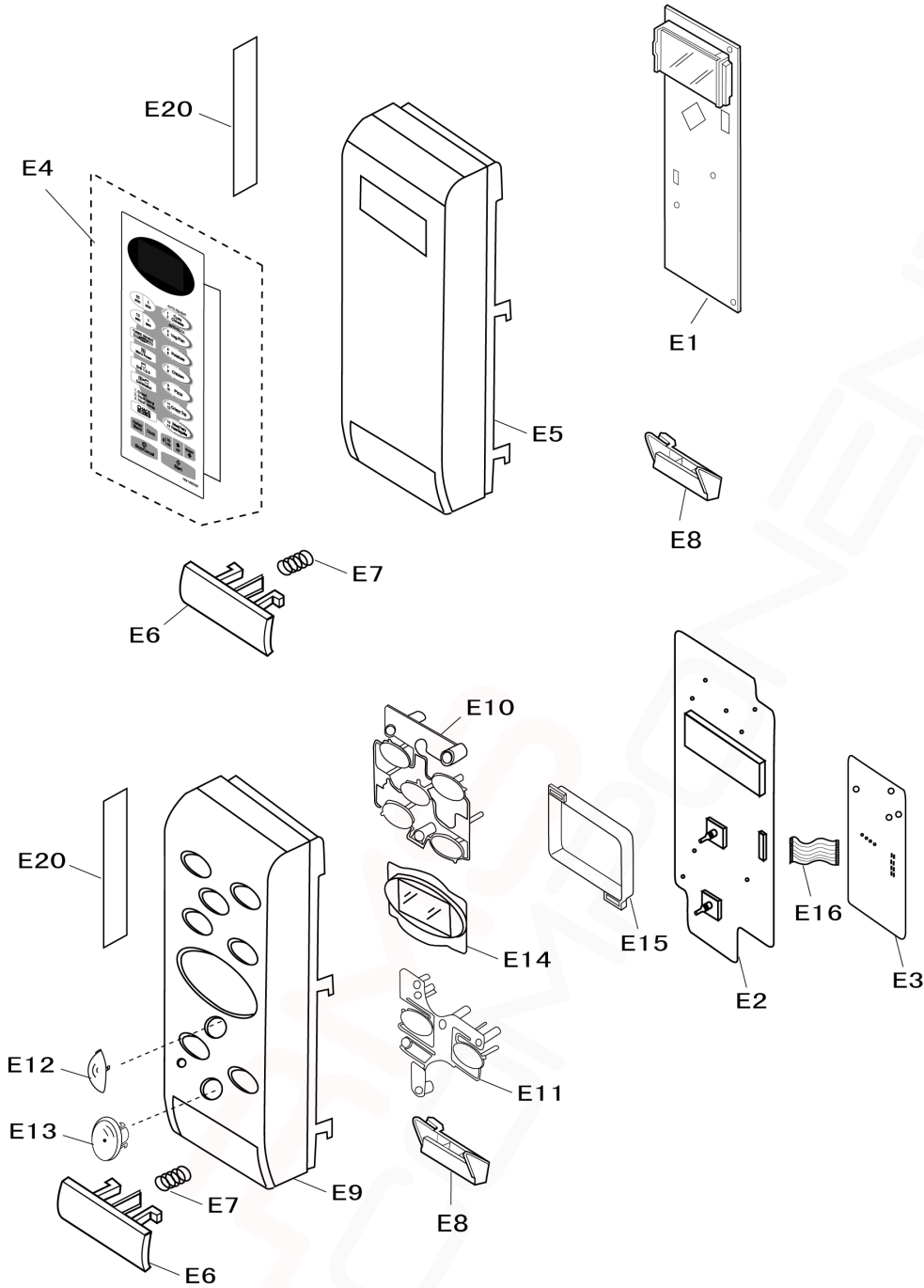
Ref. No.	Part No.	Part Name & Description	Pcs/Set	Remarks
D1	F30185Q00AP	DOOR KEY A	1	
D2	△ F30015Q00HBP	DOOR A	1	T***WF, Q***WF, V***WF, F***WF
D2	△ F30015Q00SBP	DOOR A	1	T***MF, Q***MF, V***MF, F***MF
D2	△ F30015Q00CBP	DOOR A	1	V***CF
D3	△ F301P5R00AP	DOOR E (U)	1	V*** BPQ, V*** GPG, F*** EPG
D3	△ F302K5Q00AP	DOOR E (U)	1	T*** BPQ, Q*** EPG
D4	F30215G10XN	DOOR KEY SPRING	1	
D5	△ F30855Q00AP	DOOR C	1	
D6	F31454T00AP	DOOR SCREEN A	1	T*** BPQ, Q*** EPG
D7	F31465R00BP	DOOR SCREEN B	1	V*** BPQ
D7	F31465R00EP	DOOR SCREEN B	1	V*** GPG, F*** EPG
D7	F31465Q00BP	DOOR SCREEN B	1	T*** BPQ
D7	F31465Q00EP	DOOR SCREEN B	1	Q*** EPG

13 WIRING MATERIALS



Ref. No.	Part No.	Part Name & Description	Pcs/Set	Remarks
W1	F030A5R00BP	LEAD WIRE HARNESS	1	V*** BPQ, V*** GPG, F*** EPG
W1	F030A5Q00BP	LEAD WIRE HARNESS	1	T*** BPQ, Q*** EPG
W2	F030E5Q00AP	H.V.LEAD WIRE	1	

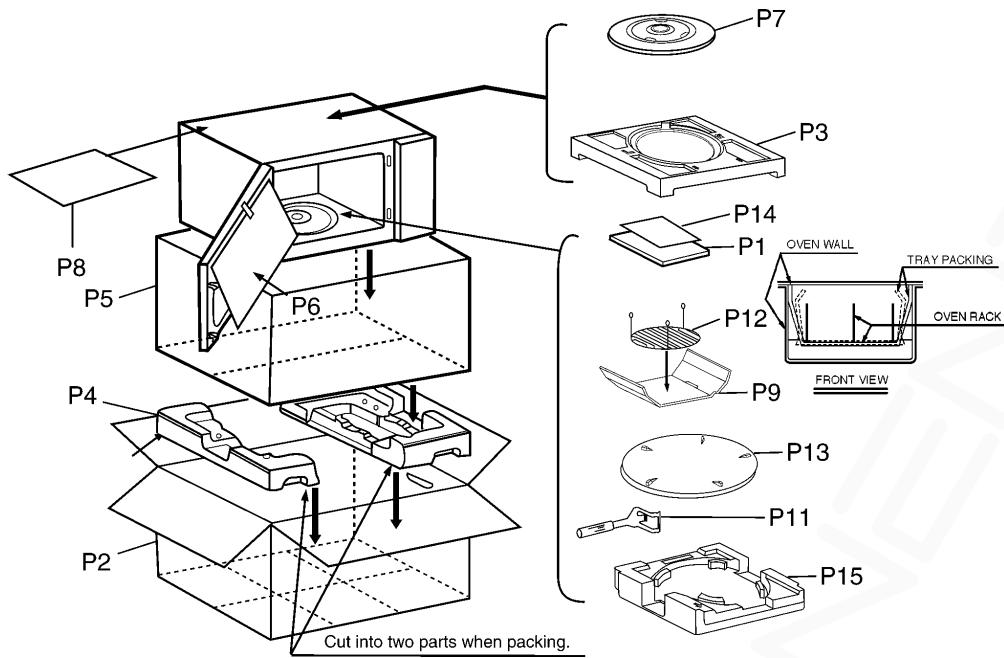
14 ESCUTCHEON BASE ASSEMBLY



Ref. No.	Part No.	Part Name & Description	Pcs/Set	Remarks
E1	F603L5R60BP	D.P.CIRCUIT (AU)	1	V653WF/CF BPQ, V623MF BPQ
E1	F603L5R60GP	D.P.CIRCUIT (AU)	1	V653WF/CF GPG, V623MF GPG
E1	F603L5R20BP	D.P.CIRCUIT (AU)	1	V453WF BPQ
E1	F603L5R20GP	D.P.CIRCUIT (AU)	1	V453WF GPG, V423MF GPG
E1	F603L5Q70BP	D.P.CIRCUIT (AU)	1	T553WF BPQ, T523MF BPQ
E1	F603L5Q30BP	D.P.CIRCUIT (AU)	1	T543WF BPQ
E2	F608E5R80EP	D.P.CIRCUIT (ABU)	1	F663WF EPG, F623MF EPG
E2	F608E5R70EP	D.P.CIRCUIT (ABU)	1	F653WF EPG
E2	F608E5Q90EP	D.P.CIRCUIT (ABU)	1	Q553WF EPG, Q523MF EPG
E2	F608E5Q50EP	D.P.CIRCUIT (ABU)	1	Q543WF EPG
E3	F603Y5R80EP	D.P.CIRCUIT (DU)	1	F663WF EPG, F653WF EPG, F623MF EPG
E3	F603Y5Q90EP	D.P.CIRCUIT (DU)	1	Q553WF EPG, Q523MF EPG, Q543WF EPG
E4	F630Y5R60HBP	MEMBRANE SWITCH (U)	1	V653WF BPQ
E4	F630Y5R60CBP	MEMBRANE SWITCH (U)	1	V653CF BPQ
E4	F630Y5R60SBP	MEMBRANE SWITCH (U)	1	V623MF BPQ
E4	F630Y5R60HGP	MEMBRANE SWITCH (U)	1	V653WF GPG

Ref. No.	Part No.	Part Name & Description	Pcs/Set	Remarks
E4	F630Y5R60CGP	MEMBRANE SWITCH (U)	1	V653CF GPG
E4	F630Y5R60SGP	MEMBRANE SWITCH (U)	1	V623MF GPG
E4	F630Y5R20HBP	MEMBRANE SWITCH (U)	1	V453WF BPQ
E4	F630Y5R20HGP	MEMBRANE SWITCH (U)	1	V453WF GPG
E4	F630Y5R20SGP	MEMBRANE SWITCH (U)	1	V423MF GPG
E4	F630Y5Q80HBP	MEMBRANE SWITCH (U)	1	T553WF BPQ
E4	F630Y5Q70SBP	MEMBRANE SWITCH (U)	1	T523MF BPQ
E4	F630Y5Q30HBP	MEMBRANE SWITCH (U)	1	T543WF BPQ
E5	F80345Q00HBP	ESCUTCHEON BASE	1	V653WF BPQ, V653WF GPG, V453WF BPQ, V453WF GPG, T553WF BPQ, T543WF BPQ
E5	F80345Q00SBP	ESCUTCHEON BASE	1	V623MF BPQ, V623MF GPG, V423MF GPG, T523MF BPQ
E5	F80345Q00CBP	ESCUTCHEON BASE	1	V653CF BPQ, V653CF GPG
E6	F80725Q00HAP	DOOR OPENING BUTTON	1	V***WF, F***WF, T***WF, Q***WF
E6	F80725Q00SAP	DOOR OPENING BUTTON	1	V***MF, F***MF, T***MF, Q***MF
E6	F80725Q00CBP	DOOR OPENING BUTTON	1	V***CF
E7	F80375K00AP	COOK BUTTON SPRING	1	
E8	F82565Q00AP	DOOR OPENING LEVEL	1	
E9	F80345R80HEP	ESCUTCHEON BASE	1	F663WF EPG
E9	F80345R70HEP	ESCUTCHEON BASE	1	F653WF EPG
E9	F80345R80SEP	ESCUTCHEON BASE	1	F623MF EPG
E9	F80346A00HEP	ESCUTCHEON BASE	1	Q553WF EPG
E9	F80345Q90SEP	ESCUTCHEON BASE	1	Q523MF EPG
E9	F80345Q50HEP	ESCUTCHEON BASE	1	Q543WF EPG
E10	F80245R80HEP	BUTTON A	1	F663WF EPG, F653WF EPG
E10	F80245R80SEP	BUTTON A	1	F623MF EPG
E10	F80245Q50HEP	BUTTON A	1	Q553WF EPG, Q543WF EPG
E10	F80245Q50BEP	BUTTON A	1	Q523MF EPG
E11	F83875Q50HEP	BUTTON B	1	F663WF EPG, F653WF EPG, Q553WF EPG, Q543WF EPG
E11	F83875Q50BEP	BUTTON B	1	F623MF EPG, Q523MF EPG
E12	F80205Q50HEP	KNOB A	1	F663WF EPG, F653WF EPG, Q553WF EPG, Q543WF EPG
E12	F80205Q50SEP	KNOB A	1	F623MF EPG, Q523MF EPG
E13	F83925Q50HEP	KNOB B	1	F663WF EPG, F653WF EPG, Q553WF EPG, Q543WF EPG
E13	F83925R80SEP	KNOB B	1	F623MF EPG, Q523MF EPG
E14	F81895Q50HEP	DISPLAY WINDOW	1	F663WF EPG, F653WF EPG, F623MF EPG, Q553WF EPG, Q543WF EPG, Q523MF EPG
E15	F80165Q50EP	DISPLAY FRAME	1	F663WF EPG, F653WF EPG, F623MF EPG, Q553WF EPG, Q543WF EPG, Q523MF EPG
E16	F66165Q00EP	FLAT CABLE	1	F663WF EPG, F653WF EPG, F623MF EPG, Q553WF EPG, Q543WF EPG, Q523MF EPG
E20	F00075R70HBP	NAME PLATE	1	V653WF BPQ
E20	F00075R70CBP	NAME PLATE	1	V653CF BPQ
E20	F00075R60SBP	NAME PLATE	1	V623MF BPQ
E20	F00075R60HGP	NAME PLATE	1	V653WF GPG
E20	F00075R60CGP	NAME PLATE	1	V653CF GPG
E20	F00075R60SGP	NAME PLATE	1	V623MF GPG
E20	F00075R80HEP	NAME PLATE	1	F663WF EPG
E20	F00075R70HEP	NAME PLATE	1	F653WF EPG
E20	F00075R80SEP	NAME PLATE	1	F623MF EPG
E20	F00075R20HBP	NAME PLATE	1	V453WF BPQ
E20	F00075R20HGP	NAME PLATE	1	V453WF GPG
E20	F00075R20SGP	NAME PLATE	1	V423MF GPG
E20	F00075Q80HBP	NAME PLATE	1	T553WF BPQ
E20	F00075Q70SBP	NAME PLATE	1	T523MF BPQ
E20	F00076A00HEP	NAME PLATE	1	Q553WF EPG
E20	F00075Q90SEP	NAME PLATE	1	Q523MF EPG
E20	F00075Q30HBP	NAME PLATE	1	T543WF BPQ
E20	F00075Q50HEP	NAME PLATE	1	Q543WF EPG

15 PACKING AND ACCESORIES



Ref. No.	Part No.	Part Name & Description	Pcs/Set	Remarks
P1	F00035R20BP	INSTRUCTION MANUAL	1	V*** BPQ
P1	F00035R20GP	INSTRUCTION MANUAL	1	V*** GPG
P1	F00035Q50EP	INSTRUCTION MANUAL	1	F*** EPG, Q*** EPG
P1	F00035Q30BP	INSTRUCTION MANUAL	1	T*** BPQ
P2	F01025R70HBP	PACKING CASE, PAPER	1	V653WF BPQ
P2	F01025R70CBP	PACKING CASE, PAPER	1	V653CF BPQ
P2	F01025R60SBP	PACKING CASE, PAPER	1	V623MF BPQ
P2	F01025R60HGP	PACKING CASE, PAPER	1	V653WF GPG
P2	F01025R60CGP	PACKING CASE, PAPER	1	V653CF GPG
P2	F01025R60SGP	PACKING CASE, PAPER	1	V623MF GPG
P2	F01025R80HEP	PACKING CASE, PAPER	1	F663WF EPG
P2	F01025R70HEP	PACKING CASE, PAPER	1	F653WF EPG
P2	F01025R80SEP	PACKING CASE, PAPER	1	F623MF EPG
P2	F01025R20HBP	PACKING CASE, PAPER	1	V453WF BPQ
P2	F01025R20HGP	PACKING CASE, PAPER	1	V453WF GPG
P2	F01025R20SGP	PACKING CASE, PAPER	1	V423MF GPG
P2	F01025Q80HBP	PACKING CASE, PAPER	1	T553WF BPQ
P2	F01025Q70SBP	PACKING CASE, PAPER	1	T523MF BPQ
P2	F01026A00HEP	PACKING CASE, PAPER	1	Q553WF EPG
P2	F01025Q90SEP	PACKING CASE, PAPER	1	Q523MF EPG
P2	F01025Q30HBP	PACKING CASE, PAPER	1	T543WF BPQ
P2	F01025Q50HEP	PACKING CASE, PAPER	1	Q543WF EPG
P3	F01045Q00AP	UPPER FILLER	1	
P4	F01055Q00AP	LOWER FILLER	1	
P5	F01068100XN	P. E. BAG	1	
P6	F01078100XN	DOOR SHEET	1	
P7	F06015Q00AP	COOKING TRAY	1	
P8	F01924T00AP	SHEET	1	V***MF, V***CF, F***MF, T***MF, Q***MF
P9	F01085R00AP	RACK PACKING	1	V*** BPQ, V*** GPG, F653WF EPG
P9	F01085R00BP	RACK PACKING	1	F663WF EPG, F623MF EPG
P11	F10855R00BP	PIZZA PAN HANDLE	1	F663WF EPG, F623MF EPG
P12	F060V5R00BP	OVEN RACK	1	V*** BPQ
P12	F060V5U00XN	OVEN RACK	1	V*** GPG, F*** EPG
P13	F46065R00BP	PIZZA PAN	1	F663WF EPG, F623MF EPG
P14	F01695M70BP	SERVICE CENTER LIST	1	
P15	F01135R00AP	PIZZA PAN FOAM	1	F663WF EPG, F623MF EPG