

Service Manual

Microwave Oven

Simplified



NN-MX21WF NN-MX26WF

QPQ(Australia, New Zealand)

HNE(Hong Kong)

YNQ(Singapore)

MNQ(Malaysia)

TNE(Thailand, Indonesia)

LNK(Philippines)

YKE(Others)

KKE(UAE, Egypt, Iran)

KNQ(Kuwait, Doha, Qatar, Oman, Bahrain, Pakistan)

SNM(Saudi Arabia)

ZPE(CIS Countries)

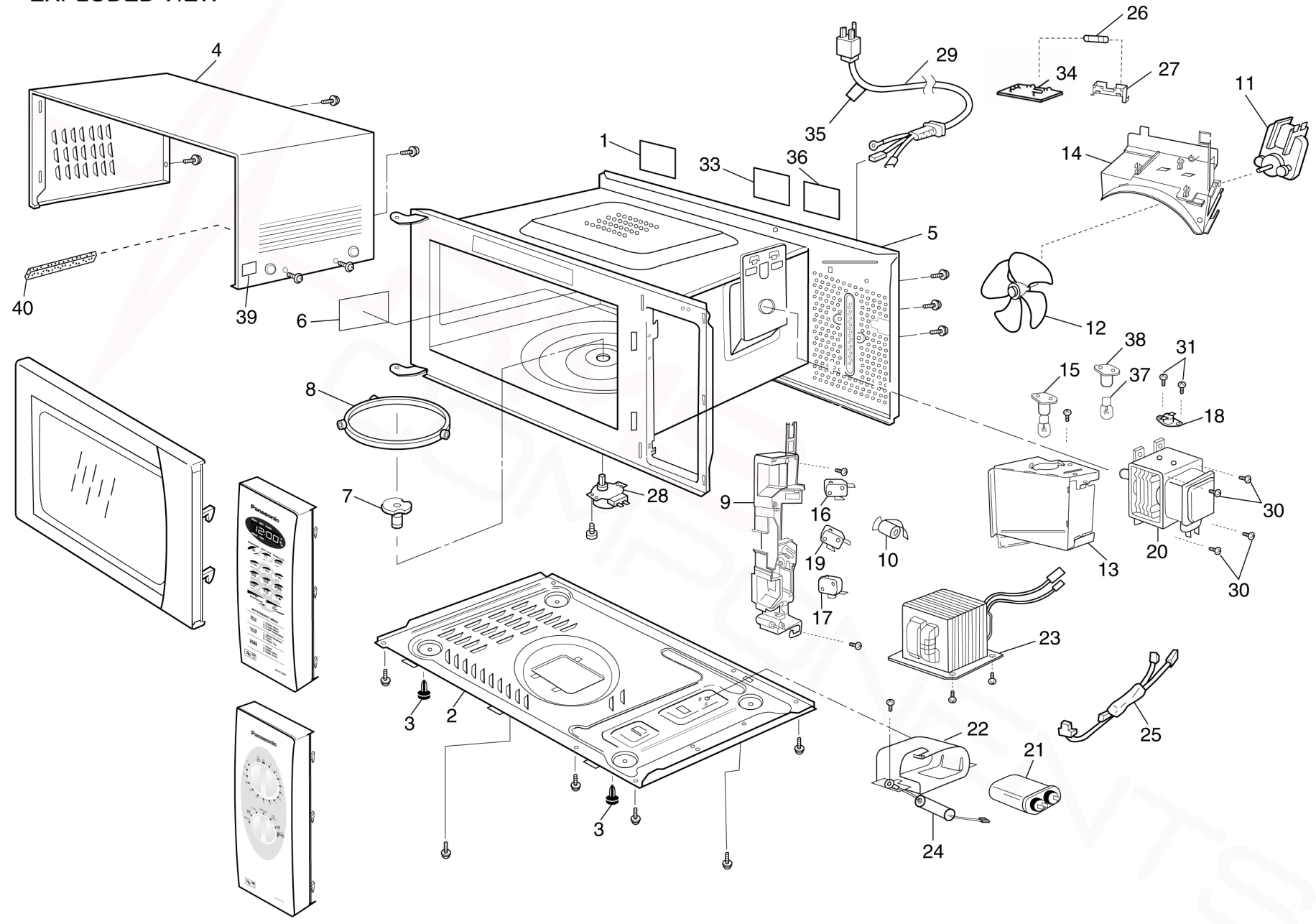
Please file and use this manual together with the service manual for Model NN-MX20/25WF (ORDER NO. SIMMC0203003C3 or SIMMC0203004C3)

Specification

Model	NN-MX21WF	NN-MX26WF
Power Source:	240V AC Single Phase, 50Hz _ _ _ _ _ For KNQ, MNQ, YNQ Models 230V~240V AC Single Phase, 50Hz _ _ For QPQ Models 220V AC Single Phase, 50Hz _ _ _ _ _ For KKE, ZPE, HNE, TNE YKE Models 220V AC Single Phase, 50Hz/60Hz _ _ . For SNM Models 220V~230V AC Single Phase,60Hz _ _ For LNK Models	
Power Requirement:	1250W	1250W
Output(IEC705-88):	800W	800W
Microwave Frequency:	2450MHz	
Timer:	30min	29min.90sec (HIGH POWER)/99min.90sec
Outside Dimensions:	354mm(W) x 482mm(D) x 282mm(H)	
Oven Cavity Dimensions:	330mm(W) x 325mm(D) x 218mm(H)	
Weight:	14kg	
PbF	This product with PbF	
Output power:IEC705-88 Test Procedure		
Specifications subject to change without notice.		

7 EXPLODED VIEW AND PARTS LIST

EXPLODED VIEW



8 PARTS LIST

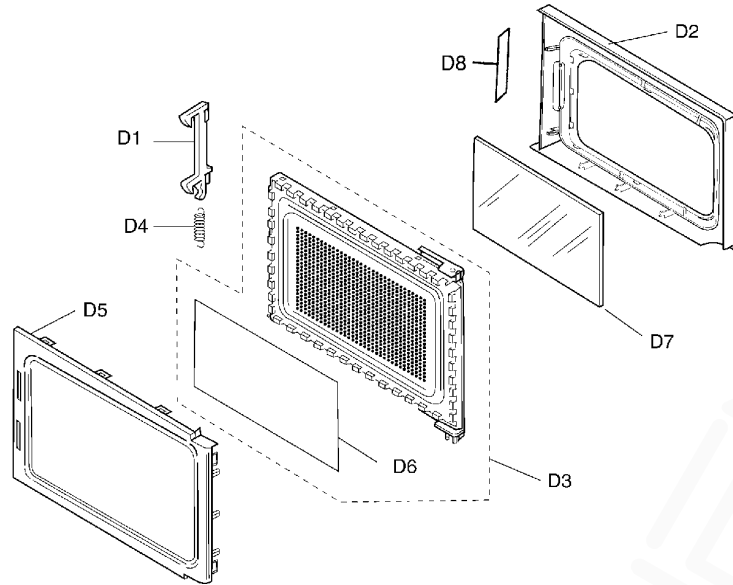
NOTE:

1. When ordering replacement part(s), please use part number(s) shown in this part list.
Do not use description of the part.
2. Important safety notice:
Components identified by mark have special characteristics important for safety.
When replacing any of these components, use only manufacture's specified parts.

Ref. No.	Part No.	Part Name & Description	Pcs/Set	Remarks
1	F01575U40HQP	NAME PLATE	1	MX26WF QPQ
1	F01575U40HHN	NAME PLATE	1	MX26WF HNE
1	F01575U40HTN	NAME PLATE	1	MX26WF TNE
1	F01575U40HYK	NAME PLATE	1	MX26WF YKE
1	F01575U40HMN	NAME PLATE	1	MX26WF MNQ
1	F01575U40HYN	NAME PLATE	1	MX26WF YNQ
1	F01575U40HLN	NAME PLATE	1	MX26WF LNK
1	F01575U40HKK	NAME PLATE	1	MX26WF KKE
1	F01575U40HKN	NAME PLATE	1	MX26WF KNQ
1	F01575U40HSN	NAME PLATE	1	MX26WF SNM
1	F01575U40HZP	NAME PLATE	1	MX26WF ZPE
1	F01575U30HQP	NAME PLATE	1	MX21WF QPQ
1	F01575U30HHN	NAME PLATE	1	MX21WF HNE
1	F01575U30HTN	NAME PLATE	1	MX21WF TNE
1	F01575U30HYK	NAME PLATE	1	MX21WF YKE
1	F01575U30HMN	NAME PLATE	1	MX21WF MNQ
1	F01575U30HYN	NAME PLATE	1	MX21WF YNQ
1	F01575U30HLN	NAME PLATE	1	MX21WF LNK
1	F01575U30HKK	NAME PLATE	1	MX21WF KKE
1	F01575U30HKN	NAME PLATE	1	MX21WF KNQ
1	F01575U30HZP	NAME PLATE	1	MX21WF ZPE
2	F10015G10XN	BASE	1	
3	F10084T00AP	RUBBER FOOT	2	
4	F110D5U30HXN	CABINET BODY	1	
5	△ F200A5G10XN	OVEN	1	
6	F20555G10XN	COVER	1	
7	F21315G10XN	PULLY SHAFT	1	
8	F290D5G10XN	ROLLER RING (U)	1	
9	△ F30205G10XN	DOOR HOOK	1	
10	F31365G10XN	HOOK LEVER A	1	
11	F400A5U00XN	FAN MOTOR	1	EXCEPT LNK
11	F400A4000LN	FAN MOTOR	1	LNK
12	F40085G10XN	FAN BLADE	1	
13	F40255G10XN	AIR GUIDE A	1	
14	F41445G40XN	ORIFICE	1	EXCEPT SNM
14	F41445G40AP	ORIFICE	1	SNM
15	F612E5G10XN	INCANDESCENT LAMP (U)	1	EXCEPT HNE
16	△ J61415G10XN	MICRO SWITCH	1	(PRIMARY LATCH SWITCH)
17	△ J61415G10XN	MICRO SWITCH	1	MX21WF (SECONDARY LATCH SWITCH)
17	△ F61415U30XN	MICRO SWITCH	1	MX26WF (SECONDARY LATCH SWITCH)
18	△ F61455G10XN	THERMAL CUTOUT	1	60°C ON, 180°C OFF
19	△ F61785U30XN	MICRO SWITCH	1	(SHORT SWITCH)
20	△ 2M210-M1F1CR	MAGNETRON	1	EXCEPT QPQ, SNM & ZPE
20	△ 2M210-M1G	MAGNETRON	1	QPQ & ZPE
20	△ 2M261-M22F	MAGNETRON	1	SNM
21	△ F60905G10XN	H.V.CAPACITOR	1	EXCEPT LNK & SNM (1.0μF, 2100V)
21	△ F60905G10AP	H.V.CAPACITOR	1	LNK (1.0μF, 2100V)
21	△ F60905G40SN	H.V.CAPACITOR	1	SNM (1.0μF, 2100V)
22	F60375G10XN	CAPACITOR BRACKET	1	
23	△ F621B5G10XN	H.V.TRANSFORMER	1	HNE, TNE, YKE, KKE, ZPE
23	△ F621B5G10MN	H.V.TRANSFORMER	1	QPQ, MNQ, YNQ, KNQ
23	△ F621B5G10LN	H.V.TRANSFORMER	1	LNK
23	△ F621B5G40SN	H.V.TRANSFORMER	1	SNM
24	△ F62025G10XN	DIODE	1	
25	△ F606V5G10XN	PROTECTOR DIODE (U)	1	EXCEPT SNM
25	△ F606V5G40SN	PROTECTOR DIODE (U)	1	SNM
26	△ F62305G10XN	FUSE	1	8A, 250V (EXCEPT QPQ & SNM)

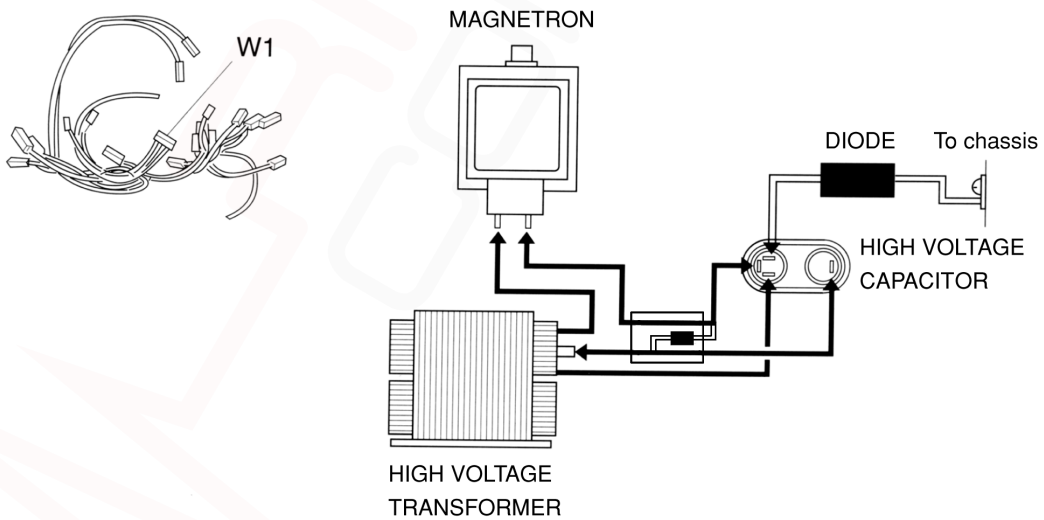
Ref. No.		Part No.	Part Name & Description	Pcs/Set	Remarks
26	△	ANE6230Z70BP	FUSE	1	8A, 250V (QPQ)
26	△	A62304210BP	FUSE	1	8A, 250V (SNM)
27		F62315G10XN	FUSE HOLDER	1	EXCEPT QPQ & ZPE
28		F63265U30XN	TURNTABLE MOTOR	1	
29	△	F900C5G10QP	AC CORD W/PLUG	1	QPQ
29	△	F900C5G10YK	AC CORD W/PLUG	1	HNE, YKE, MNQ, KKE, KNQ
29	△	F900C5G10YN	AC CORD W/PLUG	1	YNQ
29	△	F900C5G10TN	AC CORD W/PLUG	1	TNE
29	△	F900C5G10LN	AC CORD W/PLUG	1	LNK
29	△	F900C5G40SN	AC CORD W/PLUG	1	SNM
29	△	F900C5G40ZP	AC CORD W/PLUG	1	ZPE
30		XTWFA4+12T	SCREW	4	FOR MAGNETRON
31		XTEFA3+6B	SCREW	2	FOR THERMAL CUTOUT
33		F00068100HN	CAUTION LABEL	1	EXCEPT ZPE
33		F00065E90ZP	CAUTION LABEL	1	ZPE
34		F692Y5G10QP	NOISE FILTER (U)	1	QPQ, ZPE
35		F02395E20KN	CORD CAUTION LABEL	1	KKE, KNQ, SNM
36		F00065540MN	CAUTION LABEL	1	YNQ
37		F60305G60HN	INCANDESCENT LAMP	1	HNE
38		F61525H00AP	SOCKET	1	HNE
39		F02845U40YN	NO. LABEL	1	MX26WF YNQ
39		F02845U30YN	NO. LABEL	1	MX21WF YNQ
40		F0922000EF	CUSHION RUBBER	1	

9 DOOR ASSEMBLY



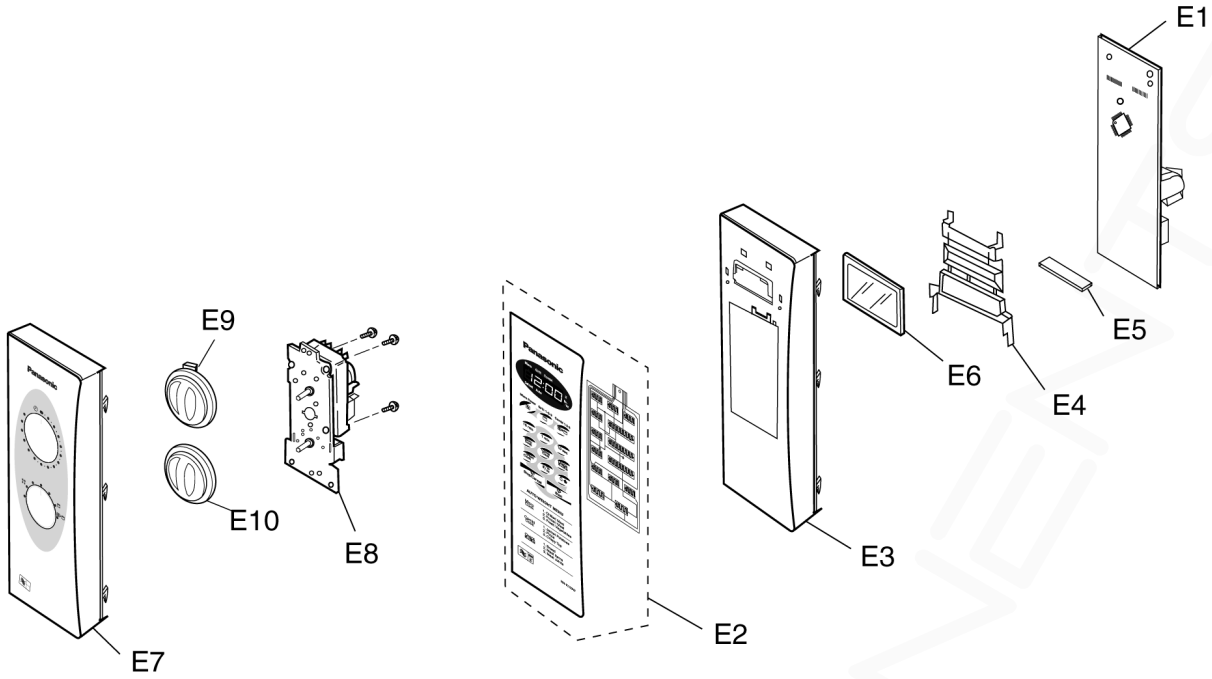
Ref. No.		Part No.	Part Name & Description	Pcs/Set	Remarks
D1		F30185G10XN	DOOR KEY A	1	
D2	⚠	F30015U40HXN	DOOR A	1	MX26WF
D2	⚠	F30015U30HXN	DOOR A	1	MX21WF
D3	⚠	F302K5G10XN	DOOR E (U)	1	
D4		F30215G10XN	DOOR KEY SPRING	1	
D5	⚠	F30855G10XN	DOOR C	1	
D6	⚠	F31455G10XN	DOOR SCREEN A	1	
D7		F31465U30XN	DOOR SCREEN B	1	
D8		F01729660JP	CAUTION LABEL B	1	QPQ
D8		F02459660AP	DHHS LABEL	1	LNK

10 WIRING MATERIALS



Ref. No.		Part No.	Part Name & Description	Pcs/Set	Remarks
W1		F030A5G40QP	LEAD WIRE HARNESS	1	MX26WF (QPQ, ZPE)
W1		F030A5G40HN	LEAD WIRE HARNESS	1	MX26WF (EXCEPT QPQ & ZPE)
W1		F030A-5G10	LEAD WIRE HARNESS	1	MX21WF (QPQ, ZPE)
W1		F030A5G10XN	LEAD WIRE HARNESS	1	MX21WF (EXCEPT QPQ & ZPE)

11 ESCUTCHEON BASE ASSEMBLY



Ref. No.	Part No.	Part Name & Description	Pcs/Set	Remarks
E1	F603L5G40QP	D.P. CIRCUIT	1	MX26WF (QPQ)
E1	F603L5G40HN	D.P. CIRCUIT	1	MX26WF (HNE, TNE, YKE, MNQ, YNQ)
E1	F603L5G40LN	D.P. CIRCUIT	1	MX26WF (LNK)
E1	F603L5G40KK	D.P. CIRCUIT	1	MX26WF (KKE, KNQ)
E1	F603L5G40SN	D.P. CIRCUIT	1	MX26WF (SNM)
E1	F603L5G40ZP	D.P. CIRCUIT	1	MX26WF (ZPE)
E2	F630Y5U40HQP	MEMBRANE SWITCH (U)	1	MX26WF (QPQ)
E2	F630Y5U40HHN	MEMBRANE SWITCH (U)	1	MX26WF (HNE, TNE, YKE, MNQ, YNQ, LNK)
E2	F630Y5U40HKK	MEMBRANE SWITCH (U)	1	MX26WF (KKE, KNQ, SNM)
E2	F630Y5U40HZP	MEMBRANE SWITCH (U)	1	MX26WF (ZPE)
E3	F80345U40HXN	ESCUTCHEON BASE	1	MX26WF
E4	F66174T00AP	DISPLAY TUBE COVER	1	MX26WF
E5	A67004T00AP	RUBBER CONNECTOR	1	MX26WF
E6	AEDDHJ5G40XN	DISPLAY	1	MX26WF (EXCEPT QPQ)
E6	AEDDHJ5G60XN	DISPLAY	1	MX26WF (QPQ)
E7	F80345U30HQP	ESCUTCHEON BASE	1	MX21WF (QPQ)
E7	F80345U30HHN	ESCUTCHEON BASE	1	MX21WF (HNE, TNE, YKE, MNQ, YNQ, LNK)
E7	F80345U30HKK	ESCUTCHEON BASE	1	MX21WF (KKE, KNQ)
E7	F80345U30HZP	ESCUTCHEON BASE	1	MX21WF (ZPE)
E8	F60015G10XN	TIMER	1	MX21WF (EXCEPT LNK)
E8	F60015G10LN	TIMER	1	MX21WF (LNK)
E9	F80205U30HXN	TIMER KNOB	1	MX21WF
E10	F80205V00HXN	TIMER KNOB	1	MX21WF