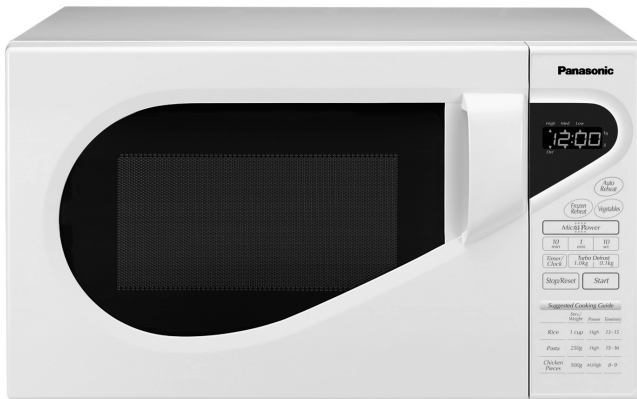


Service Manual

Microwave Oven



NN-MX20WF NN-MX25WF

QPQ(Australia, New Zealand)

KKE(UAE, Egypt, Iran)

KNQ(Kuwait, Doha, Qatar, Oman, Bahrain, Pakistan)

SNM(Saudi Arabia)

ZPE(CIS Countries)

RPE(Peru)

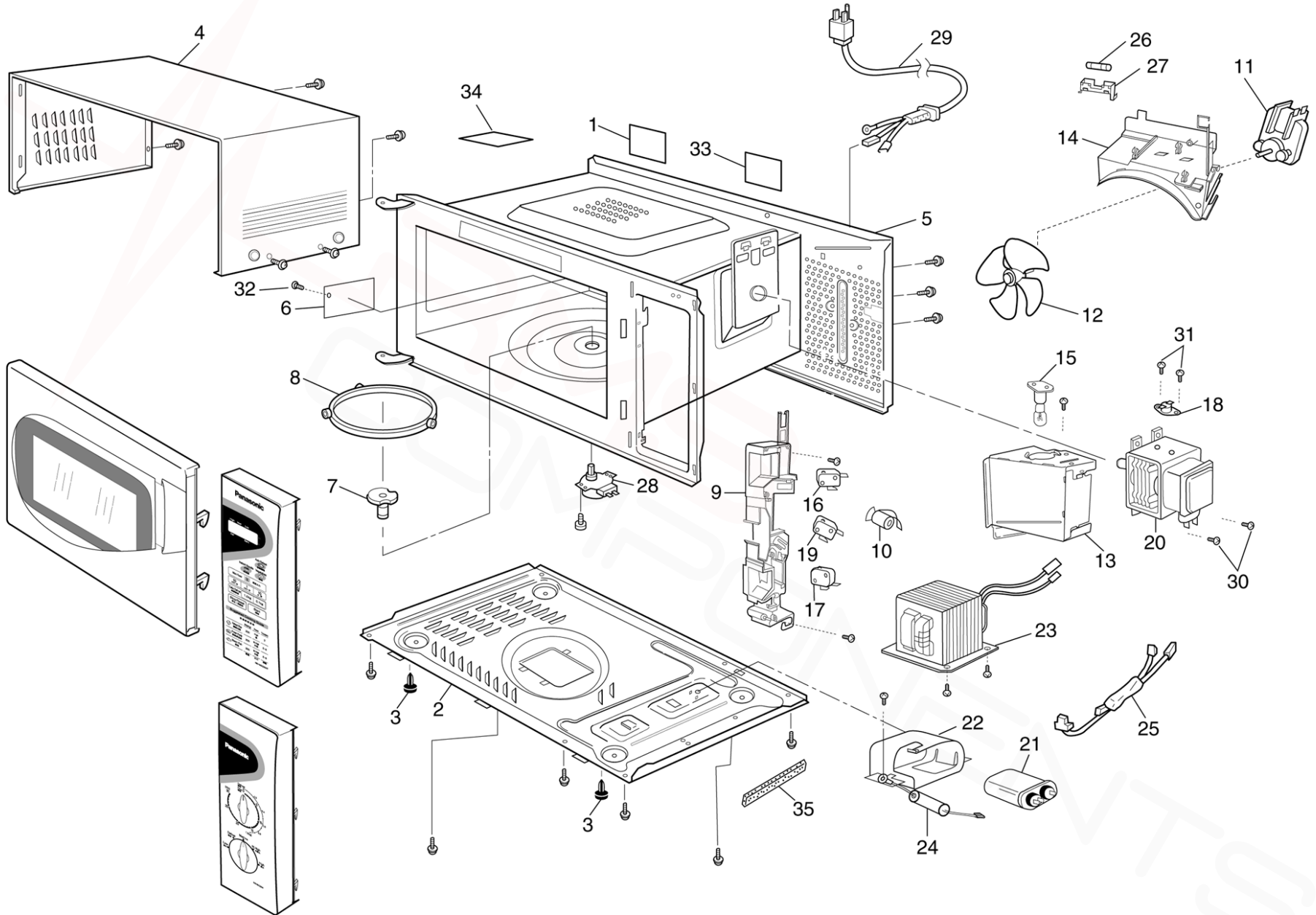
RPK(Chile)

Specification

Model	NN-MX20WF	NN-MX25WF
Power Source:	240V AC Single Phase, 50Hz ----- For KNQ Models 230V~240V AC Single Phase, 50Hz ---- For QPQ Models 220V AC Single Phase, 50Hz ----- For KKE, ZPE, RPE Models 220V AC Single Phase, 50Hz/60Hz ---- For SNM Models 220V AC Single Phase, 60Hz ----- For RPK Models	
Power Requirement:	1250W	1250W
Output(IEC705-88):	800W	800W
Microwave Frequency:	2450MHz	
Timer:	30min	29min.90sec (HIGH POWER)/99min.90sec
Outside Dimensions:	357mm(W) x 482mm(D) x 282mm(H)	
Oven Cavity Dimensions:	330mm(W) x 325mm(D) x 218mm(H)	
Weight:	14kg	
Output power:IEC705-88 Test Procedure		
Specifications subject to change without notice.		

15 EXPLODED VIEW AND PARTS LIST

EXPLODED VIEW



16 PARTS LIST

NOTE:

1. When ordering replacement part(s), please use part number(s) shown in this part list.
Do not use description of the part.
2. Important safety notice:
Components identified by mark have special characteristics important for safety.
When replacing any of these components, use only manufacture's specified parts.

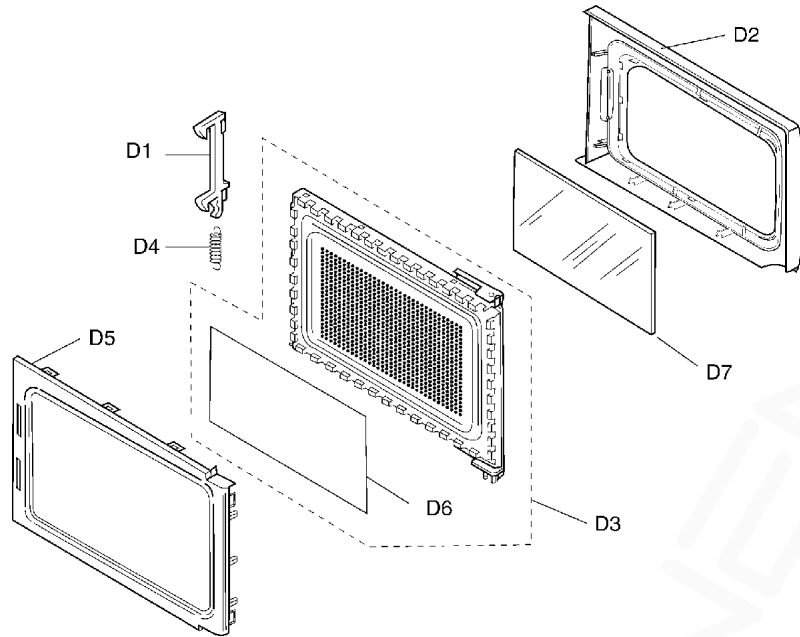
NOTE:

- "A" parts are supplied by MOD (Japan)
- "F" parts are supplied by SIMMC (China)

Ref. No.	Part No.	Part Name & Description	Pcs/Set	Remarks
1	F01575G40KK	NAME PLATE	1	MX25WF KKE
1	F01575G40KN	NAME PLATE	1	MX25WF KNQ
1	F01575G40SN	NAME PLATE	1	MX25WF SNM
1	F01575G40ZP	NAME PLATE	1	MX25WF ZPE
1	F01575G40RPE	NAME PLATE	1	MX25WF RPE
1	F01575G40RPK	NAME PLATE	1	MX25WF RPK
1	F01575G40HQP	NAME PLATE	1	MX25WF QPQ
1	F01575G10HQP	NAME PLATE	1	MX20WF QPQ
1	F01575G10RPE	NAME PLATE	1	MX20WF RPE
1	F01575G10RPK	NAME PLATE	1	MX20WF RPK
2	F10015G10XN	BASE	1	
3	F10084T00AP	RUBBER FOOT	2	
4	F110D5G10HXN	CABINET BODY	1	
5	△ F200A5G10XN	OVEN	1	
6	F20555G10XN	COVER	1	
7	F21315G10XN	PULLY SHAFT	1	
8	F290D5G10XN	ROLLER RING (U)	1	
9	△ F30205G10XN	DOOR HOOK	1	
10	F31365G10XN	HOOK LEVER A	1	
11	F400A5G10XN	FAN MOTOR	1	QPQ, KKE, KNQ, ZPE, RPE
11	F400A4000LN	FAN MOTOR	1	RPK
11	F400A5E90SN	FAN MOTOR	1	SNM
12	F40085G10XN	FAN BLADE	1	
13	F40255G10XN	AIR GUIDE A	1	
14	F41445G40XN	ORIFICE	1	
15	F612E5G10XN	INCANDESCENT LAMP (U)	1	
16	△ J61424T00AP	MICRO SWITCH	1	(PRIMARY LATCH SWITCH)
17	△ J61424T00AP	MICRO SWITCH	1	MX20WF (SECONDARY LATCH SWITCH)
17	△ J61414T00AP	MICRO SWITCH	1	MX25WF (SECONDARY LATCH SWITCH)
18	△ F61455G10XN	THERMAL CUTOUT	1	60°C ON, 180°C OFF
19	△ J61784T00AP	MICRO SWITCH	1	(SHORT SWITCH)
20	△ 2M210-M1F1CR	MAGNETRON	1	EXCEPT QPQ
20	△ 2M210-M1G	MAGNETRON	1	QPQ
21	△ F60905G10XN	H.V.CAPACITOR	1	EXCEPT RPK
21	△ F60905G10AP	H.V.CAPACITOR	1	RPK
22	F60375G10XN	CAPACITOR BRACKET	1	
23	△ F621B5G10MN	H.V.TRANSFORMER	1	QPQ, KNQ
23	△ F621B5G10XN	H.V.TRANSFORMER	1	KKE, SNM, ZPE, RPE
23	△ F621B5G10LN	H.V.TRANSFORMER	1	RPK
24	△ F62025G10XN	DIODE	1	
25	△ F606V5G10XN	PROTECTOR DIODE (U)	1	
26	△ F62305G10XN	FUSE	1	8A, 250V
27	F62315G10XN	FUSE HOLDER	1	EXCEPT QPQ & ZPE
28	F63265G10XN	TURNTABLE MOTOR	1	
29	△ F900C5G40SN	AC CORD W/PLUG	1	SNM
29	△ F900C5G40ZP	AC CORD W/PLUG	1	ZPE
29	△ F900C5G10YK	AC CORD W/PLUG	1	KKE, KNQ
29	△ F900C5G10QP	AC CORD W/PLUG	1	QPQ
29	△ F900C5G10RP	AC CORD W/PLUG	1	RPE
29	△ F900C5G10TN	AC CORD W/PLUG	1	RPK

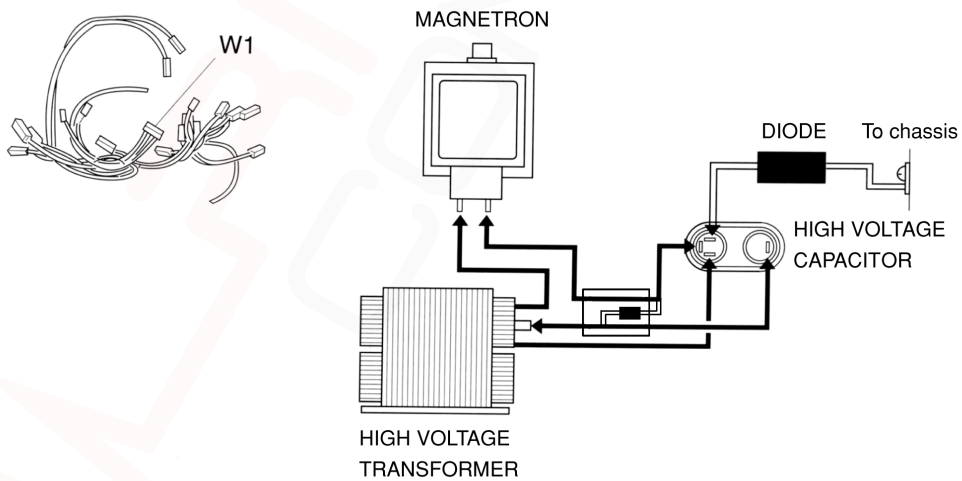
Ref. No.	Part No.	Part Name & Description	Pcs/Set	Remarks
30	XTWFNE4+12T	SCREW	2	FOR MAGNETRON
31	XTEANE3+6B	SCREW	2	FOR THERMAL CUTOUT
33	F00068100HN	CAUTION LABEL	1	QPQ, KKE, KNQ, SNM
33	F00065E90ZP	CAUTION LABEL	1	ZPE
33	F00065E90RP	CAUTION LABEL	1	RPE, RPK
34	F692Y5G10QP	NOISE FILTER (U)	1	QPQ, ZPE
35	F02395E20KN	CORD CAUTION LABEL	1	KKE, KNQ, SNM

17 DOOR ASSEMBLY



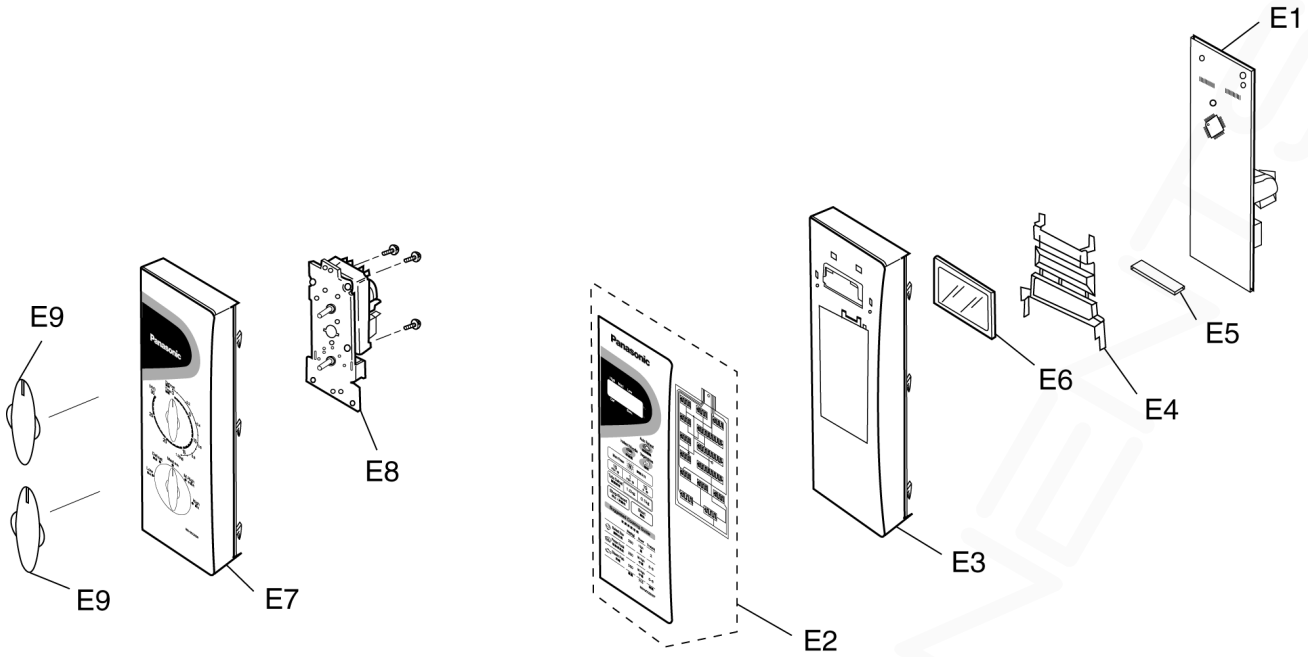
Ref. No.		Part No.	Part Name & Description	Pcs/Set	Remarks
D1		F30185G10XN	DOOR KEY A	1	
D2	△	F30015G10HMN	DOOR A	1	
D3	△	F302K5G10XN	DOOR E (U)	1	
D4		F30215G10XN	DOOR KEY SPRING	1	
D5	△	F30855G10XN	DOOR C	1	
D6	△	F31455G10XN	DOOR SCREEN A	1	
D7		F31465G10XN	DOOR SCREEN B	1	
D8		F01729660JP	CAUTION LABEL B	1	QPQ

18 WIRING MATERIALS



Ref. No.		Part No.	Part Name & Description	Pcs/Set	Remarks
W1		F030A5G40HN	LEAD WIRE HARNESS	1	MX25WF (EXCEPT ZPE & QPQ)
W1		F030A5G40ZP	LEAD WIRE HARNESS	1	MX25WF (ZPE)
W1		F030A5G40QP	LEAD WIRE HARNESS	1	MX25WF (QPQ)
W1		F030A5G10QP	LEAD WIRE HARNESS	1	MX20WF (QPQ)
W1		F030A5G10HN	LEAD WIRE HARNESS	1	MX20WF (RPE, RPK)

19 ESCUTCHEON BASE ASSEMBLY



Ref. No.	Part No.	Part Name & Description	Pcs/Set	Remarks
E1	F603L5G40KK	D.P. CIRCUIT	1	MX25WF (KKE)
E1	F603L5G40KN	D.P. CIRCUIT	1	MX25WF (KNQ)
E1	F603L5G40SN	D.P. CIRCUIT	1	MX25WF (SNM)
E1	F603L5G40ZP	D.P. CIRCUIT	1	MX25WF (ZPE)
E1	F603L5G40RP	D.P. CIRCUIT	1	MX25WF (RPE, RPK)
E1	F603L5G40QP	D.P. CIRCUIT	1	MX25WF (QPQ)
E2	F630Y5G40HKK	MEMBRANE SWITCH (U)	1	MX25WF (KKE, KNQ, SNM)
E2	F630Y5G40HZP	MEMBRANE SWITCH (U)	1	MX25WF (ZPE)
E2	F630Y5G40RP	MEMBRANE SWITCH (U)	1	MX25WF (RPE, RPK)
E2	F630Y5G40HQP	MEMBRANE SWITCH (U)	1	MX25WF (QPQ)
E3	F80345G40HMN	ESCUTCHEON BASE	1	MX25WF
E4	F66174T00AP	DISPLAY TUBE COVER	1	MX25WF
E5	A67004T00AP	RUBBER CONNECTOR	1	MX25WF
E6	AEDDHJ5G40XN	DISPLAY	1	MX25WF (EXCEPT QPQ)
E6	AEDDHJ5G60XN	DISPLAY	1	MX25WF (QPQ)
E7	F80345G10HQP	ESCUTCHEON BASE	1	MX20WF (QPQ)
E7	F80345G10HRP	ESCUTCHEON BASE	1	MX20WF (RPE, RPK)
E8	F60015G10XN	TIMER	1	MX20WF (QPQ, RPE)
E8	F60015G10LN	TIMER	1	MX20WF (RPK)
E9	F80205G10HMN	TIMER KNOB	2	MX20WF