

Service Manual

Microwave Oven



Simplified

MODEL	QPQ
	AUSTRALIA
NN-D801	<input type="radio"/>

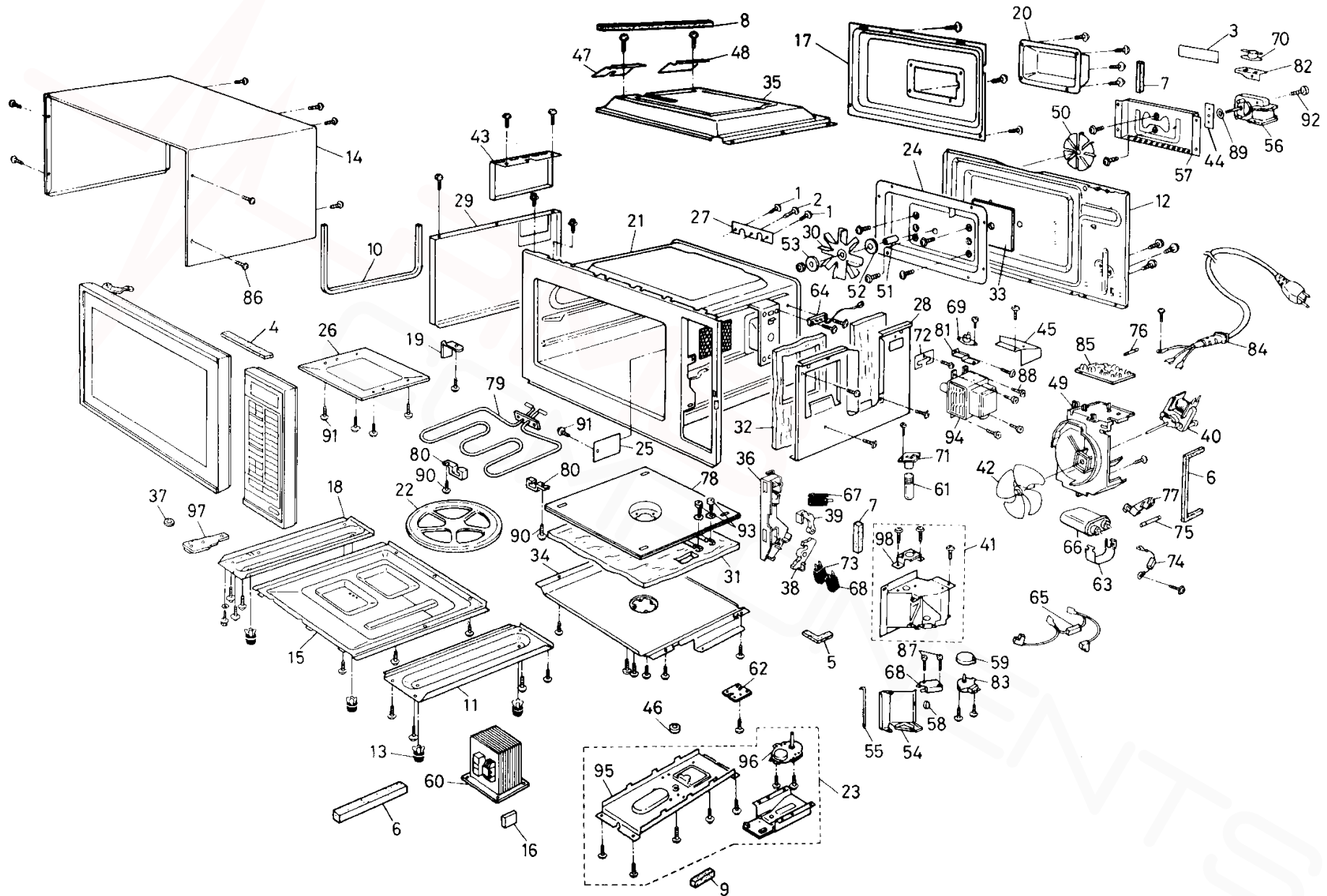
Please file and use this simplified manual together with the service manual for Model NN-D851, ORDER NO. CAD92070528C3.

Specifications

Power Source :	240 V AC Single Phase 50 Hz
Power Requirement :	1,760 W.....Maximum 1,480 W.....Microwave
Output :	800 W.....Full Microwave Power (IEC-705) 1,700 W.....Heater
Microwave Frequency :	2,450 MHz
Timer :	99 Min. 99 Sec./9 Hr. 99 Min.
Outside Dimensions :	558 mm (W) × 520 mm (D) × 389 mm (H)
Oven Cavity Dimensions :	367 mm (W) × 387 mm (D) × 254 mm (H)
Weight :	Approx. 34.5 kg
Specifications subject to change without notice.	

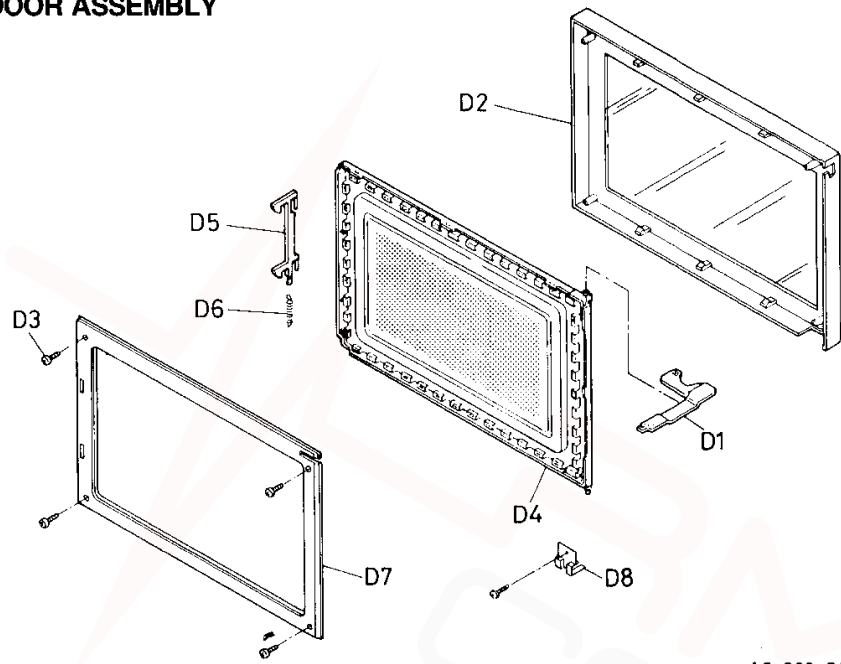
Panasonic

EXPLODED VIEW



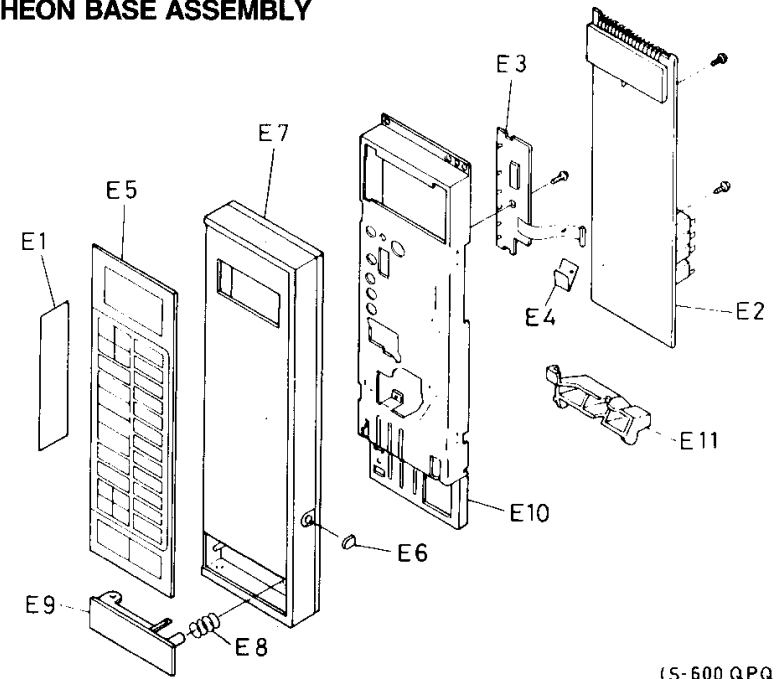
EXPLODED VIEW AND PARTS LIST

DOOR ASSEMBLY



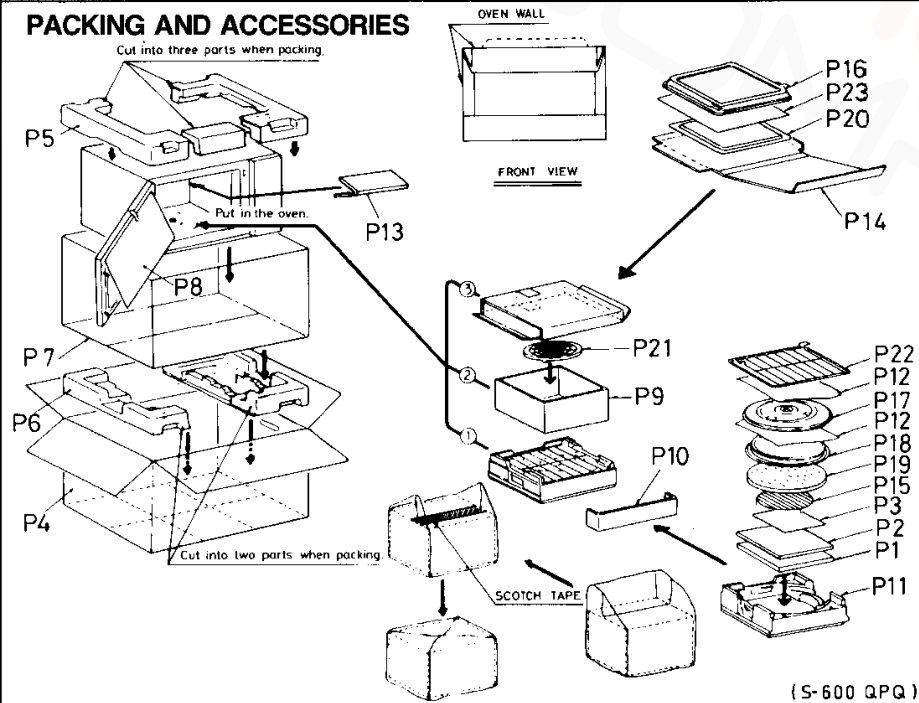
(S-600 QPQ)

ESCUTCHEON BASE ASSEMBLY



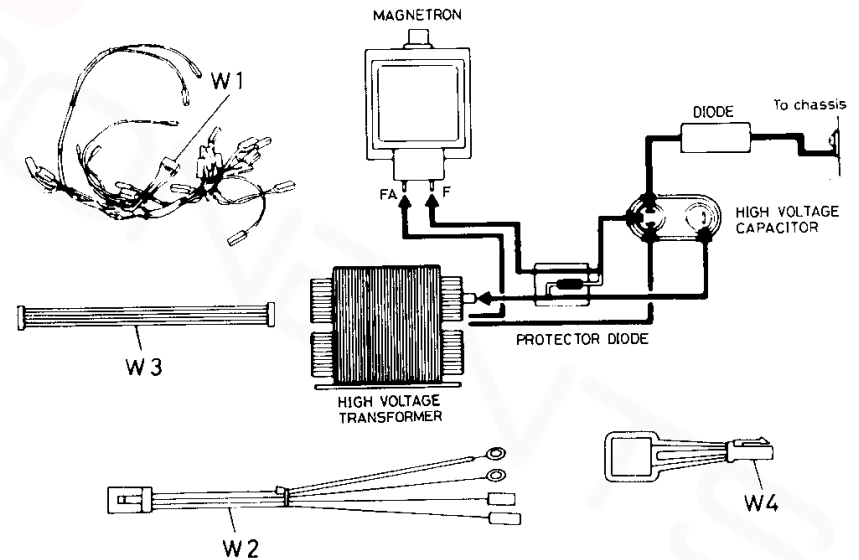
(S-600 QPQ)

PACKING AND ACCESSORIES



(S-600 QPQ)

WIRING MATERIAL



(S-600 QPQ)

PARTS LIST

NOTE 1: When ordering replacement part(s), please use part number(s) shown in this parts list.

Do not use description of the part.

2: Important safety notice:

Components identified by \triangle mark have special characteristics important for safety.

When replacing any of these components, use only manufacturer's specified parts.

Ref. No.	Part No.	Part Name & Description	Pcs/Set	Remarks	Ref. No.	Part No.	Part Name & Description	Pcs/Set	Remarks
1	XSB4+10FNSE	SCREW	2	4X10(FOR HEATER COVER)	62	A60325020AP	TERMINAL PLATE	1	
2	XTY4+E10FN	SCREW	1	4X10(FOR HEATER COVER)	63	A60374760GP	CAPACITOR BRACKET	1	
3	A00065460JP	CAUTION LABEL	1		64	A605Y4210AP	OVEN TEMP SENSOR	1	
4	ANE0921000BK	CUSHION RUBBER C	1		65	A606V5110BP	PROTECTOR DIODE	1	
5	ANE0921000CG	CUSHION RUBBER C	1		66	\triangle A60904080GP	H.V.CAPACITOR	1	(1.14 μ F, AC2100V)
6	ANE000Z000AA	CUSHION RUBBER C	2		67	\triangle ANE61424L0AG	MICROSWITCH	1	(V-16G-3C26) PRIMARY LATCH SWITCH
7	ANE0924000AG	CUSHION RUBBER C	2		68	\triangle A61425180AP	MICROSWITCH	2	(L-3C2-2) SECONDARY LATCH SWITCH/SHUTTER SWITCH
8	ANE0924000AT	CUSHION RUBBER C	1		69	\triangle A61455850GP	THERMAL CUTOFF	1	
9	ANE0925000BF	CUSHION RUBBER C	1		70	\triangle A61456000BP	THERMAL CUTOFF	1	
10	ANE0925000BZ	CUSHION RUBBER C	1		71	\triangle A61525870GP	SOCKET	1	(3A, 250V)
11	A10015020AP	BASE	1		72	A61566000BP	INSULATION PANEL	1	
12	A10046000BP	BACK PANEL	4		73	\triangle A61785180AP	MICRO SWITCH	1	(L-2C2-2) SHORT SWITCH
13	ANE1008-5S0	RUBBER FOOT	1		74	\triangle A62024000AP	DIODE,SI	1	
14	A10096000QP	CABINET BODY (U)	1		75	\triangle ANE6230Z70BP	FUSE	1	(6A)
15	A10266000BP	BASE C	1		76	\triangle A62304210BP	FUSE	1	(10A)
16	A10496000BP	CUSHION RUBBER	1		77	A62314000AP	FUSE HOLDER	1	
17	A10586000BP	BACK PANEL COVER A	1		78	A630G6000BP	HEATER	1	(240V, 1000W)
18	A11295020AP	BASE B	1		79	A630H6000BP	HEATER B	1	(240V, 1700W)
19	A11486000BP	BRACKET	1		80	ANE6418Z70BP	HEATER SUPPORT B	2	
20	A11836000BP	BACK PANEL B	1		81	A64306000BP	THERMAL CUTOFF MOUNT	1	
21	\triangle A200A6000BP	OVEN	1		82	A66266000BP	THERMAL CUTOFF MOUNT	1	
22	A201F6000BP	TURN TABLE	1		83	A68076000BP	SHUTTER MOTOR	1	
23	A203K6000BP	WEIGHT SENSOR	1		84	\triangle A900C5110JP	AC CORD W/PLUG	1	(240V)
24	A203M6000BP	HEATER PANEL	1		85	A692Y6000QP	NOISE FILTER (U)	1	
25	A20556000BP	COVER	1		86	XTC4+10BC	SCREW	4	4X10(FOR CABINET BODY)
26	A21446000BP	UPPER PANEL	1		87	XTN3+16B	SCREW	2	3X16(FOR SWITCH)
27	A22266000BP	HEATER COVER	1		88	XTWANE4+10RU	SCREW	4	4X10(FOR MAGNETRON)
28	A22366000BP	RIGHT HEATER PANEL	1		89	XUEANE32KP	RING	1	
29	A22376000BP	LEFT HEATER PANEL	1		90	XYC4+F16XN	SCREW	2	4X16(FOR HEATER SUPPORT)
30	A2239-1550	CIRCULATION FAN	1		91	XYD4+BC12XRK	SCREW	5	4X12(FOR UPPER PANEL, COVER)
31	A22426000BP	ADIABATIC MATERIAL A	1		92	XYN3+C25V	SCREW	1	(FOR HEATER FAN MOTOR)
32	A22586000BP	ADIABATIC MATERIAL C	1		93	XYN5+C10FN	SCREW	2	5X10(FOR HEATER)
33	A22596000BP	ADIABATIC MATERIAL D	1		94	\triangle 2M210-M1C2PL	MAGNETRON	1	
34	A22776000BP	LOWER HEATER PANEL	1		95	A63236000BP	BRACKET	1	
35	A22786000BP	UPPER HEATER PANEL	1		96	A63266000BP	TURN TABLE MOTOR	1	
36	\triangle A30204310AG	DOOR HOOK	1		97	A301L4210AP	HINGE	1	
37	ANE3081B60AP	SPACER	1		98	A66036000BP	OVEN LAMP BRACKET	1	
38	A31374650AP	HOOK SPACER B	1		DOOR ASSEMBLY				
39	A31384650AP	HOOK SPACER C	1		D1	\triangle A300B6000BP	UPPER HINGE	1	
40	A400A5110QP	FAN MOTOR	1	(AC, 25W, SINGLE)	D2	\triangle A302A6000KBP	DOOR A (U)	1	
41	A400E6000BP	AIR GUIDE A	1		D3	XTBANE4+12FK	SCREW	4	4X12
42	ANE40086W0AP	FAN	1		D4	\triangle A302K6000BP	DOOR E (U)	1	
43	A40246000BP	EXHAUST GUIDE A	1		D5	A30184650AP	DOOR KEY	1	
44	A40306000BP	AIR GUIDE D	1		D6	A30214000AP	DOOR KEY SPRING	1	
45	A40316000BP	AIR GUIDE C	1		D7	\triangle A30855020CP	DOOR C	1	
46	A4071-1580	WASHER	1		D8	A32186000BP	SPACER	1	
47	A41076000BP	EXHAUST GUIDE B	1		ESCUTCHEON BASE ASSEMBLY				
48	A41196000BP	EXHAUST GUIDE D	1		E1	A01576000QP	NAME PLATE	1	
49	A41445540AP	ORIFICE	1		E2	A603L6000QP	D.P.CIRCUIT (U)	1	RTL (W/COMPONENT)
50	A4159-1560	FAN	1		E3	A605Q6000BP	PC BOARD F (U)	1	
51	A41616000BP	SPACER A	1		E4	A60706000BP	INSULATION SHEET	1	
52	ANE4163-E00	SPACER C	1		E5	A64796000HQP	MEMBRANE SWITCH	1	
53	A41636000BP	SPACER C	1						
54	A41736000BP	SHUTTER	1						
55	A41746000BP	SHAFT	1						
56	A41796000BP	HEATER FAN MOTOR	1						
57	A41806000BP	FAN MOTOR BRACKET	1						
58	A41834210AP	RUBBER CUSHION	1						
59	A48236000BP	CAM A	1						
60	\triangle A600B6000BP	H.V. TRANSFORMER	1	(1.5KVA)					
61	A60304080BP	INCANDESCENT LAMP	1	(20W, 240V)					

Ref. No.	Part No.	Part Name & Description	Pcs/ Set	Remarks
E6	A80296000BP	BANG	1	(NOTE 4)
E7	A80346000KBP	ESCUTCHEON BASE	1	
E8	ANE80378A0AG	COOK BUTTON SPRING	1	
E9	A80726000KBP	DOOR OPENING BUTTON	1	
E10	A81276000BP	BACK PANEL	1	
E11	A82565110BP	DOOR OPENING LEVER	1	

PACKING AND ACCESORIES

P1	A000B6000QP	COOK BOOK	1	
P2	A00036000HQP	INSTRUCTION BOOK	1	
P3	A00955500QP	CAUTION LABEL B	1	
P4	A01026000QP	PACKING CASE,PAPER	1	
P5	A01046000BP	UPPER FILLER	1	
P6	A01056000BP	LOWER FILLER	1	
P7	A01066000BP	VINIL COVER	1	
P8	A01076000BP	DOOR SHEET	1	
P9	A01086000BP	TRAY PACKING	1	
P10	A01106000BP	RACK PACKING	1	
P11	A01136000BP	TRAY STYROL	1	
P12	ANE0207-860	STYROL SHEET	2	
P13	A02196000BP	PACKING	1	
P14	A03386000BP	TRAY PACKING	1	
P15	A060V5870SP	HIGH BAKING RACK	1	
P16	A060W6000BP	BROIL PAN	1	
P17	A06014000AP	GLASS COOKING TRAY	1	
P18	A06015020AP	METAL COOKING TRAY	1	
P19	A06485020AP	SPATTER SHIELD	1	
P20	A06485080BP	SPATTER SHIELD	1	
P21	A07086000BP	RACK	1	
P22	A07216000BP	WARMING RACK	1	
P23	ANE02072L0AP	STYROL SHEET	1	

WIRING MATERIAL

W1	A030A6000QP	LEAD WIRE HARNESS	1	
W2	A03606000BP	LEAD WIRE	1	
W3	A03616000BP	LEAD WIRE	1	
W4	A604Q6000BP	NOISE KILLER	1	

REF NO.85 NOISE FILTER(U)

F1	A62316010BP	FUSE HOLDER	2	
ZNR1	ERZC10DK621F	VARISTOR	1	
ZNR2 3	ERZC10DK112A	VARISTOR	2	

REF.NO.E3 P.C.BOARD(U)

D401	AELN4914D	LED	1	
D402	AELN4414G	LED	1	
D403, 404, 405, 406	AELN4214R	LED	4	
IC401	AEICUPA2004C	LSI	1	
R401, 402	ERDS2TJ151T	CARBON FILM RESISTOR	2	150Ω,1/4W±5%
R403, 404, 405, 406	ERDS2TJ391T	CARBON FILM RESISTOR	4	390Ω,1/4W±5%

NOTE 4 : Please order name plate together.

PARTS LIST FOR MICROWAVE OVEN TRIM KITS

Exploded View

Trim kit Model No.	Top and Bottom Strip Ref No:1.2	Pcs/ Set	Side Strip Ref No:3.4	Pcs/ Set	Microwave Oven Model No.
NN-TKD81	A1603A360KBP	2	A1601A361KBP	2	

NOTE: The top and bottom strips have the same part number and the left and right side strips also have the same part number. These parts will be supplied on one piece per one part number.