

Service Manual

Microwave Oven

Model No. **NN-CD987W**

Model No. **NN-CD997S**



⚠ WARNING

This service information is designed for experienced repair technicians only and is not designed for use by the general public. It does not contain warnings or cautions to advise non-technical individuals of potential dangers in attempting to service a product. Products powered by electricity should be serviced or repaired only by experienced professional technicians. Any attempt to service or repair the product or products dealt with in this service information by anyone else could result in serious injury or death.

IMPORTANT SAFETY NOTICE

There are special components used in this equipment which are important for safety. These parts are marked by **⚠** in the Schematic Diagrams, Circuit Board Diagrams, Exploded Views and Replacement Parts List. It is essential that these critical parts should be replaced with manufacturer's specified parts to prevent shock, fire or other hazards. Do not modify the original design without permission of manufacturer.

TABLE OF CONTENTS

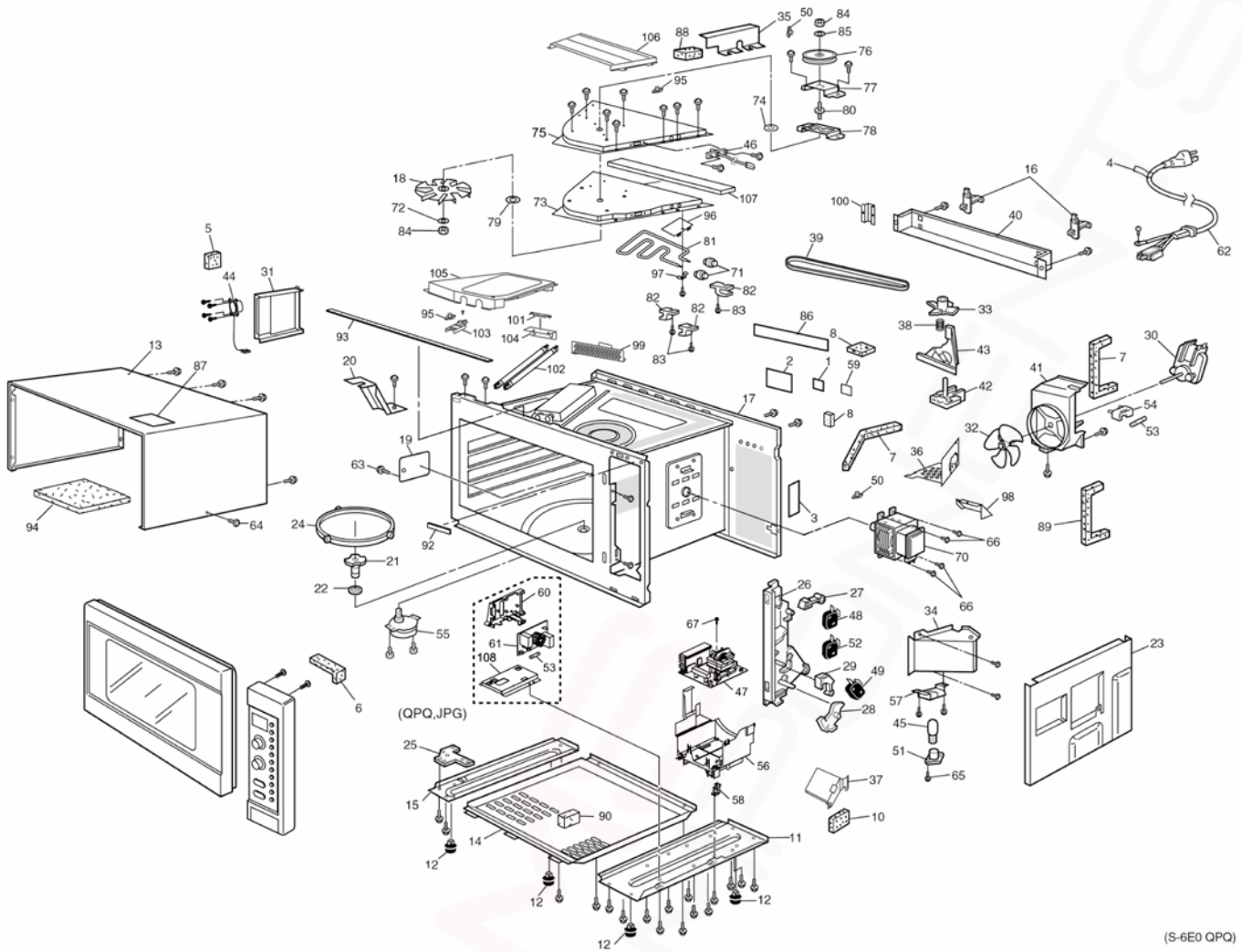
	PAGE	PAGE
1 Warning	2	
2 Specifications	3	
3 Location of Controls and Components	4	
4 Test Mode	5	
5 Service Mode	9	
6 Troubleshooting Guide	10	
7 Disassembly and Assembly Instructions	18	
8 Schematic Diagram	21	
9 Exploded View and Replacement Parts List	26	

Panasonic®

© 2007 Matsushita Electric Industrial Co., Ltd. All rights reserved. Unauthorized copying and distribution is a violation of law.

9 Exploded View and Replacement Parts List

9.1. EXPLODED VIEW AND PARTS LIST



(S-6E0 QPQ)

9.2. PARTS LIST

When ordering replacement part(s) please use part number(s) shown in this parts list.

Do not use description of the part.

Important safety notice:

Components identified by Δ mark have special characteristics important for safety.

When replacing any of these components, use only manufacturer's specified parts.

Alphabet marks in Remarks columns (I. e. HPE etc.) indicate parts applicable to only specified country models as follows.

HPE : For Hong Kong, JPG: For new Zealand, KTE: For U.A.E.

KPQ : For Kuwait, Qatar, Oman, Baharain, Pakistan, ZPE: For CIS

MPQ: For Malaysia, QPQ: For Australia, STM: For Saudi Arabia, PTE: For Iran

YPQ : For Singapore PTE: For Iran YTE: For Other country

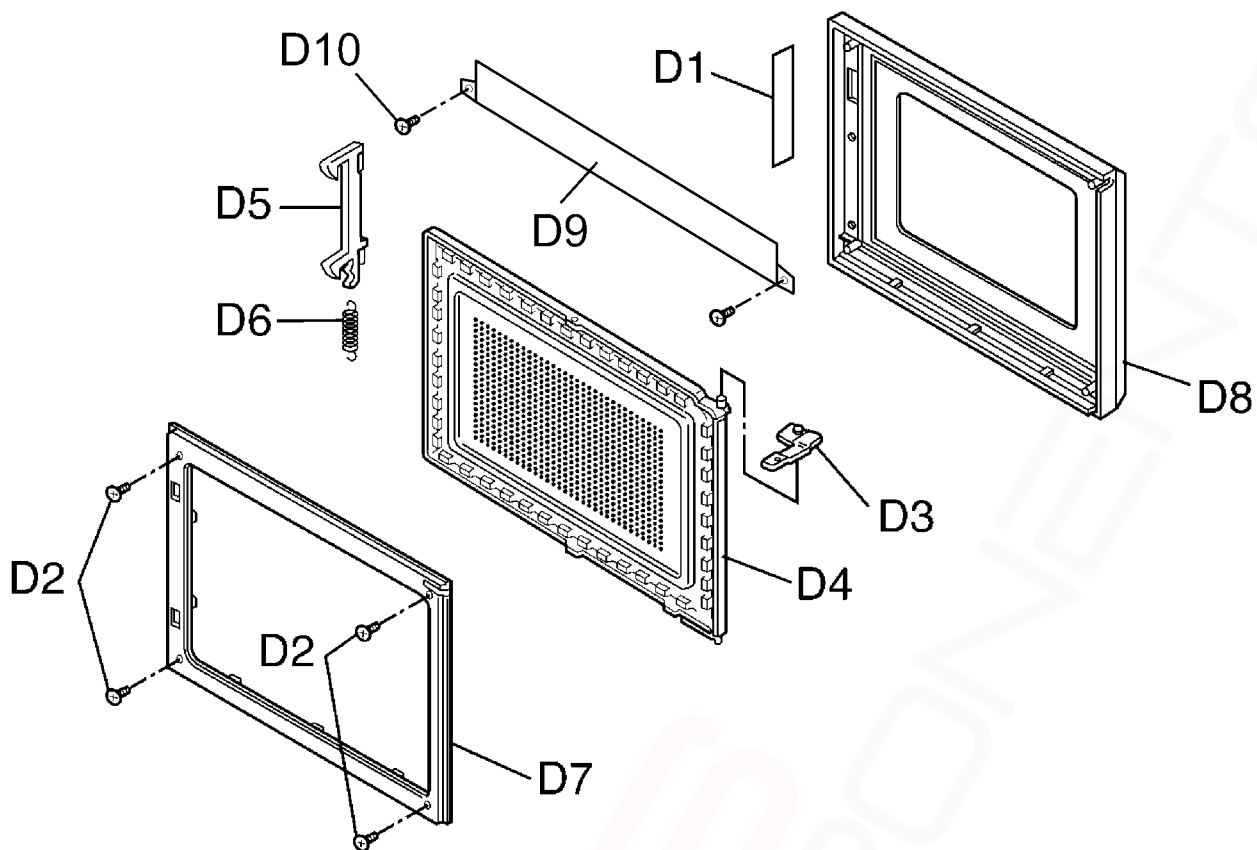
Parts without these marks can be used for all models.

Safety	Ref. No.	Part No.	Part Name & Description	Pcs/Set	Remarks
	1	ANE00057J0XN	EARTH LABEL	1	YTE
	2	A00064X70JP	CAUTION LABEL	1	QPQ/YTE/YPQ/JPG/HPE/KTE/KPQ/MPQ/STM/PTE
	2	A00065540MN	CAUTION LABEL	1	YPQ
	2	A00066000ZP	CAUTION LABEL.	1	ZPE
	3	ANE0033730GN	FUSE LABEL 10A	1	OTHER THAN PTE
	3	A00337F40PT	FUSE LABEL 15A	1	PTE
	4	ANE0239L00XN	CORD LABEL	1	KTE/STM/PTE/KPQ
	5	ANE0902000CA	CUSHION RUBBER A	1	
	6	ANE0921000BK	CUSHION RUBBER C	1	
	7	ANE0924000AQ	CUSHION RUBBER C	1	
	8	ANE0922000DD	CUSHOIN RUBBER C	1	
	9	ANE0902000AV	CUSHION RUBBER A	1	
	10	ANE0924000GE	CUSHION RUBBER C	1	
	11	A10017M70AH	BASE	1	
	12	ANE1008-3W0	RUBBER FOOT	4	
	13	A10097F70HQP	CAB NET BODY	1	NN-CD987W
	13	A10097F40QP	CABINET BODY	1	NN-CD997S
	14	A10267F40QP	BASE C	1	
	15	A11294X00AP	BASE B	1	
	16	A11406660QP	STOPPER	2	
	17	A200A7F40QP	OVEN	1	
Δ	18	ANE22392L0AP	CIRCULATION FAN	1	
	19	A20554X00AP	COVER	1	
	20	A20764X00AP	REINFORCE BRACKET C	1	
	21	A21315870GP	PULLEY SHAFT	1	
	22	ANE2177-F80	WASHER	1	
	23	A22365450AP	RIGHT HEATER PANEL	1	
	24	A290D4X70MN	ROLLER RING	1	
Δ	25	A30077M70AH	LOWER HINGE	1	
Δ	26	A30208000BP	DOOR HOOK A	1	
	27	A31368000BP	HOOK SPACER A	1	
	28	A31374830AP	HOOK SPACER B	1	
	29	A31384830AP	HOOKS PACER C	1	
	30	A400A7F40QP	FAN MOTOR	1	
	31	A400K7F40QP	EXHAUST GUIDE	1	
	32	ANE40086W0AP	FAN	1	
	33	A40087F40QP	FAN	1	
	34	A40256660QP	AIR GUIDE A	1	MAGNETRON
	35	A40267F40QP	AIR GUIDE B	1	
	36	A40307F40QP	AIR GUIDE D	1	
	37	A40477F40QP	AIR GUIDE E	1	INVERTER
	38	ANE4057-F50	SPRING	1	
	39	A40606660QP	BELT	1	
	40	A41206660QP	EXHAUST COVER	1	BACK
	41	A41446660SN	ORIFICE	1	
	42	A41797F40QP	HEATER FAN MOTOR	1	MPQ/JPG/KPQ/QPQ/YPQ (16W)
	42	A41797F40ST	HEATER FAN MOTOR	1	STM/ZPE/YTE/PTE/KTE/HPE (35/33.5W)
	43	A41804X00AP	HEATER FAN MOTOR BRACKET	1	
	44	A601L7F40QP	HUMIDITY SENSOR	1	
	45	A60304080BP	INCANDESCENT LAMP	1	(20W/240V)
	46	A605A4X70QP	THERMISTOR	1	
Δ	47	A606Y7F40QP	H. V. INVERTER	1	

Safety	Ref. No.	Part No.	Part Name & Description	Pcs/Set	Remarks
△	48	A6142-1450	MICRO SWITCH	1	(V-15G-3C26-1) (PRIMARY)
△	49	A61425180AP	MICRO SWITCH	1	(L-3C2-2) (SECONDARY)
△	50	A61456670AP	THERMAL CUTOUT	1	MAGNETRON CONV HEATER SIDE
	51	A61527F40QP	SOCKET	1	
△	52	A61785180AP	MICRO SWITCH	1	(L-2C2-2) (SHORT SW)
△	53	A62304210BP	FUSE	1	(10A/250V) EXCEPT PTE
	53	A62303A60AP	FUSE	1	(15A/250V) PTE
	54	A62314000AP	FUSE HOLDER	1	PTE/HPE/KTE/KPQ/MPQ/YPQ/YTE
	55	A63267F40ST	TURNTABLE MOTOR	1	HPE/KTE/PTE/ZPE/STM/YTE
	55	A63267F40QP	TURNTABLE MOTOR	1	QPQ/KPQ/M PQ/YPQ/J PG
	56	A65857M70AH	P. C. B. HOLDER A	1	INVERTER
	57	A66037F40QP	OVEN LAMP BRACKET	1	
	58	A66627M70AH	EARTH SPACER	1	INVERTER EARTHING
	59	A02846E00YP	NUMBER LABEL	1	
	60	A67927M70AH	P. C. B. HOLDER C	1	NOISE FILTER PCB
	61	A692Y4T00QP	NOISE FILTER	1	QPQ/JPG/STM/ZPE
△	62	A900C7F40HP	AC CORD W/PLUG	1	HPE (220-240V)
△	62	A900C7F40MP	AC CORD W/PLUG	1	KTE/KPQ/MPQ/YPQ (220-240V)
△	62	A900C7F40YT	AC CORD W/PLUG	1	YTE (230-240V)
△	62	A900C7F40ST	AC CORD W/PLUG	1	STM (220-240V)
△	62	A900C7F40PT	AC CORD W/PLUG	1	PTE (220V)
△	62	A900C7F40QP	AC CORD W/PLUG	1	QPQ/JPG (240V)
△	62	A900C7F40ZP	AC CORD W/PLUG	1	ZPE
	63	XST4+5VS	SCREW	1	4X5 (FOR COVER)
	64	XTT4+8RDN	SCREW	1	4X8 (FOR CABINET BODY)
	65	XTWA3+10S4J	SCREW	1	3X10 (FOR LAMP SOCKET)
	66	XTWA4+10RUJ	SCREW	4	4X10 (FOR MAGNETRON)
	67	XTWA3+8CFJ	SCREW	1	3X8 (FOR INVETER EARTH)
	68	XTW3+18BJ	SCREW	4	
	69	XYD4+EE12F	SCREW	1	4X12 (FOR EARTH)
△	70	2M261-M1J1	MAGNETRON	1	
	71	A65017M70AH	HEATER HOLDER C	2	
	72	XWS4VL	WASHER	2	
	73	A21447F40QP	UPPER PANEL	1	
	74	A21776660QP	WASHER	1	
	75	A22787F40QP	UPPER HEATER PANEL	1	
	76	A41325020AQ	PULLEY B	1	
	77	A41575450AP	FAN BRACKET A	1	
	78	A41585450AP	FAN BRACKET B	1	
	79	A41635020AQ	FAN SPACER C	1	
	80	A400S6660QPS	SHAFT	1	
	81	A630G7F40QP	HEATER A	1	QPQ/KPQ/MPQ/YPQ
	81	A630G7F40PT	HEATER A	1	STM/ZPE/HPE/PTE/KTE/YTE
	81	A630G7F40JP	HEATER A	1	JPG
	82	A64177M70AH	HEATER SUPPORT	3	
	83	XTWANE35+14N	SCREW	3	3.5X14 (FOR HEATER SUPPORT)
	84	XNG4EVS	NUT	2	
	85	A41074X70QP	EXHAUST GUIDE B	1	
	86	A01577F40HP	NAME LABEL	1	NN-CD997S HPE
	86	A01577F40KT	NAME LABEL	1	NN-CD997S KTE
	86	A01577F40KP	NAME LABEL	1	NN-CD997S KPQ
	86	A01577F40YT	NAME LABEL	1	NN-CD997S YTE
	86	A01577F40MP	NAME LABEL	1	NN-CD997S MPQ
	86	A01577F40ST	NAME LABEL	1	NN-CD997S STM
	86	A01577F40PT	NAME LABEL	1	NN-CD997S PTE
	86	A01577F40YP	NAME LABEL	1	NN-CD997S YPQ
	86	A01577F40QP	NAME LABEL	1	NN-CD997S QPQ
	86	A01577F40JP	NAME LABEL	1	NN-CD997S JPG
	86	A01577F40ZP	NAME LABEL	1	NN-CD997S ZPE
	86	A01577F70QP	NAME LABEL	1	NN-CD987W QPQ
	86	A01577F70ST	NAME LABEL	1	NN-CD987W STM
	86	A01577F70PT	NAME LABEL	1	NN-CD987W PTE
	86	A01577F70KT	NAME LABEL	1	NN-CD987W KTE
	86	A01577F70JP	NAME LABEL	1	NN-CD987W JPG
	87	A05427F40JP	HOT CAUTION LABEL	1	QPQ/PTE/KTE/STM/KPQ/JPG
	87	A05427F40ZP	HOT CAUTION LABEL	1	ZPE
	87	A05427F40MP	HOT CAUTION LABEL	1	MPQ/HPE/YPQ/YTE
	88	A09254X70QP	CUSHION RUBBER C	1	
	89	ANE0922000AQ	CUSHION RUBBER C	1	
	90	ANE0927000AK	CUSHION RUBBER C	1	BASE C
	91	ANE0922000AD	CUSHION RUBBER C	1	
	92	ANE0961000AH	CUSHION RUBBER C	1	OVEN

Safety	Ref. No.	Part No.	Part Name & Description	Pcs/Set	Remarks
	93	ANE0961000BK	CUSHION RUBBER C	1	OVEN
	94	A22437F40QP	ADIABATIC MATERIAL B	1	OUTER PANEL
△	95	A61457F40QP	THERMAL CUTOOUT	2	HEATERS
	96	A64237F40QP	HEATER HOLDER A	1	HEATER
	97	A64297F40QP	HEATER HOLDER A	1	HEATER
	98	A40317F40QP	AIR GUIDE C	1	MAGNETRON
	99	A41917F40QP	EXHAUST GUIDE B	1	
	100	A44777F40QP	EXHAUST GUIDE	1	BACK
	101	A60327F40QP	TERMINAL PLATE	1	GRILL HEATERS CONNECTION
△	102	A630H7F40QP	HEATER B U	1	QPQ/KPQ/YPQ/MPQ
△	102	A630H7F40PT	HEATER B U	1	HPE/ZPG/PTE/KTE/STM/YTE
△	102	A630H7F40JP	HEATER B U	1	JPG
	103	A66267F40QP	THERMAL CUTOOUT BRACKET	1	GRILL HEATER
	104	A64607F40QP	HEATER BRACKET A	1	GRILL HEATER
	105	A22177F40QP	HEATER PANEL	1	GRILL HEATER COVER
	106	A22187F40QP	HEATER PANEL	1	CONVECTION HEATER COVER
	107	A22427F40QP	ADIABATIC MATERIAL B	1	HEATER
	108	A67927M70AH	PCB HOLDER	1	NOISE FILTER

9.3. DOOR ASSEMBLY

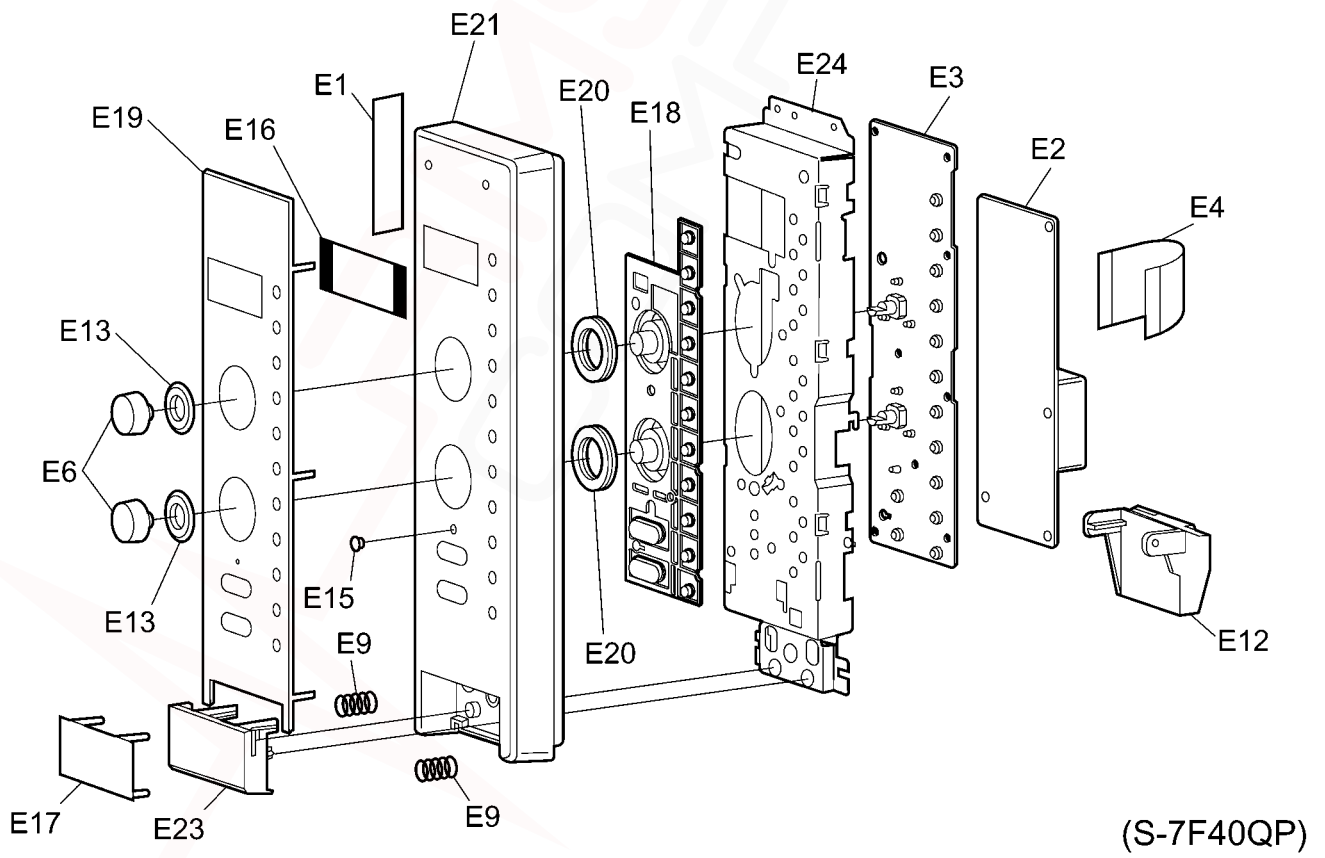
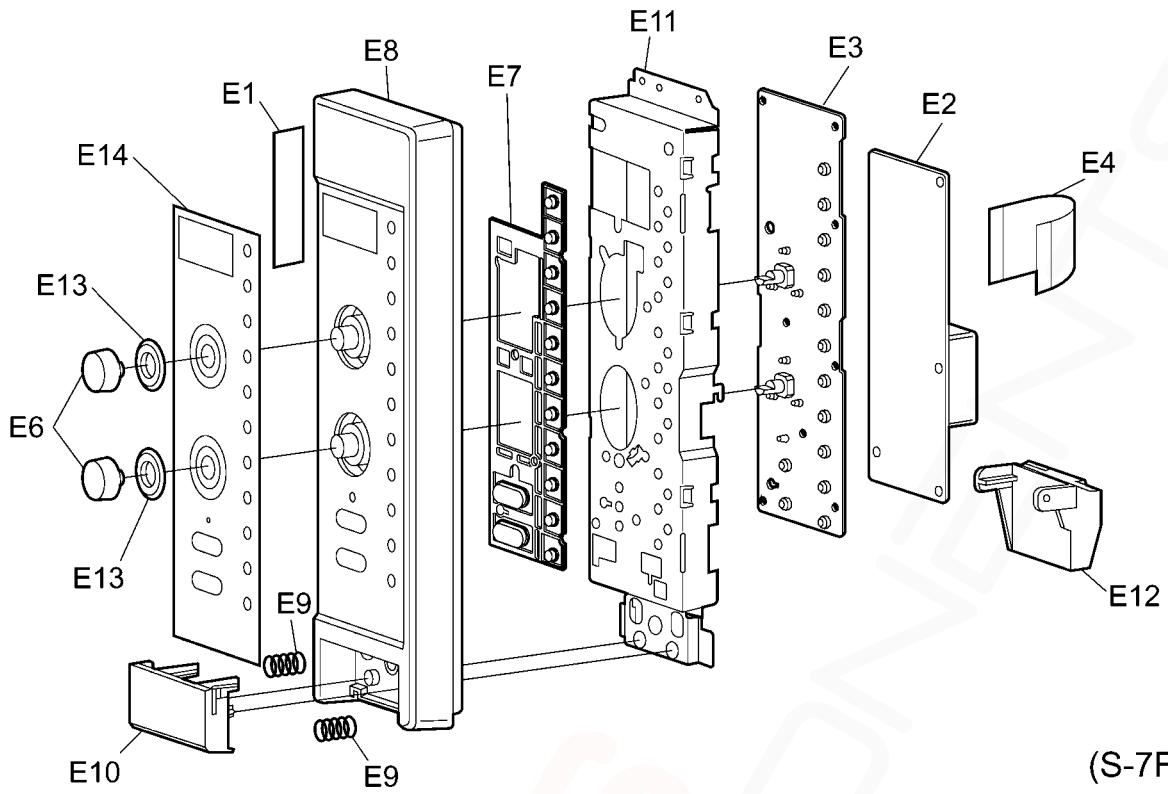


(S-7F40)

Safety	Ref. No.	Part No.	Part Name & Description	Pcs/Set	Remarks
	D1	A01726210JP	CAUTION LABEL	1	JPG
	D2	XTBANE4+12FKJ	SCREW	4	4X12 (FOR DOOR C)
⚠	D3	A300B5450AP	UPPER HINGE	1	
⚠	D4	A302K6660QP	DOOR E	1	
	D5	A30186660QP	DOOR KEY A	1	
	D6	A30214000AP	DOOR KEY SPRING	1	
⚠	D7	A30856660QP	DOOR C	1	
	D8	A302A7F40MP	DOOR A	1	NN-CD997S YTE/YPQ/HPE/MPQ
	D8	A302A7F40KP	DOOR A	1	NN-CD997S KTE/KPQ/STM/PTE
	D8	A302A7F40QP	DOOR A	1	NN-CD997S JFG/QPQ
	D8	A302A7F40ZP	DOOR A	1	NN-CD997S ZPE
	D8	A302A7F4HKP	DOOR A	1	NN-CD987W PTE/KTE/STM
	D8	A302A7F4HQP	DOOR A	1	NN-CD987W QPQ/JPG
	D9	A33816E00AP	HEAT SHIELD PANEL	1	NN-CD997S
	D10	XTW3+8Q	SCREW	2	3X8 (FOR D9)
	D11	A05427F40QP	HOT CAUTION LABEL	1	QPQ

NOTE 1 : Please order DHHS LABEL or CAUTION LABEL together.

9.4. ESCUTCHEON BASE ASSEMBLY



Safety	Ref. No.	Part No.	Part Name & Description	Pcs/Set	Remarks
	E1	A02840000MK	NUMBER LABEL	1	YPQ
	E2	A603Y7F40QP	PC BOARD D	1	
	E3	A603L7F40HP	PC BOARD A	1	HPE
	E3	A603L7F40PT	PC BOARD A	1	PTE
	E3	A603L7F40ZP	PC BOARD A	1	ZPE
	E3	A603L7F40KT	PC BOARD A	1	KTE
	E3	A603L7F40ST	PC BOARD A	1	STM
	E3	A603L7F40QP	PC BOARD A	1	QPQ
	E3	A603L7F40JP	PC BOARD A	1	JPG
	E3	A603L7F40KP	PC BOARD A	1	KPQ
	E3	A603L7F40YP	PC BOARD A	1	YPQ
	E3	A603L7F40MP	PC BOARD A	1	MPQ
	E3	A603L7F40YT	PC BOARD A	1	YTE
	E4	A66167F40QP	FLAT CABLE	1	
	E5	XTW3+12QJ	SCREW	9	3x12
	E6	A80207F40QP	TIMER KNOB	1	
	E7	A80247F40HQP	OPERATION BUTTON	1	NN-CD987W
	E8	A80347F70HQP	ESCUTCHEON BASE	1	NN-CD987W
	E9	ANE80378A0AG	SPRING	2	
	E10	A80724X70HQP	DOOR OPENIG BUTTON	1	NN-CD987W
	E11	A81277F70QP	BACK PANEL	1	NN-CD987W
	E12	A82567F40QP	DOOR OPENING LEVER	1	
	E13	A82877F40QP	SPACER A	2	
	E14	A83377F70HKT	ESCUTCHEON SHEET	1	NN-CD987W PTE/KTE/STM
	E14	A83377F70HQP	ESCUTCHEON SHEET	1	NN-CD987W QPE/JPG
	E15	A82516E00AP	LED CAP	1	NN-CD997S
	E16	A80167F40QP	ESCUTCHEON B	1	NN-CD997S
	E17	A80566E00AP	TRIM	1	NN-CD997S
	E18	A80247F40QP	OPERATION BUTTON	1	NN-CD997S QPQ/JPG/PTE/KTE/STM/KPQ
	E18	A80247F40HP	OPERATION BUTTON	1	NN-CD997S YPQ/MPQ/YTE/HPE
	E18	A80247F40ZP	OPERATION BUTTON	1	NN-CD997S ZPE
	E19	A80357F40QP	ESCUTCHEON PANEL	1	NN-CD997S QPQ/JPG
	E19	A80357F40MP	ESCUTCHEON PANEL	1	NN-CD997S YPQ/HPE/MPQ/YTE
	E19	A80357F40PT	ESCUTCHEON PANEL	1	NN-CD997S PTE/KTE/KPQ/STM
	E19	A80357F40ZP	ESCUTCHEON PANEL	1	NN-CD997S ZPE
	E20	A80097F40QP	INDICATOR A	2	NN-CD997S
	E21	A80347F40QP	ESCUTCHEON BASE	1	NN-CD997S
	E22	XTW3+8BJ	SCREW	4	3X8
	E23	A80726E00AP	DOOR OPENIG BUTTON	1	NN-CD997S
	E24	A81277F40QP	BACK PANEL	1	

NOTE 2 : Please order NUMBER LABEL together.