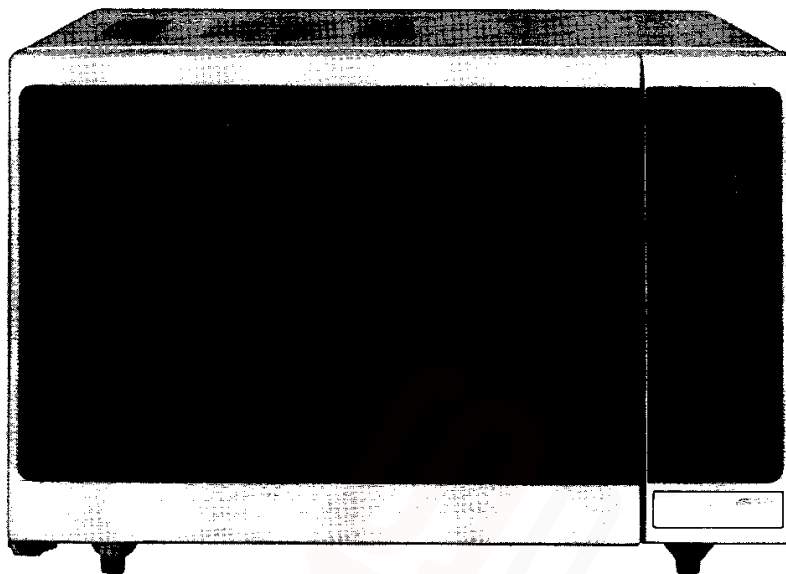


Service Manual

Microwave Oven

MODEL	QPQ	JPQ
	AUSTRALIA	NEW ZEALAND
NN-D851	○	○

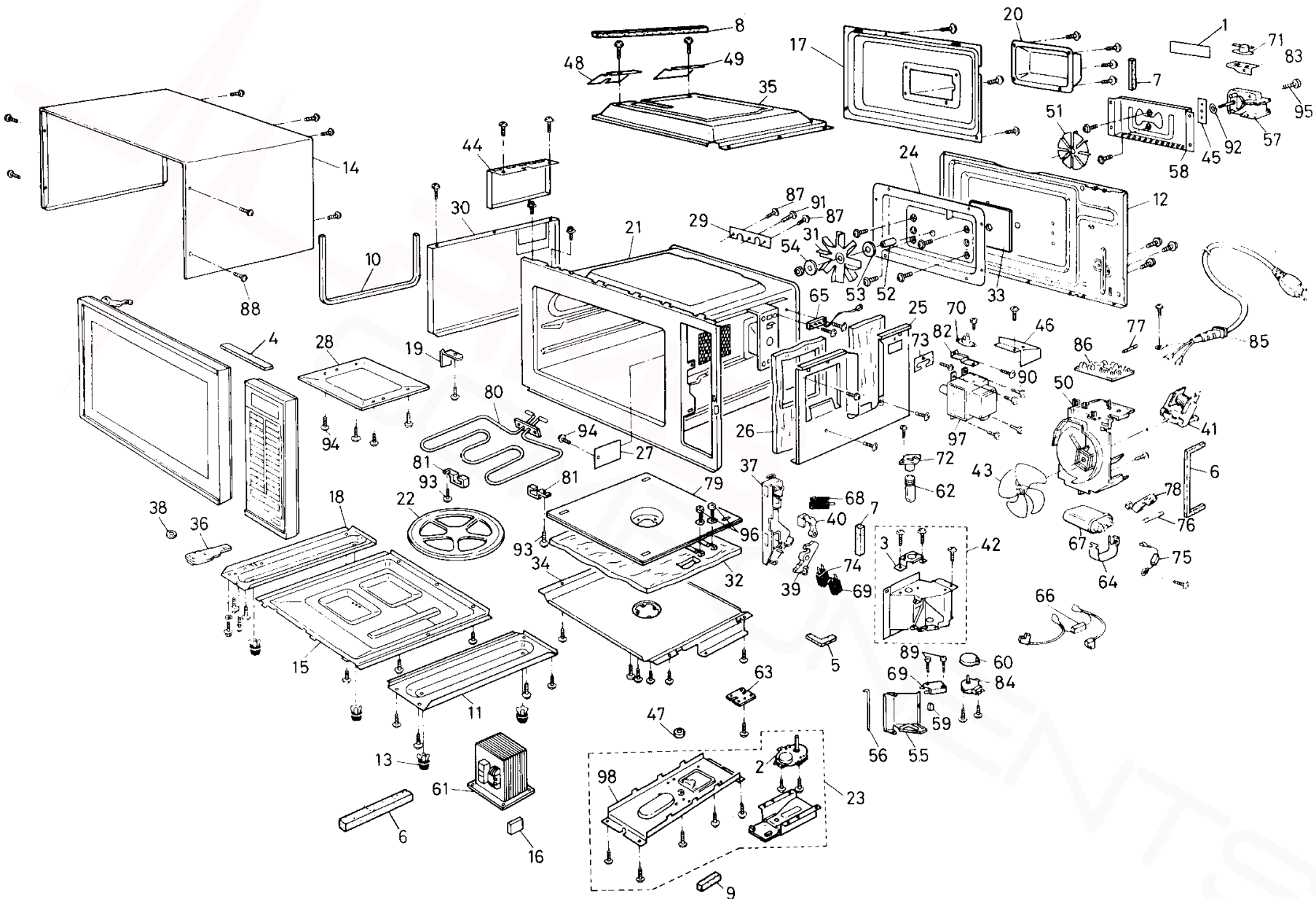


Specifications

Power Source :	240 V AC Single Phase 50 Hz.....For QPQ Model 230 V AC Single Phase 50 Hz.....For JPQ Model
Power Requirement :	1,760 W.....Maximum (QPQ) 1,940 W.....Maximum (JPQ) 1,480 W.....Microwave
Output :	800 W.....Full Microwave Power (IEC-705) 1,700 W.....Heater (QPQ) 1,880 W.....Heater (JPQ)
Microwave Frequency :	2,450 MHz
Timer :	99 Min. 99 Sec./9 Hr. 99 Min.
Outside Dimensions :	558 mm (W) × 520 mm (D) × 389 mm (H)
Oven Cavity Dimensions :	367 mm (W) × 387 mm (D) × 254 mm (H)
Weight :	Approx. 34.5 kg
Specifications subject to change without notice.	

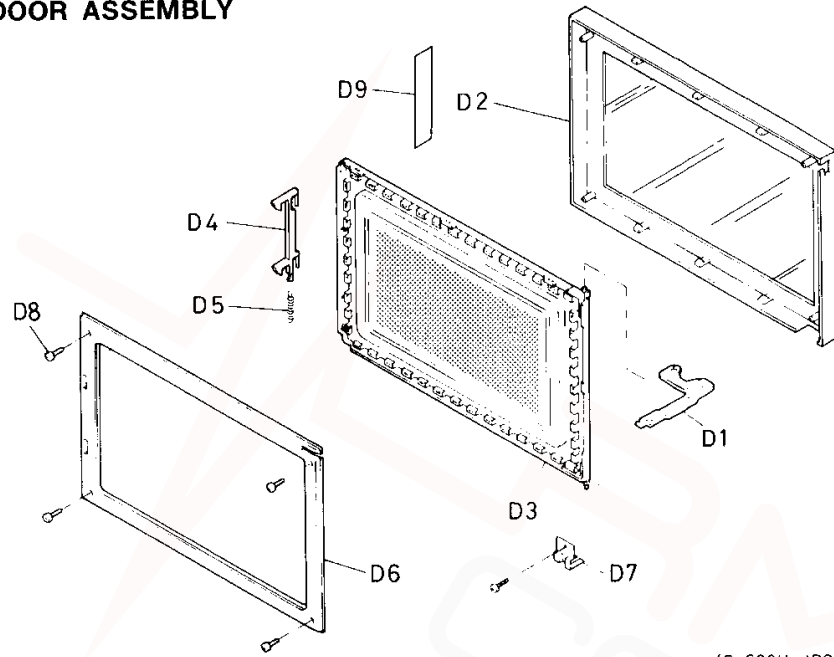
Panasonic

EXPLODED VIEW



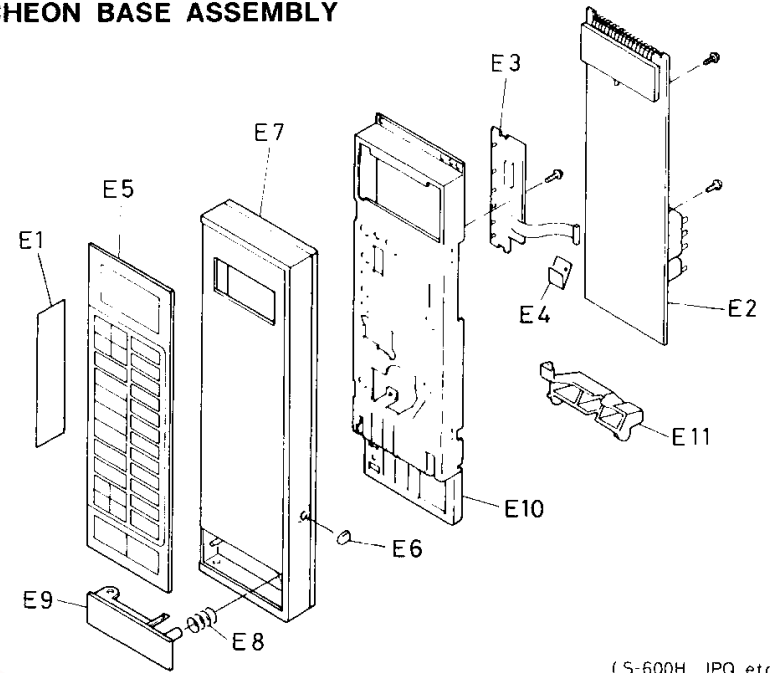
EXPLODED VIEW AND PARTS LIST

DOOR ASSEMBLY



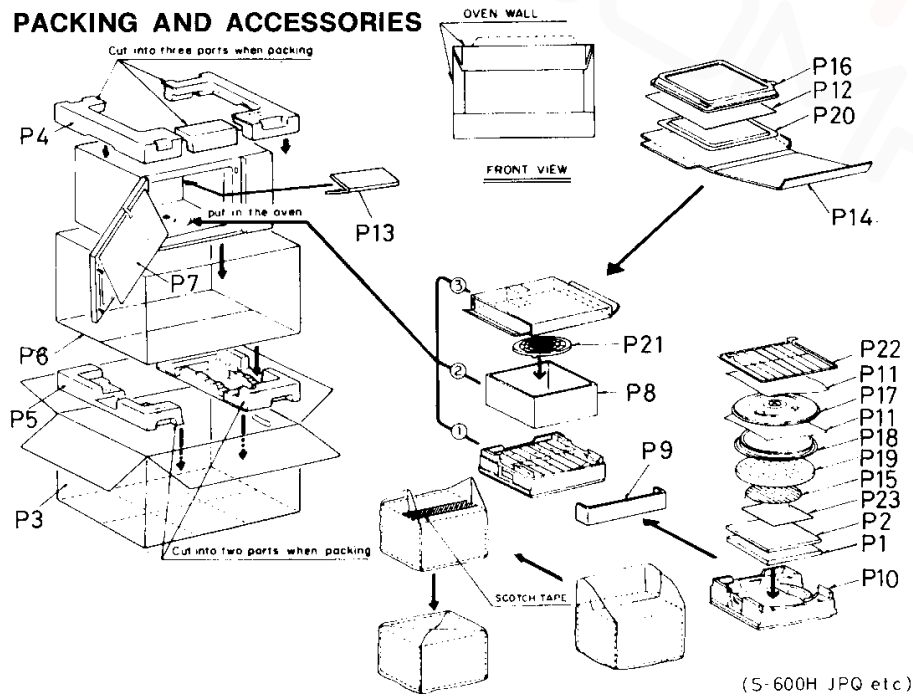
(S-600H JPQ etc)

ESCUTCHEON BASE ASSEMBLY



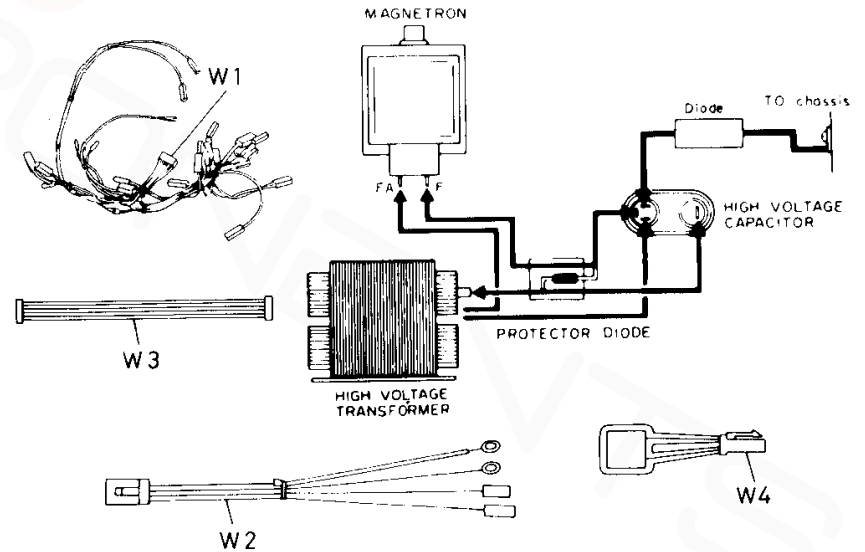
(S-600H JPQ etc)

PACKING AND ACCESSORIES



(S-600H JPQ etc)

WIRING MATERIAL



(S-600H JPQ etc)

PARTS LIST

NOTE 1: When ordering replacement part(s), please use part number(s) shown in this parts list.

Do not use description of the part.

2: Important safety notice:

Components identified by \triangle mark have special characteristics important for safety.

When replacing any of these components, use only manufacturer's specified parts.

Ref. No.	Part No.	Part Name & Description	Pcs/Set	Remarks	Ref. No.	Part No.	Part Name & Description	Pcs/Set	Remarks
1	A00065460JP	CAUTION LABEL	1		61	\triangle A600B6000BP	H.V.TRANSFORMER	1	NN-D851 QPQ (1.5KVA)
2	A63266000BP	TURNTABLE MOTOR	1		62	A60304080BP	INCANDESCENT LAMP	1	20W/240V
3	A66036000BP	OVEN LAMP BRACKET	1		63	A60325020AP	TERMINAL PLATE	1	
4	ANE0921000BK	CUSHION RUBBER C	1		64	A60374760GP	CAPACITOR BRACKET	1	
5	ANE0921000CG	CUSHION RUBBER C	1		65	A605Y4210AP	OVEN TEMP SENSOR	1	
6	ANE000Z000AA	CUSHION RUBBER C	2		66	A606V5110BP	PROTECTOR DIODE	1	
7	ANE0924000AG	CUSHION RUBBER C	2		67	\triangle A60904080GP	H.V.CAPACITOR	1	(1.14 μ F, AC2100V)
8	ANE0924000AT	CUSHION RUBBER C	1		68	\triangle ANE61424LOAG	MICROSWITCH	1	(V-19G-3C2E) PRIMARY LATCH SWITCH
9	ANE0925000BF	CUSHION RUBBER C	1		69	\triangle A61425180AP	MICROSWITCH	2	(L-3C2-2) SECONDARY LATCH SWITCH/SHUTTER SWITCH
10	ANE0925000BZ	CUSHION RUBBER C	1		70	A61455850GP	THERMAL CUTOUT	1	
11	A10015020AP	BASE	1		71	A61456000BP	THERMAL CUTOUT	1	
12	A10046000BP	BACK PANEL	1		72	A61525870GP	SOCKET	1	
13	ANE1008-5S0	RUBBER FOOT	4		73	A61566000BP	INSULATION PANEL	1	
14	A10096000HBP	CABINET BODY (U)	1		74	\triangle A61785180AP	MICRO SWITCH	1	(L-2C2-2) SHORT SWITCH
15	A10266000BP	BASE C	1		75	\triangle A62024000AP	DIODE(S)	1	
16	A10496000BP	CUSHION RUBBER	1		76	\triangle ANE6230Z70BP	FUSE	1	(8A)
17	A10586000BP	BACK PANEL COVER A	1		77	\triangle A62304210BP	FUSE	1	(10A)
18	A11295020AP	BASE B	1		78	A62314000AP	FUSE HOLDER	1	
19	A11486000BP	BRACKET	1		79	A630G6000GP	HEATER	1	NN-D851 JPQ
20	A11836000BP	BACK PANEL B	1		79	A630G6000BP	HEATER	1	NN-D851 QPQ
21	\triangle A200A6000BP	OVEN	1		80	A630H6000GP	HEATER B	1	NN-D851 JPQ
22	A201F6000BP	TURNTABLE	1		80	A630H6000BP	HEATER B	1	NN-D851 QPQ
23	A203K6000BP	WEIGHT SENSOR	1		81	ANE6418Z70BP	HEATER SUPPORT B	2	
24	A203M6000BP	HEATER PANEL	1		82	A64306000BP	THERMAL CUTOOUT MOUNT	1	
25	A22366000BP	RIGHT HEATER PANEL	1		83	A66266000BP	THERMAL CUTOOUT MOUNT	1	
26	A22586000BP	ADIABATIC MATERIAL C	1		84	A68076000BP	SHUTTER MOTOR	1	
27	A20556000BP	COVER	1		85	A900C5110JP	AC CORD W/PLUG	1	(125V)
28	A21446000BP	UPPER PANEL	1		86	A692Y6000JP	NOISE FILTER (U)	1	NN-D851 JPQ
29	A22266000BP	HEATER COVER	1		86	A692Y6000QP	NOISE FILTER (U)	1	NN-D851 QPQ
30	A22376000BP	LEFT HEATER PANEL	1		87	XSB4+10FNSE	SCREW	2	4X10 FOR HEATER COVER
31	A2239-1550	CIRCULATION FAN	1		88	XTC4+10BC	SCREW	4	4X10 FOR CABINET BODY
32	A22426000BP	ADIABATIC MATERIAL A	1		89	XTN3+16B	SCREW	2	3X16 FOR SWITCH
33	A22596000BP	ADIABATIC MATERIAL D	1		90	XTWANE4+10RU	SCREW	4	4X10 FOR MAGNETRON
34	A22776000BP	LOWER HEATER PANEL	1		91	XTY4+E10FN	SCREW	1	4X10 FOR HEATER COVER
35	A22786000BP	UPPER HEATER PANEL	1		92	XUEANE32KP	RING	1	
36	A301L4210AP	LOWER HINGE	1		93	XYC4+F16XN	SCREW	2	4X16 FOR HEATER SUPPORT
37	\triangle A30204310AG	DOOR HOOK	1		94	XYD4+BC12XRK	SCREW	5	4X12 FOR UPPER PANEL COVER
38	ANE3081B60AP	SPACER	1		95	XYN3+C25V	SCREW	1	3X25 FOR HEATER FAN MOTOR
39	A31374650AP	HOOK SPACER B	1		96	XYN5+C10FN	SCREW	2	5X10 FOR HEATER
40	A31384650AP	HOOK SPACER C	1		97	\triangle 2M210-M1C2PL	MAGNETRON	1	
41	A400A5110QP	FAN MOTOR	1	(AC,26W,SINGLE)	98	A63236000BP	BRACKET	1	
42	A400E6000BP	AIR GUIDE A	1		DOOR ASSEMBLY				
43	ANE40086W0AP	FAN	1		D1	\triangle A300B6000BP	UPPER HINGE	1	
44	A40246000BP	EXHAUST GUIDE A	1		D2	\triangle A302A6000HGP	DOOR A (U)	1	
45	A40306000BP	AIR GUIDE D	1		D3	\triangle A302K6000BP	DOOR E (U)	1	
46	A40316000BP	AIR GUIDE C	1		D4	A30184650AP	DOOR KEY	1	
47	A4071-1580	WASHER	1		D5	A30214000AP	DOOR KEY SPRING	1	
48	A41076000BP	EXHAUST GUIDE B	1		D6	\triangle A30855040HAP	DOOR C	1	
49	A41196000BP	EXHAUST GUIDE D	1		D7	A32186000BP	SPACER	1	
50	A41445540AP	ORIFICE	1		D8	XTBANE4+12FC	SCREW	4	4X12
51	A4159-1560	FAN	1		D9	ANE0172L60JN	CAUTION LABEL	1	NN-D851 JPQ
52	A41616000BP	SPACER A	1		ESCUTCHEON BASE ASSEMBLY				
53	ANE4163-E00	SPACER C	1		E1	A01576000HJP	NAME PLATE	1	NN-D851 JPQ
54	A41636000BP	SPACER C	1		E1	A01576000HQP	NAME PLATE	1	NN-D851 QPQ
55	A41736000BP	SHUTTER	1						
56	A41746000BP	SHAFT	1						
57	A41796000BP	HEATER FAN MOTOR	1						
58	A41806000BP	FAN MOTOR BRACKET	1						
59	A41834210AP	RUBBER CUSHION	1						
60	A48236000BP	CAM A	1						
61	\triangle A600B6000GP	H.V.TRANSFORMER	1	NN-D851 JPQ (1.5KVA)					

Ref. No.	Part No.	Part Name & Description	Pcs/Set	Remarks
E2	A603L6000QP	D.P.CIRCUIT (U)	1	RTL (W/COMPONENT)
E3	A605Q6000BP	PC BOARD F (U)	1	
E4	A60706000BP	INSULATION SHEET	1	
E5	A64796000HQP	MEMBRANE SWITCH	1	
E6	A80296000HBP	BANG	1	
E7	A80346000HBP	ESCUTCHEON BASE	1	NOTE 4
E8	ANE80378A0AG	COOK BUTTON SPRING	1	
E9	A80726000HBP	DOOR OPENING BUTTON	1	
E10	A81276000BP	BACK PANEL	1	
E11	A82565110BP	DOOR OPENING LEVER	1	

PACKING AND ACCESSORIES

P1	A000B6000QP	COOK BOOK	1	NN-D851 JPQ NN-D851 QPQ
P2	A00036000QP	INSTRUCTION BOOK	1	
P3	A01026000HJP	PACKING CASE PAPER	1	
P3	A01026000HQP	PACKING CASE PAPER	1	
P4	A01046000BP	UPPER FILLER	1	
P5	A01056000BP	LOWER FILLER	1	NN-D851 QPQ
P6	A01066000BP	VINYL COVER	1	
P7	ANE0107580AP	DOOR SHEET	1	
P8	A01086000BP	TRAY PACKING	1	
P9	A01106000BP	RACK PACKING	1	
P10	A01136000BP	TRAY STYROL	1	
P11	ANE0207-860	STYROL SHEET	2	
P12	ANE02072L0AP	STYROL SHEET	1	
P13	A02196000BP	PACKING	1	
P14	A03386000BP	TRAY PACKING	1	
P15	A060V5870SP	HIGH BAKING RACK	1	
P16	A060W6000BP	BROIL PAN	1	NN-D851 QPQ
P17	A06014000AP	GLASS COOKING TRAY	1	
P18	A06015020AP	METAL TRAY	1	
P19	A06485020AP	SPATTER SHIELD	1	
P20	A06485080BP	SPATTER SHIELD	1	
P21	A07066000BP	RACK	1	
P22	A07216000BP	WARMING RACK	1	
P23	A00955500QP	CAUTION LABEL B	1	

WIRING MATERIAL

W1	A030A6000QP	LEAD WIRE HARNESS	1	
W2	A03606000BP	LEAD WIRE	1	
W3	A03616000BP	LEAD WIRE	1	
W4	A604Q6000BP	NOISE KILLER	1	

REF NO.86 NOISE FILTER (U)

C1	ECQU2A104MN	POLYESTER CAPACITOR	1	NN-D851 JPQ 0.1 μ F, 250V, ±20%	
C2,3	ECKDNS472MEX	CERAMIC CAPACITOR	2		NN-D851 JPQ 0.0047 μ F, 250V, ±20%
F1	A62316010BP	FUSE HOLDER	2		
L1	A621A6000BP	FILTER COIL	1		NN-D851 JPQ
R2	ERD25FJ564S	CARBON FILM RESISTOR	1		NN-D851 JPQ 560KΩ, 1/4W, ±5%
ZNR1	ERZC10DK621F	VARIATOR	1		
ZNR2,3	ERZC10DK112A	VARIATOR	2		

REF. NO. E3 P.C. BOARD (U)

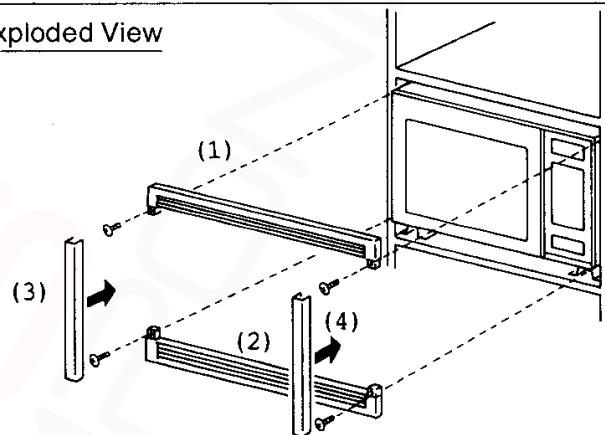
D401	AELN4914D	LED	1	
D402	AELN4414G	LED	1	

Ref. No.	Part No.	Part Name & Description	Pcs/Set	Remarks	
D403, 404, 405, 406	AELN4214R	LED	4	150Ω, 1/4W, ±5%	
IC401	AEICUPA2004C	LSI	1		
R401, 402	ERDS2TJ151T	CARBON FILM RESISTOR	2		
R403, 404, 405, 406	ERDS2TJ391T	CARBON FILM RESISTOR	4		390Ω, 1/4W, ±5%

NOTE 4: Please order name plate together.

PARTS LIST FOR MICROWAVE OVEN TRIM KITS

Exploded View



Trim kit Model No.	Top and Bottom Strip Ref No.:1,2	Pcs/Set	Side Strip Ref No.:3,4	Pcs/Set	Microwave Oven Model No.
NN-TKD51	ANE16031C4BP	2	ANE1601A231HBP	2	

NOTE: The top and bottom strips have the same part number and the left and right side strips also have the same part number. These parts will be supplied on one piece per one part number.