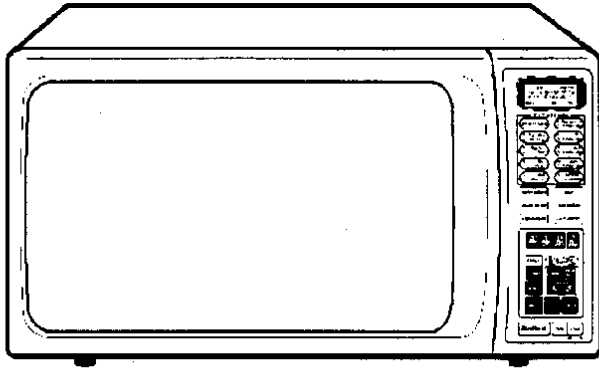


Service Manual

Microwave Oven

NN-C988W



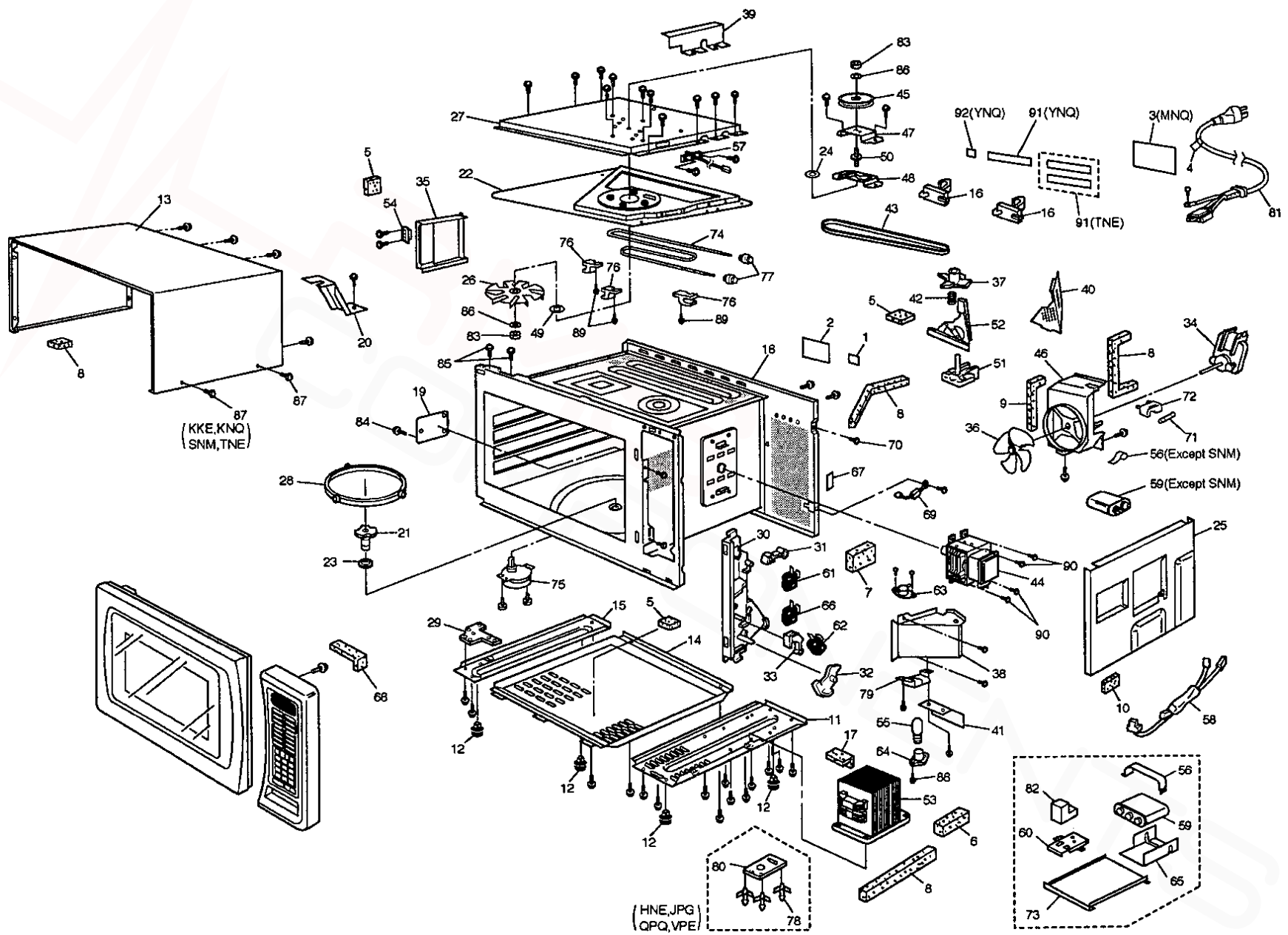
Specifications

Power Source:		240 V AC Single Phase, 50 Hz For QPQ, KNQ, MNQ, YNQ models 230 V AC Single Phase, 50 Hz For JPG model 220 V AC Single Phase, 50 Hz For VPE, HNE, TNE, KKE models 220-230 V AC Single Phase, 60 Hz For LNK model 220 V AC Single Phase, 50/60 Hz For SNM model
Power Requirement:	Microwave	1,580 W
	Heater	1,800 W
Output:	Microwave	900 W: Full Power (IEC 705-88)
	Heater	1,760 W
Microwave Frequency:		2,450 MHz
Timer:		99 min. 99 sec. / 9 hr. 99 min.
Outside Dimensions:		14-13/16" (H) X 23-7/8" (W) X 19-5/16" (D) 376 mm (H) X 606 mm (W) X 491 mm (D)
Oven Cavity Dimensions:		9-1/2" (H) X 16-1/4" (W) X 16-13/16" (D) 242 mm (H) X 412 mm (W) X 426 mm (D)
Weight:		Approx. 26 kg
Specifications subject to change without notice.		

National/Panasonic

© 1998 Matsushita Electric Industrial Co., Ltd. All rights reserved. Unauthorized copying and distribution is a violation of law.

16 EXPLODED VIEW AND PARTS LIST



17 PARTS LIST

When ordering replacement part(s), please use part number(s) shown in this parts list.

Do not use description of the part.

Important safety notice:

Components identified by Δ mark have special characteristics important for safety.

When replacing any of these components, use only manufacturer's specified parts.

Alphabet marks in Remarks columns (i.e. HNE etc.) indicate parts applicable to only specified country models as follows.

HNE: For Hong Kong, JPG: For New Zealand, KKE: For U.A.E., Egypt, Iran,

KNQ: For Kuwait, Doha, Qatar, Oman, Baharain, Pakistan, LNK: For Philippines,

MNQ: For Malaysia, QPQ: For Australia, SNM; For Saudi Arabia,

TNE: For Thailand, Indonesia, VPE: For South Africa, YNQ: For Singapore

Parts without these marks can be used for all models.

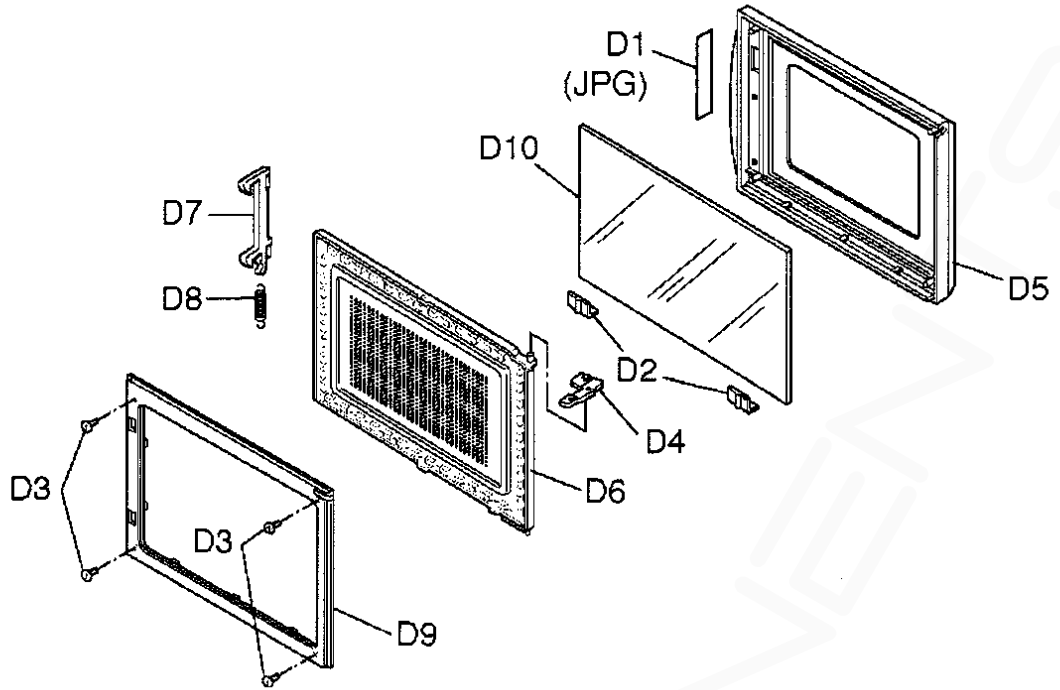
Ref. No.	Part No.	Part Name & Description	Pcs/Set	Remarks
1	ANE00057J0XN	EARTH LABEL	1	NN-C988W TNE
2	A00065460JP	CAUTION LABEL	1	
3	A00065540MN	CAUTION LABEL	1	NN-C988W YNQ
4	ANE0239L00XN	CORD LABEL	1	NN-C988W KKE/KNQ/SNM/VPE
5	ANE0002000AD	CUSHION RUBBER A	3	
6	ANE0914000CE	CUSHION RUBBER B	1	NN-C988W HNE/JPG/KKE/KNQ/MNQ/QPQ/TNE/VPE/YNQ
7	ANE092B000AH	CUSHION RUBBER C	1	
8	ANE0002000AA	CUSHION RUBBER C	3	NN-C988W HNE
8	ANE0002000AA	CUSHION RUBBER C	2	NN-C988W JPG/KKE/KNQ/TNE/VPE
8	ANE0002000AA	CUSHION RUBBER C	4	NN-C988W SNM
9	ANE0002000AB	CUSHION RUBBER C	1	
10	ANE0962000AD	CUSHION RUBBER D	1	
11	A10015450AP	BASE	1	
12	ANE1008-3W0	RUBBER FOOT	4	
13	A10096660HQP	CABINET BODY (U)	1	NN-C988W HNE/JPG/LNK/MNQ/QPQ
13	A10096660HKN	CABINET BODY (U)	1	NN-C988W KKE/KNQ/TNE/VPE
13	A10096660HSN	CABINET BODY (U)	1	NN-C988W SNM
13	A10096660HMK	CABINET BODY (U)	1	NN-C988W YNQ
14	A10266660QP	BASE C	1	
15	A11295450AP	BASE B	1	
16	A11406660HMK	STOPPER	2	NN-C988W YNQ
16	A11406660QP	STOPPER	2	NN-C988W HNE/JPG/LNK/MNQ/QPQ/KKE/KNQ/TNE/VPE/SNM
17	ANE0911000DC	CUSHION RUBBER B	1	NN-C988W JPG/QPQ/VPE
18	A200A6660QP	OVEN (U)	1	(NOTE 1)
Δ				
19	A20555450AP	COVER	1	NN-C988W HNE/JPG/KKE/KNQ/LNK/MNQ/QPQ/SNM/TNE/YNQ
19	A20556660VP	COVER	1	NN-C988W VPE
20	A20766660QP	REINFORCE BRACKET C	1	
21	A21315870GP	PULLEY SHAFT	1	
22	A21446660QP	UPPER PANEL	1	
23	ANE2177-F80	WASHER	1	
24	A21776660QP	WASHER	1	
25	A22365450AP	RIGHT HEATER PANEL	1	
26	ANE22392L0AP	CIRCULATION FAN	1	
27	A22786660QP	UPPER HEATER PANEL	1	
28	A290D5080BP	ROLLER RING (U)	1	
29	A30076660QP	LOWER HINGE	1	
Δ				
30	A3020-1200	DOOR HOOK A	1	
Δ				
31	A3136-1200	HOOK SPACER A	1	
32	A31374650AP	HOOK SPACER B	1	
33	A31384650AP	HOOK SPACER C	1	
34	A400A5500QP	FAN MOTOR	1	NN-C988W HNE/JPG/KKE/KNQ/MNQ/QPQ/SNM/TNE/VPE/YNQ (24.8W)
34	A400A4000LN	FAN MOTOR	1	NN-C988W LNK (26W)
35	A400K5040AQ	EXHAUST GUIDE	1	
36	ANE40086W0AP	FAN	1	
37	A40085020AQ	FAN	1	

Ref. No.	Part No.	Part Name & Description	Pcs/Set	Remarks
38	A40256660QP	AIR GUIDE A	1	
39	A40266660QP	AIR GUIDE B	1	
40	A40306660QP	AIR GUIDE D	1	
41	A40476660QP	AIR GUIDE E	1	NN-C988W HNE/JPG/KKE/KNQ/LNK/MNQ/QPQ/TNE/VPE/YNQ
42	ANE4057-F50	SPRING	1	
43	A40606660QP	BELT A	1	
44	2M210-M1E	MAGNETRON	1	NN-C988W JPG/QPQ/VPE
△	2M210-M1F	MAGNETRON	1	NN-C988W HNE/KKE/KNQ/LNK/MNQ/SNM/SNM/TNE/YNQ
45	A41325020AQ	PULLEY B	1	
46	A41446660QP	ORIFICE	1	NN-C988W HNE/JPG/KKE/KNQ/LNK/MNQ/QPQ/TNE/VPE/YNQ
46	A41446660SN	ORIFICE	1	NN-C988W SNM
47	A41575450AP	FAN BRACKET A	1	
48	A41585450AP	FAN BRACKET B	1	
49	A41635020AQ	FAN SPACER C	1	
50	A40086660QP	SHAFT (U)	1	
51	A41799190QP	HEATER FAN MOTOR	1	NN-C988W HNE/JPG/KKE/KNQ/MNQ/QPQ/TNE/VPE/YNQ
51	A41795080BP	HEATER FAN MOTOR	1	NN-C988W LNK/SNM
52	A41806660QP	HEATER FAN MOTOR BRACKET	1	
53	A620A4760HN	H.V. TRANSFORMER	1	NN-C988W HNE/KKE/TNE/VPE (1.5KVA)
△	A600B6660QP	H.V. TRANSFORMER	1	NN-C988W JPG/KNQ/MNQ/QPQ/YNQ (1.6KVA)
53	A621B4000LN	H.V. TRANSFORMER	1	NN-C988W LNK (1.5KVA)
△	A621B5830SN	H.V. TRANSFORMER	1	NN-C988W SNM (1.6KVA)
54	A601L4780AP	TEMP SENSOR	1	
55	A60304080BP	INCANDESCENT LAMP	1	(20W/240V)
56	A61884060AP	CAPACITOR BRACKET	1	NN-C988W HNE/JPG/KKE/KNQ/LNK/MNQ/QPQ/TNE/VPE/YNQ
56	ANE6037X00FP	CAPACITOR BRACKET	1	NN-C988W SNM
57	A605A9790AP	THERMISTOR	1	
58	A606V4760JP	PROTECTOR DIODE	1	NN-C988W HNE/JPG/KKE/KNQ/MNQ/TNE/VPE/YNQ
58	A606V5110BP	PROTECTOR DIODE	1	NN-C988W LNK
58	A606V6660QP	PROTECTOR DIODE	1	NN-C988W QPQ
58	A606V9770SN	PROTECTOR DIODE	1	NN-C988W SNM
59	A60905850GP	H.V. CAPACITOR	1	NN-C988W HNE/JPG/KKE/KNQ/MNQ/QPQ/TNE/VPE/YNQ (1.14MF/AC2100V)
△	A60904140GP	H.V. CAPACITOR	1	NN-C988W LNK (0.8MF/AC2000V)
59	A60904650PP	H.V. CAPACITOR	1	NN-C988W SNM (1.1MF/AC2100V)
△	A61156660SN	POWER RELAY BRACKET	1	NN-C988W SNM
61	ANE6142-F60	MICROSWITCH	1	(V-15G-3C26-1) PRIMARY LATCH SWITCH
△	A61425180AP	MICROSWITCH	1	(L-3C2-2) SECONDARY LATCH SWITCH
63	A61455850GP	THERMAL CUTOUT	1	
△	A61524650AP	SOCKET	1	
65	A60709770SN	INSULATION SHEET A	1	NN-C988W SNM
66	A61785180AP	MICRO SWITCH	1	(L-2C2-2) SHORT SWITCH
△	ANE0033730GN	FUSE LABEL	1	
68	ANE0921000BK	CUSHION RUBBER C	1	
69	A62024000AP	DIODE SI	1	
△	XYD4+EE12F	SCREW	1	(4X12) FOR EARTH
71	A62304210BP	FUSE	1	(10A)
△	A62314000AP	FUSE HOLDER	1	
73	A62485040PP	CAPACITOR BRACKET B	1	NN-C988W SNM
74	A630G6660HN	HEATER A	1	NN-C988W HNE/KKE/LNK/SNM/TNE/VPE
74	A630G6660JP	HEATER A	1	NN-C988W JPG
74	A630G6660QP	HEATER A	1	NN-C988W KNQ/MNQ/QPQ/YNQ
75	A63266660HN	TURNTABLE MOTOR	1	NN-C988W HNE/KKE/LNK/SNM/TNE/VPE (3.3W)
75	A63265850QP	TURNTABLE MOTOR	1	NN-C988W JPG/KNQ/MNQ/QPQ/YNQ (2.5W)
76	A64175130AP	HEATER SUPPORT	3	
77	ANE6501K90AP	HEATER HOLDER	2	
78	A65325460JP	HOLDER	3	NN-C988W HNE/JPG/QPQ/VPE
79	A66036000BP	OVEN LAMP BRACKET	1	
80	A692Y6660JP	NOISE FILTER (U)	1	NN-C988W HNE/JPG/QPQ/VPE
81	A900C6660HN	AC CORD W/PLUG	1	NN-C988W HNE (220V)
△				

Ref. No.	Part No.	Part Name & Description	Pcs/Set	Remarks
81 △	A900C6660JP	AC CORD W/PLUG	1	NN-C988W JPG/QPQ (230-240V)
81 △	A900C5450MK	AC CORD W/PLUG	1	NN-C988W KKE/KNQ/MNQ/SNM/YNQ (220-240V)
81 △	A900C6240CP	AC CORD W/PLUG	1	NN-C988W LNK (230-240V)
81 △	A900C5450TN	AC CORD W/PLUG	1	NN-C988W TNE (220V)
81 △	A900C5450VN	AC CORD W/PLUG	1	NN-C988W VPE (220V)
82 △	AEBGG7HN1A18	POWER RELAY	1	NN-C988W SNM (G7HN-1A-MR18)
83	XNG4EVS	NUT	2	
84	XST4+5VS	SCREW	1	(4X5) FOR COVER
85	XSWANE5+10U	SCREW	2	(5X10) FOR HINGE
86	XWS4VL	WASHER	2	
87	XTT4+8BN	SCREW	1	NN-C988W HNE/JPG/LNK/MNQ/QPQ/VPE/YNQ (4X8) FOR CABINET BODY
87	XTT4+8BN	SCREW	2	NN-C988W KKE/KNQ/SNM/TNE CABINET BODY
88	XTWANE3+10S4	SCREW	1	(3X10) FOR SOCKET
89	XTWANE35+14N	SCREW	3	(3.5X14) FOR HEATER SUPPORT
90	XTWANE4+10RU	SCREW	4	(4X10) FOR MAGNETRON
91	A01579770HTN	NAME LABEL	1	NN-C988W TNE (THAI)
91	A01579770HYN	NAME LABEL	1	NN-C988W YNQ
92	A02840000MK	NUMBER LABEL	1	NN-C988W YNQ

NOTE 1:Please order name label together.(TNEYNQ models only)

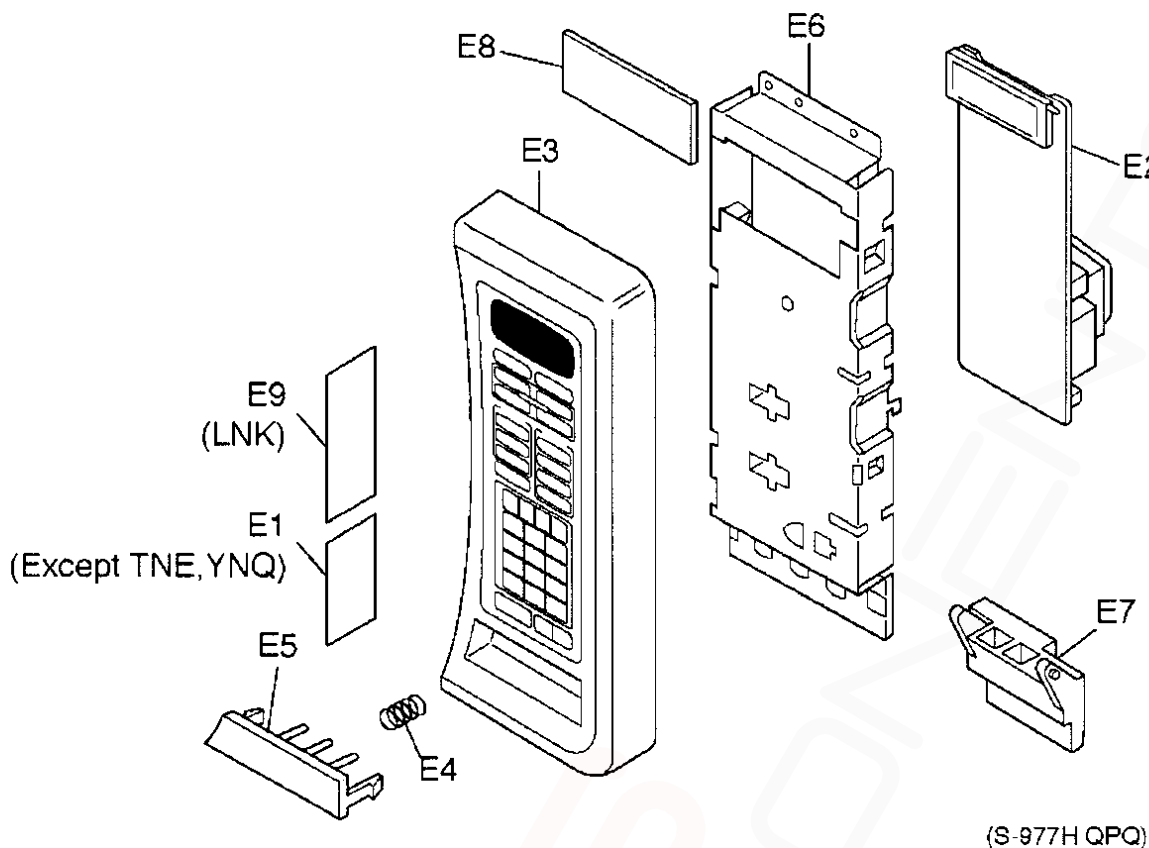
18 DOOR ASSEMBLY



(S-977H QPQ)

Ref. No.	Part No.	Part Name & Description	Pcs/Set	Remarks
D1	A01726210JP	CAUTION LABEL	1	NN-C988W JPG
D2	A32779190AP	DOOR SCREEN BRACKET	2	
D3	XTRANE4+12FK	SCREW	4	(4X12)
D4	A300B5450AP	UPPER HINGE	1	
D5	A30019770HAP	DOOR A	1	
D6	A302K6660QP	DOOR E (U)	1	
D7	A30186660QP	DOOR KEY A	1	
D8	A30214000AP	DOOR KEY SPRING	1	
D9	A30856660QP	DOOR C	1	
D10	A31469770HMN	DOOR SCREEN B	1	NN-C988W HNE/KKE/KNQ/LNK/MNQ/SNM/TNE/YNQ
D10	A31469770HQP	DOOR SCREEN B	1	NN-C988W JPG/QPQ/VPE

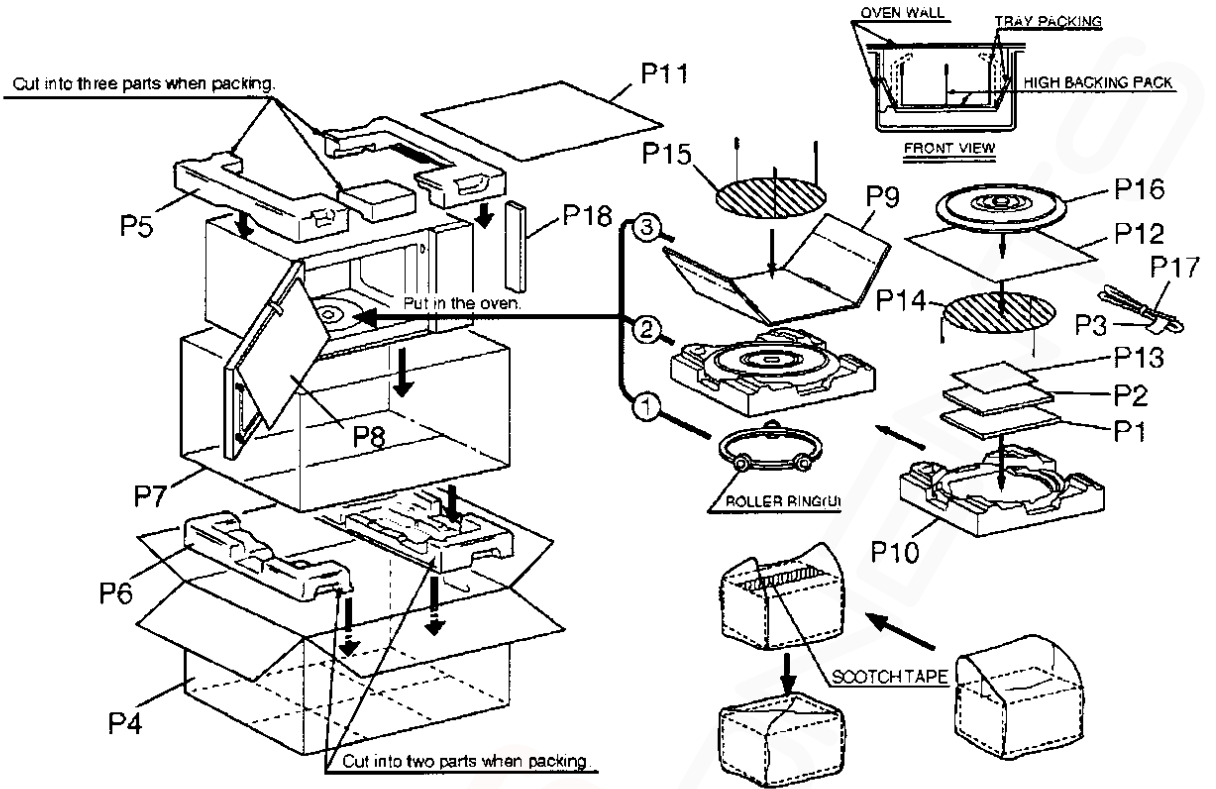
19 ESCUTCHEON BASE ASSEMBLY



Ref. No.	Part No.	Part Name & Description	Pcs/Set	Remarks
E1	A01579770HKN	NAME LABEL	1	NN-C988W HNE
E1	A01579770HJP	NAME LABEL	1	NN-C988W JPG
E1	A01579770HKK	NAME LABEL	1	NN-C988W KKE
E1	A01579770HKN	NAME LABEL	1	NN-C988W KNQ
E1	A01579770HLN	NAME LABEL	1	NN-C988W LNK
E1	A01579770HMN	NAME LABEL	1	NN-C988W MNQ
E1	A01579770HQP	NAME LABEL	1	NN-C988W QPQ
E1	A01579770HSN	NAME LABEL	1	NN-C988W SNM
E1	A01579770HVP	NAME LABEL	1	NN-C988W VPE
E2	A603L9770HN	D. P. CIRCUIT (U)	1	NN-C988W HNE RTL (W/COMPONENT)
E2	A603L9770JP	D. P. CIRCUIT (U)	1	NN-C988W JPG (W/COMPONENT)
E2	A603L9770KK	D. P. CIRCUIT (U)	1	NN-C988W KKE RTL (W/COMPONENT)
E2	A603L9770KN	D. P. CIRCUIT (U)	1	NN-C988W KNQ RTL (W/COMPONENT)
E2	A603L9770LN	D. P. CIRCUIT (U)	1	NN-C988W LNK RTL (W/COMPONENT)
E2	A603L9770MN	D. P. CIRCUIT (U)	1	NN-C988W MNQ RTL (W/COMPONENT)
E2	A603L9770QP	D. P. CIRCUIT (U)	1	NN-C988W QPQ RTL (W/COMPONENT)
E2	A603L9770SN	D. P. CIRCUIT (U)	1	NN-C988W SNM RTL (W/COMPONENT)
E2	A603L9770TN	D. P. CIRCUIT (U)	1	NN-C988W TNE RTL (W/COMPONENT)
E2	A603L9770VP	D. P. CIRCUIT (U)	1	NN-C988W VPE RTL (W/COMPONENT)
E2	A603L9770YN	D. P. CIRCUIT (U)	1	NN-C988W YNQ RTL (W/COMPONENT)
E3	A800A9770HMN	ESCUTCHEON ASSEMBLY	1	NN-C988W HNE/LNK/MNQ/TNE/YNQ
E3	A800A9770HQP	ESCUTCHEON ASSEMBLY	1	NN-C988W JPG/QPQ/VPE
E3	A800A9770HKN	ESCUTCHEON ASSEMBLY	1	NN-C988W KKE/KNQ/SNM
E4	ANE80378A0AG	COOK BUTTON SPRING	1	
E5	A80729770HAP	DOOR OPENING BUTTON	1	
E6	A81279770AP	BACK PANEL	1	
E7	A82569770AP	DOOR OPENING LEVER	1	
E8	A80025540AP	ESCUTCHEON B	1	
E9	ANE0245X00AP	DHHS LABEL	1	NN-C988W LNK

NOTE 2: Please order name label together. (Except TNE/YNQ models)

20 PACKING AND ACCESSORIES



(S-977H QPQ)

Ref. No.	Part No.	Part Name & Description	Pcs/Set	Remarks
P1	A000B9770MN	COOK BOOK	1	NN-C988W HNE/LNK/MNQ/TNE/YNQ
P1	A000B5820KN	COOK BOOK	1	NN-C988W KKE/KNQ/SNM
P2	A00039770HN	INSTRUCTION BOOK	1	NN-C988W HNE/LNK/MNQ/TNE/YNQ
P2	A00039770QP	INSTRUCTION BOOK	1	NN-C988W JPG/QPQ/VPE
P2	A00039770KN	INSTRUCTION BOOK	1	NN-C988W KKE/KNQ/SNM
P3	A00324040XN	EARTH CAUTION LABEL	1	NN-C988W TNE
P4	A01029770HHN	PACKING CASE PAPER	1	NN-C988W HNE
P4	A01029770HJP	PACKING CASE PAPER	1	NN-C988W JPG
P4	A01029770HKK	PACKING CASE PAPER	1	NN-C988W KKE
P4	A01029770HKN	PACKING CASE PAPER	1	NN-C988W KNQ
P4	A01029770HLN	PACKING CASE PAPER	1	NN-C988W LNK
P4	A01029770HMN	PACKING CASE PAPER	1	NN-C988W MNQ
P4	A01029770HQP	PACKING CASE PAPER	1	NN-C988W QPQ
P4	A01029770HSN	PACKING CASE PAPER	1	NN-C988W SNM
P4	A01029770HTN	PACKING CASE PAPER	1	NN-C988W TNE
P4	A01029770HVP	PACKING CASE PAPER	1	NN-C988W VPE
P4	A01029770HYN	PACKING CASE PAPER	1	NN-C988W YNQ
P5	A01046660MN	UPPER FILLER	1	NN-C988W HNE/LNK/MNQ/TNE/YNQ
P5	A01046660QP	UPPER FILLER	1	NN-C988W JPG/QPQ/VPE
P5	A01046660KN	UPPER FILLER	1	NN-C988W KKE/KNQ/SNM
P6	A01056660MN	LOWER FILLER	1	NN-C988W HNE/LNK/MNQ/TNE/YNQ
P6	A01056660QP	LOWER FILLER	1	NN-C988W JPG/QPQ/VPE
P6	A01056660KN	LOWER FILLER	1	NN-C988W KKE/KNQ/SNM
P7	A01065130AP	VINYL COVER	1	
P8	ANE0107580AP	DOOR SHEET	1	
P9	A01086660QP	TRAY PACKING1		
P10	A01136660QP	TRAY STYROL	1	
P11	A01265820HKN	REINFORCE MATERIAL	1	NN-C988W KKE/KNQ/SNM
P12	ANE02072L0AP	STYROL SHEET	1	
P13	A04459770HMN	MENU LABEL	1	NN-C988W MNQ
P13	A04459770HTN	MENU LABEL	1	NN-C988W TNE
P14	A060V6660JP	HIGH BAKING RACK A	1	50MM (H)
P15	A060V6660QP	HIGH BAKING RACK B	1	135MM (H)
P16	A06016660QP	COOKING TRAY	1	

Ref. No.	Part No.	Part Name & Description	Pcs/Set	Remarks
P17	A91644000X	EARTH LEAD	1	NN-C988W TNE
P18	A01456660KN	DOOR SHEET B	1	NN-C988W HNE/JPG/QPQ
P18	A01459770KN	DOOR SHEET B	1	NN-C988W KKE/KNQ/LNK/MNQ/SNM/TNE/YNQ

ARMOR PROTECTIONS