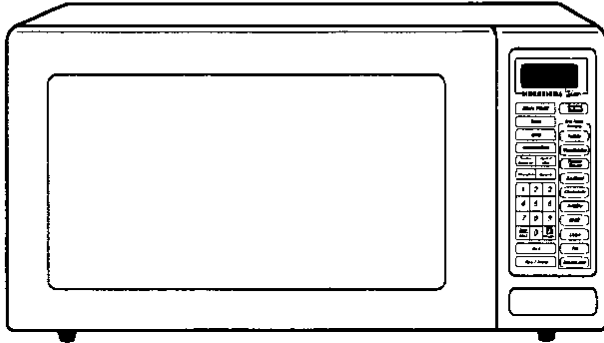


Service Manual

Microwave Oven



NN-C888B
NN-C888W
NN-C888WS

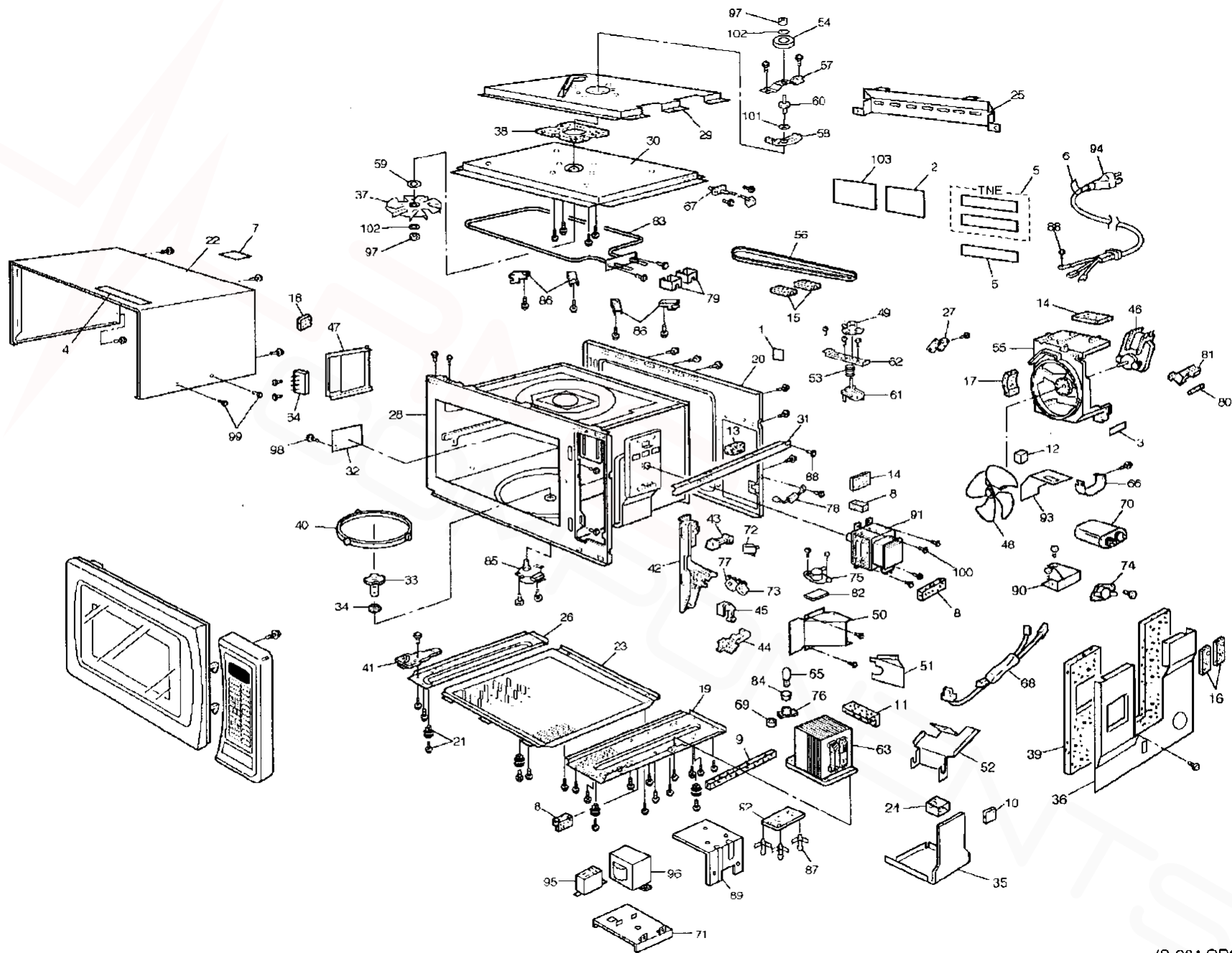
Specifications

		QPQ KNQ MNQ	YNQ	JPG	VPE HNE TNE KKE XNE	WNT
Power Source:	(V)	240V	230-240V	230V	220V	110V
	(Hz)	50 Hz	50 Hz	50 Hz	50 Hz	60 Hz
Power Requirement:	Microwave	1400 W				1410 W
	Heater	1580 W				1240 W
Output:	Microwave IEC-705-88	850 W				800 W
	Heater	1515 W				1180 W
Microwave Frequency:		2,450 MHz				
Timer:		30 MIN (HIGH) / 99 min. 99 sec. / 9 hr. 99 min				
Outside Dimensions:		306 mm (H) X 555 mm (W) X 439 mm (D)				
Oven Cavity Dimensions:		201 mm (H) X 375 mm (W) X 386 mm (D)				
Weight:		Approx. 22.8 kg				
Specifications subject to change without notice.						

National/Panasonic

© 1998 Matsushita Electric Industrial Co., LTD. All rights reserved. Unauthorized copying and distribution is a violation of law.

15 EXPLODED VIEW AND PARTS LIST



(S-981 QPQ)

16 PARTS LIST

When ordering replacement part(s), please use part number(s) shown in this parts list.

Do not use description of the part.

Important safety notice:

Components identified by Δ mark have special characteristics important for safety.

When replacing any of these components, use only manufacturer's specified parts.

Alphabet marks in Remarks columns (i.e. HNE etc.) indicate parts applicable to only specified country models as follows.

HNE: For Hong Kong, JPG: For New Zealand, KKE: For U.A.E., Egypt, Iran,

KNQ: For Kuwait, Doha, Qatar, Oman, Baharain, Pakistan,

MNQ: For Malaysia, QPQ: For Australia,

TNE: For Thailand, Indonesia, VPE: For South Africa, YNQ: For Singapore,

XNE: For China, WNT: For Taiwan

Parts without these marks can be used for all models.

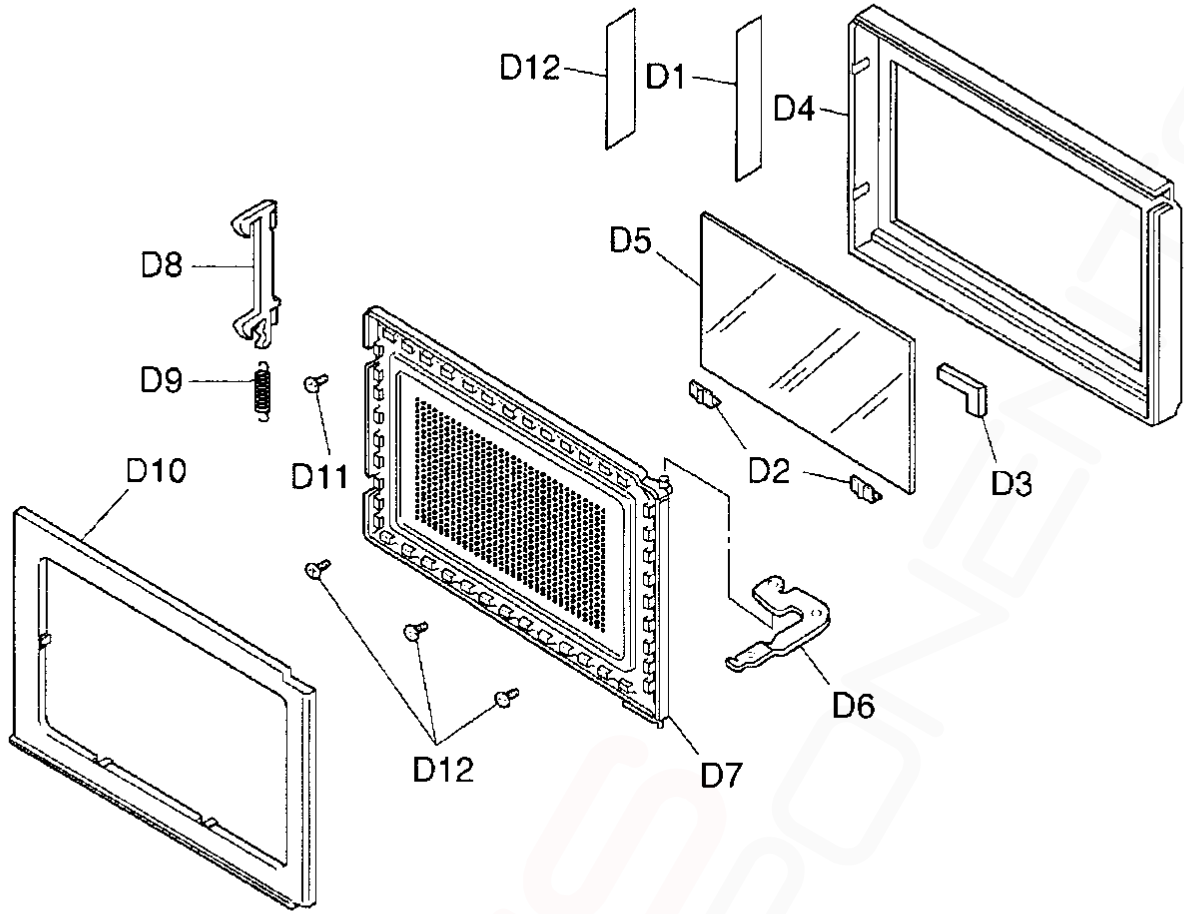
Ref. No.	Part No.	Part Name & Description	Pcs/Set	Remarks
1	ANE00057J0XN	EARTH LABEL	1	NN-C888W TNE/WNT
2	A00065460JP	CAUTION LABEL	1	NN-C888B, NN-C888W HNE/JPG/KKE/KNQ/MNQ/QPQ/TNE/YNQ/VPE
2	A00067680XN	CAUTION LABEL	1	NN-C888WS
2	A00063310WN	CAUTION LABEL	1	NN-C888W WNT
3	ANE0033730GN	FUSE LABEL	1	NN-C888W KKE/KNQ/MNQ/TNE/YNQ
3	A00339810WN	FUSE LABEL	1	NN-C888W WNT
4	A01505870GH	BODY CAUTION LABEL A	1	NN-C888B, NN-C888W JPG/QPQ/VPE
5	A01579810HTN	NAME LABEL	1	NN-C888W TNE
5	A01579810HYN	NAME LABEL	1	NN-C888W YNQ
5	A05249810HWN	NAME LABEL	1	NN-C888W WNT
6	ANE0239L00XN	CORD LABEL	1	NN-C888W KKE/KNQ/VPE
7	A02448980XN	BODY CAUTION LABEL B	1	NN-C888W HNE/MNQ/TNE/WNT/YNQ, NN-C888WS
7	A02448970KK	BODY CAUTION LABEL B	1	NN-C888W KKE/KNQ
8	ANE0002000AA	CUSHION RUBBER A	3	
9	ANE0902000DR	CUSHION RUBBER A	1	NN-C888B, NN-C888W HNE/JPG/KKE/KNQ/MNQ/QPQ/TNE/YNQ/VPE, NN-C888WS
9	ANE0002000AA	CUSHION RUBBER A	1	NN-C888W WNT
10	ANE0902000ED	CUSHION RUBBER A	1	NN-C888W HNE/KKE/KNQ/MNQ/TNE/YNQ, NN-C888WS
11	ANE0911000DC	CUSHION RUBBER B	1	NN-C888B, NN-C888W JPG/QPQ/VPE
12	A10499790QP	CUSHION RUBBER	1	NN-C888B, NN-C888W HNE/JPG/KKE/KNQ/QPQ/TNE/YNQ/VPE, NN-C888WS
13	ANE0002000AC	CUSHION RUBBER C	1	
14	ANE0002000AD	CUSHION RUBBER C	2	
15	ANE0961000AB	CUSHION RUBBER D	2	
16	ANE0962000AH	CUSHION RUBBER D	2	
17	ANE0962000DF	CUSHION RUBBER D	1	
18	ANE0963000CA	CUSHION RUBBER D	1	
19	A10014000AP	BASE	1	
20	A10045850AP	BACK PANEL	1	NOTE 1
21	ANE1008-3W0	RUBBER FOOT	4	
22	A110D9190AP	CABINET BODY (U)	1	NN-C888B
22	A10095850HAP	CABINET BODY (U)	1	NN-C888W HNE/JPG/MNQ/QPQ/TNE/VPE/WNT/YNQ
22	A10095850HKN	CABINET BODY (U)	1	NN-C888W KKE/KNQ, NN-C888WS
23	A10265850GP	BASE C	1	
24	ANE10496P0GS	CUSHION RUBBER	1	NN-C888B, NN-C888W HNE/JPG/KKE/KNQ/MNQ/QPQ/TNE/YNQ/VPE, NN-C888WS
25	A10585850AP	BACK PANEL COVER A	1	
26	A11294000AP	BASE B	1	
27	A11407000AP	STOPPER	1	
28	A200A5850GP	OVEN (U)	1	
Δ				
29	A202N5850AP	UPPER HEATER PANEL	1	
30	A203L5850AP	UPPER PANEL	1	
31	A20365850AP	REINFORCE BRACKET B	1	
32	A20555850AP	COVER	1	
33	A21315540AP	PULLEY SHAFT	1	
34	ANE2177-F80	WASHER	1	
35	A21874760JP	SHIELD PLATE	1	NN-C888B, NN-C888W HNE/JPG/KKE/KNQ/MNQ/QPQ/TNE/YNQ/VPE, NN-C888WS

Ref. No.	Part No.	Part Name & Description	Pcs/Set	Remarks
36	A22365850AP	RIGHT HEATER PANEL	1	
37	A22395850AP	CIRCULATION FAN	1	
38	A22425850AP	ADIABATIC MATERIAL A	1	
39	A22435850AP	ADIABATIC MATERIAL B	1	
40	A290D5850GP	ROLLER RING (U)	1	
41	A30077050AP	LOWER HINGE	1	
42	A3020-1200	DOOR HOOK A	1	
43	A3136-1200	HOOK SPACER A	1	
44	A31374650AP	HOOK SPACER B	1	
45	A31384650AP	HOOK SPACER C	1	
46	A400A4760JP	FAN MOTOR	1	NN-C888B, NN-C888W HNE/JPG/KKE/KNQ/MNQ/QPQ/TNE/YNQ/VPE, NN- C888WS (26W)
46	A400A4010AP	FAN MOTOR	1	NN-C888W WNT (24W)
47	A400K5840GP	EXHAUST GUIDE	1	
48	ANE40086W0AP	FAN	1	
49	A40085020AQ	FAN	1	
50	A40255850AP	AIR GUIDE A	1	
51	A40265850GP	AIR GUIDE B	1	
52	A40315850AP	AIR GUIDE C	1	NN-C888B, NN-C888W JPG/KNQ/MNQ/QPQ/WNT/YNQ
53	ANE4057-F50	SPRING	1	
54	A41325850AP	PULLEY B	1	
55	A41445540AP	ORIFICE	1	
56	A41555020AQ	BELT C	1	
57	A41575850AP	FAN BRACKET A	1	
58	A41585850AP	FAN BRACKET B	1	
59	A41635850AP	FAN SPACER C	1	
60	A400S5850AP	SHAFT (U)	1	
61	A41799190QP	HEATER FAN MOTOR	1	NN-C888B, NN-C888W HNE/JPG/KKE/KNQ/MNQ/QPQ/TNE/YNQ/VPE, NN- C888WS, NN-T888S
61	A41799190WN	HEATER FAN MOTOR	1	NN-C888W WNT (16W)
62	A41805850AP	HEATER FAN MOTOR BRACKET	1	
63	A600B4760JP	H.V. TRANSFORMER	1	NN-C888B, NN-C888W JPG/KNQ/MNQ/QPQ/YNQ (1.5KVA)
63	A600B5540HN	H.V. TRANSFORMER	1	NN-C888W HNE/KKE/TNE/VPE, NN-C888WS (1.6KVA)
63	A621B9190WN	H.V. TRANSFORMER	1	NN-C888W WNT (1.7KVA)
64	A601L4780AP	TEMP SENSOR	1	
65	A60304080BP	INCANDESCENT LAMP	1	NN-C888B, NN-C888W HNE/JPG/KKE/KNQ/MNQ/QPQ/TNE/YNQ/VPE, NN- C888WS (240V, 20W)
65	ANE6030540AP	INCANDESCENT LAMP	1	NN-C888W WNT (125V, 20W)
66	A60378960XN	CAPACITPR BRACKET	1	NN-C888B, NN-C888W HNE/JPG/KKE/KNQ/MNQ/QPQ/TNE/YNQ/VPE, NN- C888WS
66	A60374740AP	CAPACITOR BRACKET	1	NN-C888W WNT
67	A605A9790AP	THERMISTOR	1	
68	A606V4760JP	PROTECTOR DIODE	1	NN-C888B, NN-C888W HNE/JPG/KKE/KNQ/MNQ/QPQ/TNE/YNQ/VPE, NN- C888WS
68	A606V5110BP	PROTECTOR DIODE	1	NN-C888W WNT
69	ANE6075X70AP	CUSHION SPACER	1	
70	A60904080GFS	H.V. CAPACITOR	1	NN-C888B, NN-C888W HNE/JPG/KKE/KNQ/MNQ/QPQ/TNE/YNQ/VPE, NN- C888WS (1.14MF, AC2100V)
70	A60905500AP	H.V. CAPACITOR	1	NN-C888W WNT (1MF, AC2100V)
71	A61159790AP	POWER RELAY BRACKET	1	
72	ANE6142-F60	MICROSWITCH	1	(V-15G-3C26-1) PRIMARY LATCH SWITCH
73	A61425180AP	MICROSWITCH	1	(L-3C2-2) SECONDARY LATCH SWITCH
74	A6145-2700	THERMAL CUTOOUT	1	
75	A61454000AP	THERMAL CUTOOUT	1	
76	A61524000AP	SOCKET	1	NN-C888B, NN-C888W HNE/JPG/KKE/KNQ/MNQ/QPQ/TNE/WNT/YNQ/VPE, NN- C888WS
76	A61524650APS	SOCKET	1	NN-C888W HNE
77	A61785180AP	MICRO SWITCH	1	(L-2C2-2) SHORT SWITCH
78	A62024000AP	DIODE, SI	1	
79	A62388240HN	HEATER SPACER	2	NN-C888W TNE/WNT
80	A62304210BP	FUSE	1	NN-C888B, NN-C888W HNE/JPG/KKE/KNQ/MNQ/QPQ/TNE/YNQ/VPE, NN- C888WS (10A)

Ref. No.	Part No.	Part Name & Description	Pcs/Set	Remarks
80 △	A62307160AP	FUSE	1	NN-C888W WNT (18A)
81	A62314000AP	FUSE HOLDER	1	NN-C888W KKE/KNQ/MNQ/TNE/WNT/YNQ
82	A62384310AG	SPACER	1	
83	A630G5850QP	HEATER A	1	NN-C888B, NN-C888W JPG/KNQ/MNQ/QPQ/YNQ
83	A630G5850HN	HEATER A	1	NN-C888W HNE/KKE/TNE/VPE, NN-C888WS
83	A630G5850AP	HEATER A	1	NN-C888W WNT
84	A63175850GP	LAMP CAP	1	NN-C888B, NN-C888W HNE/JPG/KKE/KNQ/MNQ/QPQ/TNE/YNQ/VPE, NN-C888WS
85	A63265850QP	TURNTABLE MOTOR	1	NN-C888B, NN-C888W HNE/JPG/KKE/KNQ/MNQ/QPQ/TNE/YNQ/VPE, NN-C888WS (2.5W)
85	A63265850AP	TURNTABLE MOTOR	1	NN-C888W WNT (2.5W)
86	A64175850AP	HEATER SUPPORT	4	
87	A65326670CP	HOLDER	3	NN-C888W WNT
87	A65455850JP	HOLDER	3	NN-C888B, NN-C888W HNE/JPG/QPQ/VPE, NN-C888WS
88	XYD4+EEL2F	SCREW	2	(4X12) FOR EARTH
89	A65859790CP	P. C. B. BRACKET	1	NN-C888B, NN-C888W HNE/JPG/QPQ/WNT/VPE, NN-C888WS
90	A66268240HN	THERMAL CUTOFF MOUNT	1	
91 △	2M210-M1E	MAGNETRON	1	NN-C888B, NN-C888W JPG/QPQ/VPE
91 △	2M210-M1F	MAGNETRON	1	NN-C888W HNE/KKE/KNQ/MNQ/TNE/WNT/YNQ, NN-C888WS
92	A692Y9790QP	NOISE FILTER (U)	1	NN-C888B, NN-C888W HNE/JPG/QPQ/VPE, NN-C888WS
92	A692Y919ACP	NOISE FILTER (U)	1	NN-C888W WNT
93	A81335850AP	PLATE	1	
94 △	A900C6660JP	AC CORD W/PLUG	1	NN-C888B, NN-C888W JPG/QPQ (240V)
94 △	A900C7530HN	AC CORD W/PLUG	1	NN-C888W HNE (220V)
94 △	A900C5850MK	AC CORD W/PLUG	1	NN-C888W KKE/KNQ/MNQ/YNQ (240V)
94 △	A900C8960XN	AC CORD W/PLUG	1	NN-C888WS (220V)
94 △	A900C5850TN	AC CORD W/PLUG	1	NN-C888W TNE (220V)
94 △	A900C5850AP	AC CORD W/PLUG	1	NN-C888W WNT (110V)
94 △	A900C5450VN	AC CORD W/PLUG	1	NN-C888W VPE (220V)
95 △	ANE6126X00AP	POWER RELAY	1	NN-C888W TNE/WNT
96	ETP48SFB9B7N	L. V. TRANSFORMER	1	NN-C888B, NN-C888W HNE/JPG/KKE/KNQ/MNQ/QPQ/TNE/YNQ/VPE, NN-C888WS
96	ETP48SFB435N	L. V. TRANSFORMER	1	NN-C888W WNT
97	XNG4EVS	NUT	2	NN-C888B, NN-C888W, NN-C888WS
98	XST4+5VS	SCREW	1	(4X5) FOR COVER
99	XTT4+10BFC	SCREW	2	NN-C888W KKE/KNQ, NN-C888WS (4X10) FOR CABINET BODY
100	XTWANE4+10RU	SCREW	4	(4X10) FOR MAGNETRON
101	XUEANE32KP	RING	1	
102	XWS4VL	WASHER	2	NN-C888B, NN-C888W, NN-C888WS
103	A00065540MN	CAUTION LABEL	1	NN-C888W YNQ

NOTE 1: Please order name label together. (TNE/YNQ/WNT models only)

17 DOOR ASSEMBLY

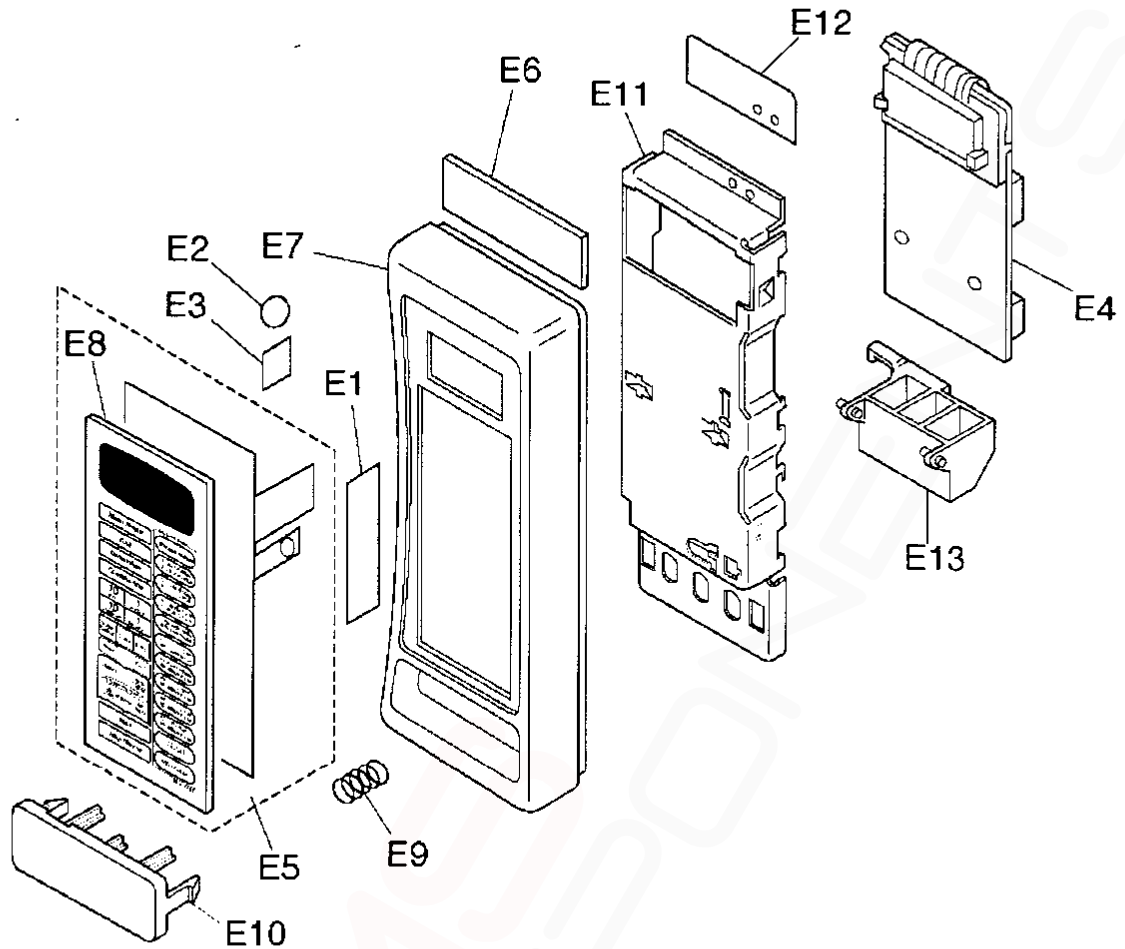


(S-981 QPQ)

Ref. No.	Part No.	Part Name & Description	Pcs/Set	Remarks
D1	ANE0245X00AP	DHHS LABEL	1	NN-C888W WNT
D2	A32779190AP	DOOR SCREEN BRACKET	2	NN-C888B, NN-C888W, NN-C888WS
D3	A09628660HN	CUSHIO NRUBBER D	1	
D4 ▲	A30019190AP	DOOR A	1	NN-C888B NOTE 2
D4 ▲	A30019190HAP	DOOR A	1	NN-C888W, NN-C888WS NOTE 2
D5	A31469810CF	DOOR SCREEN B	1	NN-C888B
D5	A31469810HKN	DOOR SCREEN B	1	NN-C888W HNE/KKE/KNQ/MNQ/TNE/WNT/YNQ, NN-C888WS
D5	A31469810HQP	DOOR SCREEN B	1	NN-C888W JPG/QPQ/VPE
D6 ▲	A30063700BP	UPPER HINGE	1	
D7 ▲	A302K9190AP	DOOR E (U)	1	
D8	A30186660QP	DOOR KEY A	1	
D9	A30214000AP	DOOR KEY SPRING	1	
D10 ▲	A30859190AP	DOOR C	1	
D11	XTN3+7Q	SCREW	4	
D12	A01726210JP	CAUTION LABEL	1	NN-C888W JPG

NOTE 2: Please order DHHS label together. (WNT model only)

18 ESCUTCHEON BASE ASSEMBLY



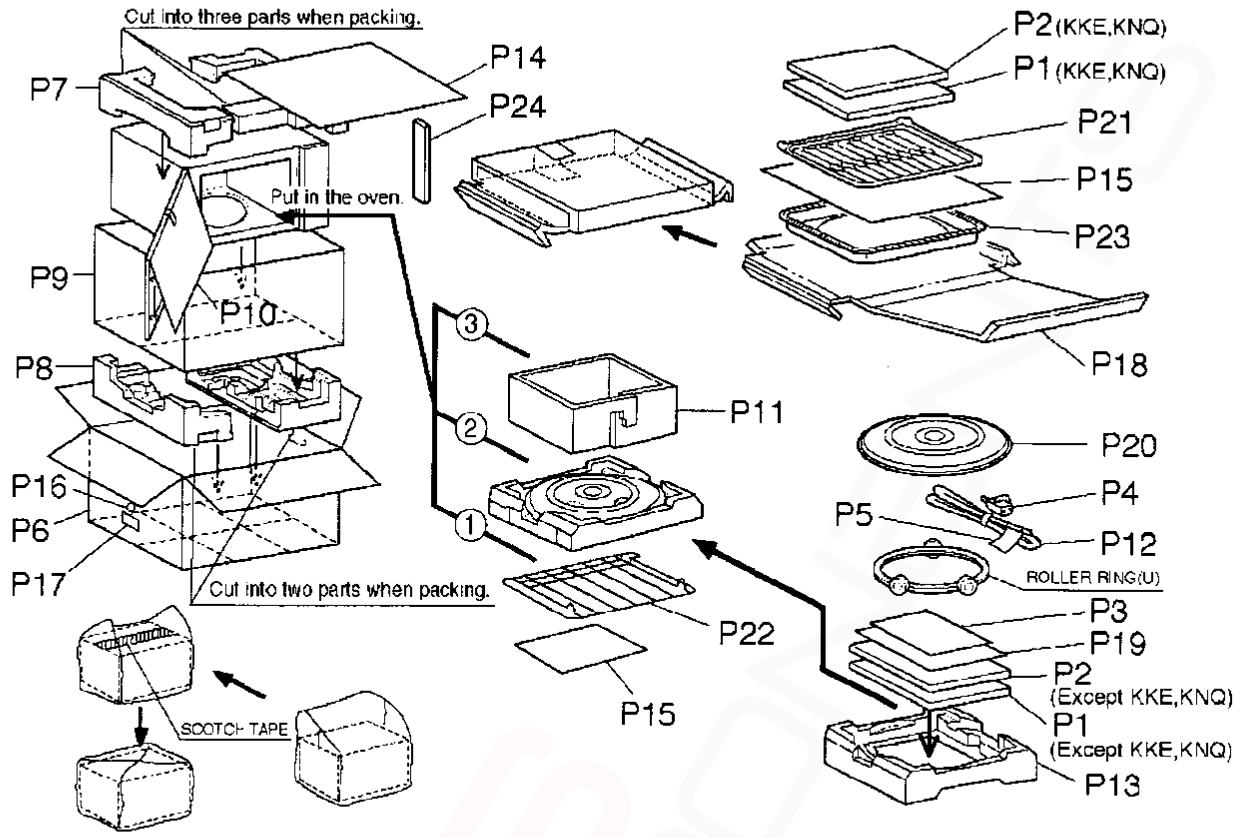
(S-981 QPQ)

Ref. No.	Part No.	Part Name & Description	Pcs/Set	Remarks
E1	A01579810QP	NAME LABEL	1	NN-C888B
E1	A01579810HHN	NAME LABEL	1	NN-C888W HNE
E1	A01579810HJP	NAME LABEL	1	NN-C888W JPG
E1	A01579810HKK	NAME LABEL	1	NN-C888W KKE
E1	A01579810HKN	NAME LABEL	1	NN-C888W KNQ
E1	A01579810HMN	NAME LABEL	1	NN-C888W MNQ
E1	A01579810HQP	NAME LABEL	1	NN-C888W QPQ
E1	A01579810HKN	NAME LABEL	1	NN-C888WS
E1	A01579810HVP	NAME LABEL	1	NN-C888W VPE
E2	A02357530XN	CCTIB LABEL	1	NN-C888WS
E3	A02840000MK	NUMBER LABEL	1	NN-C888W YNQ
E4	A603L9790QP	D.P.CIRCUIT (U)	1	NN-C888B, NN-C888W QPQ RTL (W/COMPONENT)
E4	A603L9810HN	D.P.CIRCUIT (U)	1	NN-C888W HNE RTL (W/COMPONENT)
E4	A603L9790JP	D.P.CIRCUIT (U)	1	NN-C888W JPG, NN-T888S JPG RTL (W/COMPONENT)
E4	A603L9810KK	D.P.CIRCUIT (U)	1	NN-C888W KKE RTL (W/COMPONENT)
E4	A603L9810KN	D.P.CIRCUIT (U)	1	NN-C888W KNQ RTL (W/COMPONENT)
E4	A603L9810MN	D.P.CIRCUIT (U)	1	NN-C888W MNQ RTL (W/COMPONENT)
E4	A603L9810XN	D.P.CIRCUIT (U)	1	NN-C888WS RTL (W/COMPONENT)
E4	A603L9810TN	D.P.CIRCUIT (U)	1	NN-C888W TNE RTL (W/COMPONENT)
E4	A603L9810WN	D.P.CIRCUIT (U)	1	NN-C888W WNT RTL (W/COMPONENT)
E4	A603L9810YN	D.P.CIRCUIT (U)	1	NN-C888W YNQ RTL (W/COMPONENT)
E5	A630Y9810QP	MEMBRANE SWITCH (U)	1	NN-C888B
E5	A630Y9810HHN	MEMBRANE SWITCH (U)	1	NN-C888W HNE/MNQ/TNE/YNQ
E5	A630Y9810HQP	MEMBRANE SWITCH (U)	1	NN-C888W JPG/QPQ/VPE
E5	A630Y9810HKN	MEMBRANE SWITCH (U)	1	NN-C888W KKE/KNQ
E5	A630Y9810HXN	MEMBRANE SWITCH (U)	1	NN-C888WS

Ref. No.	Part No.	Part Name & Description	Pcs/Set	Remarks
E5	A630Y9810HWN	MEMBRANE SWITCH (U)	1	NN-C888W WNT
E6	A80025540AP	ESCUTCHEON B	1	
E7	A80349190AP	ESCUTCHEON BASE	1	NN-C888B NOTE 3
E7	A80349190HAP	ESCUTCHEON BASE	1	NN-C888W, NN-C888WS NOTE 3
E8	A83379810QP	ESCUTCHEON SHEET	1	NN-C888B
E8	A83379810HHN	ESCUTCHEON SHEET	1	NN-C888W HNE/MNQ/TNE/YNQ
E8	A83379810HQP	ESCUTCHEON SHEET	1	NN-C888W JPG/QPQ/VPE
E8	A83379810HKN	ESCUTCHEON SHEET	1	NN-C888W KKE/KNQ
E8	A83379810HKN	ESCUTCHEON SHEET	1	NN-C888WS
E8	A83379810HWN	ESCUTCHEON SHEET	1	NN-C888W WNT
E9	ANE80378A0AG	COOK BUTTON SPRING	1	
E10	A80729190AP	DOOR OPENING BUTTON	1	NN-C888B
E10	A80729190HAP	DOOR OPENING BUTTON	1	NN-C888W, NN-C888WS
E11	A81279190AP	BACK PANEL	1	NN-C888B, NN-C888W, NN-C888WS
E12	A82518980HN	ESCUTCHEON SPACER	1	
E13	A82569190AP	DOOR OPENING LEVER	1	

NOTE 3: Please order name label together. (Except TNE/YNQ/WNT models)

19 PACKING AND ACCESSORIES



(S-981 QPQ)

Ref. No.	Part No.	Part Name & Description	Pcs/Set	Remarks
P1	A000B9810MN	COOK BOOK	1	NN-C888W HNE/MNQ/TNE/YNQ
P1	A000B5820KN	COOK BOOK	1	NN-C888W KKE/KNQ
P1	A000B9810WN	COOK BOOK	1	NN-C888W WNT, NN-C888WS
P2	A00039790QP	INSTRUCTION BOOK	1	NN-C888B, NN-C888W JPG/QPQ/VPE, NN-T888S JPG/QPQ/VPE
P2	A00039810HN	INSTRUCTION BOOK	1	NN-C888W HNE/MNQ/TNE/YNQ
P2	A00039810KN	INSTRUCTION BOOK	1	NN-C888W KKE/KNQ
P2	A00039810XN	INSTRUCTION BOOK	1	NN-C888WS
P2	A00039810WN	INSTRUCTION BOOK	1	NN-C888W WNT
P3	A00147530XN	PL CAUTION LABEL	1	NN-C888WS
P4	A442B5750WN	PLUG	1	NN-C888W WNT
P5	A00324040XN	EARTH CAUTION LABEL	1	NN-C888W TNE
P6	A01029810QP	PACKING CASE, PAPER	1	NN-C888B
P6	A01029810HFN	PACKING CASE, PAPER	1	NN-C888W HNE
P6	A01029810HJP	PACKING CASE, PAPER	1	NN-C888W JPG
P6	A01029810HKK	PACKING CASE, PAPER	1	NN-C888W KKE
P6	A01029810HKN	PACKING CASE, PAPER	1	NN-C888W KNQ
P6	A01029810HMN	PACKING CASE, PAPER	1	NN-C888W MNQ
P6	A01029810HQF	PACKING CASE, PAPER	1	NN-C888W QPQ
P6	A01029810HXN	PACKING CASE, PAPER	1	NN-C888WS
P6	A01029810HTN	PACKING CASE, PAPER	1	NN-C888W TNE
P6	A01029810HVP	PACKING CASE, PAPER	1	NN-C888W VPE
P6	A01029810HWN	PACKING CASE, PAPER	1	NN-C888W WNT
P6	A01029810HYN	PACKING CASE, PAPER	1	NN-C888W YNQ
P7	A01045850AP	UPPER FILLER	1	NN-C888B, NN-C888W JPG/QPQ/WNT/VPE
P7	A01044760KN	UPPER FILLER	1	NN-C888W HNE/KKE/KNQ/MNQ/TNE/YNQ, NN-C888WS
P8	A01055850AP	LOWER FILLER	1	NN-C888B, NN-C888W JPG/QPQ/WNT/VPE
P8	A01054760KN	LOWER FILLER	1	NN-C888W HNE/KKE/KNQ/MNQ/TNE/YNQ, NN-C888WS
P9	A01065200AP	VINYL COVER	1	
P10	A01075240AP	DOOR SHEET	1	
P11	A01085850CP	TRAY PACKING	1	
P12	A91644000XN	EARTH LEAD	1	NN-C888W TNE/WNT

Ref. No.	Part No.	Part Name & Description	Pcs/Set	Remarks
P13	A01135850AP	TRAY STYROL	1	
P14	A01264760ZP	REINFORCE MATERIAL	1	NN-C888W KKE/KNQ, NN-C888WS
P14	A01265810WN	REINFORCE MATERIAL	1	NN-C888W WNT
P15	ANE02072L0AP	STYROL SHEET	2	
P16	A02337530XN	CCEE LABEL A	1	NN-C888WS
P17	A02347530XN	CCEE LABEL B	1	NN-C888WS
P18	A03385850CP	TRAY PACKING	1	
P19	A04459810HMN	MENU LABEL	1	NN-C888W MNQ
P20	A06014000AP	COOKING TRAY	1	
P21	A06485080BP	SPATTER SHIELD	1	
P22	A06025850AP	OVEN RACK	1	
P23	A06035020AP	BROILER PAN	1	
P24	A01455850AP	DOOR SHEET B	1	