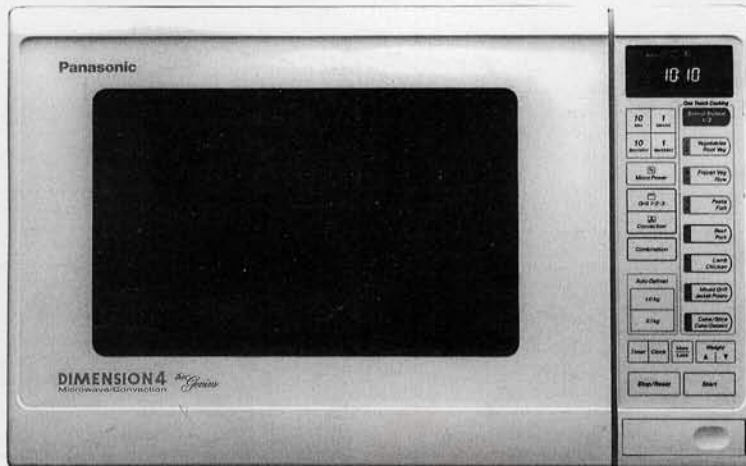


# Service Manual

Microwave Oven  
**NN-C855B**



## Specifications

Power Source:	230 V AC Single Phase, 50 Hz (JPG) 240 V AC Single Phase, 50 Hz (QPQ)
Power Requirement:	2800 W Max (QPQ)      2880 W (JPG) 1460 W Microwave (QPQ)    1500 W (JPG)
Output:	900 W.....Full Microwave Power (IEC-705) 1380 W Grill (QPQ) 1460 W Convection heater (QPQ) 1380 W Grill (JPG) 1510 W Convection heater (JPG)
Microwave Frequency:	2450 MHz
Timer:	99 min. 99 sec.
Outside Dimensions:	343 (H) × 530 (W) × 458 (D) mm
Oven Cavity Dimensions:	250 (H) × 350 (W) × 362 (D) mm
Weight:	24 kg
Specifications subject to change without notice.	

# Panasonic

© 1995 Matsushita Electric Industrial Co., Ltd.  
 All rights reserved. Unauthorized copying and  
 distribution is a violation of law.

### PARTS LIST

- NOTE 1: When ordering replacement part(s), please use part number(s) shown in this parts list. Do not use description of the part.
- 2: Important safety notice:  
Components identified by  $\Delta$  mark have special characteristics important for safety. When replacing any of these components, use only manufacturer's specified parts.
- 3: Components identified by (\*) are MELUK supplied.

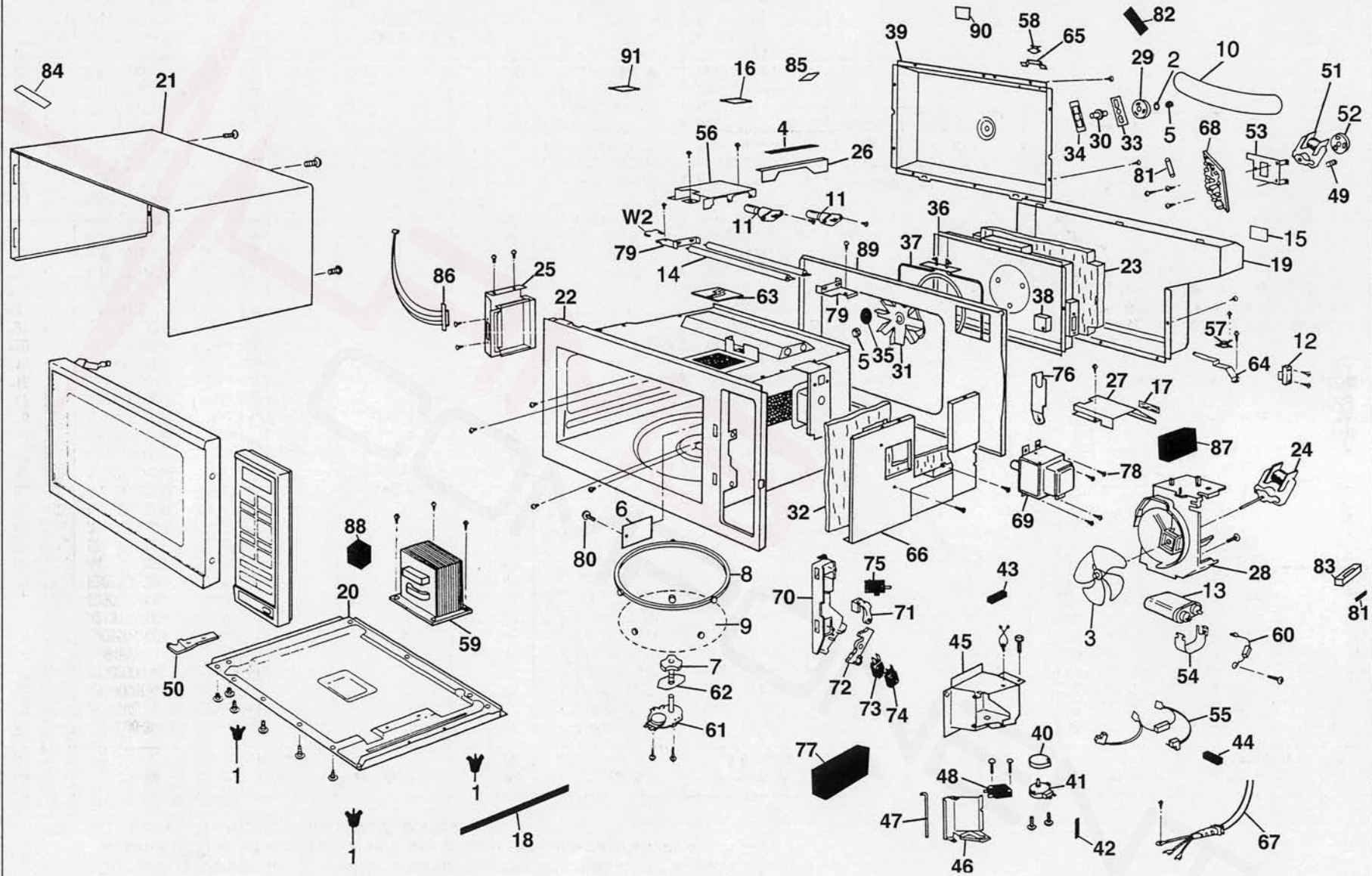
Ref. No.	Part No.	Part Name & Description	Pcs/Set	Remarks
*1	AEE1008-3WO	Rubber foot	4	
2	XWS4VL	M4 washer	1	
3	ANE40086WOAP	Fan	1	
*4	E09020000AL	Cushion Rubber	1	
5	XN94EVS	M4 Nut	2	
*6	E20556520GP	Cover A	1	(MICA)
7	A21315870GP	Pulley shaft	1	
*8	E290D6700BP	Roller ring assy	1	
*9	E202K6700BP	Roller BU	3	NOTE: 1
10	A41556750BP	Belt C	1	
*11	$\Delta$ E610T6700BP	Oven lamp U	2	
12	$\Delta$ A605Y060WBQO	Thermistor BU	1	
*13	$\Delta$ E60906520GP	HV capacitor	1	(1.2uF)
14	$\Delta$ A630G6520BP	HeaterA assy	2	NN-C855B QPQ
15	$\Delta$ A630G6520GP	HeaterA assy	2	NN-C855B JPG
*15	E00065460JP	Warning label	1	
*16	E04906520BP	Heater label	1	NN-C855B QPQ
*16	E04906520GP	Heater label	1	NN-C855BJPG
*17	E09010000CD	Cushion rubber	1	
*18	E09020000AL	Cushion rubber	1	
*19	E100L6750BP	Back cover unit	1	
*20	E10016700BP	Base plate	1	
*21	E110D6700HBP	Outer panel assy	1	
*22	E200A6750BP	Oven Assy	1	
*23	E22436750BP	Adiabatic material B	1	
*24	E400A4760JP	Fan motor	1	
*25	E402N6750BP	Exhaust guide	1	
*26	E40266750BP	Air guide B	1	
*27	E40306750BP	Air guide D	1	
*28	E41445750GP	Orifice	1	
29	A41325850AP	Pulley B	1	
*30	E400S6740GP	Bearing assy	1	
*31	E22396750BP	Circulation fan	1	
*32	E22426750BP	Adiabatic A	1	
*33	E41575850AP	Fan brk A	1	
*34	E41585850AP	Fan brk B	1	
*35	E41635850AP	Spacer C	1	
*36	E607F6750BP	Heater cover unit	1	
*37	$\Delta$ E630H6750BP	Heater B unit	1	NN-C855BQPQ
*37	$\Delta$ E630H6750GP	Heater B unit	1	NN-C855BJPG
*38	E64175850AP	Heater support	2	
*39	E66806750BP	Heater cover B	1	
*40	E48236750BP	Cam A	1	

Ref. No.	Part No.	Part Name & Description	Pcs/Set	Remarks
41	A68076000BP	Shutter motor	1	
*42	E09010000AG	Cushion rubber	1	
*43	E09030000ZF	Cushion rubber	1	
*44	E09040000AB	Cushion rubber	1	
*45	E400E6750BP	Air guide A unit	1	
*46	E41736750BP	Shutter	1	
*47	E41746000BP	Shutter shaft	1	
*48	$\Delta$ E61425180AP	Latch switch B	1	
*49	AEE4057-F50	Propeller fan spring	1	
*50	$\Delta$ E30076700AP	Hinge B	1	
51	$\Delta$ A41796750BP	Circulation fan motor	1	
*52	E41316750BP	Pulley drive	1	
*53	E41806750BP	Circulation fan motor brk	1	
*54	E60374760GP	Capacitor holder	1	
*55	$\Delta$ E606V4760JP	Protector diode U	1	
*56	E60746750BP	Lamp bkt	1	
*57	$\Delta$ E61454000AP	Thermal cutout	1	
*58	$\Delta$ E61454760JP	Thermal cutout	1	
*59	$\Delta$ E620A5750GP	H.V transformer	1	NN-C855BJPG
*59	$\Delta$ E620A6520QP	H.V transformer	1	NN-C855B QPQ
*60	$\Delta$ E62024000AP	Stack diode	1	
*61	$\Delta$ E63264760JP	Turn table motor	1	
*62	$\Delta$ E63526700BP	Turn table motor sheet	1	
*63	E64376750BP	Lamp glass	1	
*64	E66266700BP	Thermal cutout bkt	1	
*65	E66266750BP	Thermal cutout bkt	1	
*66	E203N6750BP	Right hand heater panel	1	
*67	$\Delta$ E900C6750QP	Power cord	1	NN-C855BQPQ
*67	$\Delta$ E900C6750JP	Power cord	1	NN-C855BJPG
*68	$\Delta$ E692Y6700BP	Noise filter assy	1	NN-C855BJPG
*69	$\Delta$ 2M210-M1 E	Magnetron	1	
70	A30204310AG	Door hook	1	
71	A31384650AP	Hook spacer C	1	
72	A31374650AP	Hook spacer B	1	
73	$\Delta$ A614251780AP	Secondary latch switch	1	
74	$\Delta$ A61785180AP	Short switch	1	
75	$\Delta$ ANE6142-F61	Primary switch	1	
*76	E40476750BP	Air guide E	1	
*77	E41024760JP	Cushion rubber	1	

Ref. No.	Part No.	Part Name & Description	Pcs/Set	Remarks
78	XTWANE4 + 10RU	Screw	4	
*79	E64606700BP	Heater bkt	2	
80	XST4 + 5VS	Screw	1	Cover A
*81	$\Delta$ E67593030GP	Fuse	1	10A Hawker
82	ANE0961000AF	Cushion	1	Type A
83	A62314000AP	Fuse holder	1	NN-C855B QPQ
*84	E01507550BP	Warning label	1	(outer panel)
*85	E03115460QP	'N' label	1	
*86	E03606750BP	Lead wire unit	1	(With humidity Sensor)
*87	E09120000BE	Cushion rubber	1	
*88	E10496750GP	Cushion rubber	1	
*89	E20336750BP	Oven Back Plate	1	
*90	E01706750QP	Warning label	1	NN-C855B QPQ
*90	E01706210JP	Warning label	1	NN-C855B JPG
*91	AEE0033730GN	Fuse label	1	NN-C855B QPQ

NOTE 1: The Roller B assy contains three rollers. When replacing the Roller B, make sure all rollers are replaced together for smooth turning of the glass cooking tray.

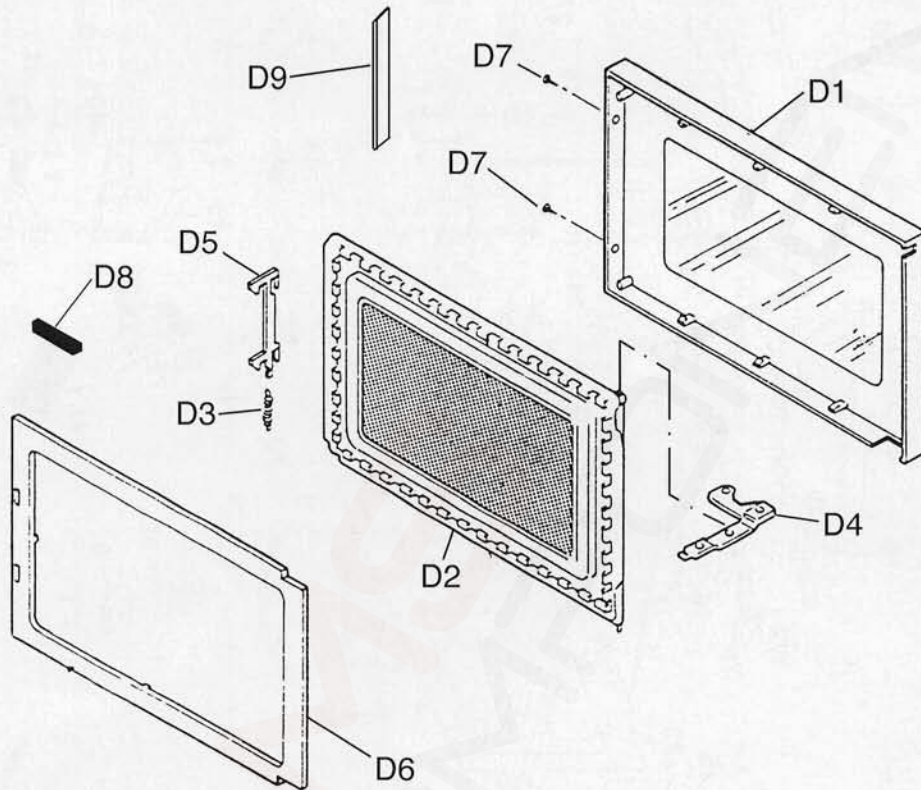
# EXPLODED VIEW AND PARTS



NOTE: For further information on convection back heater refer to page 32.

# DOOR ASSEMBLY

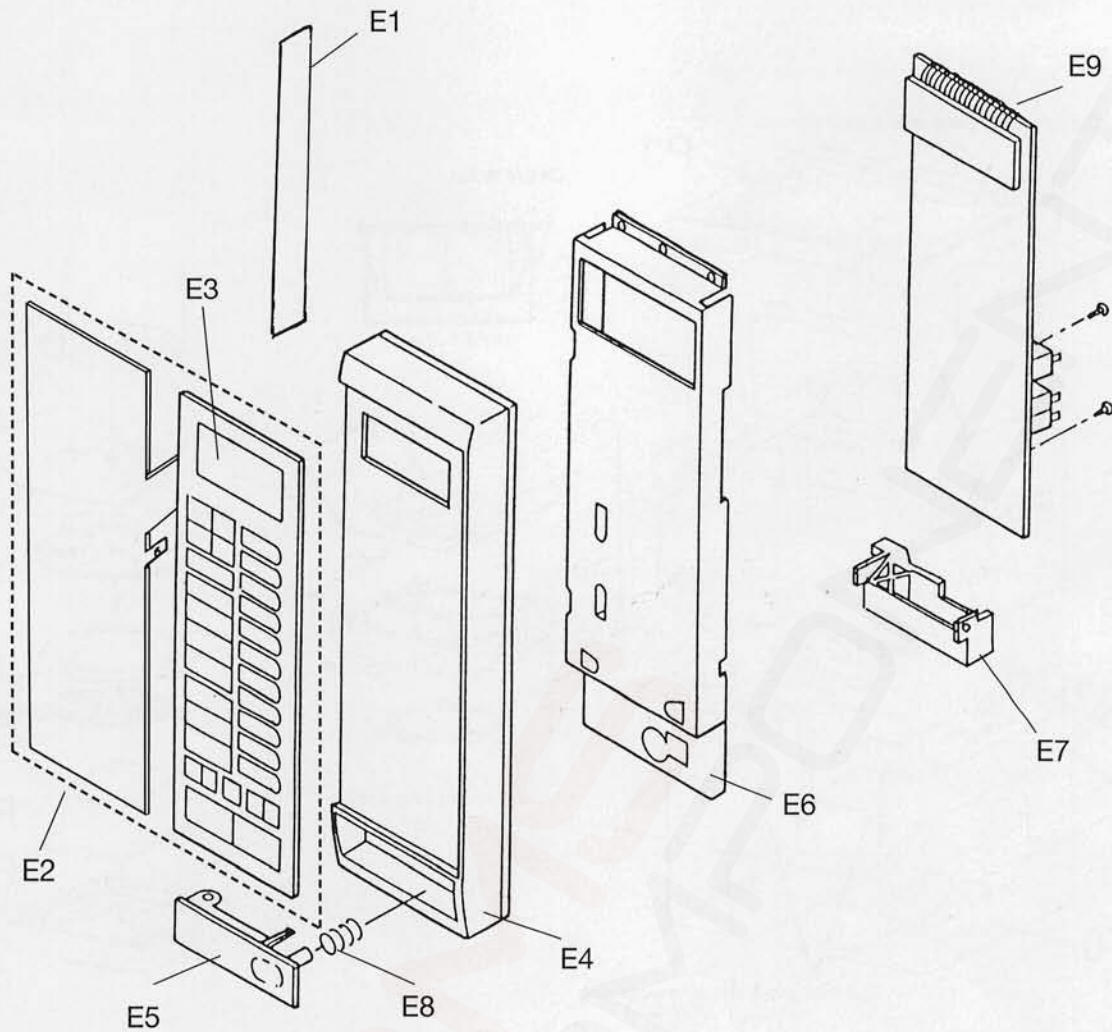
(022)



No.		Part No.	Part Name & Description	Set	Remarks
*D1		E302A6750HQP	Door Assy	1	
*D2	△	E302K6750BP	Door E (U)	1	
D3		A30214000AP	Door key spring	1	
*D4		E30067300AP	Hinge A	1	
*D5		E30184650AP	Door key A	1	
*D6		E30856750BP	Door C	1	
D7		XTBANE3 + 8BC	Screw	2	
*D8		E09230000CG	Cushion rubber	1	
*D9	△	E01726210JP	Caution label	1	NN-C855B JPG

# ESCUTCHEON BASE ASSEMBLY

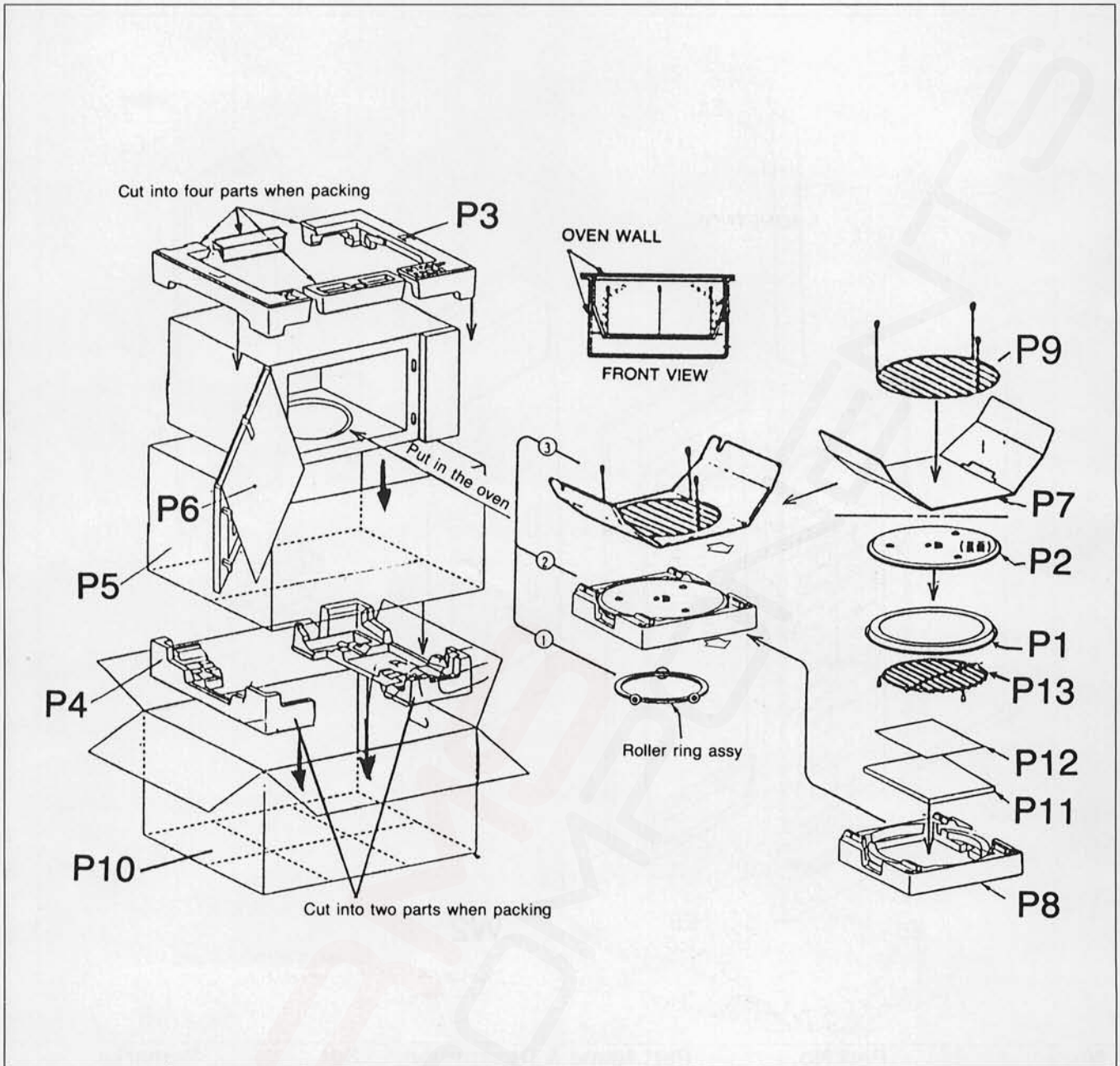
(023)



No.	Part No.	Part Name & Description	Set	Remarks
*E1	E00076750QP	Name plate	1	NN-C855BQPQ
*E1	E00076750JP	Name plate	1	NN-C855BJPG
*E2	E630Y6750HQP	Membrane switch (U)	1	NN-C855BQPQ/JPG
E3	E83376750HQP	Escutcheon sheet	1	NN-C855BQPQ/JPG
*E4	E80346750HBP	Escutcheon base	1	Note : 2
*E5	E80727010AP	Door opening button	1	
*E5	E80727010HAP	Door opening button	1	
*E6	E81276750BP	Escutcheon back plate	1	
*E7	E82567010AP	Door opening lever	1	
E8	AEE80378A0AG	Opening button spring	1	
*E9	△ E603L6750QP	PCB assy	1	NN-C855BQPQ
*E9	E603L6750JP	PCB assy	1	W/component NN-C855BJPG W/componant

NOTE : 2 Please order Name Plate together.

# PACKING AND ACCESSORIES



No.	Part No.	Description	Set	Remarks
*P1	E06015020AP	Metal tray	1	
*P2	E06016750BP	Glass tray	1	
*P3	E01046750BP	Upper filler	1	
*P4	E01056750BP	Lower filler	1	
*P5	E01066750BP	Vinyl cover	1	
*P6	E01076700BP	Door sheet	1	
*P7	E01086700BP	Tray packing	1	
*P8	E01136700BP	32 ltr tray styrol	1	
*P9	E060V5870SP	Wire rack assy	1	
*P10	E01026750HQP	Carton box	1	NN-C855BQPQ
*P10	E01026750HJP	Carton box	1	NN-C855BJPG
*P11	E000B6750BP	Cook book	1	
*P12	E00036750QP	Instruction book	1	
*P13	E060V6000BP	Wire rack assy	1	NN-C855BQPQ