

Service Manual

Microwave Oven

Simplified

NN-C2002W
NN-C2003S

Please file and use this supplement manual together with the service manual Model NN-C2000P (Order No. MOD0009237C3) and Model NN-C2000P (Order No. MOD0204263C2).

Specifications

Power Source:	240 V AC Single Phase, 50 Hz For QPQ, KPQ, MPQ, YPQ models 230 V AC Single Phase, 50 Hz For JPG model 220 V AC Single Phase, 50 Hz For HPE, TPE, KTE, TTE, KUE, ZPE, PTE models 220-230 V AC Single Phase, 60 Hz — For LPK model 220 V AC Single Phase, 50/60 Hz ---- For STM model	
Power Requirement:	Microwave	1,220 W
	Heater	1,800 W
Output:	Microwave	1,000 W: Full Power (IEC 705-88)
	Heater	1,760 W
Microwave Frequency:	2,450 MHz	
Timer:	99 min. 99 sec. / 9 hr. 99min.	
Outside Dimensions:	376 mm (H) X 611 mm (W) X 490 mm (D)	
Over Cavity Dimensions:	242 mm (H) X 412 mm (W) X 426 mm (D)	
Weight:	Approx. 21 kg	
PbF:	This product with PbF	
Specifications subject to change without notice.		

Panasonic®

© 2003 Matsushita Electric Industrial Co., Ltd. All rights reserved. Unauthorized copying and distribution is a violation of law.

WARNING

* This product should be serviced only by trained, qualified personnel.

This service manual covers products for following markets.

When troubleshooting or replacing parts, please refer to the country identifications shown below for your applicable product specification.

YPQ For Singapore

KPQ For Kuwait, Doha Qatar,
Oman, Bahrain, Pakistan

MPQ For Malaysia

QPQ For Australia

HPE For Hong Kong

KTE For U.S.A

TPE For Thailand

LPK For Philippines

JPG For New Zealand

STM For Saudi Arabia

KUE For Egypt

PTE For Iran

TTE For Indonesia

ZPE For CIS

WARNING

This service information is designed for experienced repair technicians only and is not designed for use by the general public.

It does not contain warnings or cautions to advise non-technical individuals of potential dangers in attempting to service a product.

Products powered by electricity should be serviced or repaired only by experienced professional technicians. Any attempt to service or repair the product or products dealt with in this service information by anyone else could result in serious injury or death.

CAUTION

About lead free solder (PbF)

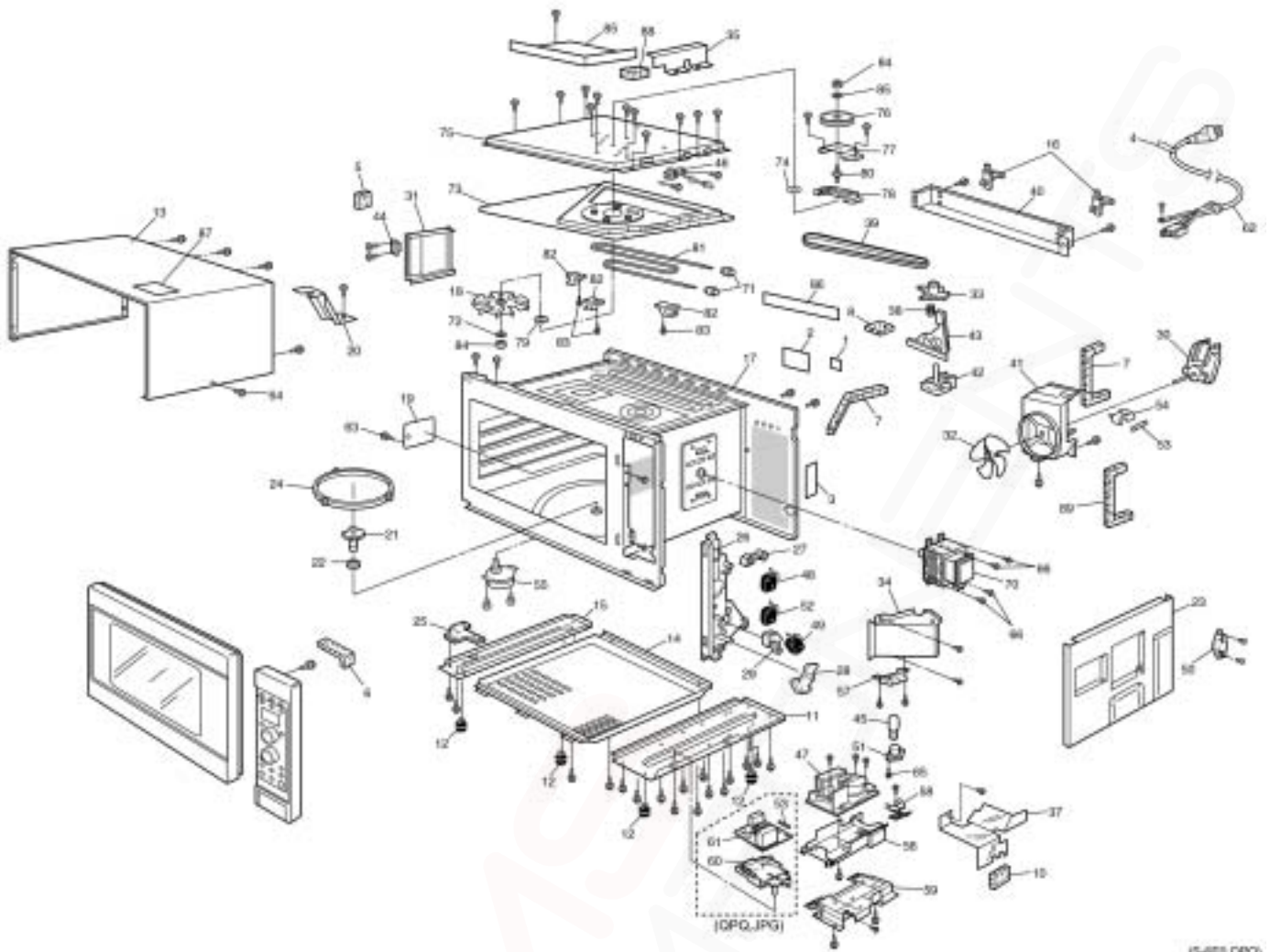
Distinction of PbF PCB: PCBs (manufactured) using lead free solder will have a PbF stamp on the PCB.

Caution: ● Pb free solder has a higher melting point than standard solder; Typically the melting point is 30 - 40°C higher.

Please use a high temperature soldering iron. In case of the soldering iron with temperature control, please set it to $370 \pm 10^\circ\text{C}$.

● Pb free solder will tend to splash when heated too high (about 600°C)

1 EXPLODED VIEW AND PART LIST



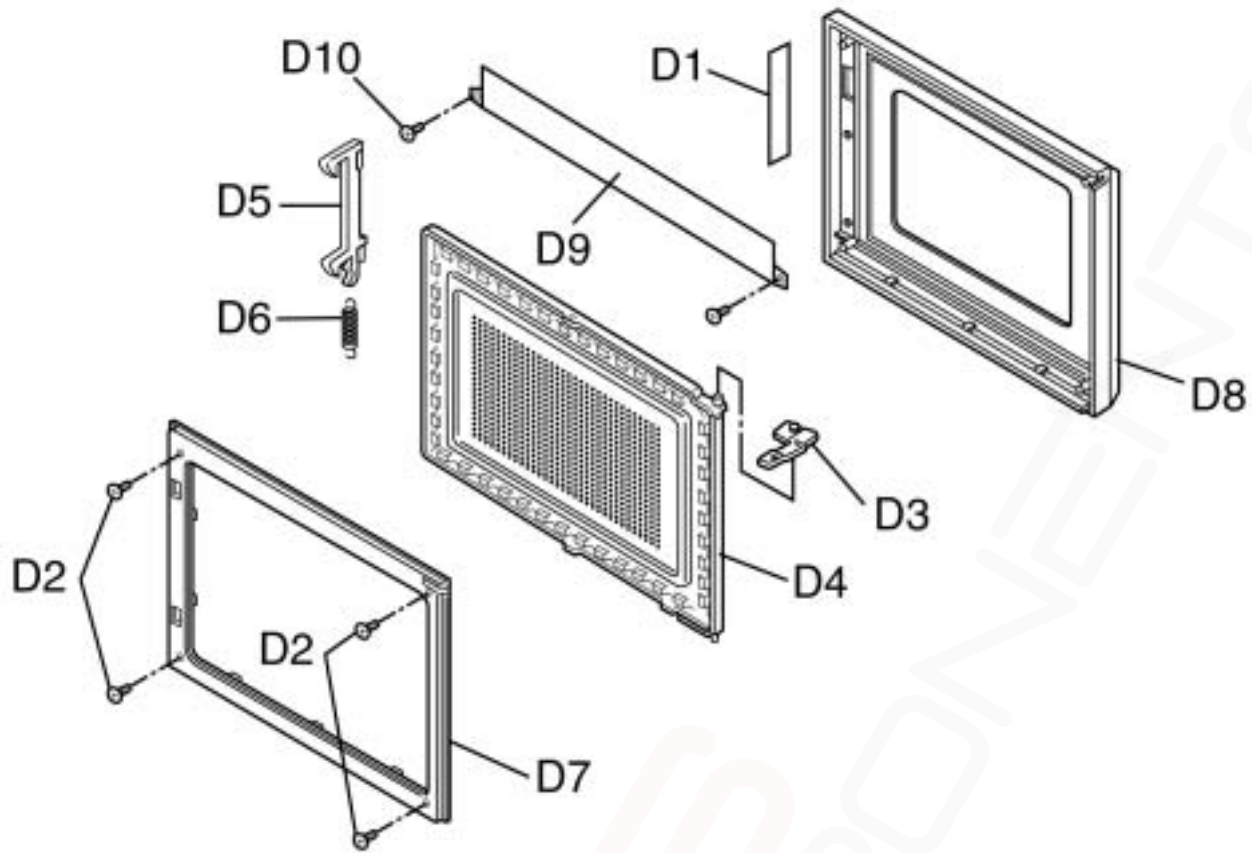
(S-623 DFC)

2 PARTS LIST

Ref.No.	Part No.	Part Name & Description	Pcs/Set	Remarks
1	ANE00057J0XN	EARTH LABEL	1	TPE
2	A0006JP	CAUTION LABEL 4X70JP	1	QPQ/TPE/YPQ/JPG/HPE/KTE/KUE/KPQ/LPK/MPQ/STM
2	A00065540MN	CAUTION LABEL 4X70JP	1	YPQ
2	A00066000ZP	CAUTION LABEL	1	ZPE
3	ANE0033730GN	FUSE LABEL	1	LPK/MPQ/HPE/KUE/TPE/YPQ/PTE/TTE
4	ANE0239L00XN	CORD LABEL	1	KTE/KUE/STM/PTE
5	ANE0902000CA	CUSHION RUBBER A	1	
6	ANE0921000BK	CUSHION RUBBER C	1	
7	ANE0924000AQ	CUSHION RUBBER C	1	
7	ANE0924000AQ	CUSHION RUBBER C	1	
8	ANE0922000DD	CUSHION RUBBER C	1	
9	ANE09202000AV	CUSHION RUBBER A	1	
10	ANE0924000GE	CUSHION RUBBER C	1	
11	A10014X00AP	BASE	1	
12	ANE1008-3W0	RUBBER FOOT	4	
13	A10096E00QP	CABINET BODY	1	NN-C2003S
13	A10094X70HQP	CABINET BODY	1	NN-C2002W
14	A10266660QP	BASE C	1	
15	A11294X00AP	BASE B	1	
16	A11406660QP	STOPPER	2	
16	A11406660HMK	STOPPER	2	NN-C2000P YNQ
17	A200A4X00AP	OVEN	1	⚠
18	ANE22392L0AP	CIRCULATION FAN	1	
19	A20554X00AP	COVER	1	
20	A20764X00AP	REINFORCE BRACKET C	1	
21	A21315870GP	PULLEY SHAFT	1	
22	ANE2177-F80	WASHER	1	
23	A22365450AP	RIGHT HEATER PANEL	1	
24	A290D4J00XN	RPLER RING (U)	1	
25	A30076660QP	LOWER HINGE	1	⚠
26	A3020-1200	DOOR HOOK A	1	⚠
27	A3136-1200	HOOK SPACER A	1	
28	A31374650AP	HOOK SPACER B	1	
29	A31384650AP	HOOK SPACER C	1	
30	A400A5500QP	FAN MOTOR	1	ALL EXCEPT LPK (24.8W)
30	A400A4000LN	FAN MOTOR	1	LPK
31	A400K5040AQ	EXHAUST GUIDE	1	
32	AME40086W0AP	FAN	1	
33	A40085020AQ	FAN	1	
34	A40256660QP	AIR GUIDE A	1	
35	A40264X00AP	AIR GUIDE B	1	
36	A40306660QP	AIR GUIDE C	1	
37	A4047X00AP	AIR GUIDE E	1	
38	ANE4057-F50	SPRING	1	
39	A40606660QP	BELT	1	
40	A41206660QP	EXHAUST COVER	1	
41	A41446660SN	ORIFICE	1	
42	A41799190QP	HEATER FAN MOTOR	1	MPQ/PTE/TTE/JPG/HPE/KTE/KYE/KPQ/MPQ/TPE/YPQ (16W)
42	A41795080BP	HEATER FAN MOTOR	1	STM/LPK/ZPE (35/33.5W)
43	A41804X00AP	HEATER FAN MOTOR BRACKET	1	
44	A601L4780AP	HUMIDITY SENSOR	1	
45	A60304080BP	INCANDESCENT LAMP	1	(20W/240V)
46	A605A4X70QP	THERMISTOR	1	
47	A600Y4V00GP	H. V. INVERTER (U)	1	⚠
48	ANE6142-F60	MICRO SWITCH	2	⚠ (V-15G-3C26-1) (PRIMARY)
49	A61425180AP	MICRO SWITCH	2	⚠ (L-3C2-2) (SECONDARY)
50	A61456670AP	THERMAL CUTOUT	1	⚠
51	A61524650AP	SOCKET	1	
52	A61785180AP	MICRO SWITCH	2	⚠ (L-2C2-2) (SHORT SW)
53	A62304210BP	FUSE	1	⚠ (10A/250V)
54	A62314000AP	FUSE HOLDER	1	PTE/TTE/HPE/KTE/KUE/KPQ/LPK/MPQ
55	A63266660HN	TURNTABLE MOTOR	1	HPE/KTE/KUE LPK/TTE/PTE/ZPE/STM/TPE
55	A63265850QP	TURNTABLE MOTOR	1	QPQ/KPQ/MPQ/YPQ/JPG

56	A6585-1B10	P. C. B. HOLDER A	1	
57	A66036000BP	OVEN LAMP BRACKET	1	
58	A6662-1880	EARTH SPACER	1	
59	A67634X00AP	P. C. B. HOLDER B	1	
60	A67974X00CP	P. C. B. HOLDER C	1	
61	A692Y4T00QP	NOISE FILTER (U)	1	QPQ/JPG/STM/ZPE
62	A900C6660HN	AC CORD W/PLUG	1	▲ HPE (220-240V)
62	A900C5450MK	AC CORD W/PLUG	1	▲ KTE/KUE/KPQ/MPQ/YPQ (220-240V)
62	A900C6240CP	AC CORD W/PLUG	1	▲ LPK (230-240V)
62	A900C9770SN	AC CORD W/PLUG	1	▲ STM (220-240V)
62	A900C5450TN	AC CORD W/PLUG	1	▲ TPE/TTE (220V)
62	A900C6660JP	AC CORD W/PLUG	1	▲ QPQ/JPG (240V)
62	A900C4X70ZP	AC CORD W/PLUG	1	ZPE/PTE
63	XST4+5VS	SCREW	1	4X5 (FOR COVER)
64	XTT4+8RDN	SCREW	1	4X8 (FOR CABINET BODY)
65	XTWANE3+10S4	SCREW	1	3X10 (FOR LAMP SOCET)
66	XTWANE4+10RU	SCREW	4	4X10 (FOR MAGNETRON)
66	XTWANE4+10RU	SCREW	4	4X10 (FOR MAGNETRON)
67	XTWA3+8CF	SCREW	1	3X8 (FOR INVETER EARTH)
68	XTW3+18B	SCREW	4	
69	XYD4+EE12F	SCREW	1	4X12 (FOR EARTH)
70	2M236-M1G	MAGNETRON	1	▲ QPQ/ZPE/STM/JPG
70	2M236-M1F1	MAGNETRON	1	▲ PET/TTE/KUE KTE/HPE/MPQ/LPK/KPQ/TPE/YPQ
71	ANE6501-C41	HEARTER HOLDER C	2	
72	XWS4VL	WASHER	2	
73	A21446660QP	UPPER PANEL	1	
74	A21776660QP	WASHER	1	
75	A22784X00AP	UPPER HEATER PANEL	1	
76	A41325020AQ	PULLEY B	1	
77	A41575450AP	FAN BRACKET A	1	
78	A41585450AP	FAN BRACKET B	1	
79	A41635020AQ	FAN SPACER C	1	
80	A400S6660QP	SHAFT U	1	
81	A630G6660QP	HEATER A	1	QPQ/KPQ/MPQ/YPQ
81	A630G6660HN	HEATER A	1	LPK/STM/TPE/ZPE/HPE/KTE/KUE/PTE/TTE/HPE/KTE
81	A630G6660JP	HEATER A	1	JPG
82	A64175130AP	HEATER SUPPORT	3	
83	XTWANE35+14N	SCREW	3	3.5X14 (FOR HEATER SUPPORT)
84	XNG4EVS	NUT	2	
85	A41074X70QP	EXHAUST FUIDE B	1	
86	A01576E00HP	NAME LABEL	1	NN-C2003S HPE
86	A01576E00KT	NAME LABEL	1	NN-C2003S KTE
86	A01576E00KP	NAME LABEL	1	NN-C2003S KPE
86	A01576E00LP	NAME LABEL	1	NN-C2003S LPK
86	A01576E00MP	NAME LABEL	1	NN-C2003S MPQ
86	A01576E00ST	NAME LABEL	1	NN-C2003S STM
86	A01576E00TP	NAME LABEL	1	NN-C2003S TPE
86	A01576E00YP	NAME LABEL	1	NN-C2003S YPQ
86	A01576E00QP	NAME LABEL	1	NN-C2003S QPQ
86	A01576E00JP	NAME LABEL	1	NN-C2003S JPG
86	A01576E00KU	NAME LABEL	1	NN-C2003S KUE
86	A01576E00ZP	NAME LABEL	1	NN-C2003S ZPE
86	A01574X70ST	NAME LABEL	1	NN-C2002W STM
86	A01574X70PT	NAME LABEL	1	NN-C2002W PTE
86	A01576E00PT	NAME LABEL	1	NN-C2003S PTE
86	A01576E00TT	NAME LABEL	1	NN-C2003S TTE
87	A02444X70QP	CAUTION LABEL	1	
88	A09254X70QP	CUSHION RUBBER C	1	
89	ANE0922000AQ	CUSHION RUBBER C	1	

3 DOOR ASSEMBLY

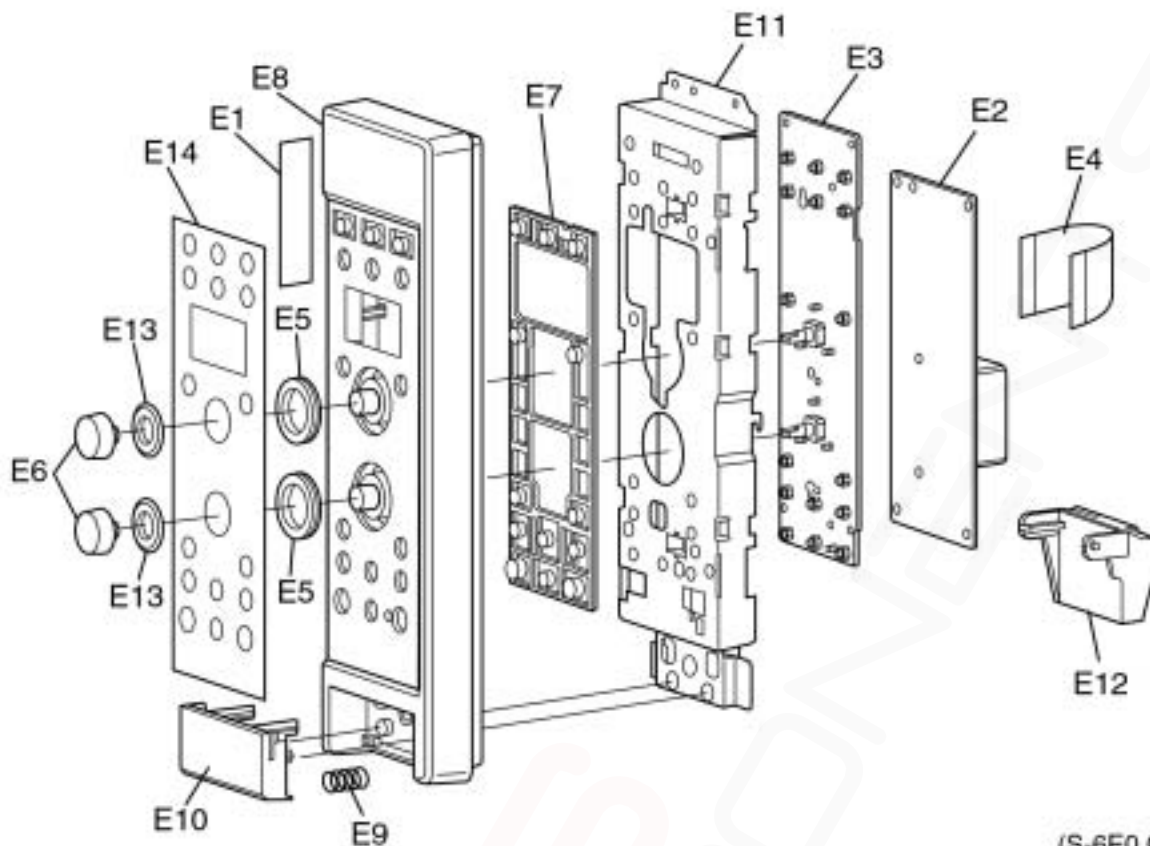


(S-6E0 QPQ)

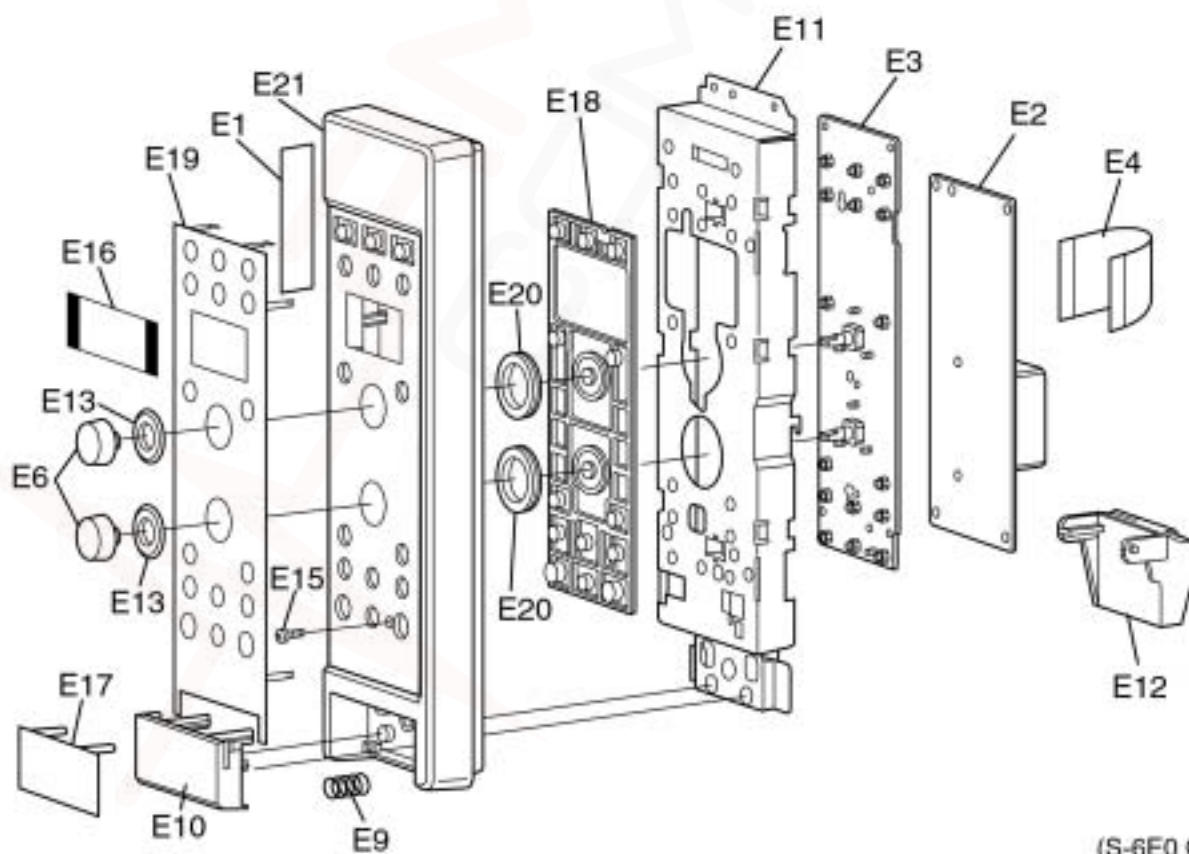
Ref.No.	part No.	Part Name & Description	Pcs/Set	Remarks
D1	ANE0245X00AP	DHHS LABEL	1	LPK
D1	A01726210JP	CAUTION LABEL	1	JPG
D2	XTVANE4+12FK	SCREW	4	4X12 (FOR DOOR C)
D2	XTVANE4+12FK	SCREW	4	4X12 (FOR DOOR C)
D3	A300B5450AP	UPPER HINGE	1	⚠
D4	A302K6660QP	DOOR E (U)	1	⚠
D5	A30186660QP	DOOR KEY A	1	
D6	A30214000AP	DOOR KEY SPRING	1	
D7	A30856660QP	DOOR C	1	⚠
D8	A302A6E00MP	DOOR A (U)	1	NN-C2003S TEP/YPQ/HPE/LPK/MPQ
D8	A302A6E00KP	DOOR A (U)	1	NN-C2003S KTE/KUE KPQ STM
D8	A302A6E00AP	DOOR A (U)	1	NN-C2003S JPG
D8	A302A6E00ZP	DOOR A (U)	1	NN-C2003S ZPE
D8	A302A4X70HKT	DOOR A (U)	1	NN-C2002W
D9	A33816E00AP	HEAT SHIELD PANEL	1	
D10	XTW3+8Q	SCREW	2	3X8 (FOR D9)

NOTE 1: Please order DHHS LABEL or CAUTION LABEL together.

4 ESCUTCHE BASE ASSEMBLY



(S-6E0 QPQ)



(S-6E0 QPQ)

Ref.No.	Part No.	Part Name & Description	Pcs/Set	Remarks
E1	A0284000MK	NUMBER LABEL	1	YPQ
E2	A603Y4X70OP	PC BOARD D (U)	1	QPQ
E3	A605Q4X70HN	PC BOARD D (U)	1	HPE (W/COMPONENT)
E3	A605Q4X70SN	PC BOARD D (U)	1	KTE/KUEM STM/PTE (W/COMPONENT)
E3	A605Q4X70KN	PC BOARD D (U)	1	KPQ (W/COMPONENT)
E3	A605Q4X70LN	PC BOARD D (U)	1	LPK (W/COMPONENT)
E3	A605Q4X70MN	PC BOARD D (U)	1	MPK (W/COMPONENT)
E3	A605Q4X70TN	PC BOARD D (U)	1	TPE/TTE (W/COMPONENT)
E3	A605Q4X70YN	PC BOARD D (U)	1	YPQ (W/COMPONENT)
E3	A605Q4X70QP	PC BOARD D (U)	1	QPQ (W/COMPONENT)
E3	A605Q4X70JP	PC BOARD D (U)	1	JPG (W/COMPONENT)
E3	A605Q4X70ZP	PC BOARD D (U)	1	ZPE (W/COMPONENT)
E4	A6616-1600	FLAT CABLE	1	
E5	A80094X70QP	INDICATOR A	1	NN-C2002W
E6	A80206E00AP	TIMER KNOB	2	NN-C2003S
E6	A80204X70HKT	TIMER KNOB	1	NN-C2002W
E7	A80244X70HKT	OPERATION BUTTON	1	NN-C2002W
E8	A80344X70HQP	ESCUTCHEON BASE	1	NN-C2002W (NOTE 2)
E9	ANE80378A0AG	SPRING	1	
E10	A80726E00AP	DOOR OPENIG BUTTON	1	NN-C2003S
E10	A80724X70HQP	DOOR OPENIG BUTTON	1	NN-C2002W
E11	A81274X70QP	BACK PANEL	1	NN-C2002W
E11	A81276E00AP	BACK PANEL	1	NN-C2003S
E12	A82569770AP	DOOR OPENIG LAVER	1	
E13	A82876E00AP	SPACER A	2	NN-C2003S
E13	A82874X70HKT	SPACER A	2	NN-C2002W
E14	A83374X70HKT	ESCUTCHEON SHEET	1	NN-C2002W
E15	A82516E00AP	LED CAP	1	NN-C2003S
E16	A80166E00AP	ESCUTCHEON B	1	NN-C2003S
E17	A80566E00AP	TRIM	1	NN-C2003S
E18	A80246E00AP	OPERATION BUTTON	1	NN-C2003S
E19	A80356E00QP	ESCUTCHEON SHEET	1	NN-C2003S QPQ/JPG
E19	A80356E00MP	ESCUTCHEON SHEET	1	NN-C2003S YPQ/TPE/HPE/TTE/LPK/MPQ
E19	A80356E00KP	ESCUTCHEON SHEET	1	NN-C2003S PTE/KTE/KUE/KPQ/STM
E19	A80356E00ZP	ESCUTCHEON SHEET	1	NN-C2003S ZPE
E20	A80096E00AP	INDICATOR A	1	NN-C2003S
E21	A80346E00AP	ESCUTCHEON BASE	1	NN-C2003S

NOTE 2: Please order NUMBER LABEL together.