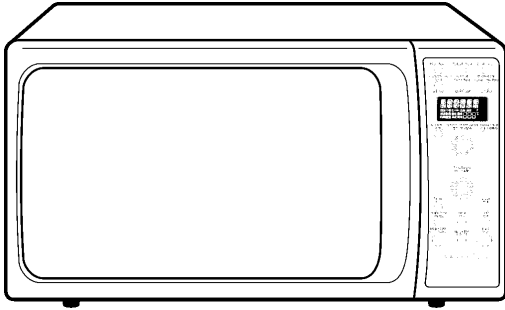


Service Manual

Microwave Oven



NN-C2000P
NN-C2000W

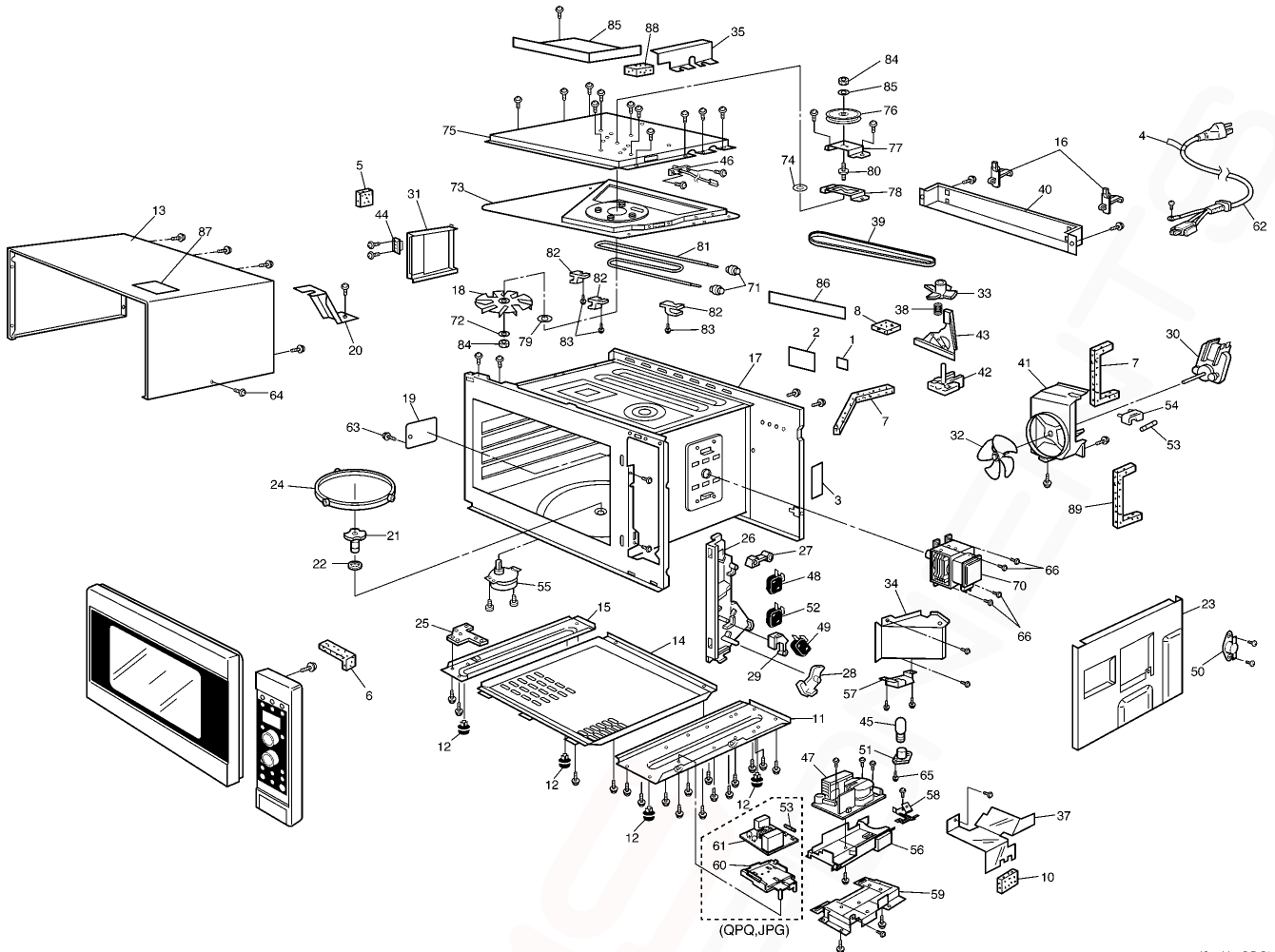
Specifications

Power Source:		240 V AC Single Phase, 50 Hz For QPQ, KNQ, MNQ, YNQ models 230 V AC Single Phase, 50 Hz For JPG model 220 V AC Single Phase, 50 Hz For HNE, TNE, KKE models 220-230 V AC Single Phase, 60 Hz For LNK model 220 V AC Single Phase, 50/60 Hz For SNM model
Power Requirement:	Microwave	1,220 W
	Heater	1,800 W
Output:	Microwave	1,000 W: Full Power (IEC 705-88)
	Heater	1,760 W
Microwave Frequency:		2,450 MHz
Timer:		99 min. 99 sec. / 9 hr. 99 min.
Outside Dimensions:		376 mm (H) X 611 mm (W) X 490 mm (D)
Oven Cavity Dimensions:		242 mm (H) X 412 mm (W) X 426 mm (D)
Weight:		Approx. 21 kg
Specifications subject to change without notice.		

National/Panasonic

© 2000 Matsushita Electric Industrial Co., Ltd. All rights reserved. Unauthorized copying and distribution is a violation of law.

13 EXPLODED VIEW AND PARTS LIST



(S-4X7 QPQ)

14 PARTS LIST

When ordering replacement part(s) please use part number(s) shown in this parts list.

Do not use description of the part.

Important safety notice:

Components identified by \triangle mark have special characteristics important for safety.

When replacing any of these components, use only manufacturer's specified parts.

Alphabet marks in Remarks columns (I. e. HNE etc.) indicate parts applicable to only specified country models as follows.

HNE: For Hong Kong, **JPG:** For New Zealand, **KKE:** For U.A.E., Egypt, Iran,

KNQ: For Kuwait, Doha, Qatar, Oman, Baharain, Pakistan, **LNK:** For Philippines,

MNQ: For Malaysia, **QPQ:** For Australia, **SNM:** For Saudi Arabia,

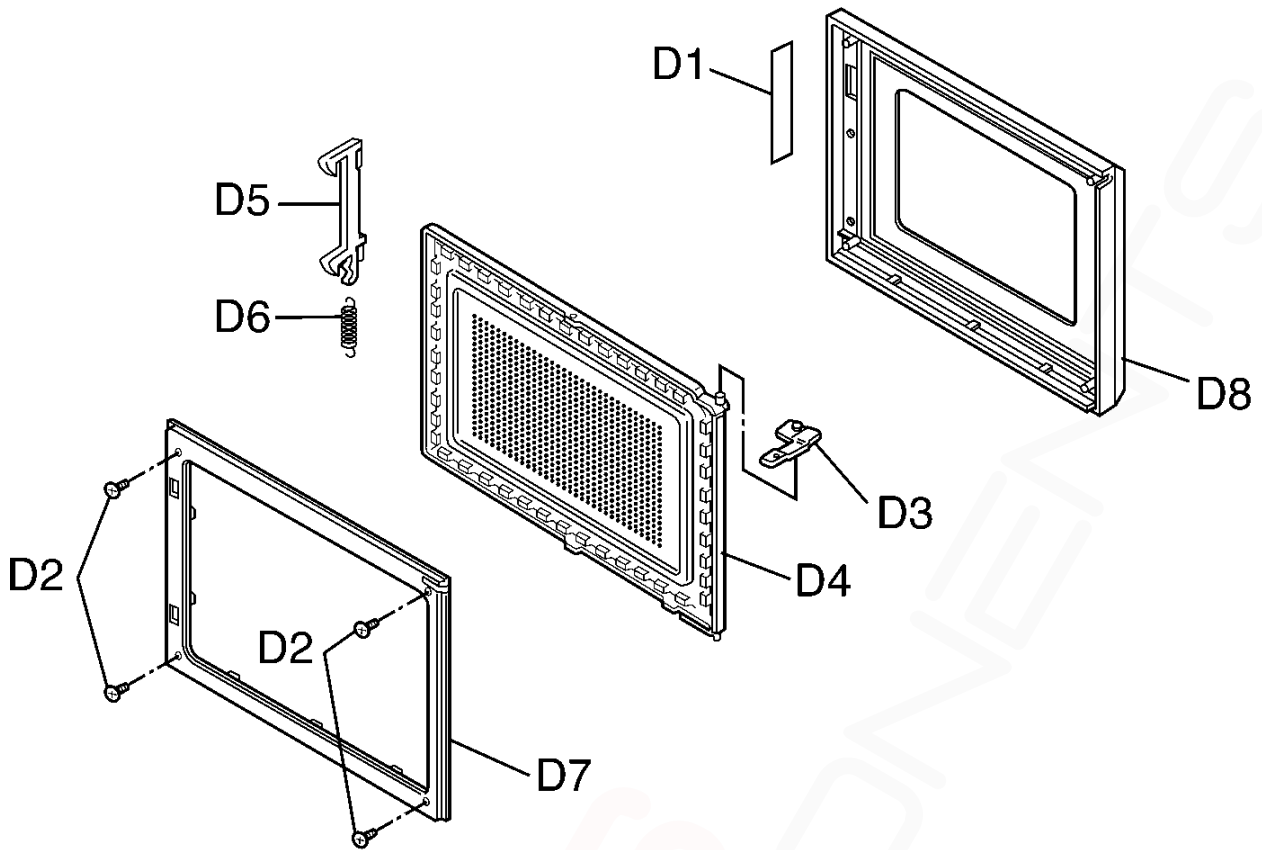
TNE: For Thailand, Indonesia, **YNQ:** For Singapore

Parts without these marks can be used for all models.

Ref. No.	Part No.	Part Name & Description	Pcs/ Set	Remarks
1	ANE00057J0XN	EARTH LABEL	1	NN-C2000P TNE
2	A00065460JP	CAUTION LABEL	1	
2	A00065540MN	CAUTION LABEL	1	NN-C2000P YNQ
3	ANE0033730GN	FUSE LABEL	1	NN-C2000P
4	ANE0239L00XN	CORD LABEL	1	NN-C2000P KKE/KNQ/SNM
5	ANE0902000CA	CUSHION RUBBER A	1	
6	ANE0921000BK	CUSHION RUBBER C	1	
7	ANE0924000AQ	CUSHION RUBBER C	1	
7	ANE0924000AQ	CUSHION RUBBER C	1	
8	ANE0922000DD	CUSHION RUBBER C	1	
9	ANE0902000AV	CUSHION RUBBER A	1	
10	ANE0924000GE	CUSHION RUBBER C	1	
11	A10014X00AP	BASE	1	
12	ANE1008-3W0	RUBBER FOOT	4	
12	ANE1008-3W0	RUBBER FOOT	4	
12	ANE1008-3W0	RUBBER FOOT	4	
12	ANE1008-3W0	RUBBER FOOT	4	
13	A10094X70GMN	CABINET BODY	1	NN-C2000P
13	A10094X70HQP	CABINET BODY	1	NN-C2000W
14	A10266660QP	BASE C	1	
15	A11294X00AP	BASE B	1	
16	A11406660QP	STOPPER	2	
16	A11406660HMK	STOPPER	2	NN-C2000P YNQ
17	A200A4X00AP	OVEN	1	\triangle
18	ANE22392L0AP	CIRCULATION FAN	1	
19	A20554X00AP	COVER	1	
20	A20764X00AP	REINFORCE BRACKET C	1	
21	A21315870GP	PULLEY SHAFT	1	
22	ANE2177-F80	WASHER	1	
23	A22365450AP	RIGHT HEATER PANEL	1	
24	A290D4J00XN	ROLLER RING (U)	1	
25	A30076660QP	LOWER HINGE	1	\triangle
26	A3020-1200	DOOR HOOK A	1	\triangle
27	A3136-1200	HOOK SPACER A	1	
28	A31374650AP	HOOK SPACER B	1	
29	A31384650AP	HOOK SPACER C	1	
30	A400A5500QP	FAN MOTOR	1	NN-C2000P HNE/KKE/KNQ/MNQ/SNM/TNE/YNQ NN-C2000W (24.8W)
30	A400A4000LN	FAN MOTOR	1	NN-C2000P LNK (26W)
31	A400K5040AQ	EXHAUST GUIDE	1	
32	ANE40086W0AP	FAN	1	
33	A40085020AQ	FAN	1	
34	A40256660QP	AIR GUIDE A	1	
35	A40264X00AP	AIR GUIDE B	1	
36	A40306660QP	AIR GUIDE D	1	
37	A40474X00AP	AIR GUIDE E	1	
38	ANE4057-F50	SPRING	1	
39	A40606660QP	BELT	1	
40	A41206660QP	EXHAUST COVER	1	
41	A41446660SN	ORIFICE	1	
42	A41799190QP	HEATER FAN MOTOR	1	NN-C2000P HNE/KKE/KNQ/MNQ/TNE/YNQ NN-C2000W (16W)
42	A41795080BP	HEATER FAN MOTOR	1	NN-C2000P LNK/SNM (35/33.5W)
43	A41804X00AP	HEATER FAN MOTOR BRACKET	1	
44	A601L4780AP	HUMIDITY SENSOR	1	

Ref. No.	Part No.	Part Name & Description	Pcs/ Set	Remarks
45	A60304080BP	INCANDESCENT LAMP	1	(20W/240V)
46	A605A4X70QP	THERMISTOR	1	
47	A606Y4V00GP	H.V.INVERTER (U)	1	△
48	ANE6142-F60	MICRO SWITCH	2	△(V-15G-3C26-1) (PRIMARY)
49	A61425180AP	MICRO SWITCH	2	△(L-3C2-2) (SECONDARY)
50	A61456670AP	THERMAL CUTOUT	1	△
51	A61524650AP	SOCKET	1	
52	A61785180AP	MICRO SWITCH	2	△(L-2C2-2) (SHORT SW)
53	A62304210BP	FUSE	1	△(10A/250V)
53	A62304210BP	FUSE	1	△(10A/250V)
54	A62314000AP	FUSE HOLDER	1	NN-C2000P
55	A63266660HN	TURNTABLE MOTOR	1	NN-C2000P HNE/KKE/LNK/SNM/TNE (3.3W)
55	A63265850QP	TURNTABLE MOTOR	1	NN-C2000P KNQ/MNQ/YNQ NN-C2000W (2.5W)
56	A6585-1B10	P.C.B.HOLDER A	1	
57	A66036000BP	OVEN LAMP BRACKET	1	
58	A6662-1880	EARTH SPACER	1	
59	A67634X00AP	P.C.B.HOLDER B	1	
60	A67974X00CP	P.C.B.HOLDER C	1	NN-C2000W
61	A692Y4T00QP	NOISE FILTER (U)	1	NN-C2000W
62	A900C6660HN	AC CORD W/PLUG	1	△NN-C2000P HNE (220-240V)
62	A900C5450MK	AC CORD W/PLUG	1	△NN-C2000P KKE/KNQ/MNQ/YNQ (220-240V)
62	A900C6240CP	AC CORD W/PLUG	1	△NN-C2000P LNK (230-240V)
62	A900C9770SN	AC CORD W/PLUG	1	△NN-C2000P SNM (220-240V)
62	A900C5450TN	AC CORD W/PLUG	1	△NN-C2000P TNE (220V)
62	A900C6660JP	AC CORD W/PLUG	1	△NN-C2000W (240V)
63	XST4+5VS	SCREW	1	4X5 (FOR COVER)
64	XTT4+8RDN	SCREW	1	4X8 (FOR CABINET BODY)
65	XTWANE3+10S4	SCREW	1	3X10 (FOR LAMP SOCKET)
66	XTWANE4+10RU	SCREW	4	4X10 (FOR MAGNETRON)
66	XTWANE4+10RU	SCREW	4	4X10 (FOR MAGNETRON)
67	XTWA3+8CF	SCREW	1	3X8 (FOR INVERTER EARTH)
68	XTW3+18B	SCREW	4	
69	XYD4+EE12F	SCREW	1	4X12 (FOR EARTH)
70	2M236-M1G	MAGNETRON	1	△
71	ANE6501-C41	HEATER HOLDER C	2	
72	XWS4VL	WASHER	2	
73	A21446660QP	UPPER PANEL	1	
74	A21776660QP	WASHER	1	
75	A22784X00AP	UPPER HEATER PANEL	1	
76	A41325020AQ	PULLEY B	1	
77	A41575450AP	FAN BRACKET A	1	
78	A41585450AP	FAN BRACKET B	1	
79	A41635020AQ	FAN SPACER C	1	
80	A40086660QP	SHAFT U	1	
81	A630G6660QP	HEATER A	1	NN-C2000P MNQ/YNQ/KNQ NN-C2000W QPQ
81	A630G6660HN	HEATER A	1	NN-C2000P HNE/LNK/TNE/SNM/KKE
81	A630G6660JP	HEATER A	1	NN-C2000W JPG
82	A64175130AP	HEATER SUPPORT	3	
82	A64175130AP	HEATER SUPPORT	3	
82	A64175130AP	HEATER SUPPORT	3	
83	XTWANE35+14N	SCREW	3	3.5X14 (FOR HEATER SUPPORT)
83	XTWANE35+14N	SCREW	3	3.5X14 (FOR HEATER SUPPORT)
84	XNG4EVS	NUT	2	
84	XNG4EVS	NUT	2	
85	A41074X70QP	EXHAUST GUIDE B	1	
85	A41074X70QP	EXHAUST GUIDE B	1	
86	A01574X70HN	NAME LABEL	1	NN-C2000P HNE
86	A01574X70KK	NAME LABEL	1	NN-C2000P KKE
86	A01574X70KN	NAME LABEL	1	NN-C2000P KNQ
86	A01574X70LN	NAME LABEL	1	NN-C2000P LNK
86	A01574X70MN	NAME LABEL	1	NN-C2000P MNQ
86	A01574X70SN	NAME LABEL	1	NN-C2000P SNM
86	A01574X70TN	NAME LABEL	1	NN-C2000P TNE
86	A01574X70YN	NAME LABEL	1	NN-C2000P YNQ
86	A01574X70QP	NAME LABEL	1	NN-C2000P QPQ
86	A01574X70JP	NAME LABEL	1	NN-C2000P JPG
87	A02444X70QP	CAUTION LABEL	1	
88	A09254X70QP	CUSHION RUBBER C	1	
89	ANE0922000AQ	CUSHION RUBBER C	1	

15 DOOR ASSEMBLY

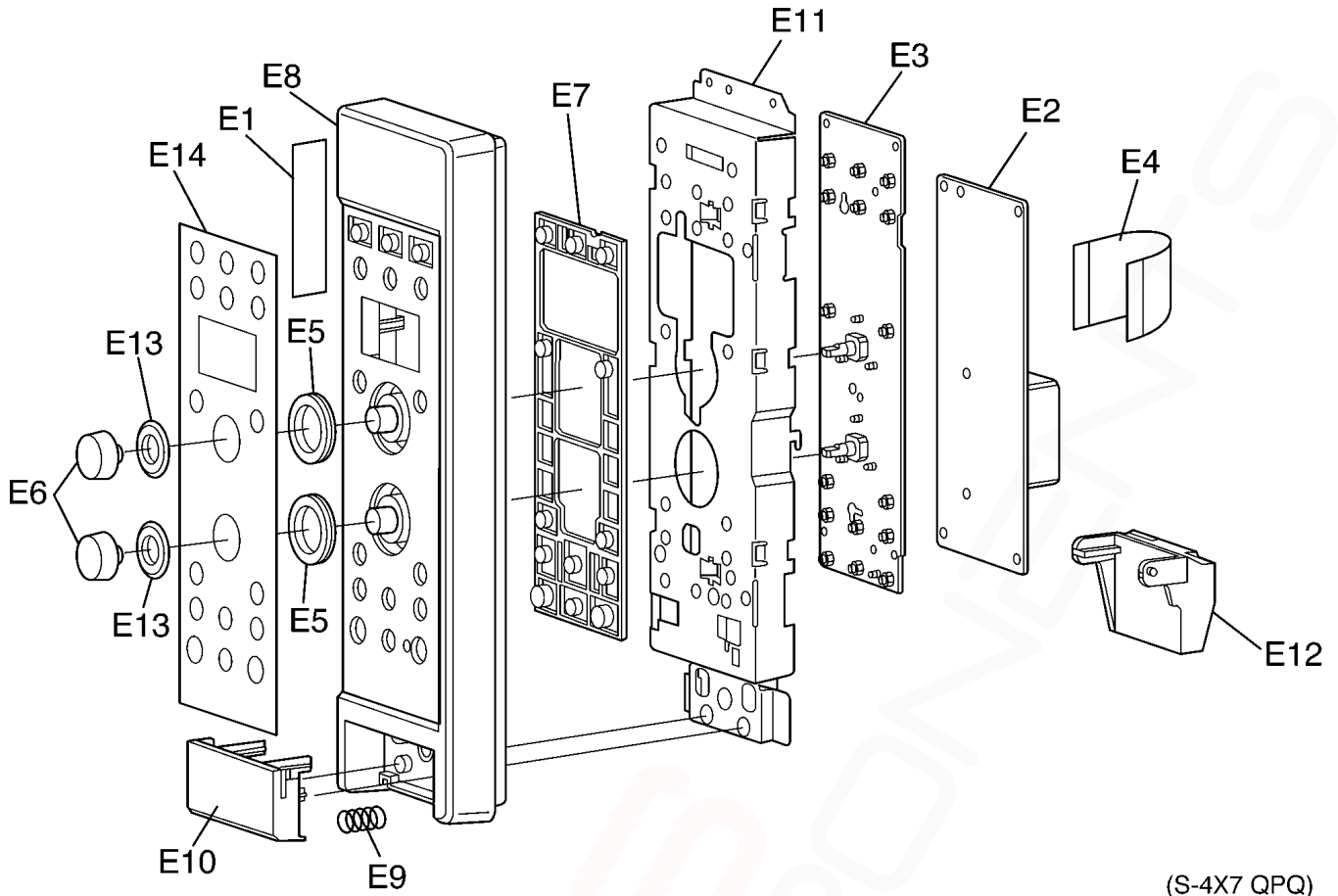


(S-4X7 QPQ)

Ref. No.	Part No.	Part Name & Description	Pcs/ Set	Remarks
D1	ANE0245X00AP	DHHS LABEL	1	NN-C2000P LNK
D1	A01726210JP	CAUTION LABEL	1	NN-C2000W JPG
D2	XTBANE4+12FK	SCREW	4	4X12 (FOR DOOR C)
D2	XTBANE4+12FK	SCREW	4	4X12 (FOR DOOR C)
D3	A300B5450AP	UPPER HINGE	1	△
D4	A302K6660QP	DOOR E(U)	1	△
D5	A30186660QP	DOOR KEY A	1	
D6	A30214000AP	DOOR KEY SPRING	1	
D7	A30856660QP	DOOR C	1	△
D8	A302A4X70GMN	DOOR A (U)	1	NN-C2000P HNE/LNK/MNQ/TNE/YNQ (NOTE 1)
D8	A302A4X70GKN	DOOR A (U)	1	NN-C2000P KKE/KNQ/SNM (NOTE 1)
D8	A302A4X70HQP	DOOR A (U)	1	NN-C2000W QPQ (NOTE 1)

NOTE 1: Please order DHHS LABEL or CAUTION LABEL together.

16 ESCUTCHEON BASE ASSEMBLY



(S-4X7 QPQ)

Ref. No.	Part No.	Part Name & Description	Pcs/Set	Remarks
E1	A02840000MK	NUMBER LABEL	1	NN-C2000P YNQ
E2	A603Y4X70QP	PC BOARD D (U)	1	NN-C2000P NN-C2000W QPQ
E3	A605Q4X70HN	PC BOARD F (U)	1	NN-C2000P HNE (W/COMPONENT)
E3	A605Q4X70SN	PC BOARD F (U)	1	NN-C2000P KKE/SNM (W/COMPONENT)
E3	A605Q4X70KN	PC BOARD F (U)	1	NN-C2000P KNQ (W/COMPONENT)
E3	A605Q4X70LN	PC BOARD F (U)	1	NN-C2000P LNK (W/COMPONENT)
E3	A605Q4X70MN	PC BOARD F (U)	1	NN-C2000P MNQ (W/COMPONENT)
E3	A605Q4X70TN	PC BOARD F (U)	1	NN-C2000P TNE (W/COMPONENT)
E3	A605Q4X70YN	PC BOARD F (U)	1	NN-C2000P YNQ (W/COMPONENT)
E3	A605Q4X70QP	PC BOARD F (U)	1	NN-C2000W QPQ (W/COMPONENT)
E3	A605Q4X70JP	PC BOARD F (U)	1	NN-C2000W JPG (W/COMPONENT)
E4	A6590-3280	FLAT CABLE	1	
E5	A80094X70QP	INDICATOR A	1	
E5	A80094X70QP	INDICATOR A	1	
E6	A80204X70QP	TIMER KNOB	2	
E7	A80244X70QP	OPERATION BUTTON	1	
E8	A80344X70GMN	ESCUTCHEON BASE	1	NN-C2000P (NOTE 2)
E8	A80344X70HQP	ESCUTCHEON BASE	1	NN-C2000W (NOTE 2)
E9	ANE80378A0AG	SPRING	1	
E10	A80724X70GMN	DOOR OPENING BUTTON	1	NN-C2000P
E10	A80724X70HQP	DOOR OPENING BUTTON	1	NN-C2000W
E11	A81274X70QP	BACK PANEL	1	
E12	A82569770AP	DOOR OPENING LEVER	1	
E13	A82874X70QP	SPACER A	2	
E13	A82874X70QP	SPACER A	2	
E14	A83374X70GMN	ESCUTCHEON SHEET	1	NN-C2000P HNE/LNK/MNQ/TNE/YNQ
E14	A83374X70GKN	ESCUTCHEON SHEET	1	NN-C2000P KKE/KNQ/SNM
E14	A83374X70HQP	ESCUTCHEON SHEET	1	NN-C2000W

NOTE 2: Please order NUMBER LABEL together.