

Service Manual

Microwave Oven

INVERTER

NN-A883WBQPQ
NN-A813ABQPQ
NN-A873SBQPQ



Specification

Power Source	240VAC Single Phase 50Hz
Power Requirements	Micro : 1300W Grill: 1560W Convection: 1330W Combination: 2480W
Output (IEC705-88)	Micro : 1000W Grill: 1400W Convection: 1200W
Microwave Frequency	2450Mz
Timer	99 Minutes 99 Seconds
Oven Cavity Size	32L
Outside Dimensions	530mm (W) x 508mm (D) x 344mm(H)
Inside Dimensions	350mm (W) x 360mm (D) x 250mm(H)
Weight	20.5Kg
Specifications subject to change without notice	

⚠ WARNING

This service information is designed for experienced repair technicians only and is not designed for use by the general public. It does not contain warnings or cautions to advise non-technical individuals of potential dangers in attempting to service a product. Products powered by electricity should be serviced or repaired only by experienced professional technicians. Any attempt to service or repair the product or products dealt with in this service information by anyone else could result in serious injury or death.

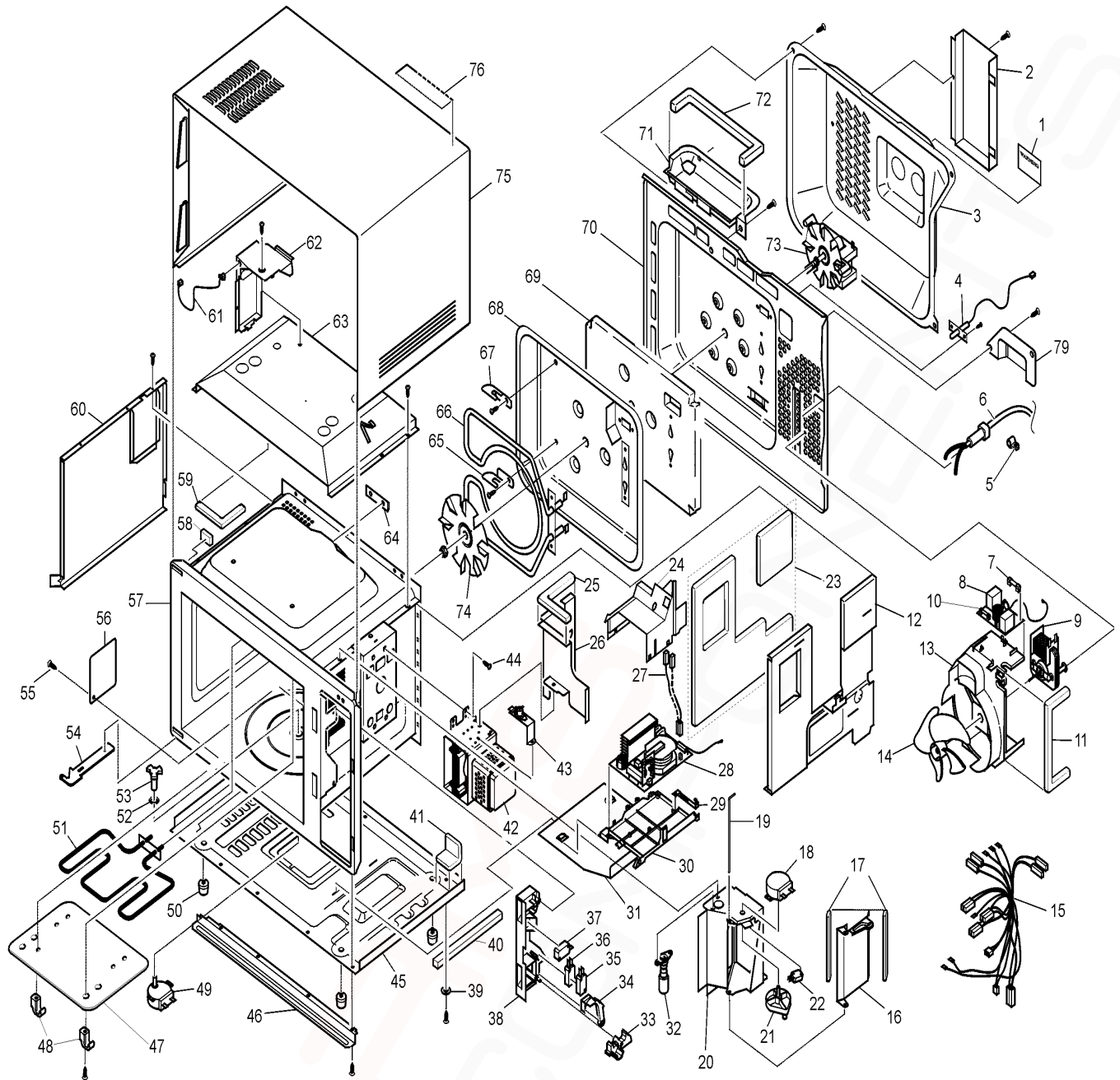
IMPORTANT SAFETY NOTICE

There are special components used in this equipment which are important for safety. These parts are marked by ⚠ in the Schematic Diagrams, Circuit Board Diagrams, Exploded Views and Replacement Parts List. It is essential that these critical parts should be replaced with manufacturer's specified parts to prevent shock, fire or other hazards. Do not modify the original design without permission of manufacturer.

Panasonic®

© 1995 Matsushita Electric Industrial Co., Ltd. All rights reserved. Unauthorized copying and distribution is a violation of law.

14 Exploded View



15 Main Parts List

1. Part numbers are indicated on most mechanical parts. Please use these part numbers for part orders. Do not use the description of the part.

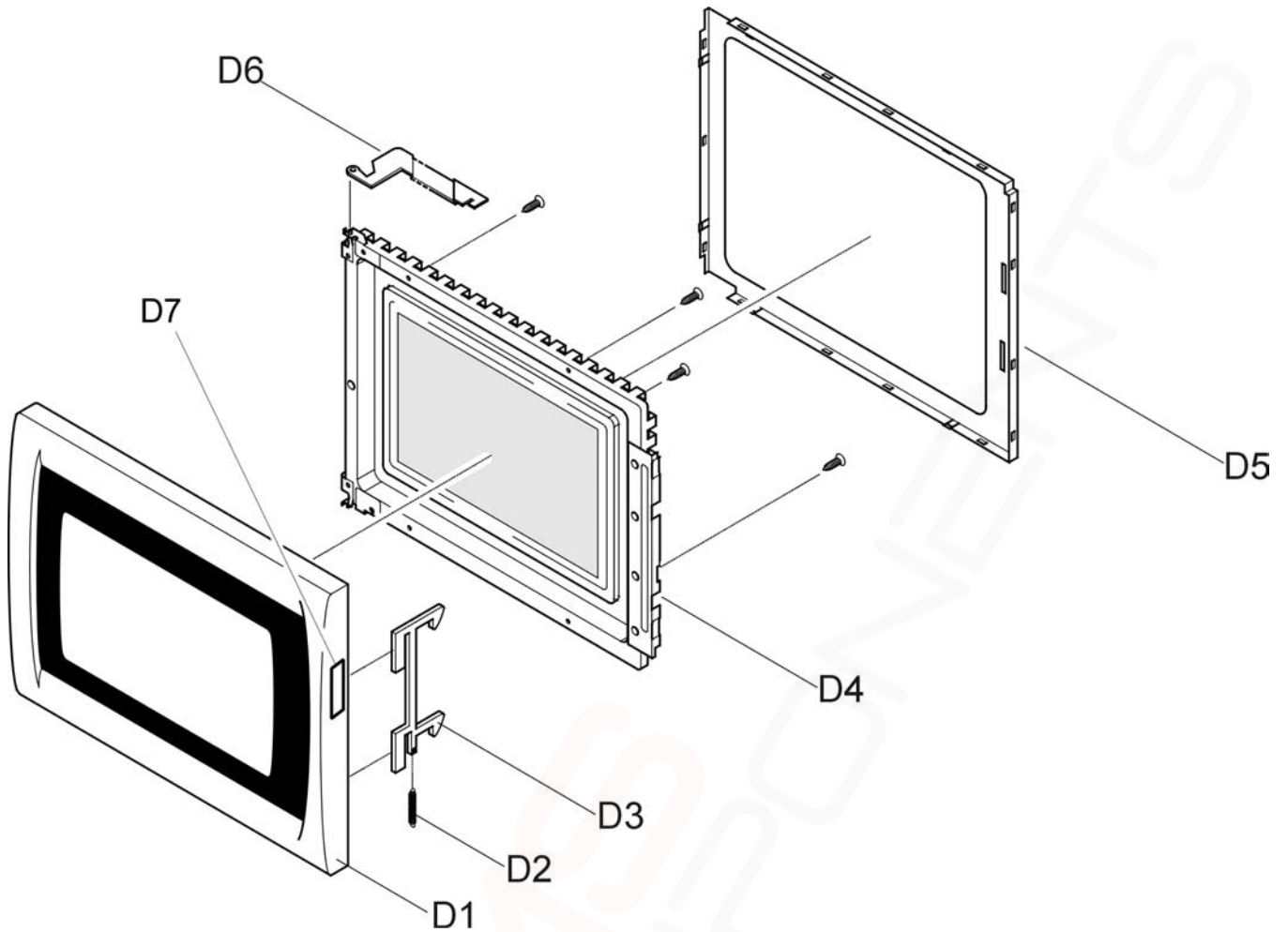
Important safety notice

1. Components identified by ! mark have special characteristics important for safety. When replacing any of these components, use only the manufacturers specified

Ref. No.		Part No.	Part Name & Description	Qty	Remarks
1	(!)	E00064080BP	WARNING LABEL	1	
2		E41199000GP	EXHAUST GUIDE D	1	
3		E10589000BP	BACK PANEL COVER	1	
4	(!)	E605A4V20BP	THERMISTER	1	
5		AEE9108A20GN	HOLDER (P CLIP)	1	
6		E901C6A60QP	POWER CORD SUPPLY	1	
7	(!)	E67597550GP	FUSE 10A	1	
8	(!)	E607X4V20BP	NOISE FILTER	1	
9	(!)	E400A4760JP	FAN MOTOR	1	
10	(!)	AEE6230P10GN	FUSE 16A	1	
11		E09020000AP	CUSHION RUBBER	1	
12		E22369000BP	RIGHT HEATER PANEL	1	
13		E41444V20GP	ORIFICE	1	
14		E40086430GP	FAN	1	
15	(!)	E030A4V20BP	LEAD WIRE	1	
16		E41739000GP	SHUTTER FLAP	1	
17		E09620000AH	CUSHION RUBBER	2	
18	(!)	E63268960JP	MOTOR	1	
19		E41749000BP	SHUTTER PIN	1	
20		E400E9000BP	AIR GUIDE	1	
21		E48236750BP	CAM A	1	
22	(!)	E61425180AP	SHUTTER SWITCH	1	
23		E22439000BP	ADIABATIC MATERIAL A	1	
24		E40474V00BP	AIR GUIDE E	1	
25		E09020000AK	CUSHION RUBBER	1	
26		E40309000GP	AIR GUIDE D	1	
27	(!)	E030E4V20BP	HV LEAD WIRE	1	
28	(!)	E606Y4V20GP	INVERTER	1	
29		E66014V00GP	INVERTER EARTH BRACKET	1	
30		E65854V00BP	INVERTER SUPPORT BRACKET	1	
31		E01214V20BP	ADAPTOR PLATE	1	
32	(!)	E610T6700BP	OVEN LAMP	1	
33		E31374830AP	HOOK SPACER B	1	
34		E31384830AP	HOOK SPACER C	1	
35	(!)	E61425180AP	SECONDARY LATCH SWITCH	1	
36	(!)	E61785180AP	SHORT SWITCH	1	
37	(!)	AEE6142-1450	PRIMARY SWITCH	1	
38		E30208000BP	DOOR HOOK A	1	
39		E11088020BP	FIBRE WASHER	4	
40		E09020000AL	CUSHION RUBBER	1	
41		E09020000ED	CUSHION RUBBER	1	
42	(!)	2M236-M1G	MAGNETRON	1	
43		E610U9000BP	THERMAL CUTOUT ASSY	1	
44		XTT4+11JN	SCREW	4	
45		E10019000GP	BASE PLATE	1	
46		E16079000BP	DRIP TRAY	1	
47		E21449000BP	SELF CLEAN.PANEL	1	
48		AEE6418Z70BP	HEATER SUPPORT	2	
49	(!)	E63268960JP	TURNTABLE MOTOR	1	
50		AEE1008-5S1	RUBBER FOOT	4	
51	(!)	E630G9000BP	GRILL HEATER	1	
52		AEE2177-F80	PULLEY SHAFT WASHER	1	
53		E21315870GP	PULLEY SHAFT	1	
54		E30076700AP	HINGE B	1	
55		XST3+W5v	SCREW	1	
56		E20559000BP	COVER A	1	
57		E200A6A50BP	OVEN CAVITY	1	
58		E09030000CD	CUSHION RUBBER	1	

Ref. No.		Part No.	Part Name & Description	Qty	Remarks
59		E22589000BP	ADIABATIC MATERIAL	1	
60		E22379000BP	LEFT HEATER PANEL	1	
61	(!)	E030H9000BP	HUMIDITY SENSOR	1	
62		E40249000GP	EXHAUST GUIDE A	1	
63		E202N9000BP	UPPER HEATER COVER	1	
64		E64179000BP	HEATER BRACKET A	1	
65		E67579000BP	HEATER BRKT D	1	
66	(!)	E630H9000BP	CONVECTION HEATER	1	
67		E64189000BP	HEATER BRACKET B	1	
68		E607F9000BP	HEATER COVER	1	
69		E22429000BP	ADIABATIC MATERIAL	1	
70		E20339000BP	HEATER COVER B	1	
71		E41079000GP	EXHAUST GUIDE B	1	
72		E09230000AQ	CUSHION RUBBER	1	
73	(!)	E490S8020GP	CONV MOTOR	1	
74		E22399000BP	CIRCUALTION FAN	1	
75		E110D4V30HBP	OUTER PANEL	1	
76		E01507560BP	WARNING LABEL	1	

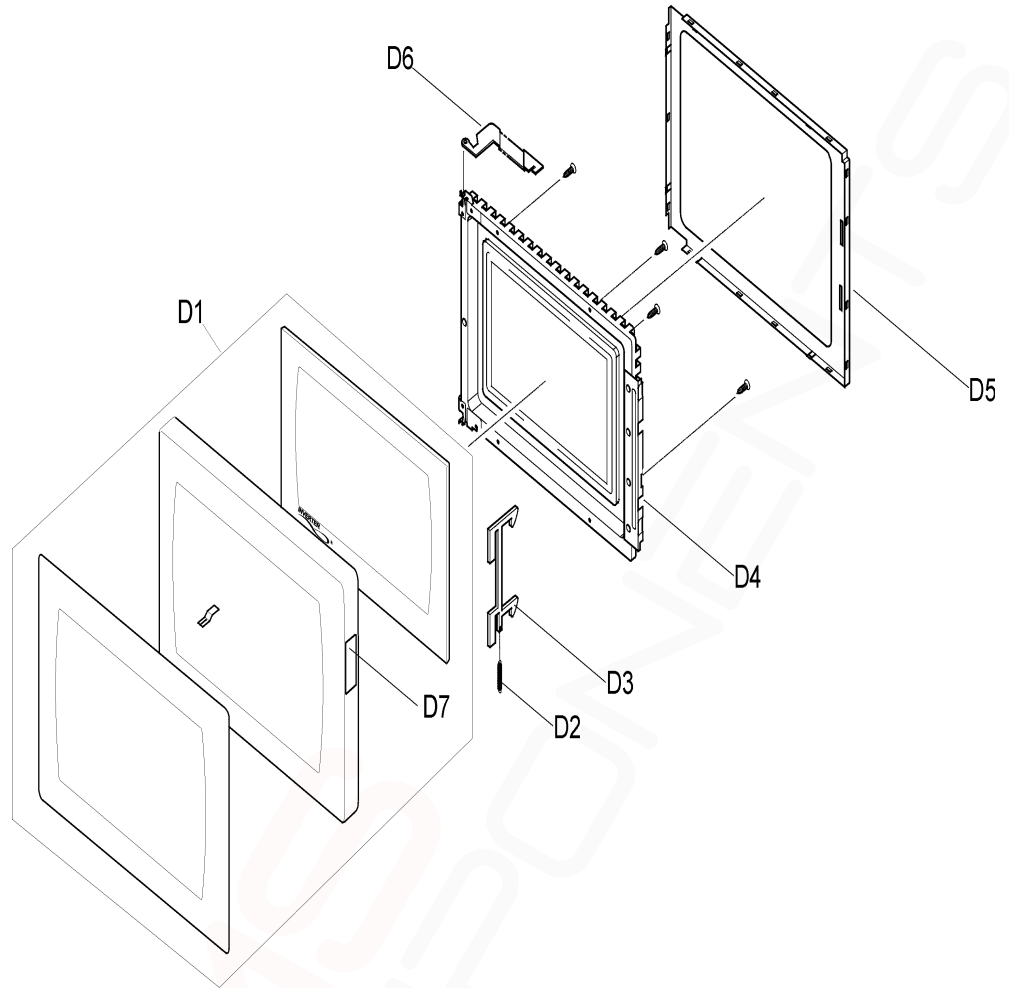
16 Door Assembly (NN-A883WB)



Ref. No.		Part No.	Part Name & Description	Qty	Remarks
D1		E302A6A50HEP	DOOR A ASSEMBLY	1	
D2		E30214000AP	DOOR KEY SPRING	1	
D3		E30188000BP	DOOR KEY A	1	
D4	(!)	E302K9000BP	DOOR E	1	
D5		E30859000BP	DOOR C	1	
D6		E30067300AP	HINGE	1	
D7		E01726A60QP	CAUTION LABEL	1	

When ordering any door component also order door C, this part may become damaged during disassembly of the door.

17 Door Assembly (NN-A873SB NN-A813AB)



17.1. NN-A813AB

Ref. No.	Part No.	Part Name & Description	Qty	Remarks
D1	E302A6A50AEP	DOOR A ASSEMBLY	1	
D2	E30214000AP	DOOR KEY SPRING	1	
D3	E30188000BP	DOOR KEY A	1	
D4	(1) E302K9000BP	DOOR E	1	
D5	E30859000BP	DOOR C	1	
D6	E30067300AP	HINGE	1	
D7	E01726A60QP	CAUTION LABEL	1	

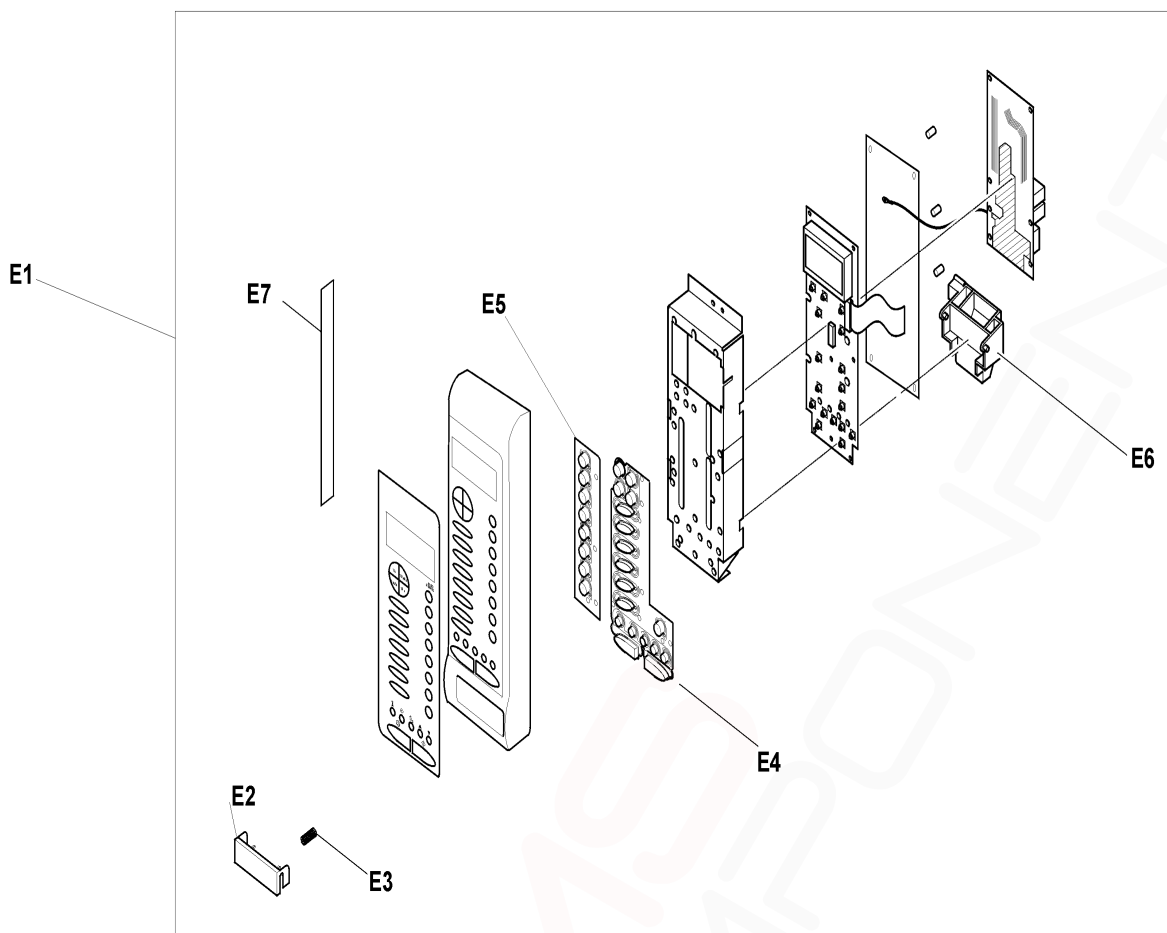
When ordering any door component also order door C, this part may become damaged during disassembly of the door.

17.2. NN-A873SB

Ref. No.	Part No.	Part Name & Description	Qty	Remarks
D1	E302A6A50SEP	DOOR A ASSEMBLY	1	
D2	E30214000AP	DOOR KEY SPRING	1	
D3	E30188000BP	DOOR KEY A	1	
D4	(1) E302K9000BP	DOOR E	1	
D5	E30859000BP	DOOR C	1	
D6	E30067300AP	HINGE	1	
D7	E01726A60QP	CAUTION LABEL	1	

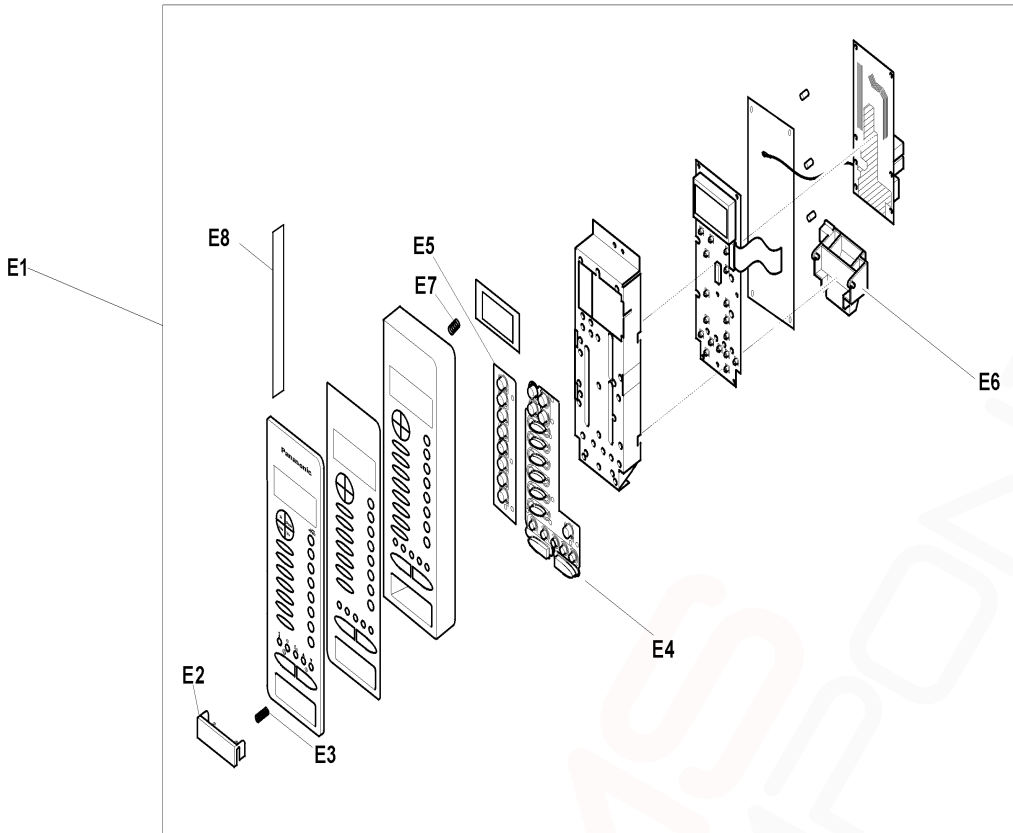
When ordering any door component also order door C, this part may become damaged during disassembly of the door.

18 Escutcheon base (NN-A883WB)



Ref. No.	Part No.	Part Name & Description	Qty	Remarks
E1	(1) E890L6A50HQP	Escutcheon base assembly	1	
E2	E80726A50HBP	Door opening button	1	
E3	E80375K00AP	Door opening button spring	1	
E4	E80256A50HBP	Operating Button B	1	
E5	E80246A50HBP	Operating button A	1	
E6	E82566A50BP	Door Opening Lever	1	
E7	E00076A50HQP	Name Plate	1	

19 Escutcheon Base (NN-A873SB NN-A813AB)



19.1. NN-A873SB

Ref. No.	Part No.	Part Name & Description	Qty	Remarks
E1	(1) E890L6A50SQP	Escutcheon base assembly	1	
E2	E80726A50SBP	Door opening button	1	
E3	E80375K00AP	Door opening button spring	1	
E4	E80246A50SBP	Operation Button A	1	
E5	E80256A50SBP	Operation Button B	1	
E6	E82566A50BP	Door Opening Lever	1	
E7	E80876B20ABP	Earth spring	1	
E8	E00076A50SQP	Name plate	1	

19.2. NN-A813AB

Ref. No.	Part No.	Part Name & Description	Qty	Remarks
E1	(1) E890L6A50AQP	Escutcheon base assembly	1	
E2	E80726A50SBP	Door opening button	1	
E3	E80375K00AP	Door opening button spring	1	
E4	E80246A50SBP	Operation Button A	1	
E5	E80256A50ABP	Operation Button B	1	
E6	E82566A50BP	Door Opening Lever	1	
E7	E80876B20ABP	Earth Spring	1	
E8	E00076A50AQP	Name plate	1	

NOTE 1: If the part you need is not numbered in the exploded view, order E1 the complete assembly.

NOTE 2: When ordering a new Escutcheon base assembly (E1), also order a nameplate (E5). Copy the model number and serial number of the microwave oven onto the new name plate. Fix the new name plate to the new escutcheon base assembly.

NOTE 3: When replacing a metal escutcheon assembly, fit the earth spring to earth the metal facia to the metal back plate.