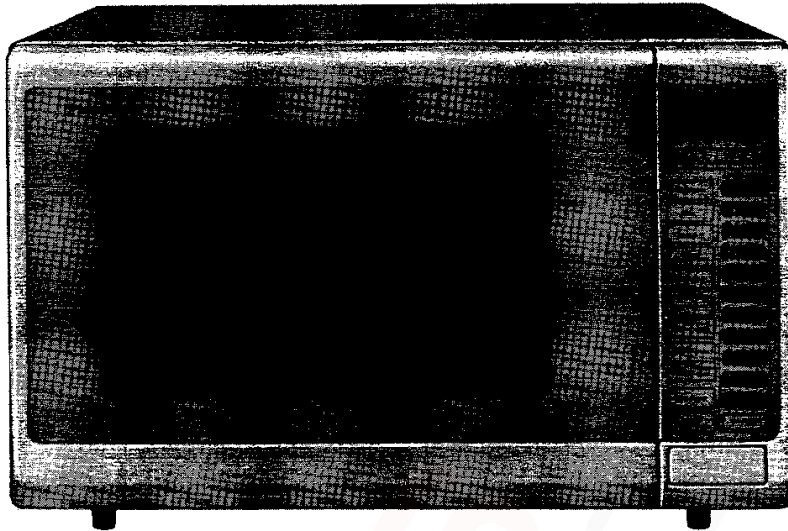


# Service Manual

Microwave Oven  
**NN-9853**



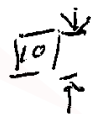
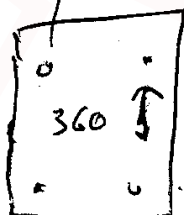
## Specifications

|                          | QPQ, MNQ<br>MKQ, KNQ   | JPG                                | VPE, HNE<br>TNE, KKE               | LNK                               | SNM                                  |
|--------------------------|--|------------------------------------|------------------------------------|-----------------------------------|--------------------------------------|
| Power Source :           | 240 V AC<br>Single Phase<br>50 Hz                              | 230 V AC<br>Single Phase<br>50 Hz  | 220 V AC<br>Single Phase<br>50 Hz  | 220 V AC<br>Single Phase<br>60 Hz | 220 V AC<br>Single Phase<br>50/60 Hz |
| Power Requirement :      | Microwave : 1,580 W (6.8 A)<br>Heater : 1,800 W (7.5 A)        | 1,580 W (7.0 A)<br>1,800 W (7.8 A) | 1,580 W (7.4 A)<br>1,800 W (8.2 A) |                                   |                                      |
| Output :                 | Microwave : 900 W: Full power (IEC 705-88)<br>Heater : 1,760 W |                                    |                                    |                                   |                                      |
| Microwave Frequency :    | 2,450 MHz  |                                    |                                    |                                   |                                      |
| Timer :                  | 99 min. 99 sec./9 hr. 99 min.                                  |                                    |                                    |                                   |                                      |
| Outside Dimensions :     | 606 mm (W) X 491 mm (D) X 376 mm (H)                           |                                    |                                    |                                   |                                      |
| Oven Cavity Dimensions : | 412 mm (W) X 426 mm (D) X 244 mm (H)                           |                                    |                                    |                                   |                                      |
| Weight :                 | Approx. 26 kg  |                                    |                                    |                                   |                                      |

Specifications subject to change without notice.

9853

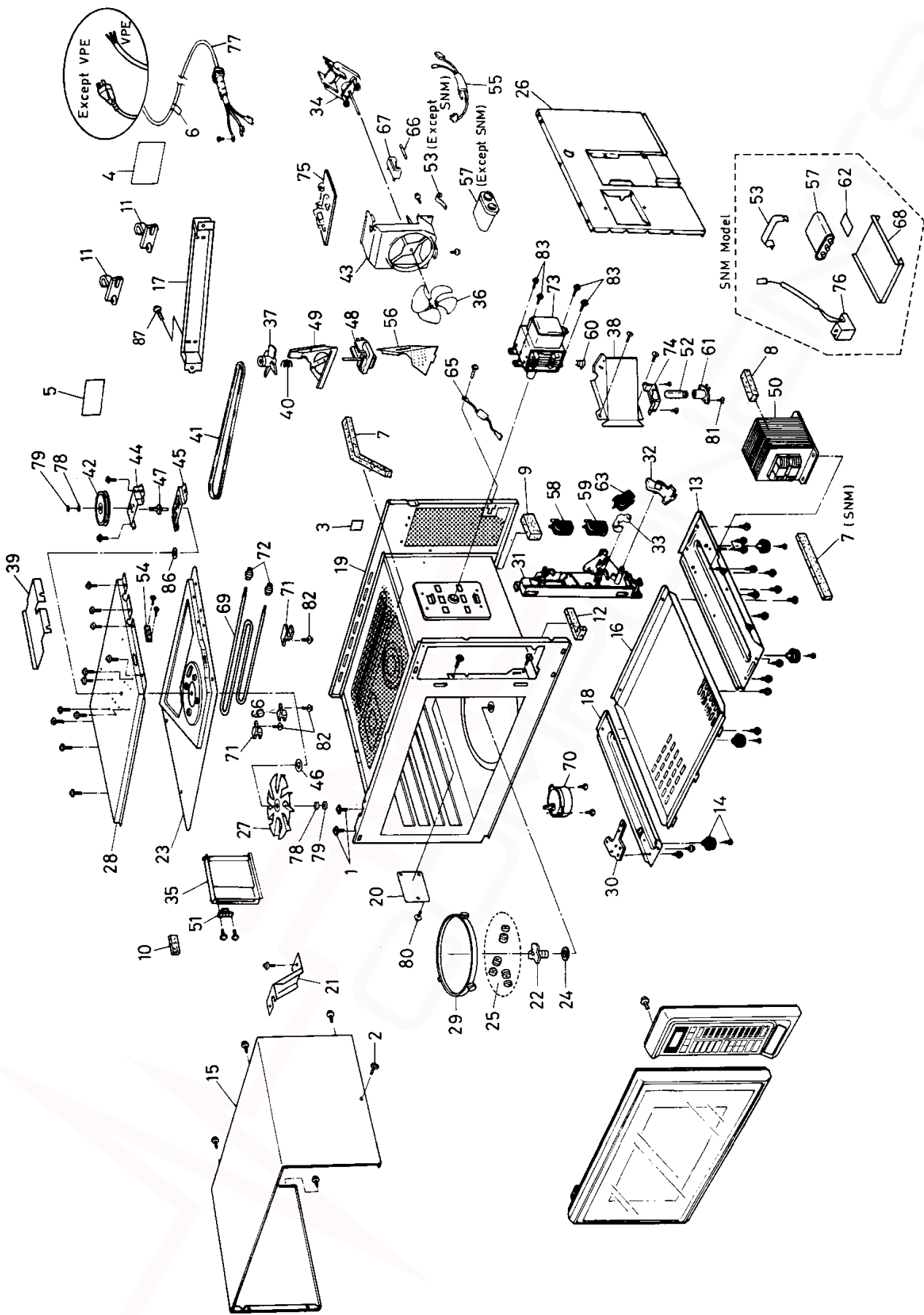
FRONT →



**National/Panasonic**

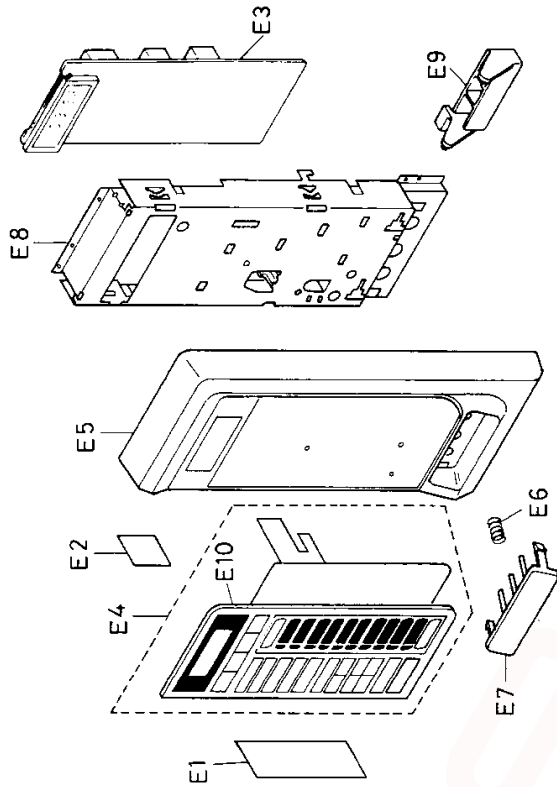
# EXPLODED VIEW AND PARTS LIST

EXPLODED VIEW



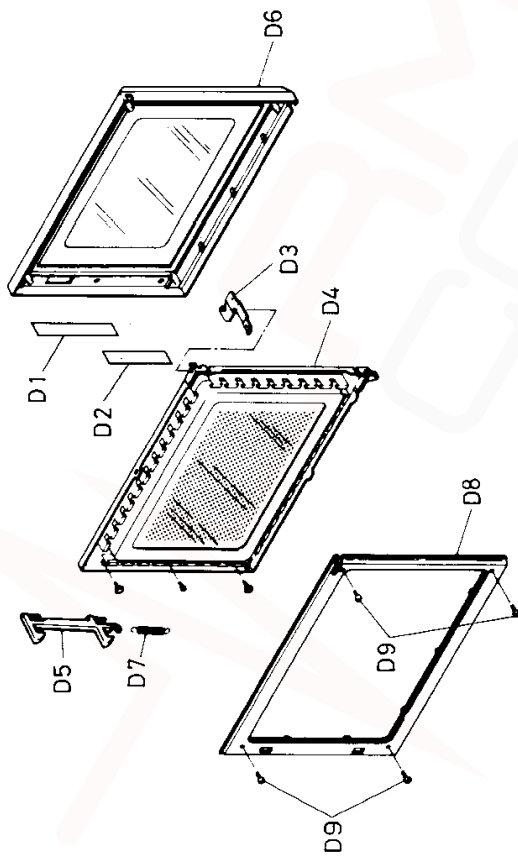
(S-666H QPQ)

**ESCUTCHEON BASE ASSEMBLY**



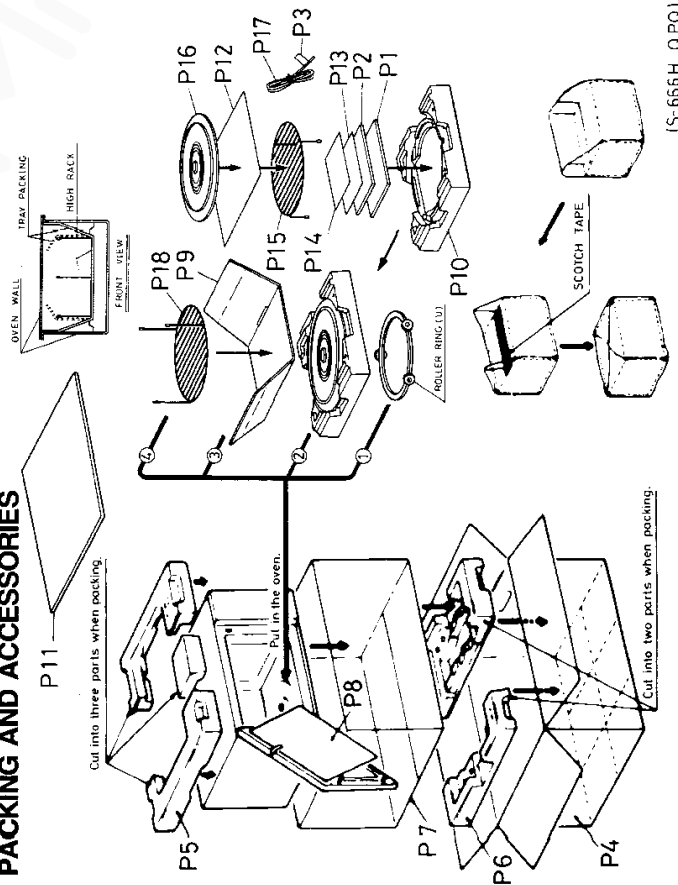
(S-666H Q.P.Q.)

**DOOR ASSEMBLY**



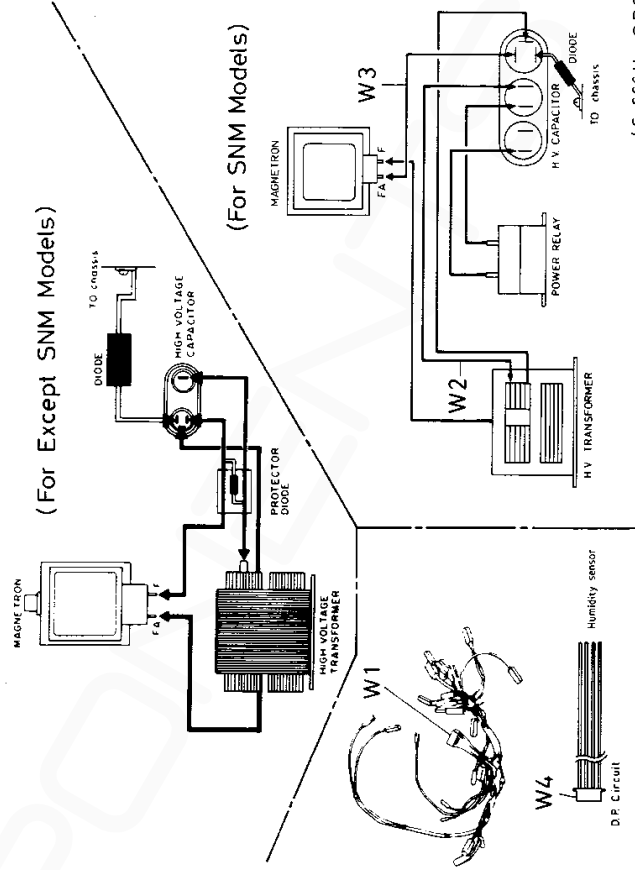
(S-666H Q.P.Q.)

**PACKING AND ACCESSORIES**



(S-666H Q.P.Q.)

**WIRING MATERIAL**



(S-666H Q.P.Q.)

**PARTS LIST**

**NOTE 1:** When ordering replacement part(s), please use part number(s) shown in this parts list.

Do not use description of the part.

**2: Important safety notice:**

Components identified by  $\Delta$  mark have special characteristics important for safety.

When replacing any of these components, use only manufacturer's specified parts.

**3: Alphabet marks in Remarks columns (i.e. QPQ, JPG etc) indicate parts applicable to only specified country models as follows.**

**QPQ: For Australia, JPG: For New Zealand, HNE: For Hong Kong, MNQ: For Malaysia,**

**MKQ: For Singapore, TNE: For Thailand, Indonesia, VPE: For South Africa, LNK: For Philippines,**

**SNM: Saudi Arabia, KNQ: For Kuwait, Doha Qatar, Oman, Bahrain, Pakistan,**

**KKE: For U.A.E.,Egypt, Iran.**

Parts without these marks can be used for all models.

| Ref. No. | Part No.             | Part Name & Description | Pcs/Set | Remarks                                     | Ref. No. | Part No.              | Part Name & Description | Pcs/Set | Remarks  |
|----------|----------------------|-------------------------|---------|---|----------|-----------------------|-------------------------|---------|--|
| 1        | XSWANE+10U           | SCREW                   | 2       | 5X10 (FOR UPPER HINGE)                      | 48       | A41795450QP           | HEATER FAN MOTOR        | 1       | HNE/JPG/KKE/KNQ/MKQ/MNQ/QPQ/TNE/VPE                        |
| 2        | XTT4+8BN             | SCREW                   | 1       | 4X8 (FOR CABINET BODY)                      | 48       | A41795080BP           | HEATER FAN MOTOR        | 1       | LNK/SNM  |
| 3        | ANE00057J0XN         | EARTH LABEL             | 1       | TNE   | 49       | A41806660QP           | FAN MOTOR BRACKET       | 1       |  |
| 4        | A00065460JP          | CAUTION LABEL           | 1       |   | 50       | $\Delta$ A600B6660HN  | H.V.TRANSFORMER         | 1       | HNE/KKE/TNE/VPE (1.6KVA)                                   |
| 5        | A00065540MN          | CAUTION LABEL           | 1       | MKQ   | 50       | $\Delta$ A600B6660QP  | H.V.TRANSFORMER         | 1       | JPG/KNQ/MKQ/MNQ/QPQ (1.6KVA)                               |
| 6        | ANE0239L00XN         | CORD CAUTION LABEL      | 1       | KKE/KNQ/SNM/VPE                             | 50       | $\Delta$ A600B6660LN  | H.V.TRANSFORMER         | 1       | LNK (1.6KVA)   |
| 7        | ANE000Z000AA         | CUSHION RUBBER A        | 1       | HNE/JPG/KKE/KNQ/LNK/MKQ/MNQ/QPQ/TNE/VPE SNM | 50       | $\Delta$ A600B6660SN  | H.V.TRANSFORMER         | 1       | SNM (1.6KVA)   |
| 7        | ANE000Z000AA         | CUSHION RUBBER A        | 2       |   | 51       | A601L4780AP           | HUMIDITY SENSOR         | 1       |  |
| 8        | ANE0914000CE         | CUSHION RUBBER B        | 1       |   | 52       | A60304080BP           | INCANDESCENT LAMP       | 1       | (20W,240V)   |
| 9        | ANE092B000AH         | CUSHION RUBBER          | 1       |   | 53       | ANE6037X00PP          | CAPACITOR BRACKET       | 1       | SNM  |
| 10       | ANE000Z000AD         | CUSHION RUBBER A        | 1       |   | 53       | A61884060AP           | CAPACITOR BRACKET       | 1       | HNE/JPG/KKE/KNQ/LNK/MKQ/MNQ/QPQ/TNE/VPE                    |
| 11       | A11406520GP          | STOPPER A               | 2       |   | 54       | A605Y6660QP           | OVEN TEMP SENSOR        | 1       |  |
| 12       | ANE0962000AD         | CUSHION RUBBER D        | 1       |   | 55       | A606V4760JP           | PROTECTOR DIODE         | 1       | HNE/JPG/KKE/KNQ/LNK/MKQ/MNQ/QPQ/TNE/VPE                    |
| 13       | A10015450AP          | BASE                    | 1       |   | 56       | A40306660QP           | AIR GUIDE D             | 1       |  |
| 14       | ANE1008-3W0          | RUBBER FOOT             | 4       |   | 57       | $\Delta$ A60905850GP  | H.V.CAPACITOR           | 1       | HNE/JPG/KKE/KNQ/MKQ/MNQ/QPQ/TNE/VPE (1.14 $\mu$ F AC2100V) |
| 15       | A10096660HQP         | CABINET BODY (U)        | 1       | HNE/JPG/KKE/KNQ/LNK/MKQ/MNQ/QPQ/TNE/VPE SNM | 57       | $\Delta$ A60904140GP  | H.V.CAPACITOR           | 1       | LNK (1.0 $\mu$ F AC2100V)                                  |
| 15       | A10096660HSN         | CABINET BODY (U)        | 1       |   | 57       | $\Delta$ A60904650PP  | H.V.CAPACITOR           | 1       | SNM  |
| 16       | A10266660QP          | BASE C                  | 1       |   | 58       | $\Delta$ ANE61424L0AG | MICROSWITCH             | 1       | (V-18G-3C2S) PRIMARY LATCH SWITCH                          |
| 17       | A41206660QP          | EXHAUST COVER           | 1       |   | 59       | $\Delta$ A61425180AP  | MICROSWITCH             | 1       | (L-3C2-2) SECONDARY LATCH SWITCH                           |
| 18       | A11295450AP          | BASE B                  | 1       |   | 60       | $\Delta$ A61455850GP  | THERMAL CUTOUT          | 1       |  |
| 19       | $\Delta$ A200A6660QP | OVEN COVER              | 1       |   | 61       | $\Delta$ A61524650AP  | SOCKET                  | 1       |  |
| 20       | A20555450AP          | COVER                   | 1       |   | 62       | A61705040PP           | INSULATION SHEET        | 1       | SNM  |
| 21       | A20766660QP          | REINFORCE BRACKET C     | 1       |   | 63       | $\Delta$ A61785180AP  | MICRO SWITCH            | 1       | (L-2C2-2) SFORT SWITCH                                     |
| 22       | A21315870GP          | PULLEY SHAFT            | 1       |   | 64       | A40476660QP           | AIR GUIDE E             | 1       | HNE/JPG/KKE/KNQ/LNK/MKQ/MNQ/QPQ/TNE/VPE                    |
| 23       | A21446660HQP         | UPPER PANEL             | 1       |   | 65       | $\Delta$ A62024000AP  | DIODE,SI                | 1       |  |
| 24       | ANE2177-F80          | WASHER                  | 1       |   | 66       | $\Delta$ A62304210BP  | FUSE                    | 1       | (10A)  |
| 25       | A202K5870GP          | ROLLER B (U)            | 1       | (NOTE 3)                                    | 67       | A62314000AP           | FUSE HOLDER             | 1       |  |
| 26       | A22365450AP          | RIGHT HEATER PANEL      | 1       |   | 68       | A62485040PP           | BRACKET                 | 1       | SNM  |
| 27       | ANE22392L0AP         | CIRCULATION FAN         | 1       |   | 69       | A630G6660HN           | HEATER A                | 1       | HNE/KKE/KNQ/SNM/TNE/VPE                                    |
| 28       | A22786660QP          | UPPER HEATER PANEL      | 1       |   | 69       | A630G6660JP           | HEATER A                | 1       | JPG  |
| 29       | A290D5080BP          | ROLLER RING (U)         | 1       |   | 69       | A630G6660QP           | HEATER A                | 1       | KNQ/MKQ/MNQ/QPQ  |
| 30       | $\Delta$ A30076660QP | LOWER HINGE             | 1       |   | 70       | A63266660QP           | TURNTABLE MOTOR         | 1       | (AC,4W,SINGLE)   |
| 31       | $\Delta$ A30204310AG | DOOR HOOK               | 1       |   | 71       | A64175130AP           | HEATER SUPPORT          | 3       |  |
| 32       | A31374650AP          | HOOK SPACER B           | 1       |   | 72       | ANE6501K90AP          | HEATER HOLDER           | 2       |  |
| 33       | A31384650AP          | HOOK SPACER C           | 1       |   | 73       | $\Delta$ 2M210-M1E    | MAGNETRON               | 1       |  |
| 34       | A400A5500QP          | FAN MOTOR               | 1       | HNE/JPG/KKE/KNQ/MKQ/MNQ/QPQ/SNM/TNE/VPE LNK | 74       | A66036000BP           | OVEN LAMP BRACKET       | 1       |  |
| 34       | A400A4000LN          | FAN MOTOR               | 1       |   | 75       | A692Y6660JP           | NOISE FILTER (U)        | 1       | JPG/VPE  |
| 35       | A400K5040AQ          | EXHAUST GUIDE           | 1       |   | 76       | A699A6660HSN          | POWER RELAY (U)         | 1       | SNM  |
| 36       | ANE40086W0AP         | FAN                     | 1       |   | 77       | $\Delta$ A900C5450HN  | AC CORD W/PLUG          | 1       | HNE (220V)   |
| 37       | A40085020AQ          | FAN                     | 1       |   | 77       | $\Delta$ A900C6660JP  | AC CORD W/PLUG          | 1       | JPG (240V)   |
| 38       | A40256660QP          | AIR GUIDE A             | 1       |   | 77       | $\Delta$ A900C5450MK  | AC CORD W/PLUG          | 1       | KKE/KNQ/MKQ/MNQ/SNM (240V)                                 |
| 39       | A40266660QP          | AIR GUIDE B             | 1       |   | 77       | $\Delta$ A900C5020AP  | AC CORD W/PLUG          | 1       | LNK (220V)   |
| 40       | ANE4057-F50          | SPRING                  | 1       |   | 77       | $\Delta$ A900C4250QPS | AC CORD W/PLUG          | 1       | QPQ (240V)   |
| 41       | A40606660QP          | BELT A                  | 1       |   | 77       | $\Delta$ A900C5450TN  | AC CORD W/PLUG          | 1       | TNE (220V)   |
| 42       | A41325020AQ          | PULLEY B                | 1       |   |          |                       |                         |         |  |
| 43       | A41446660QP          | ORIFICE                 | 1       | HNE/JPG/KKE/KNQ/LNK/MKQ/MNQ/QPQ/TNE/VPE SNM |          |                       |                         |         |  |
| 43       | A41446660SN          | ORIFICE                 | 1       |   |          |                       |                         |         |  |
| 44       | A402Q6660QP          | PULLEY BRACKET          | 1       |   |          |                       |                         |         |  |
| 45       | A41585450AP          | FAN BRACKET B           | 1       |   |          |                       |                         |         |  |
| 46       | A41635020AQ          | SPACER C                | 1       |   |          |                       |                         |         |  |
| 47       | A400S6660QP          | SHAFT (U)               | 1       |   |          |                       |                         |         |  |

(S-666H QPQ)

| Ref. No. | Part No.      | Part Name & Description | Pcs/Set | Remarks                     |
|----------|---------------|-------------------------|---------|-----------------------------|
| 77       | △ A90245450VN | AC CORD W/OUT PLUG      | 1       | VPE (220V)                  |
| 78       | XWS4VL        | WASHER                  | 2       | (M4)                        |
| 79       | XNG4EVS       | NUT                     | 2       | (M4)                        |
| 80       | XST4+5VS      | SCREW                   | 1       | 4X5 (FOR COVER)             |
| 81       | XTWANE3+10S4  | SCREW                   | 1       | 3X10 (FOR SOCKET)           |
| 82       | XTWANE35+14N  | SCREW                   | 3       | 3.5X14 (FOR HEATER SUPPORT) |
| 83       | XTWANE4+10RU  | SCREW                   | 4       | 4X10 (FOR MAGNETRON)        |
| 86       | A21776660QP   | WASHER                  | 1       |                             |
| 87       | XTTANE4+10B   | SCREW                   | 1       | 4X10 (FOR EXHAUST COVER)    |

**DOOR ASSEMBLY**

|    |               |                 |   |                                 |
|----|---------------|-----------------|---|---------------------------------|
| D1 | A01726210JP   | CAUTION LABEL   | 1 | JPG                             |
| D2 | ANE0245X00AP  | DHHS LABEL      | 1 | LNK                             |
| D3 | △ A300B5450AP | UPPER HINGE     | 1 |                                 |
| D4 | △ A302K6660QP | DOOR E (U)      | 1 |                                 |
| D5 | A30186660QP   | DOOR KEY        | 1 |                                 |
| D6 | A302A6660HMN  | DOOR A (U)      | 1 | HNE/KKE/KNQ/LNK/MKQ/MNQ/SNM/TNE |
| D6 | A302A6660HQP  | DOOR A (U)      | 1 | JPG/QPQ/VPE                     |
| D7 | A30214000AP   | DOOR KEY SPRING | 1 |                                 |
| D8 | △ A30856660QP | DOOR C          | 1 |                                 |
| D9 | △ XTBAE4+12FK | SCREW           | 4 | 4X12                            |

**ESCUTCHEON BASE ASSEMBLY**

|     |              |                     |   |   |
|-----|--------------|---------------------|---|---|
| E1  | A01576660HHN | NAME PLATE          | 1 | HNE   |
| E1  | A01576660HJP | NAME PLATE          | 1 | JPG   |
| E1  | A01576660HKK | NAME PLATE          | 1 | KKE   |
| E1  | A01576660HKN | NAME PLATE          | 1 | KNQ   |
| E1  | A01576660HLN | NAME PLATE          | 1 | LNK   |
| E1  | A01576660HMK | NAME PLATE          | 1 | MKQ   |
| E1  | A01576660HMN | NAME PLATE          | 1 | MNQ   |
| E1  | A01576660HQP | NAME PLATE          | 1 | QPQ   |
| E1  | A01576660HSN | NAME PLATE          | 1 | SNM   |
| E1  | A01576660HTN | NAME PLATE          | 1 | TNE   |
| E1  | A01576660HVP | NAME PLATE          | 1 | VPE   |
| E2  | A02846660MK  | NUMBER LABEL        | 1 | MKQ   |
| E3  | A603L6660MN  | D.P.CIRCUIT (U)     | 1 | HNE/LNK/MKQ/MNQ/TNE<br>RTL (W/COMPONENT)    |
| E3  | A603L6660JP  | D.P.CIRCUIT (U)     | 1 | JPG<br>RTL (W/COMPONENT)                    |
| E3  | A603L6660KN  | D.P.CIRCUIT (U)     | 1 | KKE/KNQ<br>RTL (W/COMPONENT)                |
| E3  | A603L6660QP  | D.P.CIRCUIT (U)     | 1 | QPQ/VPE<br>RTL (W/COMPONENT)                |
| E3  | A603L6660SN  | D.P.CIRCUIT (U)     | 1 | SNM<br>RTL (W/COMPONENT)                    |
| E4  | A630Y6660HMN | MEMBRANE SWITCH (U) | 1 | HNE/LNK/MKQ/MNQ/TNE<br>(W/ESCUTCHEON SHEET) |
| E4  | A630Y6660HQP | MEMBRANE SWITCH (U) | 1 | JPG/QPQ/VPE<br>(W/ESCUTCHEON SHEET)         |
| E4  | A630Y6660HKN | MEMBRANE SWITCH (U) | 1 | KKE/KNQ/SNM<br>(W/ESCUTCHEON SHEET)         |
| E5  | A80346660HQP | ESCUTCHEON BASE     | 1 | (NOTE 4)                                    |
| E6  | ANE80378A0AG | COOK BUTTON SPRING  | 1 |   |
| E7  | A80726660HQP | DOOR OPENING BUTTON | 1 |   |
| E8  | A81276660QP  | BACK PANEL          | 1 |   |
| E9  | A82566660QP  | DOOR OPENING LEVER  | 1 |   |
| E10 | A83376660HMN | ESCUTCHEON SHEET    | 1 | HNE/LNK/MKQ/MNQ/TNE                         |
| E10 | A83376660HQP | ESCUTCHEON SHEET    | 1 | JPG/QPQ/VPE                                 |
| E10 | A83376660HKN | ESCUTCHEON SHEET    | 1 | KKE/KNQ/SNM                                 |

**PACKING AND ACCESORIES**

|    |             |                  |   |                     |
|----|-------------|------------------|---|---------------------|
| P1 | A000B6660MN | COOK BOOK        | 1 | HNE/LNK/MKQ/MNQ/TNE |
| P1 | A000B5820KN | COOK BOOK        | 1 | KKE/KNQ/SNM         |
| P2 | A00036660HN | INSTRUCTION BOOK | 1 | HNE/LNK/MKQ/MNQ/TNE |

| Ref. No. | Part No.     | Part Name & Description | Pcs/Set | Remarks                      |
|----------|--------------|-------------------------|---------|------------------------------|
| P2       | A00036660QP  | INSTRUCTION BOOK        | 1       | JPG/QPQ/VPE<br>(W/COOK BOOK) |
| P2       | A00036660KN  | INSTRUCTION BOOK        | 1       | KKE/KNQ/SNM                  |
| P3       | A00324040XN  | EARTH CAUTION LABEL     | 1       | TNE                          |
| P4       | A01026660HHN | PACKING CASE,PAPER      | 1       | HNE                          |
| P4       | A01026660HJP | PACKING CASE,PAPER      | 1       | JPG                          |
| P4       | A01026660HKK | PACKING CASE,PAPER      | 1       | KKE                          |
| P4       | A01026660HKN | PACKING CASE,PAPER      | 1       | KNQ                          |
| P4       | A01026660HLN | PACKING CASE,PAPER      | 1       | LNK                          |
| P4       | A01026660HMK | PACKING CASE,PAPER      | 1       | MKQ                          |
| P4       | A01026660HMN | PACKING CASE,PAPER      | 1       | MNQ                          |
| P4       | A01026660HQP | PACKING CASE,PAPER      | 1       | QPQ                          |
| P4       | A01026660HSN | PACKING CASE,PAPER      | 1       | SNM                          |
| P4       | A01026660HTN | PACKING CASE,PAPER      | 1       | TNE                          |
| P4       | A01026660HVP | PACKING CASE,PAPER      | 1       | VPE                          |
| P5       | A01046660MN  | UPPER FILLER            | 1       | HNE/LNK/MKQ/MNQ/TNE          |
| P5       | A01046660QP  | UPPER FILLER            | 1       | JPG/QPQ/VPE                  |
| P5       | A01046660KN  | UPPER FILLER            | 1       | KKE/KNQ/SNM                  |
| P6       | A01056660MN  | LOWER FILLER            | 1       | HNE/LNK/MKQ/MNQ/TNE          |
| P6       | A01056660QP  | LOWER FILLER            | 1       | JPG/QPQ/VPE                  |
| P6       | A01056660KN  | LOWER FILLER            | 1       | KKE/KNQ/SNM                  |
| P7       | A01065130AP  | VINYL COVER             | 1       |                              |
| P8       | ANE0107580AP | DOOR SHEET              | 1       |                              |
| P9       | A01086660QP  | TRAY PACKING            | 1       |                              |
| P10      | A01136660QP  | TRAY STYROL             | 1       |                              |
| P11      | A01265820HKN | REINFORCE MATERIAL      | 1       | KKE/KNQ/SNM                  |
| P12      | ANE02072L0AP | STYROL SHEET            | 1       |                              |
| P13      | A04246660VP  | INSTRUCTION BOOK B      | 1       | VPE                          |
| P14      | A04456660HMN | MENU LABEL              | 1       | MNQ                          |
| P14      | A04456660HTN | MENU LABEL              | 1       | TNE                          |
| P15      | A060V6660JP  | LOW RACK                | 1       | 70MM(H)                      |
| P16      | A06016660QP  | COOKING TRAY            | 1       |                              |
| P17      | A91644000XN  | EARTH LEAD              | 1       | TNE                          |
| P18      | A060V6660QP  | HIGH RACK               | 1       | 135MM(H)                     |

**WIRING MATERIAL**

|    |             |                   |   |                                 |
|----|-------------|-------------------|---|---------------------------------|
| W1 | A030A6660QP | LEAD WIRE HARNESS | 1 | HNE/KKE/KNQ/LNK/MKQ/MNQ/QPQ/TNE |
| W1 | A030A6660JP | LEAD WIRE HARNESS | 1 | JPG/VPE                         |
| W1 | A030A6660SN | LEAD WIRE HARNESS | 1 | SNM                             |
| W2 | A03505040PP | LEAD WIRE         | 1 | SNM                             |
| W3 | A03515040PP | LEAD WIRE         | 1 | SNM                             |
| W4 | A03536660QP | LEAD WIRE         | 1 |                                 |

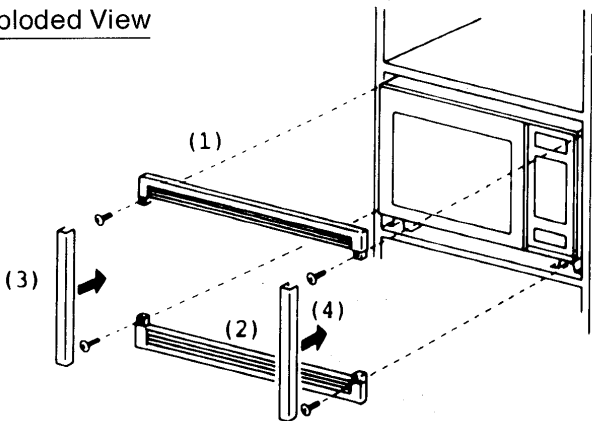
**REF NO.75 NOISE FILTER(U)**

|        |                |                      |   |                   |
|--------|----------------|----------------------|---|-------------------|
| C1     | ECQU2A104MN    | POLYESTER CAPACITOR  | 1 | 0.1µF,250V,20%    |
| C2,3   | △ ECKDNS472MEX | CERAMIC CAPACITOR    | 2 | 0.0047µF,250V,20% |
| L1     | A621A5540GP    | FILTER COIL          | 1 | JPG/VPE           |
| R2     | ERD25FJ564S    | CARBON FILM RESISTOR | 1 | 560KΩ,1/4W,±5%    |
| ZNR1   | ERZC10DK621F   | VARIATOR             | 1 |                   |
| ZNR2,3 | ERZC10DK112A   | VARIATOR             | 2 |                   |

NOTE 3: When ordering the roller B assy, three rollers will be shipped.  
When replacing the roller B, three rollers should be replaced at the same time.  
Otherwise the glass cooking tray may not turn smoothly.  
4: Please order name plate together.

**PARTS LIST FOR MICROWAVE OVEN TRIM KITS**

Exploded View



| Trim kit Model No. | Top and Bottom Strip Ref No:1.2 | Pcs/ Set | Side Strip Ref No:3.4 | Pcs/ Set | Microwave Oven Model No. |
|--------------------|---------------------------------|----------|-----------------------|----------|--------------------------|
| NN-TK953           | A1603A000HAG                    | 2        | A1601A240HAP          | 2        |                          |

NOTE: The top and bottom strips have the same part number and the left and right side strips also have the same part number. These parts will be supplied on one piece per one part number.