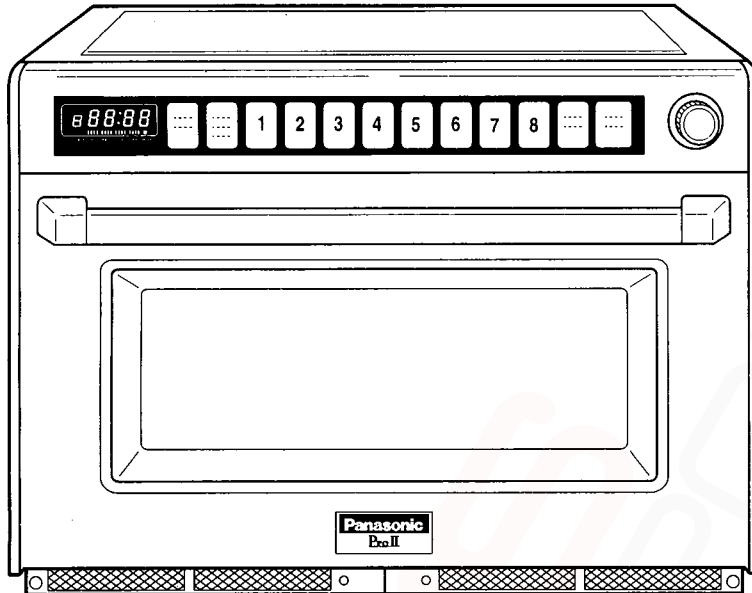


Service Manual

Microwave Oven

NE-2780**NE-1880****INPUT NSW SERVICE 04****07 OCT 1997**

Specifications

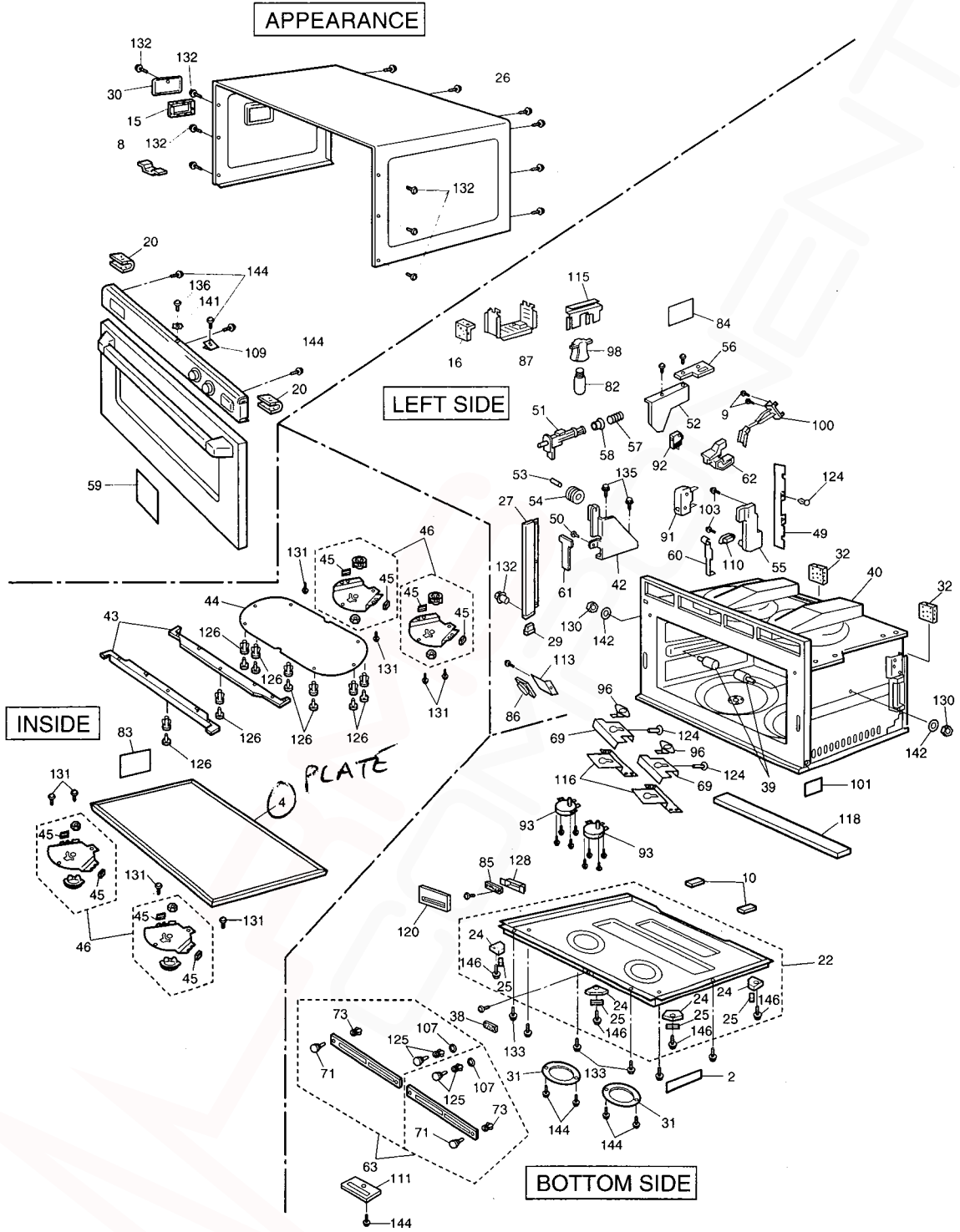
		NE-2780	NE-1880
Power Source :		240 V AC Single Phase, 50Hz	
Power Requirement :		4400W	3400W
High frequency Output :	HIGH	2700 W (IEC-705)	1800 W (IEC-705)
	MED	1350 W	900 W
	LOW	340 W	340 W
	DEF	170 W	170 W
Frequency :		2450 MHz	
Timer :		15 Min. HIGH, MED 60 Min. LOW, DEF and STAND	
Outside Dimensions :		650 mm (W) X 526 mm (D) X 471 mm (H)	
Oven Cavity Dimensions :		535 mm (W) X 330 mm (D) X 250 mm (H)	
Weight :		65 kg	54 kg
Specification subject to change without notice.			

Panasonic®

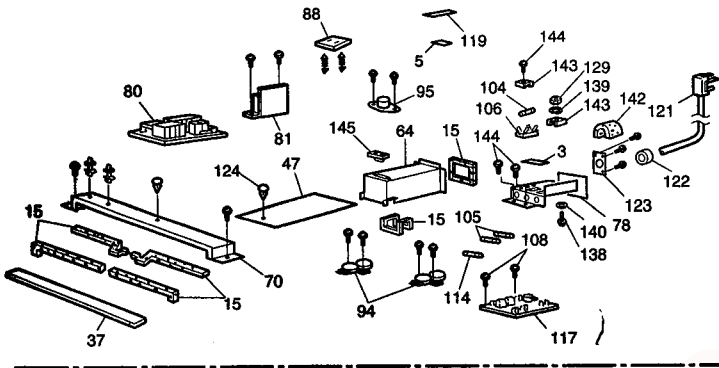
© 1997 Matsushita Electric Industrial Co., Ltd.
All rights reserved. Unauthorized copying and
distribution is a violation of law.

EXPLODED VIEW AND PARTS LIST

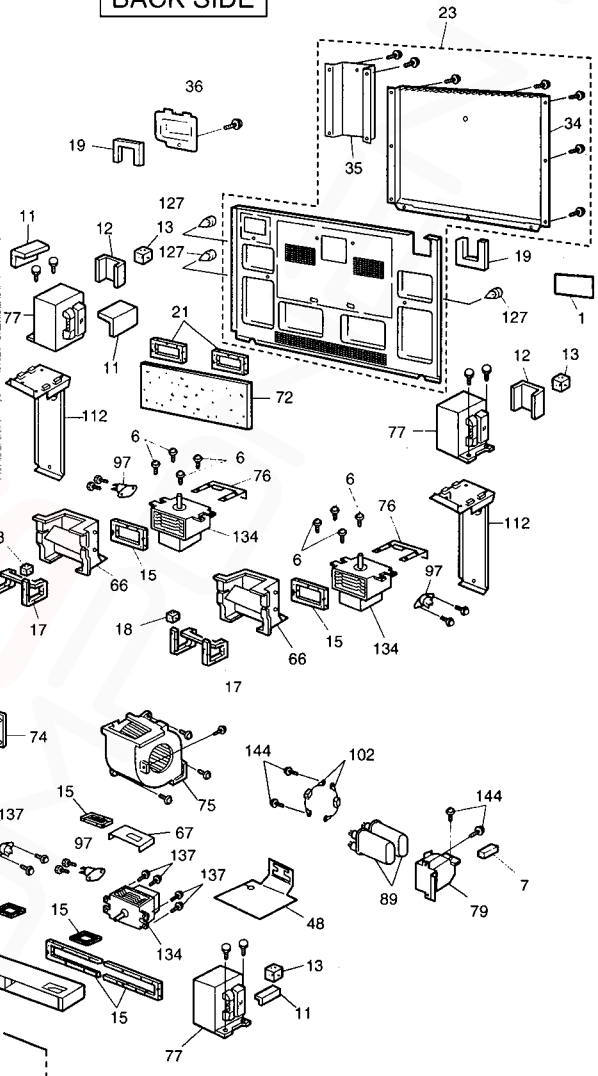
EXPLODED VIEW



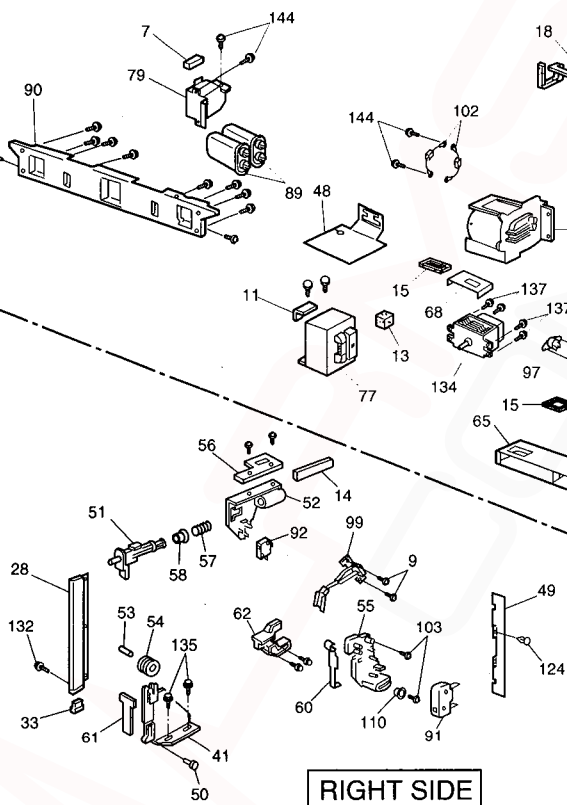
TOP



BACK SIDE



RIGHT SIDE



(S-357 QPQ)

PARTS LIST

NOTE : When ordering replacement part(s), please use part number(s) shown in this parts list.

Do not use description of the part.

: Important safety notice:

Components identified by \triangle mark have special characteristics important for safety.

When replacing any of these components, use only manufacturer's specified parts.

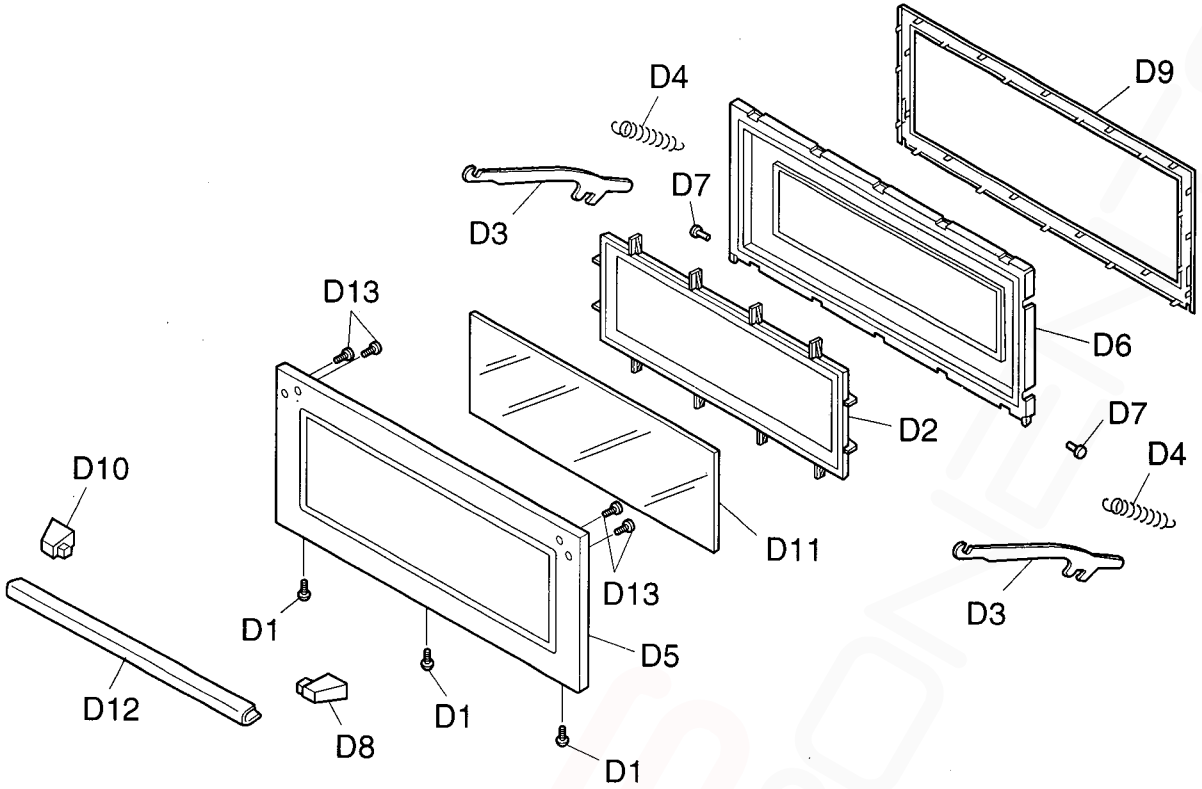
Ref. No.	Part No.	Part Name & Description	Pcs/ Set	Remarks
1	A00065460JP	CAUTION LABEL	1	
2	A00073590QP	NAME PLATE	1	NE-1880
2	A00073570QP	NAME PLATE	1	NE-2780
3	ANE0033P10GN	FUSE LABEL	1	NE-1880
4	A010T3030GP	SHELF - PLATE	1	
5	A02433580GP	TERMINAL LABEL	1	NE-1880
6	XYEANE5+C16T	SCREW	8	(5X16) FOR MAGNETRON:UPPER
7	ANE0911000DC	CUSHION RUBBER B	2	NE-2780
8	ANE0911000DF	CUSHION RUBBER B	1	
9	XYN4+F12S	SCREW	4	(4X12) FOR DOOR SWITCH
10	ANE0911000EG	CUSHION RUBBER B	2	
11	ANE0911000EH	CUSHION RUBBER B	2	NE-1880
11	ANE0911000EH	CUSHION RUBBER B	4	NE-2780
12	ANE0911000MG	CUSHION RUBBER B	2	NE-2780
13	ANE0917000EB	CUSHION RUBBER B	2	
14	ANE0921000CG	CUSHION RUBBER C	1	
15	ANE000Z000AA	CUSHION RUBBER C	15	
16	ANE0922000JE	CUSHION RUBBER C	1	
17	ANE000Z000AB	CUSHION RUBBER C	2	
18	ANE0924000AB	CUSHION RUBBER C	2	
19	ANE0961000ZL	CUSHION RUBBER D	2	
20	ANE0962000ZE	CUSHION RUBBER D	2	
21	ANE0963000AS	CUSHION RUBBER D	2	
22	A100A3560GP	BASE	1	(NOTE 1)
23	A100Q3560GP	BACK PANEL	1	
24	A1007-3280	FOOT	4	
25	A1008-3280	RUBBER FOOT	4	
26	A10093030GP	CABINET BODY (U)	1	
27	A10133030GP	LEFT SIDE SASH	1	
28	A10143030GP	RIGHT SIDE SASH	1	
29	A10203030GP	SASH RUBBER B	1	LEFT
30	A10263030GP	OVEN LAMP COVER	1	
31	A10283030GP	ANTENNA MOTOR COVER	2	
32	A10493030GP	CUSHION RUBBER	2	
33	A10503030GP	SASH RUBBER A	1	RIGHT
34	A10583560GP	BACK PANEL COVER A	1	
35	A10593560GP	BACK PANEL COVER B	1	
36	ANE11548U0AP	BACK PANEL COVER	1	
37	A11743060GP	SPACER	1	
38	A16163040AP	PANEL B (U)	1	
39	A18593560GP	SHELF SUPPORT	2	
40	\triangle A200A3560GP	OVEN	1	
41	A200P3030GP	ROLLER BRACKET A	1	RIGHT
42	A200Q3030GP	ROLLER BRACKET B	1	LEFT
43	A20103030GP	CEILING PLATE B	2	
44	\triangle A20113030GP	CEILING PLATE	1	
45	A20193030GP	ANTENNA STOPPER	8	
46	A202R3560GP	ANTENNA (U)	4	
47	A22173030GP	BARRIER SHEET A	1	
48	A22183030GP	BARRIER SHEET B	2	NE-2780
49	A22193030GP	BARRIER SHEET C	1	NE-1880
49	A22193030GP	BARRIER SHEET C	2	NE-2780
50	ANE3008P00RN	HINGE PIN	2	

Ref. No.		Part No.	Part Name & Description	Pcs/ Set	Remarks
51		A30183030GP	DOOR KEY A	2	
52	△	A30203030GP	DOOR HOOK A	2	
53		ANE3033-560	DOOR ROLLER PIN	2	
54		ANE3034-560	DOOR GUIDE ROLLER	2	
55		A31123050GP	DOOR HOOK B	2	
56		A31363030GP	HOOK SPACER A	2	
57		ANE3155-610	SPRING	2	
58		ANE3157-610	PACKING RUBBER	2	
59		A31863590GP	DOOR PANEL	1	NE-1880
59		A31863570CP	DOOR PANEL	1	NE-2780
60		A32493030GP	DOOR SWITCH LEVER	2	
61		A32523030GP	DOOR ARM SPACER	2	
62		A33373030GP	DOOR ARM LEVER	2	
63		A400B3040AP	AIR FILTER FLAME (U)	2	
64		A400C3040AP	EXHAUST GUIDE B	1	
65		A402N3030GP	EXHAUST GUIDE A	1	
66		A40253030GP	AIR GUIDE A	2	
67		A40263030GP	AIR GUIDE B	1	
68		A40313030GP	AIR GUIDE C	1	
69		A40423040AP	AIR GUIDE F	2	
70		A40473560GP	AIR GUIDE E	1	
71		A40923030GP	FILTER HANDLE	2	
72		A40963030GP	INSULATION SHEET	1	
73		ANE42408U0AP	FILTER HANDLE B	2	
74		A490W3050GP	FAN MOTOR A (K2RB220BU)	1	NE-1880 (48W)
74		A490W3030GP	FAN MOTOR A (K2RB32KU)	1	NE-2780 (55W)
75		A490Y3050GP	FAN MOTOR B (B2RB220AU)	1	NE-1880 (48W)
75		A490Y3030GP	FAN MOTOR B (BK2RB32JU)	1	NE-2780 (55W)
76		ANE50328U0AP	MAGNETRON BRACKET	2	
77	△	A600B3580GP	H.V.TRANSFORMER	2	NE-1880 (1.8KVA)
77	△	A600B3560BP	H.V.TRANSFORMER	4	NE-2780 (1.5KVA)
78		A600E3030GP	TERMINAL PLATE	1	
79		A600S3030GP	CAPACITOR BRACKET	2	
80		A603M3580GP	PC BOARD B (U)	1	NE-1880
80		A603M3560BP	PC BOARD B (U)	1	NE-2780
81		A603Y3560GP	L.V.TRANSFORMER (U)	1	
82		ANE6030Q50GN	INCANDESCENT LAMP	1	(240V/25W)
83		A60403030GP	OVEN LAMP SHEET	1	
84		A60403040AP	OVEN LAMP SHEET	1	
85		A605Q3030GP	PUSH SWITCH	1	
86		A605S3030GP	PC BOARD H (U)	1	
87		A60733030GP	OVEN LAMP COVER	1	
88		A608E3560GP	P,C BOARD Q (U)	1	NE-2780
89	△	A63903310GP	H.V.CAPACITOR	4	NE-2780 (0.82MF,AC2300V)
89	△	A60903050BP	H.V.CAPACITOR	4	NE-1880 (0.67MF,AC2000V)
90		A61073030GP	PARTS BRACKET B	1	
91	△	ANE6142-F60	MICROSWITCH	2	(V-15G-3C26) SECONDARY LATCH SWITCH
92	△	ANE61424L0AG	MICROSWITCH	2	(V-16G-3C26) PRIMARY LATCH SWITCH
93		A6144-3280	ANTENNA MOTOR	2	LOWER (2.5W)
94		A61446030AP	ANTENNA MOTOR	2	UPPER (2.5W)
95	△	A61454000AP	THERMAL CUTOUT	1	FOR OVEN
96	△	A61454050AP	THERMAL CUTOUT	2	FOR ANTENNA MOTOR
97	△	A61454210AP	THERMAL CUTOUT	4	FOR MAGNETRON
98	△	ANE61522Q0BP	SOCKET	1	
99	△	A61583030GP	DOOR SWITCH A	1	RIGHT (MONITOR SWITCH)
100	△	A61583050GP	DOOR SWITCH B	1	LEFT (MONITOR SWITCH)
101		A61703030GP	INSULATION SHEET C	1	
102	△	A62024000AP	DIODE,SI	4	
103		XYN4+F18S	SCREW	4	(4X18) FOR DOOR HOOK B
104	△	A62303580GP	FUSE	1	NE-1880 (20A)
105	△	ANE6230P10GN	FUSE	2	NE-2780 (16A)

Ref. No.		Part No.	Part Name & Description	Pcs/ Set	Remarks
105	⚠	A62304210BP	FUSE	2	NE-1880 (10A)
106		A62314000AP	FUSE HOLDER	1	NE-1880
107		A62383030GP	SPACER	2	
108		XYN5+C8BN	SCREW	2	NE-2780 (5X8) FOR NOISE FILTER
109		ANE64086Q0AP	WASHER	1	NE-1880
110		A64083040AP	WASHER	2	
111		A65313030GP	SWITCH HOLDER	1	
112		A65513030GP	H.V.T.MOUNTING	2	NE-2780
113		A65613030GP	BUZZER CASE	1	
114	⚠	A65953170GP	FUSE B	1	1.25A
115		A66033030GP	OVEN LAMP BRACKET	1	
116		A66263040AP	THERMAL CUTOOUT MOUNT	2	
117		A692Y3580GP	NOISE FILTER (U)	1	NE-1880
117		A692Y3560BP	NOISE FILTER (U)	1	NE-2780
118		A80163060GP	CUSHION SPACER	1	
119		ANE81508V0V	TERMINAL LABEL	1	
120		A83613030GP	SWITCH SPACER	1	
121	⚠	A900C3570QP	AC CORD W/PLUG	1	NE-2780 (230-240V)
121	⚠	A900C3590QP	AC CORD W/PLUG	1	NE-1880 (230-240V)
122		A90273040AP	CORD BUSHING	1	
123		A90353040AP	CORD BRACKET	1	
124		ANE9080-730	CLIP (YELLOW)	4	NE-1880
124		ANE9080-730	CLIP (YELLOW)	5	NE-2780
125		ANE90828U0AP	CLIP (BLACK)	2	
126		ANE9082930AP	CLIP	8	
127		A91433040AP	CLIP	3	NE-1880
127		A91433040AP	CLIP	1	NE-2780
128		A98363030GP	CASE	1	
129		XNG4EVS	NUT	1	NE-2780 FOR EARTH
130		XNW5EFN	NUT	2	FOR SHELF SUPPORT
131		XST4+6VS	SCREW	8	(4X6) FOR ANTENNA
132		XTC4+10BC	SCREW	9	(4X10) FOR CABINET BODY,SASH,LAMP COVER
133		XTC4+12BK	SCREW (BLACK)	3	(4X12) FOR BASE
134	⚠	2M210-M1EL	MAGNETRON	4	
135		XTEANE5+10B	SCREW	4	(5X10) FOR ROLLER BRACKET
136		XTC4+10FC	SCREW	1	(4X10) FOR ESCUTCHEON BASE
137		XTWANE4+10RU	SCREW	8	(4X10) FOR MAGNETRON:LOWER
138		XTWA4+12CFN	SCREW	1	NE-2780 (4X12) FOR EARTH
139		XWA4BV	WASHER	1	NE-2780 FOR EARTH
140		XWA5BV	WASHER	1	NE-2780 FOR EARTH
141		XWC4BPN	WASHER	1	FOR ESCUTCHEON BASE
142		XWG5BV	WASHER	2	FOR SHELF SUPPORT
143		XWNANE53GV	SPACER	1	FOR EARTH
144		XYD4+EE12F	SCREW	19	NE-1880 (4X12) FOR TERMINAL PLATE, ANTENNA MOTOR COVER,SWITCH HOLDER, DIODE,EARTH,CAPACITOR BRACKET, ESCUTCHEON BASE
144		XYD4+EE12F	SCREW	18	NE-2780 (4X12) FOR TERMINAL PLATE, ANTENNA MOTOR COVER,SWITCH HOLDER,CAPACITOR BRACKET, ESCUTCHEON BASE
145	⚠	A601L4000AP	TEMP SENSOR	1	
146		XTWANE3+8EX	SCREW	4	(3X8) FOR FOOT

NOTE 1 : Please order name plate together.

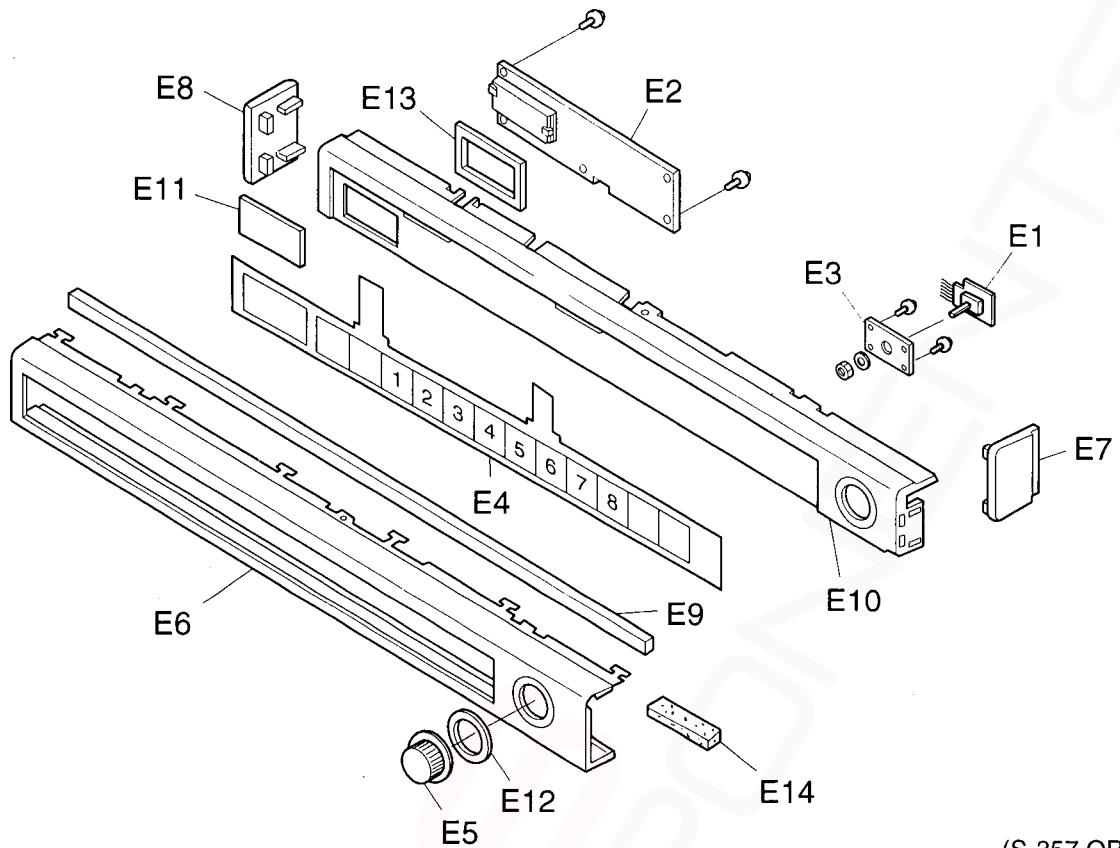
DOOR ASSEMBLY



(S-357 QPQ)

Ref. No.	Part No.	Part Name & Description	Pcs/ Set	Remarks
D1	XTC4+10BC	SCREW	3	4X10
D2	A30033030GP	DOOR FRAME	1	
D3	A30043030GP	DOOR ARM	2	
D4	ANE3009P00RN	DOOR SPRING	2	
D5	▲ A301A3030GP	DOOR A	1	
D6	▲ A302K3030GP	DOOR E (U)	1	
D7	ANE3036P00RN	DOOR ARM PIN	2	
D8	A30703030GP	HANDLE PEICE A	1	
D9	▲ A30853030GP	DOOR C	1	
D10	A31343030GP	HANDLE PEICE B	1	
D11	A31463030GP	DOOR SCREEN B	1	
D12	A31473030GP	HANDLE PEICE C	1	
D13	XYEANE4+C16T	SCREW	4	(4X16)

ESCUTCHEON BASE ASSEMBLY



(S-357 QPQ)

Ref. No.	Part No.	Part Name & Description	Pcs/ Set	Remarks
E1	A03613560GP	TIMER	1	
E2	A603L3590GP	D.P.CIRCUIT (U)	1	RTL (W/COMPONENT)
E3	A63433030GP	TIMER BRACKET	1	
E4	A64793570AP	MEMBRANE SWITCH	1	
E5	A800D3060GP	TIMER KNOB	1	
E6	A80013060GP	ESCUTCHEON A	1	
E7	A80023030GP	ESCUTCHEON B	1	
E8	A80063030GP	ESCUTCHEON D	1	
E9	A80163030GP	CUSHION SPACER	1	
E10	A80343060GP	ESCUTCHEON BASE	1	
E11	A81263060GP	SMOKE PANEL	1	
E12	A82873030GP	SPACER A	1	
E13	A83423060GP	CUSHION RUBBER B	1	
E14	ANE0911000AB	CUSHION RUBBER B	1	