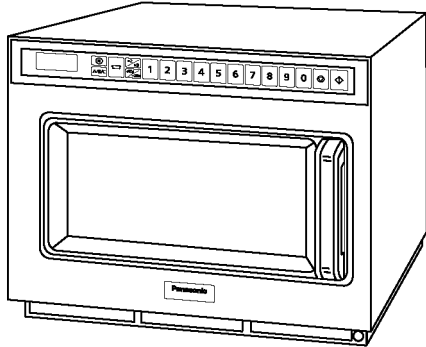


# Service Manual

Microwave Oven

Model No. **NE-1853QPQ**

Destination: Australia, New Zealand



## ⚠ WARNING

This service information is designed for experienced repair technicians only and is not designed for use by the general public. It does not contain warnings or cautions to advise non-technical individuals of potential dangers in attempting to service a product. Products powered by electricity should be serviced or repaired only by experienced professional technicians. Any attempt to service or repair the product or products dealt with in this service information by anyone else could result in serious injury or death.

## IMPORTANT SAFETY NOTICE

There are special components used in this equipment which are important for safety. These parts are marked by ⚠ in the Schematic Diagrams, Circuit Board Diagrams, Exploded Views and Replacement Parts List. It is essential that these critical parts should be replaced with manufacturer's specified parts to prevent shock, fire or other hazards. Do not modify the original design without permission of manufacturer.

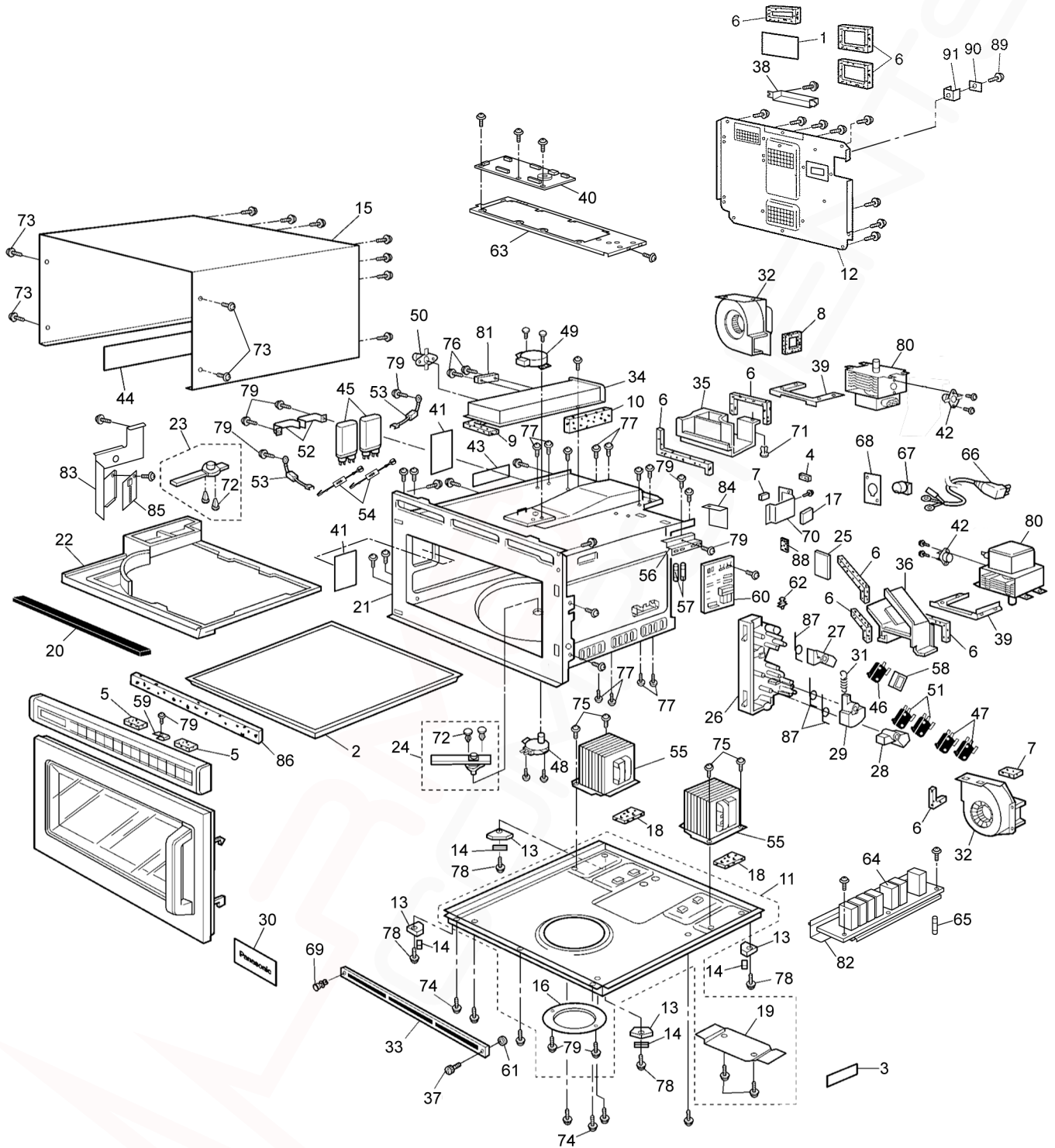
## TABLE OF CONTENTS

	PAGE
1 Safety Precautions-----	2
2 Specifications -----	2
3 Location of Controls and Components -----	3
4 Operating Instructions-----	4
5 Test Mode -----	16
6 Troubleshooting Guide-----	18
7 Disassembly and Assembly Instructions -----	20
8 Measurements and Adjustments-----	24
9 Wiring Connection Diagram -----	25
10 Schematic Diagram-----	26
11 Exploded View and Replacement Parts List -----	27

# 11 Exploded View and Replacement Parts List

## 11.1. Exploded view and parts list

NE-1853QPQ



(S-3E8-APH)

# PARTS LIST

NOTE 1: When ordering replacement part(s), please use part number(s) shown in this parts list.  
Do not use description of the part.

2: Important safety notice:

Components identified by  $\triangle$  mark have special characteristics important for safety.  
When replacing any of these components, use only manufacturer's specified parts.

3: Alphabet marks in Remarks columns (i.e. HNE etc) indicate parts applicable to only specified country models as follows.

**QPQ : Australia, New Zealand**

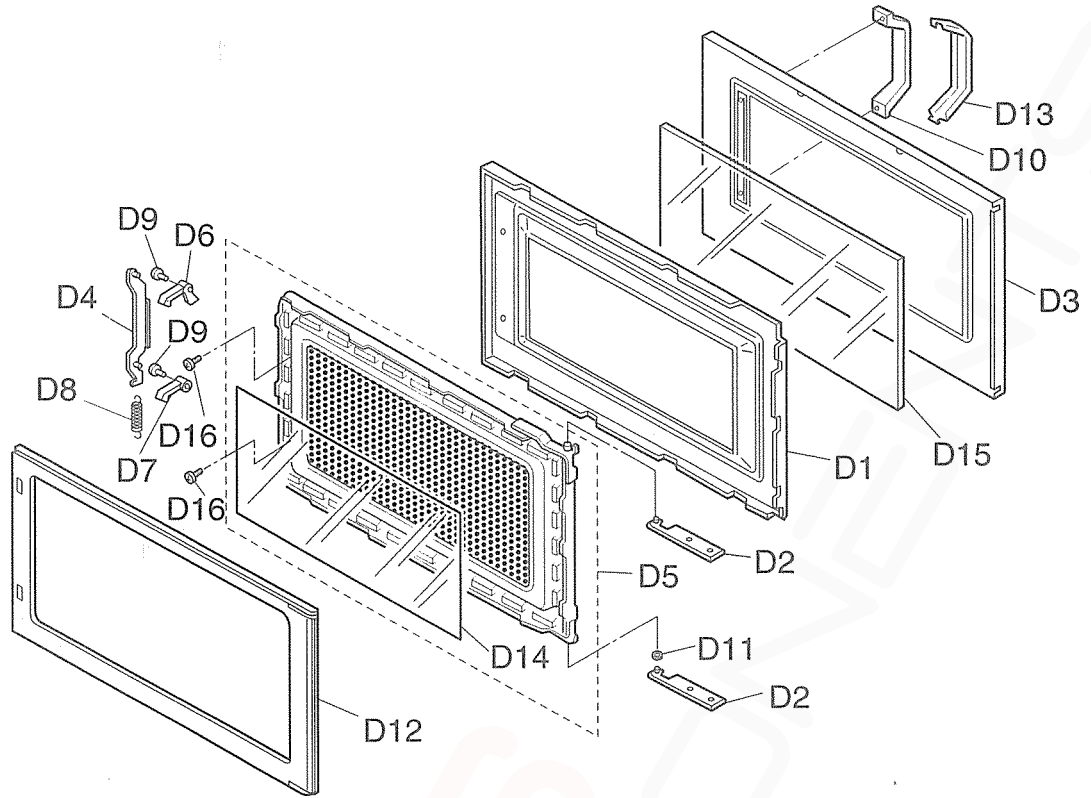
Parts without these marks can be used for all models.

NE-1853QPQ

Ref. No.	Safety	Part No.	Part Name & Description	Pcs/set	Remarks
1		A00063F90QP	CAUTION LABEL	1	
2		ANE010T8U0AP	SHELF	1	
3	$\triangle$	A00073F91QP	NAME PLATE	1	
4		ANE0901000CD	CUSHION RUBBER A	1	
5		ANE000Z000AD	CUSHION RUBBER C	5	
6		ANE000Z000AA	CUSHION RUBBER C	10	
7		ANE000Z000AD	CUSHION RUBBER C	4	
8		ANE000Z000AB	CUSHION RUBBER C	1	
9		ANE0962000AV	CUSHION RUBBER D	1	
10		ANE0962000AP	CUSHION RUBBER D	1	
11		A100A-3290	BASE	1	W/FOOT,RUBBER FOOT (NOTE 4)
12		A100Q3F90EU	BACK PANEL	1	
13		A1007-3280	FOOT	4	
14		A1008-3280	RUBBER FOOT	4	
15		A10093E80AP	CABINET BODY	1	
16		ANE10288U0AP	ANTENNA MOTOR COVER	1	
17		ANE10498U0AP	CUSHION RUBBER	1	
18		A10623E80AP	CUSHION RUBBER B	2	HVT
19		ANE11668U0AP	BASE METAL	1	
20		ANE11748U0AP	SPACER	1	
21	$\triangle$	A200A3F90EU	OVEN U	1	
22	$\triangle$	A2011-3280S	CEILING PLATE	1	
23		A202K-3850	ANTENNA UPPER (U)	1	
24		A202V3310GP	ANTENNA LOWER (U)	1	
25		ANE21208U0AP	SPACER	1	
26	$\triangle$	A3020-3850	DOOR HOOK	1	
27	$\triangle$	A3136-3470	HOOK SPACER A	1	
28	$\triangle$	A3138-3470	HOOK SPACER C	1	
29	$\triangle$	A3137-3850	HOOK SPACER B	1	
30		A31863F90BP	DOOR PANEL	1	
31		ANE32398U0AP	SPRING	1	
32		A400A3F90EU	FAN MOTOR	2	
33		A400B-3280	AIR FILTER FRAME	1	
34		A400K-3180	EXHAUST GUIDE	1	
35		ANE40258U0AP	AIR GUIDE A	1	UPPER
36		ANE40268U0AP	AIR GUIDE B	1	LOWER
37		A4091-3280	SCREW	1	FOR AIR FILTER FLAME
38		A41073980AP	EXHAUST GUIDE B	1	
39		ANE50328U0AP	MAGNETRON BRACKET	2	
40	$\triangle$	A603L3F90BP	D.P.CIRCUIT (U)	1	
41		ANE60408U0AP	OVEN LAMP SHEET	2	
42	$\triangle$	A61454210AP	THERMAL CUTOUT	2	FOR MAGNETRON
43		ANE60708U0BP	INSULATION SHEET A	1	
44		A60713310BP	INSULATION SHEET B	1	
45	$\triangle$	A63903330GPS	H.V.CAPACITOR	2	
46	$\triangle$	ANE61424L0AG	MICRO SWITCH	1	(V-16G-3C26) PRIMARY LATCH SWITCH
47	$\triangle$	ANE6142-F60	MICRO SWITCH	2	(V-15G-3C26) SECONDARY LATCH SWITCH
48		A6144-3E20	ANTENNA MOTOR	1	(3W) LOWER
49		A6144-3E10	ANTENNA MOTOR	1	(3W) UPPER
50	$\triangle$	A61454050AP	THERMAL CUTOUT	1	FOR OVEN
51	$\triangle$	ANE6161-3X0	MICRO SWITCH	2	(V-16G-1C25) SHORT SWITCH
52		ANE61888U0AP	CAPACITOR BRACKET	2	

Ref. No.	Safety	Part No.	Part Name & Description	Pcs/set	Remarks
53	△	A6202-3280	DIODE,SI	2	
54	△	A606V3F00APS	PROTECTOR DIODE	2	
55	△	A622B3F90EU	H.V. TRANSFORMER	2	
56		ANE62298U0AP	MOUNTING BRACKET	1	
57	△	A62304210BP	FUSE	2	10A
58		A62383230GP	SPACER	1	
59		ANE64086Q0AP	SCREW WASHER	1	
60		A603Y3F90BP	PCB D(U)	1	
61		A6408-3280	WASHER	1	FOR AIR FILTER FRAME
62		ANE65448U0AP	SPACER A	1	
63		A6585-3B10	P. C. B. HOLDER	1	
64	△	A608B3F90BP	PCB M(U)	1	
65		A65953700BP	FUSE B	1	2.5A
66	△	A900C3310QP	AC CORO W/PLUG	1	
67		ANE9027510RN	CORD BUSHING	1	
68		A90353060GP	CORD BRACKET	1	
69		ANE90828U0AP	CLIP (BLACK)	1	FOR AIR FILTER FRAME
70		ANE91448U0AP	BRACKET	1	
71		ANE91628U0AP	CLIP B	1	FOR AIR GUIDE A
72		ANE900T8V0AP	CLIP	4	FOR ANTENNA (U) ,ANTENNA B (U)
73		XTC4+10BC	SCREW	4	4X10 (FOR CABINET BODY)
74		XTN4+12QJ	SCREW (BLACK)	3	4X12 (FOR BASE)
75		XTEA5+10BJ	SCREW	4	5x10 (FOR H.V. TRANSFORMER)
76		XTWANE3+8EX	SCREW	2	3X8 (FOR TEMP SENSOR)
77		XYEA5+C16TJ	SCREW	8	5X16 (FOR MAGNETRON)
78		XTW3+8BJ	SCREW	4	3X8 (FOR FOOT)
79		XYD4+EE12FJ	SCREW	11	4X12 (FOR DIODE,CAPACITOR BRACKET,SPACER,MOUNTING BRACKET,EARTH,ANTENNA MOTOR COVER,BASE METAL)
80	△	2M210-MLJ3F	MAGNETRON	2	
81	△	A601L5150AP	TEMP SENSOR	1	
82	△	A692R3F90BP	RELAY BRACKET U	1	
83	△	A6603-3E10	LAMP BRACKET	1	
84	△	A61713A80BP	INSULATION SHEET D	1	
85	△	A605S3E20P4	PCB H(U)	1	
86		A8251-3180	SPACER	1	
87		ANE32628U0AP	SPRING	3	
88		ANE1062-8U0	CUSHION RUBBER B	1	AIR GUIDE B
89		XYE6+F20FJ	SCREW	1	BACK PANEL COVER
90		XWNANE65GV	WASHER	1	EARTH
91		A66623170GP	BRACKET	1	EARTH

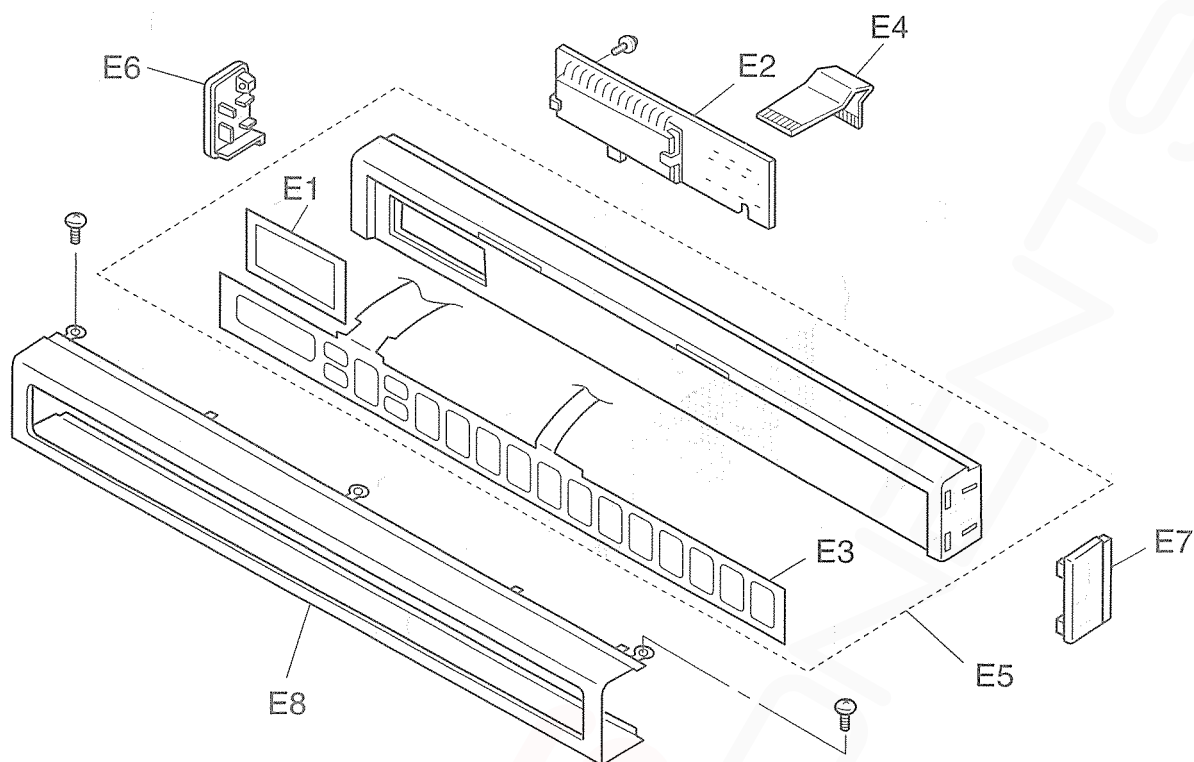
# DOOR ASSEMBLY



(S-331 QPQ)

Ref. No.	Safety	Part No.	Part Name & Description	Pcs/set	Remarks
D1		ANE30038U0AP	DOOR FRAME (U)	1	
D2	⚠	ANE30078U0AP	HINGE	2	
D3	⚠	ANE301A8U0AP	DOOR A	1	
D4		ANE301H-3850	DOOR KEY LEVER B	1	
D5	⚠	ANE301Q-3500	DOOR E (U)	1	
D6		ANE3018-3850	DOOR KEY	1	
D7		ANE3019-3850	DOOR KEY B	1	
D8		ANE30218U0AP	DOOR KEY SPRING	1	
D9		ANE30562Q0AP	HANDLE PIN	2	
D10		A30703170GP	HANDLE PEICE A	1	
D11		ANE3081P60AP	DOOR HINGE SPACER	1	
D12		ANE30858U0AP	DOOR C	1	
D13		ANE31348U0AP	HANDLE PEICE B	1	
D14	⚠	A3145-3500	DOOR SCREEN A	1	
D15		ANE31468U0AP	DOOR SCREEN B	1	
D16		XYEA4+C16TSJ	SCREW	2	4X16

**ESCUTCHEON BASE ASSEMBLY**  
**NE-1853QPQ**



(S-331 QPQ)

**NE-1853QPQ**

Ref. No.	Safety	Part No.	Part Name & Description	Pcs/set	Remarks
E1		A8016-3B10	SPACER	1	
E2		A603M-3B10	PC BOARD B (U)	1	
E3		A83373F90QP	ESCUTCHEON SHEET	1	
E4		A6590-3E20	FLAT CABLE	1	
E5		A800L3F90EU	ESCUTCHEON BASE U	1	
E6		A80023E20P3	ESCUTCHEON B	1	
E7		A80063E20P3	ESCUTCHEON D	1	
E8		ANE801N8U0AP	ESCUTCHEON A (U)	1	