

# Service Manual

Microwave Oven  
**NE-1457**  
**NE-1057**



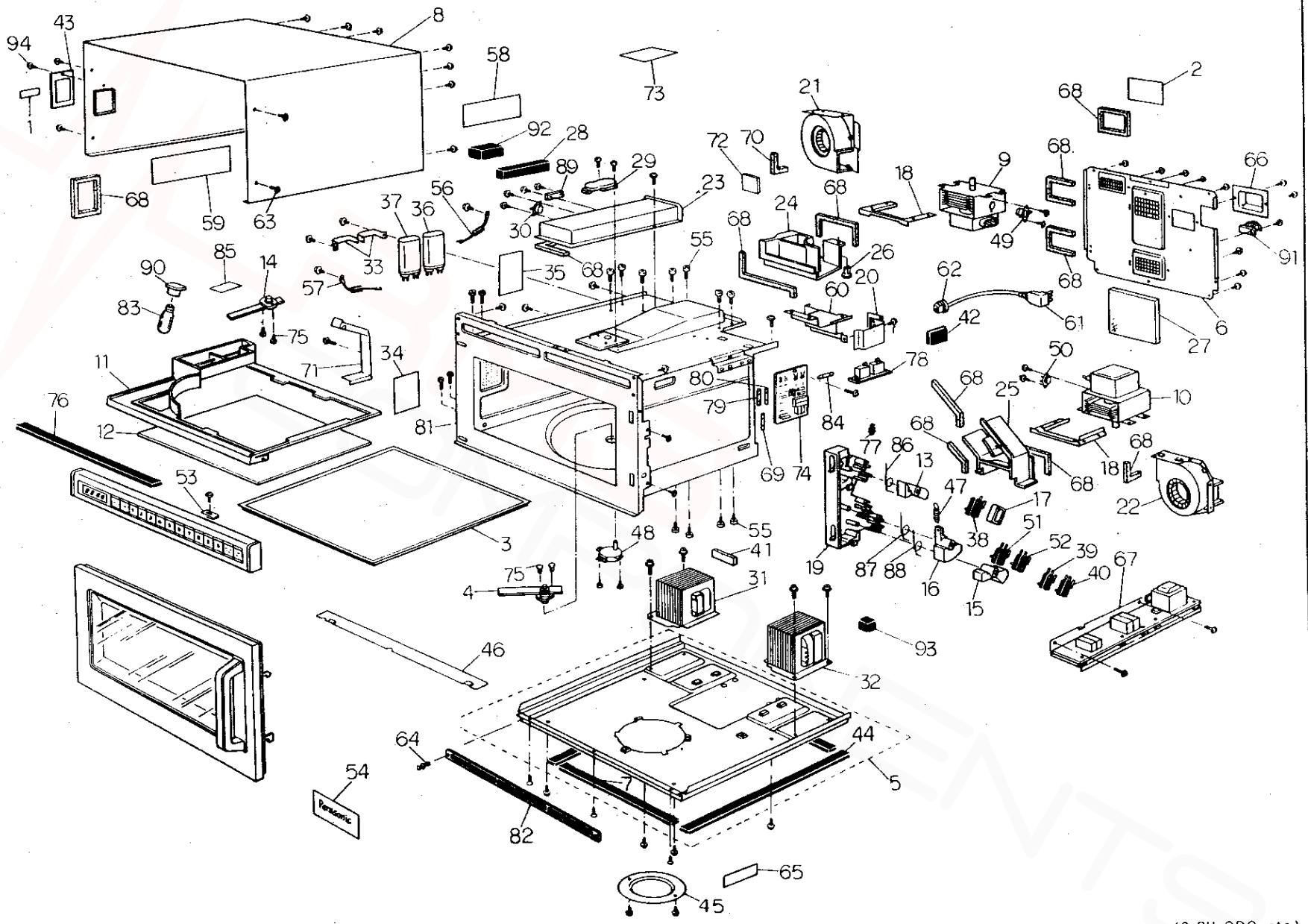
## Specifications

		NE-1457 QPQ	NE-1057 QPQ
Power Source :		240V AC, 50 Hz	240V AC, 50 Hz
Power Requirement :		2,790 W, 12.0 A	1,980 W, 8.7 A
High Frequency Output :	HIGH	1,400 W	1,000 W
	MED	700 W	500 W
	DEF	280 W	280 W
Oscillation Frequency :		2,450 MHz	
Timer :		15 min. ... HIGH and MED power for single stage. 30 min. ... DEF power for single stage.	
Outside Dimensions :		422 mm (W) × 508 mm (D) × 335 mm (H)	
Oven Cavity Dimensions :		330 mm (W) × 310 mm (D) × 175 mm (H)	
Weight :		31 kg	28 kg
Specifications subject to change without notice.			

# Panasonic

**Matsushita Electric Industrial Co., Ltd.**  
 Central P.O. Box 288, Osaka 530-91, Japan

EXPLODED VIEW

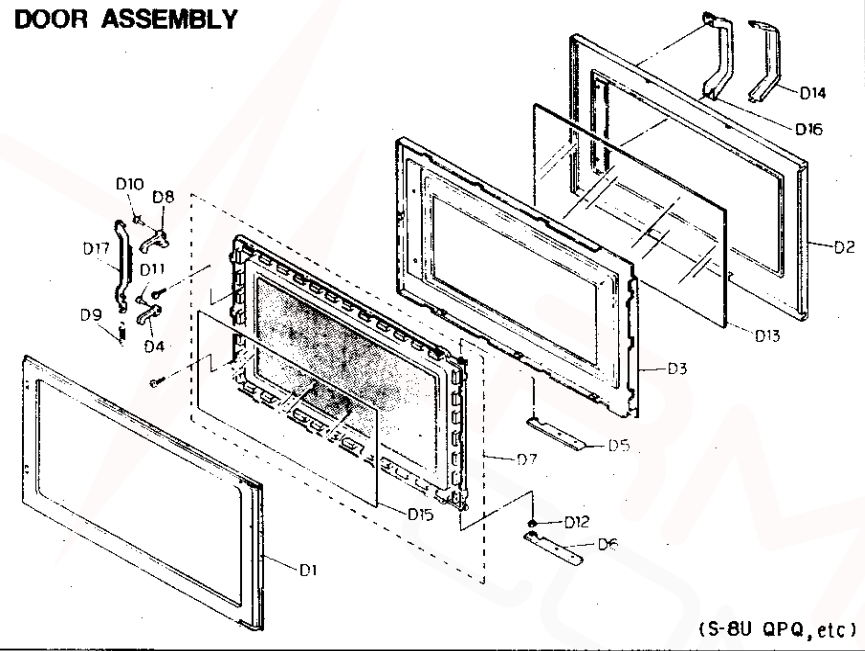


- 21 -

EXPLODED VIEW AND PARTS LIST

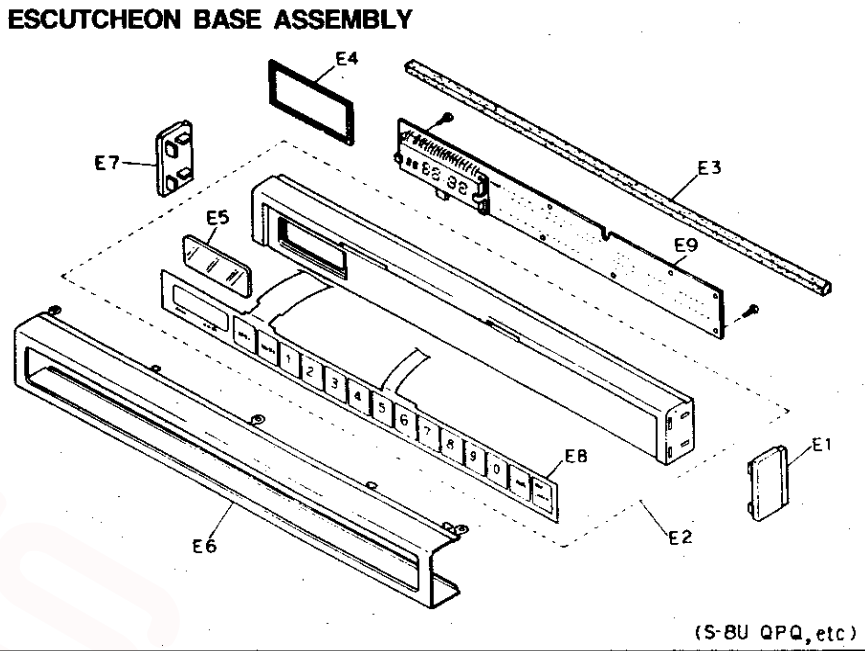
(S-8U QPQ, etc)

### DOOR ASSEMBLY



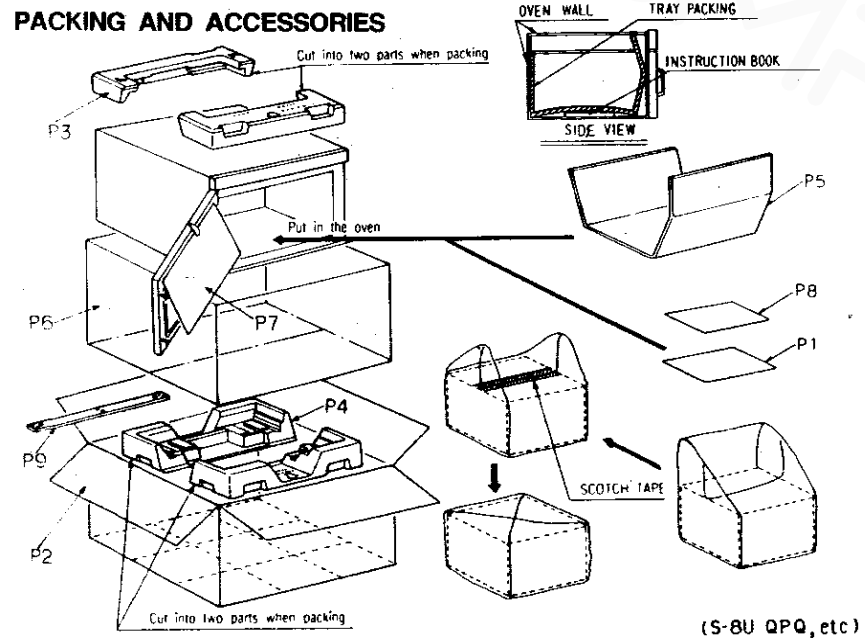
(S-8U QPQ, etc)

### ESCUTCHEON BASE ASSEMBLY



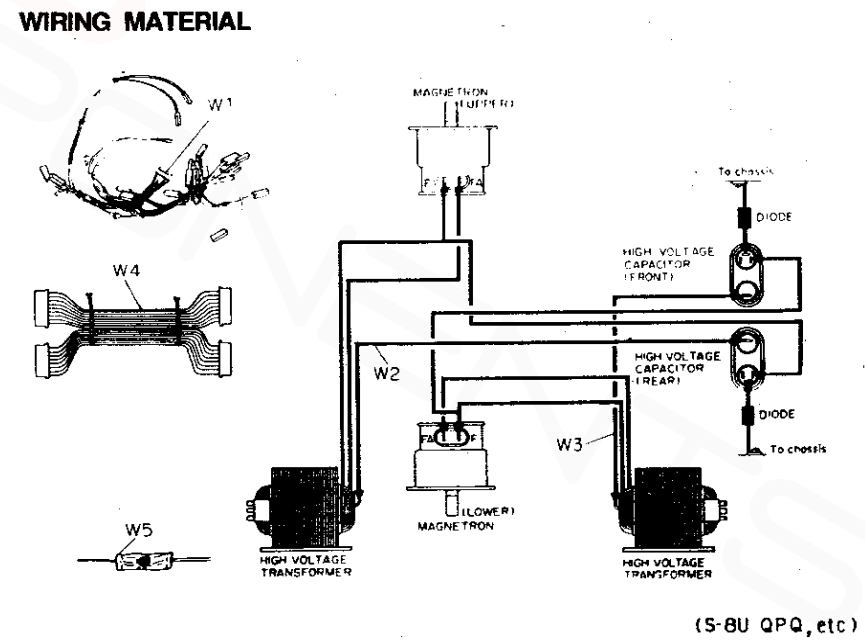
(S-8U QPQ, etc)

### PACKING AND ACCESSORIES



(S-8U QPQ, etc)

### WIRING MATERIAL



(S-8U QPQ, etc)

**PARTS LIST**

NOTE 1: When ordering replacement part(s), please use part number(s) shown in this parts list.

Do not use description of the part.

2: Important safety notice:

Components identified by  $\Delta$  mark have special characteristics important for safety.

When replacing any of these components, use only manufacturer's specified parts.

Ref. No.	Part No.	Part Name & Description	Pcs/Set	Remarks	Ref. No.	Part No.	Part Name & Description	Pcs/Set	Remarks
1	ANE0072L20AP	Oven lamp label	1		61	ANE900CP30QN	AC coad W/plug	1	NE-1457
2	A00065460JP	Warning label	1		62	ANE90272Q0BP	Cord bushing	1	NE-1057
3	ANE010T8U0AP	Shelf	1		62	ANE9027H00BP	Cord bushing	1	NE-1457
4	ANE202V8U0AP	Antenna B	1	(Moving antenna) (Lower)	63	XTC4+10BC	Screw 4X10	4	Cabinet body
5	ANE100A8U0AP	Base	1	(NOTE 3)	64	ANE90828U0BP	Clip	1	
6	ANE100Q8U0AP	Back panel	1		65	ANE00078U0QP	Name plate	1	NE-1057
7	ANE10088U0AP	Rubber foot	2		65	ANE00078V0QP	Name plate	1	NE-1457
8	ANE10098U0AP	Cabinet body assy	1		66	ANE11548U0AP	Back panel cover	1	
9,10	$\Delta$ 2M210-M1	Magnetron	2		67	ANE692M8U0BP	L.V.Transformer assy	1	
11	ANE20358U0AP	Ceiling plate rail A	1		68	ANE000Z000AA	Cushion rubber A	11	
12	$\Delta$ ANE20118U0AP	Ceiling plate	1		69	$\Delta$ ANE6595Q50GS	Fuse B	1	(1.25A)
13	ANE31368U0AP	Hook spacer A	1		70	ANE000Z000AB	Cushion rubber A	1	
14	ANE202K8U0AP	Antenna	1	(Moving antenna) (Upper)	71	ANE66058U0BP	Oven lamp cover A	1	
15	ANE31378U0AP	Hook spacer B	1		72	ANE21208U0AP	Spacer	1	
16	ANE31388U0AP	Hook spacer C	1		73	ANE02678V0AP	Caution label	1	
17	ANE6238X20AP	Spacer	2		74	ANE692Y8U0BP	Noise filter assy	1	
18	ANE50328U0AP	Magnetron bracket	1		75	ANE900T8V0AP	Clip	4	
19	$\Delta$ ANE30208U0AP	Door hook A	1		76	ANE11748U0AP	Spacer	1	
20	ANE91448U0SP	Bracket assy	1	NE-1057	77	ANE65448U0AP	Spacer A	1	
20	ANE91448U0BP	Bracket assy	1	NE-1457	78	ANE603M8V0AP	P.C.Board B assy	1	
21,22	ANE400A8U0BP	Fan motor	2		79,80	$\Delta$ ANE6230A20GN	Fuse	2	(10A)
23	ANE400K8U0AP	Exhaust guide	1		81	$\Delta$ ANE200A8U0BP	Oven assy	1	
24	ANE40258U0AP	Air guide A	1		82	ANE400B8U0AP	Air filter frame	1	
25	ANE40268U0AP	Air guide B	1		83	ANE603Q50GN	Oven lamp	1	(240V, 25W)
26	ANE91628U0AP	Clip B	1		84	$\Delta$ ANE6230P10GN	Fuse	1	(16A)
27	ANE41028U0AP	Air guide cushion A	1		85	ANE0072Z70GP	Oven lamp label	1	
28	ANE0911000AG	Cushion rubber B	1	NE-1457	86,87	ANE32628U0AP	Spring B	3	
29	ANE61448V0AP	Antenna motor	1	(3W) (Upper)	88				
30	A61454000AP	Thermal cutout	1	(For oven)	89	A601L4000AP	Temp sensor	1	(Thermal protector)
31,32	$\Delta$ ANE620A8U0BP	H.V.Transformer	2	NE-1057 (1.1KVA)	90	ANE61522Q0BP	Oven lamp socket	1	
31,32	$\Delta$ ANE620A8V0BP	H.V.Transformer	2	NE-1457 (1.5KVA)	91	ANE11408A0AG	Stopper A	1	
33	ANE61888U0AP	Capacitor bracket	2		92	ANE0914000DB	Cushion rubber B	1	NE-1457
34,35	ANE60408U0AP	Oven lamp sheet	2		93	ANE10498U0BP	Cushion rubber	1	NE-1457
36,37	$\Delta$ ANE6390-8U0	H.V.Capacitor	2	NE-1057 (0.69 $\mu$ F, AC2800V)	94	XTC4+10FC	Screw 4X10	1	Lamp cover
36,37	$\Delta$ ANE6390-8V0	H.V.Capacitor	2	NE-1457 (1.0 $\mu$ F, AC2800V)					
38,39,40	$\Delta$ ANE61424L0AG	Micro switch	3	Safety switch A, B (V-16G-3C26)					
41	ANE0911000MG	Cushion rubber B	1						
42	ANE10498U0AP	Cushion rubber	1						
43	ANE10268U0AP	Lamp cover	1						
44	ANE10948U0AP	Rubber foot B	2						
45	ANE10288U0AP	Antenna motor-cover	1						
46	ANE11268U0AP	Base metal	1						
47	ANE32398U0AP	Spring	1						
48	ANE61448U0AP	Antenna motor	1	(2.5W) (Lower)					
49,50	ANE61458U0AP	Thermal cutout	2	(For magnetron)					
51,52	$\Delta$ ANE61784L0AG	Micro switch	2	Short switch (V-16G-2C25)					
53	ANE64086Q0AP	Washer	1						
54	ANE31868U0AP	Door panel	1	NE-1057					
54	ANE31868V0AP	Door panel	1	NE-1457					
55	XYEANE5+C16T	Screw 5X16	8	Magnetron					
56,57	$\Delta$ A62024000AP	Diode	2	(Si)					
58	ANE60708U0BP	Insulation sheet A	1						
59	ANE60718U0BP	Insulation sheet B	1						
60	ANE61148V0AP	Bracket	1						
61	ANE900CQ90QN	AC coad W/plug	1	NE-1057					

<b>DOOR ASSEMBLY</b>									
D1	$\Delta$	ANE30858U0AP	Door C	1					
D2	$\Delta$	ANE301A8U0AP	Door A	1					
D3	$\Delta$	ANE30038U0AP	Window frame assy	1					
D4	$\Delta$	ANE30198U0AP	Door key B	1					
D5,6	$\Delta$	ANE30078U0AP	Hinge	2	(Upper, Lower)				
D7	$\Delta$	ANE301Q8U0AP	Door E assy	1					
D8	$\Delta$	ANE30188U0AP	Door key A	1					
D9	$\Delta$	ANE30218U0AP	Door key spring	1					
D10,11	$\Delta$	ANE30562Q0AP	Door key pin	2					
D12	$\Delta$	ANE3081P60AP	Door hinge spacer	1					
D13	$\Delta$	ANE31468U0AP	Door screen B	1					
D14	$\Delta$	ANE31348U0AP	Handle piece B	1					
D15	$\Delta$	ANE31458U0AP	Door screen A	1					
D16	$\Delta$	ANE30708U0AP	Door handle assy	1					
D17	$\Delta$	ANE301H8A0AG	Door key lever B	1					

NE-1457, NE-1057

Ref. No.	Part No.	Part Name & Description	Pcs/Set	Remarks
<b>ESCUTCHEON BASE ASSEMBLY</b>				
E1	ANE80068U0BP	Escutcheon D	1	
E2	ANE800L8U0AP	Escutcheon base assy	1	
E3	ANE82518U0AP	Escutcheon spacer	1	
E4	ANE83428U0AP	Cushion rubber B	1	
E5	ANE81268U0AP	Smoke panel	1	
E6	ANE80018U0AP	Escutcheon A	1	
E7	ANE80028U0BP	Escutcheon B	1	
E8	ANE64798U0AP	Membrane switch	1	
E9	ANE603L8U0BP	D.P.Circuit assy	1	NE-1057 (W/Component)
E9	ANE603L8V0BP	D.P.Circuit assy	1	NE-1457 (W/Component)
<b>PACKING AND ACCESSORIES</b>				
P1	ANE00038U0QP	Instruction book	1	
P2	ANE01028U0BP	Packing case, paper	1	NE-1057
P2	ANE01028V0BP	Packing case, paper	1	NE-1457
P3	ANE01048U0AP	Upper filler	1	
P4	ANE01058U0AP	Lower filler	1	
P5	ANE01088U0AP	Tray packing	1	
P6	A01065200AP	Vinyl cover	1	
P7	ANE01072Q0AP	Door sheet	1	
P8	ANE04208U0AP	Setting guide	1	
P9	ANE11348U0AP	Bracket	1	
<b>WIRING MATERIAL</b>				
W1	ANE030A8U0BP	Lead wire harness	1	
W2	ANE03508U0AP	Lead wire	1	
W3	ANE03518U0AP	Lead wire	1	
W4	ANE030H8U0BP	Lead wire	1	
W5	ANE604V820JN	Varistor	1	(NOTE 4)
<b>Ref.No. 67 L.V.Transformer assy</b>				
CN1	AEEEMMA1FF08W	9 pin connector	1	
CN3	AEEEMMA0FF08W	8 pin connector	1	
CN5	AEEEMMA04907W	7 pin connector	1	
CN6	AEEEMMA02506W	6 pin connector	1	
BZ1	AEFB24-4A15	Buzzer	1	
RY1,2	AEG5R51T18A	Power relay	2	(G5R5-A)
RY3,4	AEG5WA1ER18A	Power relay	2	(G5W-A)
T1	ANE62498U0BP	L.V.Transformer	1	(ETP43K119E)
T2,3	ANE66908U0BP	Current trans.	2	(ETP24C1C)
C2	ECEA1VU222QE	Capacitor	1	2200µF (±20%, 35V)
D33, 34,59, 60	MA195-(TA5)	Diode	4	(S)
ZD51, 52	AEDZ12ES1T1	Zener diode	2	(S)
F1	UN10004	Weak point element	1	
F2	ANE604K8U0BP	Weak point element	1	
	ANE61158U0AP	Bracket	1	
	ANE65448U0AP	Spacer A	6	
	ANE65458U0AP	Spacer B	2	
	XYN3+F25S	Screw 3X25	2	For L.V.Transformer

Ref. No.	Part No.	Part Name & Description	Pcs/Set	Remarks
<b>Ref.No. 78 P.C.Board B assy</b>				
CN3	AEEEMMA00703W	3 pin connector	1	
RY5,6	AEG5WA1ER18A	Power relay	2	(G5W-A)
D65,66	MA150-(FV)	Diode	2	(S)
ZD53, 54	AEDZ12EB18F	Zener diode	2	(S)
<b>Ref.No. 74 Noise filter assy</b>				
C101	ECQU2A104MN	Capacitor	1	0.1µF (±20%, 250V)
C102	ANE6169A20GN	Capacitor	2	0.022µF
103				
CN7	AEEEMMA1FF09W	9 pin connector	1	
CN8	AEEEMMA7FF11W	11 pin connector	1	
CN9	AEEEMMA24910W	10 pin connector	1	
D101, 102, 104	MA195-(TA)	Diode	3	(S)
D103, 105, 106	MA150-(FV)	Diode	3	(S)
L1	ANE621AZ70BP	Filter coil	1	
R101	ERD25FJ224S	Resistor	1	220kΩ (±5%, 1/4W)
RY7,8	AEAWAJR39069	Power relay	2	(JR1AF)
Z1	ERZC10DK621F	Varistor	1	
	ANE6231H60RN	Fuse holder	2	
	ANE6231Q50GN	Fuse holder	6	
	ERF15ZXJ240	Resistor	2	24Ω (±5%, 5W)
	ANE65448U0AP	Spacer A	1	

NOTE 3: Please order name plate together.  
4: This is assembled in lead wire harness (W1).